

BALDOR® • RELIANCE 

Product Information Packet

CDP3445

1HP,1750RPM,DC,56C,3435P,TEFC,F1,N

| Part Detail | | | | | | | |
|-------------|------|-------------|-------|----------------|----------|---------------|------------|
| Revision: | Z | Status: | PRD/A | Change #: | | Proprietary: | No |
| Type: | DC | Prod. Type: | 3435P | Elec. Spec: | 34WG3675 | CD Diagram: | CD0194 |
| Enclosure: | TEFC | Mfg Plant: | | Mech. Spec: | 34-5990 | Layout: | 34LY5990 |
| Frame: | 56C | Mounting: | F1 | Poles: | 00 | Created Date: | |
| Base: | RG | Rotation: | R | Insulation: | F | Eff. Date: | 01-03-2018 |
| Field Type: | | Literature: | | Elec. Diagram: | | Replaced By: | |

| Specs | | | |
|----------------------|-------------------------|--|--|
| Enclosure: | TEFC | | |
| Frame: | 56C | | |
| Frame Material: | Steel | | |
| XP Class and Group: | None | | |
| Agency Approvals: | CE | | |
| | CSA | | |
| | UR | | |
| | WEEE | | |
| Base Indicator: | Rigid | | |
| Bearing Grease Type: | Polyrex EM (-20F +300F) | | |
| Drip Cover: | No Drip Cover | | |
| Duty Rating: | CONT | | |
| Feedback Device: | NO FEEDBACK | | |
| Heater Indicator: | No Heater | | |
| Insulation Class: | F | | |
| Lifting Lugs: | No Lifting Lugs | | |

| | | | |
|---------------------------------------|--------------------|--|--|
| Motor Lead Quantity/Wire Size: | 2 @ 14 AWG, A | | |
| Motor Lead Exit: | Ko Box | | |
| Motor Lead Termination: | Flying Leads | | |
| Mounting Arrangement: | F1 | | |
| Product Family: | General Purpose | | |
| Pulley End Bearing Type: | Sealed Bearing | | |
| Shaft Extension Location: | Pulley End | | |
| Shaft Ground Indicator: | No Shaft Grounding | | |
| Shaft Rotation: | Reversible | | |
| Shaft Slinger Indicator: | No Slinger | | |
| Motor Standards: | NEMA | | |
| XP Division: | Not Applicable | | |

| | | | |
|--------------------------|----------------------------|----------|----------------------------|
| Nameplate NP0891L | | | |
| CAT.NO. | CDP3445 | | |
| SPEC. | 34-5990-3675 | | |
| HP | 1 | ENCL | TEFC |
| RPM | 1750 | | |
| FRAME | 56C | TYPE | 3435P |
| ARM V | 90 | ARM A | 10 |
| FLD V | | FLD A | |
| INSUL | F | AMB. | 40 |
| DUTY | CONT | SUPPLY | 1.5 |
| BRG/DE | 6203 | BRG/ODE | 6203 |
| BRUSHES | 2/BP5000BK08 | | |
| SER. | | BLANK | IP44 |
| BLANK | | | |
| APRV-CE | <input type="checkbox"/> Y | APRV-CSA | <input type="checkbox"/> Y |
| | | APRV-UL | <input type="checkbox"/> Y |

| Parts List | | |
|---------------|--|----------|
| Part Number | Description | Quantity |
| SA005235 | SA 34-5990-3675 | 1.000 EA |
| AA002884 | AA 34-5990-3675 | 1.000 EA |
| BP5000BK08SP | CARBON BRUSH - GRADE SA-35 | 1.000 EA |
| HA3210B66 | .125 DIA X .281 (AUTO) | 2.000 EA |
| 11XW1032G06 | 10-32 X .38, TAPTITE II, HEX WSHR SLTD U | 1.000 EA |
| 34EP3103B01 | FR ENDPLATE, MACH | 1.000 EA |
| WD4100A17 | PLUG STIMPSON D4036 | 1.000 EA |
| HW5100A03 | WAVY WASHER (W1543-017) | 1.000 EA |
| 34EP3300A29 | PU ENDPLATE, MACH | 1.000 EA |
| 51XN1032A20 | 10-32 X 1 1/4 HX WS SL SR | 2.000 EA |
| BP5201A11SP | BRUSH HOLDER ASSY W/BP4511A01 & BP3000A0 | 1.000 EA |
| 80XN1032A03 | 10-32 X 3/16 SET SCREW | 2.000 EA |
| 34FN3002A01SP | EXTERNAL FAN, PLASTIC, .637/.639 HUB W/ | 1.000 EA |
| 34FH5002A01SP | FAN COVER ASSY W/SHAFT COVER | 1.000 EA |
| 51XW1032A06 | 10-32 X .38, TAPTITE II, HEX WSHR SLTD S | 3.000 EA |
| WD4102A01 | SR-6L-1 HEYCO STRN RELIEF OR 23MPO6L10 M | 1.000 EA |
| 34CB4504SP | CONDUIT BOX LID, STAMPED | 1.000 EA |
| 34GS1011SP | GASKET, CONDUIT BOX LID | 1.000 EA |
| 51XW0832A07 | 8-32 X .44, TAPTITE II, HEX WSHR SLTD SE | 2.000 EA |
| HW2501D13 | KEY, 3/16 SQ X 1.375 | 1.000 EA |
| HA7000A04 | KEY RETAINER 0.625 DIA SHAFTS | 1.000 EA |
| HW3001B02 | BRASS CUP WASHER W/GROUND SYMBOL TAB, | 1.000 EA |
| MG1000G27 | MED CHARCOAL METALLIC GREY 400-0096 | 0.014 GA |
| MJ5004A70 | 603 LOCTITE LOCC | 0.001 EA |

| Parts List (continued) | | |
|-------------------------------|--|-----------------|
| Part Number | Description | Quantity |
| 85XU0407S04 | 4X1/4 U DRIVE PIN STAINLESS | 2.000 EA |
| ML14A1B14 | 14 AWG,A1,BLACK | 8.500 IN |
| ML14A2B14 | 14 AWG,A2,BLACK | 8.500 IN |
| MN416A01 | TAG-INSTAL-MAINT no wire (1200/bx) 5/18 | 1.000 EA |
| HA3100A37 | THRUBOLT 10-32 X 8.500 | 4.000 EA |
| LB1119N | WARNING LABEL | 1.000 EA |
| LC0194 | CONNECTION LABEL | 1.000 EA |
| NP0891L | NP STD LASER ENGRAVED DC MTRS, UL CSA CE | 1.000 EA |
| 35PA1007 | PKG GRP, PRINT PK1034A06 | 1.000 EA |

| Accessories | | |
|--------------------|---------------------------------|-------------------|
| Part Number | Description | Multiplier |
| TK3400 | TACHO MOUNTING KIT FOR TK3400 | A8 |
| TK3400-HPU | HPU10 MOUNTING KIT 34P/35P TEFC | |

DC Motor Performance Data

Record # 325 - Typical performance - not guaranteed values

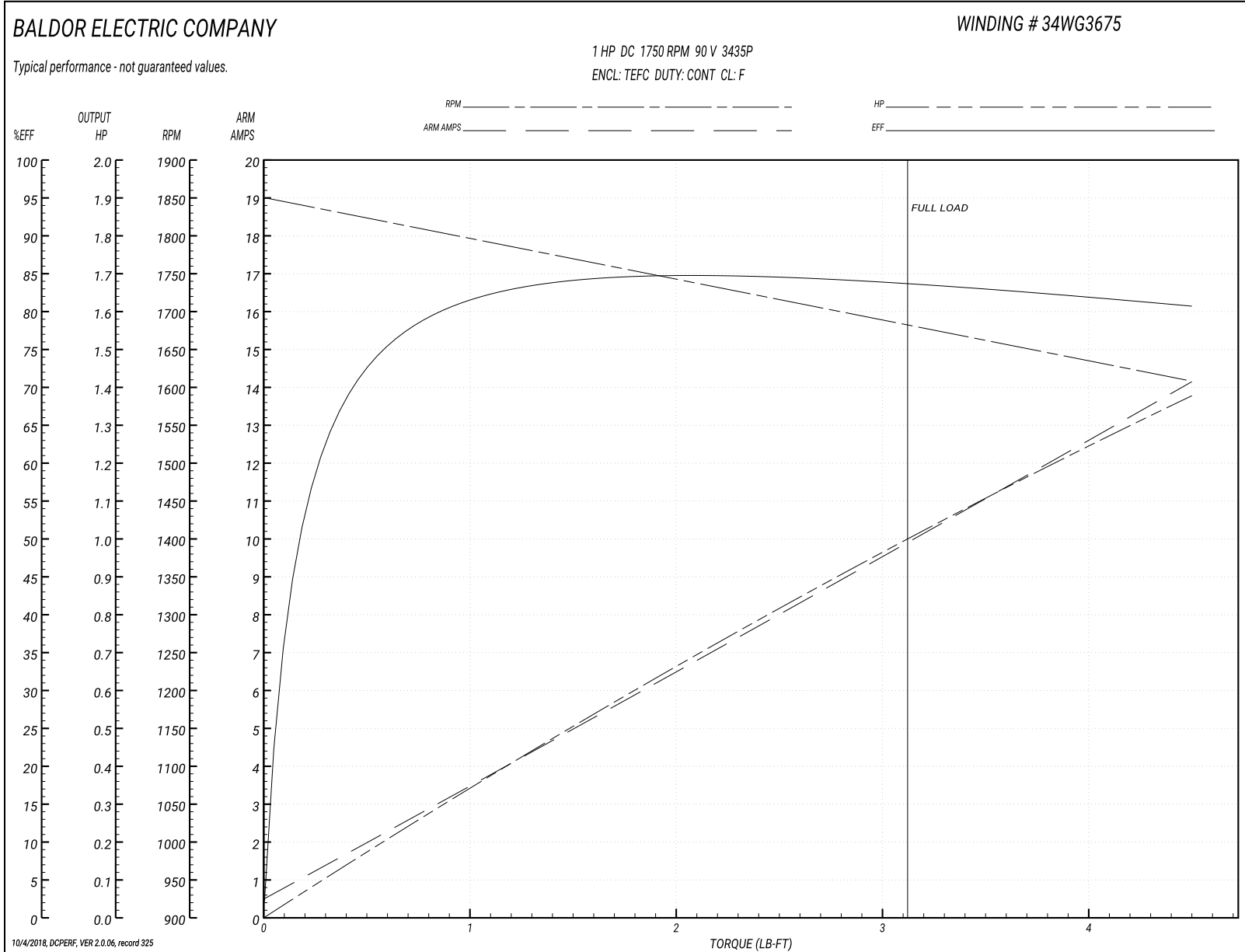
| | | |
|-------------------------------|--------------------|------------------------|
| Winding: 34WG3675-R001 | Type: 3435P | Enclosure: TEFC |
|-------------------------------|--------------------|------------------------|

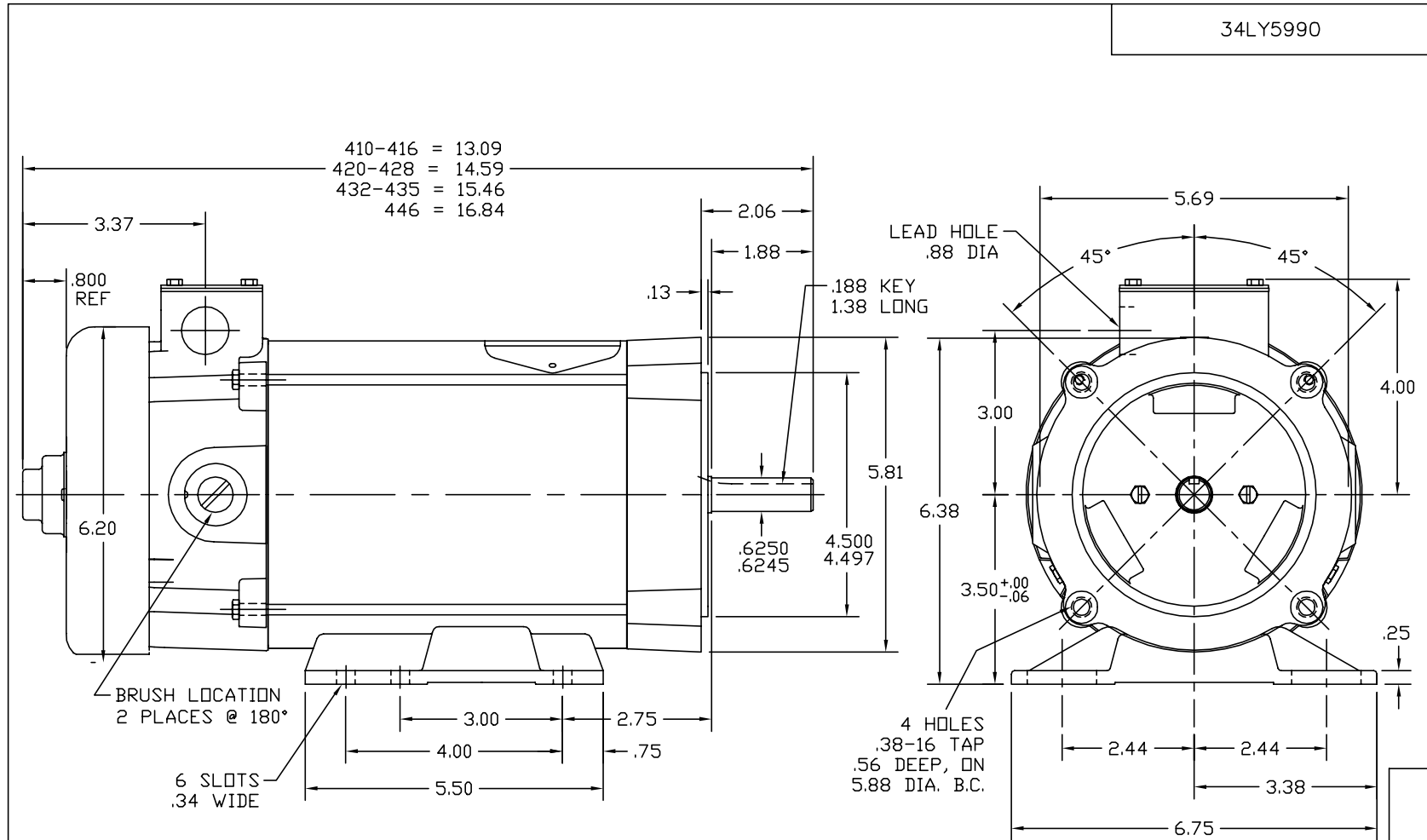
| Nameplate Data | | General Characteristics | |
|-------------------|--------------|----------------------------|---------|
| Rated Output (HP) | 1 | Armature Resistance @ 25°C | 0.537 Ω |
| R.P.M. | 1750 | | |
| Armature Volts | 90 | | |
| Armature Amps | 10 | | |
| Field Volts | | | |
| Field Amps | | | |
| Rating - Duty | 40C AMB-CONT | | |
| Form Factor | 1.5 | | |
| | | | |

Load Characteristics at 90 Armature Volts

| Load Point | 1 | 2 | 3 | 4 | 5 | 6 |
|------------------|------|------|------|------|------|------|
| Armature Amps | 0.5 | 5 | 7.2 | 9.65 | 11.7 | 14.2 |
| R.P.M. | 1853 | 1758 | 1727 | 1711 | 1642 | 1604 |
| Torque (LB-FT) | 0 | 1.5 | 2.25 | 3 | 3.75 | 4.5 |

Performance Graph at 90.0 Arm V, 1.0HP Typical performance - Not guaranteed values





CUSTOMER IS RESPONSIBLE FOR DETERMINING THAT BALDOR'S PRODUCT WILL PERFORM SUITABLY IN THE INTENDED APPLICATION.

| | | |
|-----------------------------|--------------------------------|-------------------|
| REV. DESC: UPDATE ALL PARTS | | |
| REV. LTR: M | VERSION: 01 | TDR: 000001053435 |
| FILE: \AAA\00020\929 | REVISED: 03: 38: 49 12/11/2017 | BY: ENERINO |
| MTL: - | | |

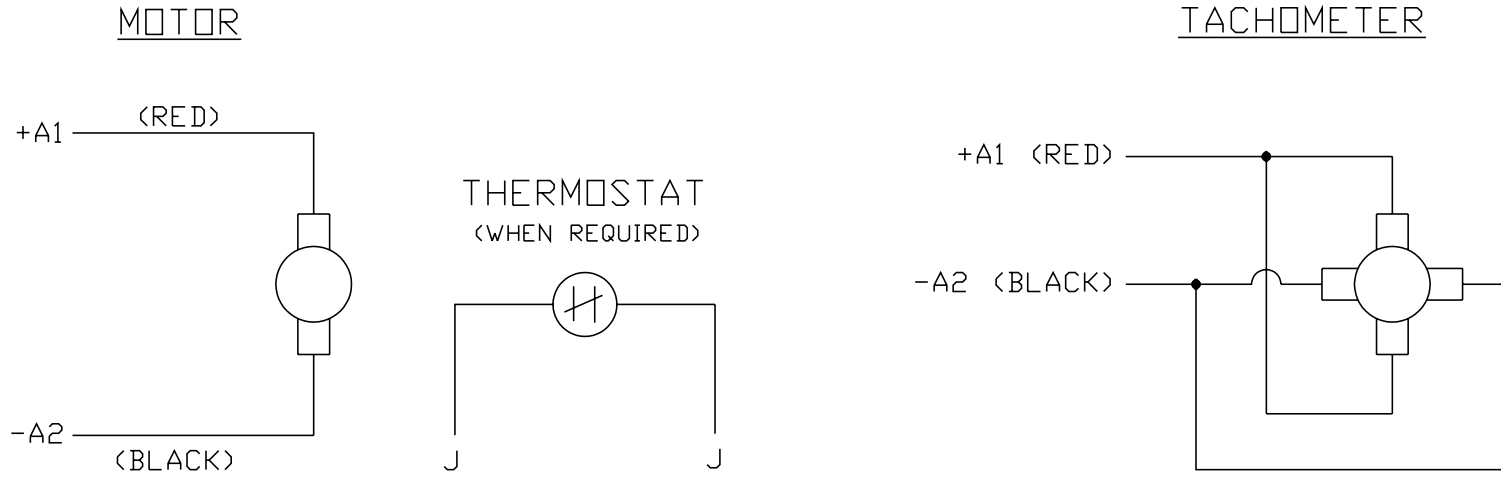
BALDOR

SPL HORZ "C" 34PM NEMA 56C TEFC W/M.F.T.K.

SH 1 of 1

34LY5990

CD0194



NOTES:

1. CCW ROTATION AS SHOWN FACING COMMUTATOR END. TO REVERSE MOTOR ROTATION OR TACHOMETER OUTPUT POLARITY INTERCHANGE LEADS A1(RED) & A2(BLACK)
2. LEAD COLORS FOR REFERENCE ONLY & NOT SPECIFIED BY THIS DRAWING. LEAD COLORS SPECIFIED BY LAYOUT DRAWING & BILL OF MATERIAL ONLY.

| | | | |
|---------|--|--------|-------------------|
| MATL: - | | | |
| REV: E | ADDED NOTE "LEAD COLORS FOR REFERENCE ONLY &..." | | |
| 761000 | SCALE: - | BY: CK | REVISED: 07/28/95 |
| | FILE: AAA00004503 | | TDR: 0078737 |

BALDOR ELECTRIC Co.

CD TYPE P DC PERMANENT MAGNET MOTORS AND TACHOMETERS

CD0194