

BALDOR® • RELIANCE 

Product Information Packet

CEM2333T

15HP, 1765RPM, 3PH, 60HZ, 254TC, 0944M, TEFC, F

| Part Detail | | | | | | | |
|-------------|--------|-------------|------------|-------------|--------|---------------|------------|
| Revision: | R | Status: | PRD/A | Change #: | | Proprietary: | No |
| Type: | AC | Elec. Spec: | 09WGZ910 | CD Diagram: | CD0005 | Mfg Plant: | |
| Mech. Spec: | 09C102 | Layout: | 09LYC102 | Poles: | 04 | Created Date: | 11-09-2012 |
| Base: | RG | Eff. Date: | 06-20-2018 | Leads: | 9#12 | | |

| Specs | | | |
|---------------------------------|-------------------------|--------------------------------|-----------------------|
| Catalog Number: | CEM2333T | Heater Indicator: | No Heater |
| Enclosure: | TEFC | Insulation Class: | F |
| Frame: | 254TC | Inverter Code: | Inverter Ready |
| Frame Material: | Iron | KVA Code: | H |
| Output @ Frequency: | 15.000 HP @ 60 HZ | Lifting Lugs: | Standard Lifting Lugs |
| Synchronous Speed @ Frequency: | 1800 RPM @ 60 HZ | Locked Bearing Indicator: | Locked Bearing |
| Voltage @ Frequency: | 460.0 V @ 60 HZ | Motor Lead Quantity/Wire Size: | 9 @ 12 AWG |
| | 230.0 V @ 60 HZ | Motor Lead Exit: | Ko Box |
| XP Class and Group: | None | Motor Lead Termination: | Flying Leads |
| XP Division: | Not Applicable | Motor Type: | 0944M |
| Agency Approvals: | UR | Mounting Arrangement: | F1 |
| | CSA EEV | Power Factor: | 83 |
| | CSA | Product Family: | General Purpose |
| Auxillary Box: | No Auxillary Box | Pulley End Bearing Type: | Ball |
| Auxillary Box Lead Termination: | None | Pulley Face Code: | C-Face |
| Base Indicator: | Rigid | Pulley Shaft Indicator: | Standard |
| Bearing Grease Type: | Polyrex EM (-20F +300F) | Rodent Screen: | None |
| Blower: | None | Shaft Extension Location: | Pulley End |

| | | | |
|---------------------------------------|---------------------------|------------------------------------|---------------------|
| Current @ Voltage: | 18.100 A @ 460.0 V | Shaft Ground Indicator: | No Shaft Grounding |
| | 36.200 A @ 230.0 V | Shaft Rotation: | Reversible |
| | 38.000 A @ 208.0 V | Shaft Slinger Indicator: | Shaft Slinger |
| Design Code: | A | Speed Code: | Single Speed |
| Drip Cover: | No Drip Cover | Motor Standards: | NEMA |
| Duty Rating: | CONT | Starting Method: | Direct on line |
| Electrically Isolated Bearing: | Not Electrically Isolated | Thermal Device - Bearing: | None |
| Feedback Device: | NO FEEDBACK | Thermal Device - Winding: | None |
| Front Face Code: | Standard | Vibration Sensor Indicator: | No Vibration Sensor |
| Front Shaft Indicator: | None | Winding Thermal 1: | None |
| | | Winding Thermal 2: | None |

Nameplate NP3441LUA

| | | | | | | | | |
|----------------------------|-------------------------------|--|----------------|------|-----|----|-------|---|
| CAT.NO. | CEM2333T | | | | | | | |
| SPEC | 09C102Z910G1 | | | | | | | |
| HP | 15 | | | | | | | |
| VOLTS | 230/460 | | | | | | | |
| AMPS | 36.2/18.1 | | | | | | | |
| RPM | 1765 | | | | | | | |
| FRAME | 254TC | | HZ | 60 | | PH | 3 | |
| SF | 1.15 | | CODE | H | DES | A | CLASS | F |
| NEMA NOM. EFF | 92.4 | | PF | 83 | | | | |
| RATING | 40C AMB-CONT | | | | | | | |
| CC | 010A | | USABLE AT 208V | | | 38 | | |
| ENCL | TEFC | | SER | | | | | |
| DE | 6309 | | ODE | 6208 | | | | |
| VPWM INVERTER READY | | | | | | | | |
| CT6-60H(10:1)VT3-60H(20:1) | | | | | | | | |
| | 50Hz 15HP 190/380V 43.2/21.6A | | | | | | | |
| | SF1.0 | | | | | | | |

| Parts List | | |
|--------------|--|----------|
| Part Number | Description | Quantity |
| SA254029 | SA 09C102Z910G1 | 1.000 EA |
| RA240840 | RA 09C102Z910G1 | 1.000 EA |
| HW1002A63 | 0ASHER, 5/8 HI-COLLAR SPRLCKWASHER | 1.000 EA |
| 09CB3002SP | CB W/1.38 LEAD HOLE FOR 37, 39, 307 & 30 | 1.000 EA |
| 09GS1000SP | GASKET-CONDUIT BOX, 1/16 THICK LEXIDE | 1.000 EA |
| 10XN2520K12 | 1/4-20 X.75 GRD 5 | 2.000 EA |
| HW1001A25 | LOCKWASHER 1/4, ZINC PLT .493 OD, .255 I | 2.000 EA |
| WD1000B16 | T&B CX70TN TERMINAL | 1.000 EA |
| 59XW2520G07 | .25-20X.44,HEX SER WSHR,TAPTITE 2,GREEN | 1.000 EA |
| 09EP1100A194 | ENDPLATE, MACH | 1.000 EA |
| 09EP1300A155 | PUEP MACH W/309 BRG & "O" DRAIN, SLINGER | 1.000 EA |
| HW4600B44 | V-RING SLINGER 1.500 X 1.810 X .28 VITON | 1.000 EA |
| HW1001A38 | LOCKWASHER 3/8, ZINC PLT .688 OD, .382 I | 4.000 EA |
| XY3816A12 | 3/8-16 FINISHED NUT | 4.000 EA |
| HW5100A08 | W3118-035 WVY WSHR (WB) | 1.000 EA |
| 10XN2520K28 | 1/4-20 X 1.75" HX HD SCRWGRADE 5, ZINC P | 2.000 EA |
| HW1001A25 | LOCKWASHER 1/4, ZINC PLT .493 OD, .255 I | 2.000 EA |
| 10XN2520K36 | 1/4-20 X 2.25" HX HD SCRWGRADE 5, ZINC P | 4.000 EA |
| HW1001A25 | LOCKWASHER 1/4, ZINC PLT .493 OD, .255 I | 4.000 EA |
| HA3113A02 | THRUBOLT 3/8-16 X 16.750 | 4.000 EA |
| HW1001A38 | LOCKWASHER 3/8, ZINC PLT .688 OD, .382 I | 4.000 EA |
| HA2081A05 | SPACER TUBE, 309 FAN HSG, 2.00 LONG | 4.000 EA |
| XY3816A12 | 3/8-16 FINISHED NUT | 4.000 EA |
| HW1001A38 | LOCKWASHER 3/8, ZINC PLT .688 OD, .382 I | 4.000 EA |

| Parts List (continued) | | |
|------------------------|--|----------|
| Part Number | Description | Quantity |
| 09CB3501SP | CONDUIT BOX LID FOR 09CB3001 & 09CB3002 | 1.000 EA |
| 09GS1013SP | 09 GS FOR 09CB3501 LID - LEXIDE | 1.000 EA |
| 51XW2520A12 | .25-20 X .75, TAPTITE II, HEX WSHR SLTD | 2.000 EA |
| HW2501G25 | KEY, 3/8 SQ X 2.875 | 1.000 EA |
| LB1115N | LABEL,LIFTING DEVICE (ON ROLLS) | 1.000 EA |
| HW4500A05 | 1669B ALEM/UNIV860 GR FTG X | 1.000 EA |
| HW4500A17 | 317400 ALEMITE GREASE RELIEF | 1.000 EA |
| HA4066A01 | PUSH IN T-DRAIN FITTING (BLACK) | 1.000 EA |
| MN416A01 | TAG-INSTAL-MAINT no wire (1200/bx) 5/18 | 1.000 EA |
| MJ1000A02 | GREASE, POLYREX EM EXXON (USe 4824-15A) | 0.080 LB |
| HA4051A00 | PLASTIC CAP FOR GREASE FITTING | 1.000 EA |
| HA4051A00 | PLASTIC CAP FOR GREASE FITTING | 1.000 EA |
| HW4500A03 | GREASE FITTING, .125 NPT 1610(ALEMITE) 8 | 1.000 EA |
| HW4500A17 | 317400 ALEMITE GREASE RELIEF | 1.000 EA |
| HA4066A01 | PUSH IN T-DRAIN FITTING (BLACK) | 1.000 EA |
| 09FH4000SP | FAN COVER, STAMPED | 1.000 EA |
| 09FN3001D01SP | EXTERNAL FAN, PLASTIC | 1.000 EA |
| HW2500A25 | WOODRUFF KEY USA #1008 #BLOW CARBON STEE | 1.000 EA |
| 51XB1214A20 | 12-14X1.25 HXWSSLD SERTYB | 1.000 EA |
| MG1000Y03 | MUNSELL 2.53Y 6.70/ 4.60, GLOSS 20, | 0.050 GA |
| 85XU0407S04 | 4X1/4 U DRIVE PIN STAINLESS | 2.000 EA |
| LC0005E02 | SPL CONN.DIA./WARN.LABEL(LC0005/LB1119) | 1.000 EA |
| NP3441LUA | ALUM SUPER-E VPWM INV READY UL CSA-EEV C | 1.000 EA |
| 09PA1000 | PACKAGING GROUP COMBINED PRINT | 1.000 EA |

| | | |
|------------|------------------|----------|
| FE-0000013 | ZRTG FE ASSEMBLY | 1.000 EA |
|------------|------------------|----------|

AC Induction Motor Performance Data

Record # 40347 - Typical performance - not guaranteed values

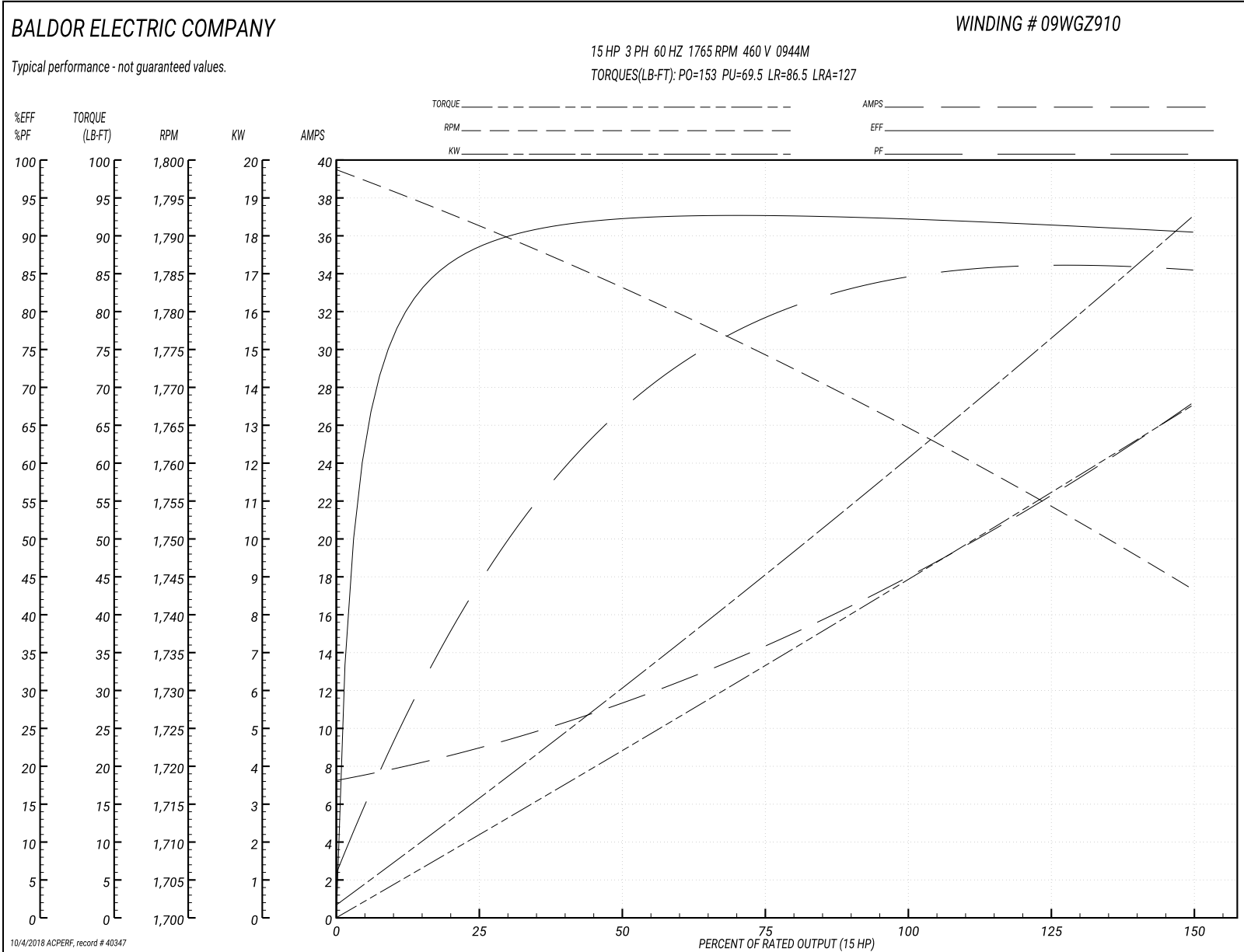
| | | |
|-------------------------------|--------------------|------------------------|
| Winding: 09WGZ910-R001 | Type: 0944M | Enclosure: TEFC |
|-------------------------------|--------------------|------------------------|

| Nameplate Data | | | | 460 V, 60 Hz: High Voltage Connection | |
|-----------------------|--------------|--------------|----|--|-------------------------|
| Rated Output (HP) | 15 | | | Full Load Torque | 44.5 LB-FT |
| Volts | 230/460 | | | Start Configuration | direct on line |
| Full Load Amps | 36.2/18.1 | | | Breakdown Torque | 153 LB-FT |
| R.P.M. | 1765 | | | Pull-up Torque | 69.5 LB-FT |
| Hz | 60 | Phase | 3 | Locked-rotor Torque | 86.5 LB-FT |
| NEMA Design Code | A | KVA Code | H | Starting Current | 127 A |
| Service Factor (S.F.) | 1.15 | | | No-load Current | 7.56 A |
| NEMA Nom. Eff. | 92.4 | Power Factor | 83 | Line-line Res. @ 25°C | 0.59555 Ω |
| Rating - Duty | 40C AMB-CONT | | | Temp. Rise @ Rated Load | 54°C |
| S.F. Amps | | | | Temp. Rise @ S.F. Load | 67°C |
| | | | | Locked-rotor Power Factor | 33.1 |
| | | | | Rotor inertia | 1.92 LB-FT ² |

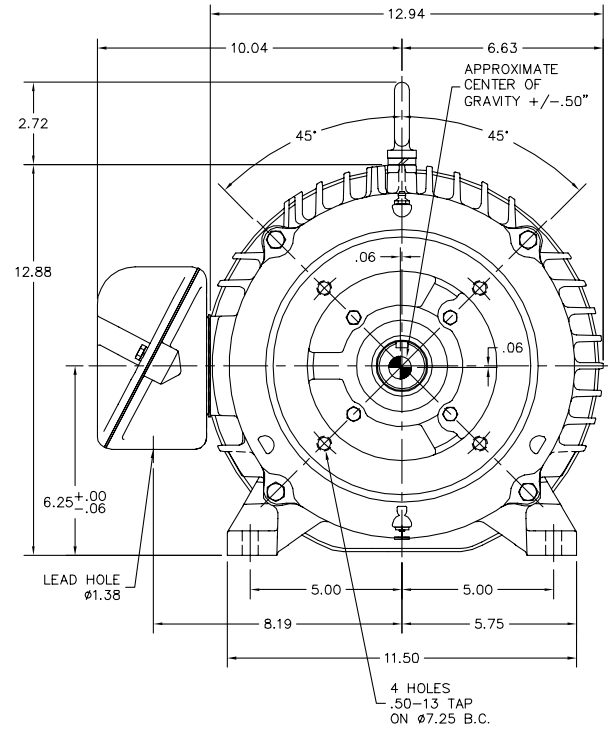
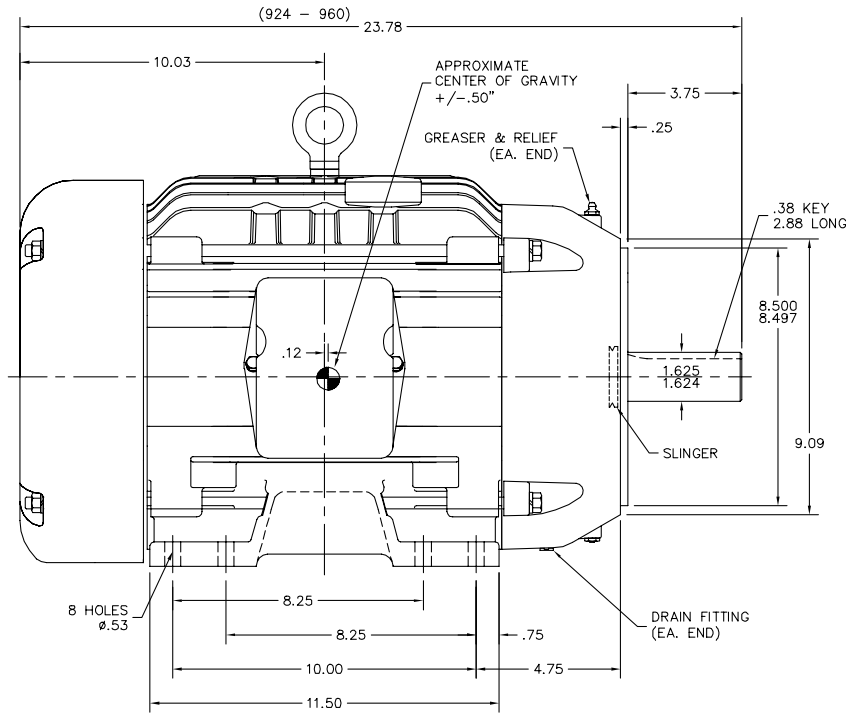
Load Characteristics 460 V, 60 Hz, 15 HP

| % of Rated Load | 25 | 50 | 75 | 100 | 125 | 150 | S.F. |
|-----------------|--------|--------|------|--------|--------|--------|------|
| Power Factor | 45 | 69 | 79 | 83 | 85 | 87 | 84 |
| Efficiency | 88.2 | 92.2 | 92.7 | 92.4 | 91.5 | 90.4 | 91.9 |
| Speed | 1791.3 | 1783.1 | 1774 | 1765.2 | 1754.6 | 1743.1 | 1759 |
| Line amperes | 8.62 | 11 | 14.5 | 18.1 | 22.6 | 26.9 | 20.8 |

Performance Graph at 460V, 60Hz, 15.0HP Typical performance - Not guaranteed values



09LYC102



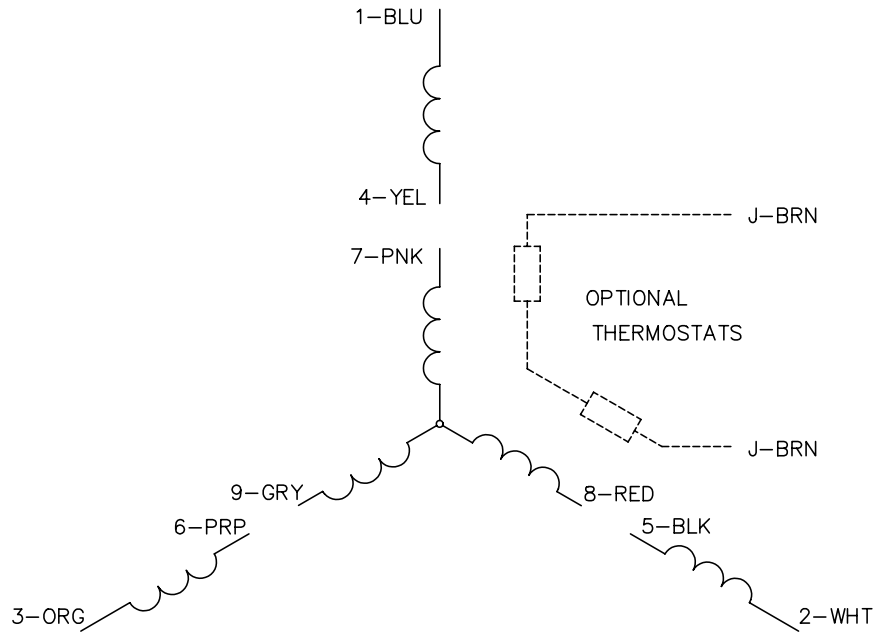
09LYC102

CUSTOMER IS RESPONSIBLE FOR DETERMINING THAT BALDOR'S PRODUCT WILL PERFORM SUITABLY IN THE INTENDED APPLICATION.

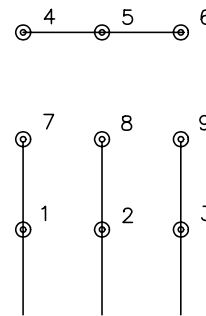
| | | |
|----------------------------|------------------------------|-------------------|
| REV. DESC: ADD TO 60 STACK | | |
| REV. LTR: S | VERSION: 08 | TDR: 000001046842 |
| FILE: \AAA\00000\419 | REVISED: 04:25:36 10/16/2017 | BY: ENBRISO |
| MTL: - | | |

BALDOR
HORZ TEFC 254-6TC
SH 1 of 1

CD0005

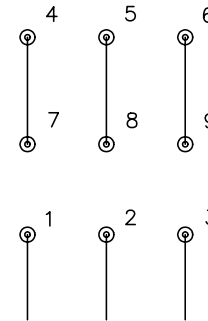


LOW VOLTAGE
(2Y)



LINE

HIGH VOLTAGE
(1Y)



LINE

NOTES:

1. INTERCHANGE ANY TWO LINE LEADS TO REVERSE ROTATION.
2. OPTIONAL THERMOSTATS ARE PROVIDED WHEN SPECIFIED.
3. ACTUAL NUMBER OF INTERNAL PARALLEL CIRCUITS MAY BE A MULTIPLE OF THOSE SHOWN ABOVE.
4. LEAD COLORS ARE OPTIONAL. LEADS MUST ALWAYS BE NUMBERED AS SHOWN.

REV. DESC: REVISE TO SHOW OPTIONAL COLORS

REV. LTR: E BY: JLP

REVISED: 01/19/99 10:15

TDR: 0171435

90000

FILE: AAA00005140

MDL: -

MTL: -

BALDOR ELECTRIC Co.

3PH, DV, 9 LEADS

CD0005

Marketing maintained PDF of MN416:

<http://www.baldor.com/support/Literature/Load.ashx/MN416?ManNumber=MN416>