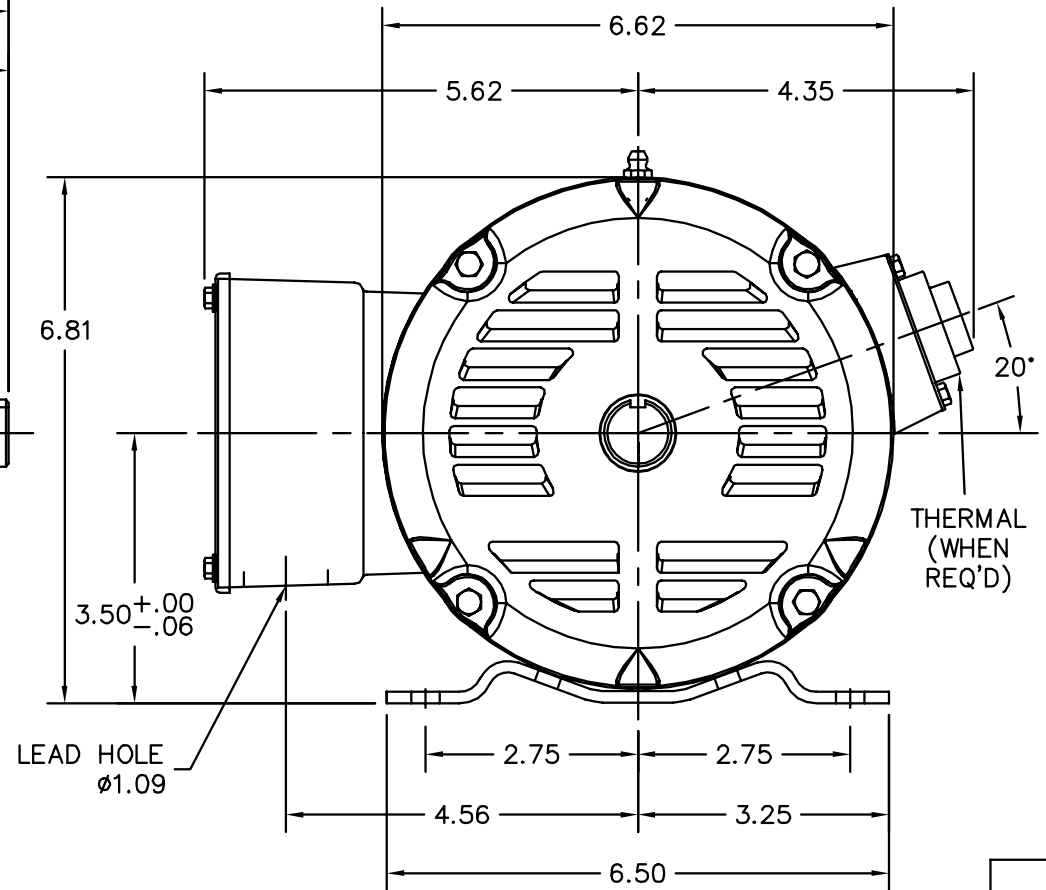
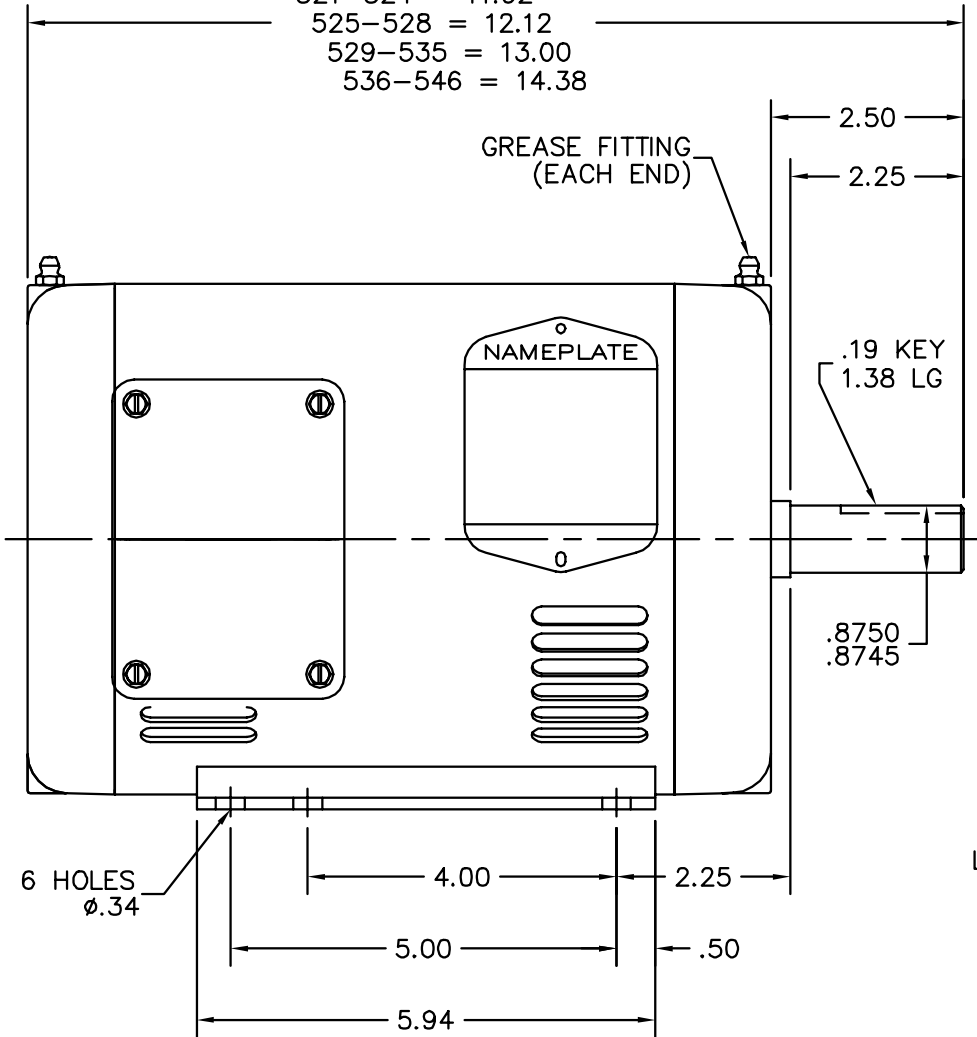



510-520 = 11.12
 521-524 = 11.62
 525-528 = 12.12
 529-535 = 13.00
 536-546 = 14.38



CUSTOMER IS RESPONSIBLE FOR DETERMINING THAT BALDOR'S PRODUCT WILL PERFORM SUITABLY IN THE INTENDED APPLICATION.

REV. DESC: REPLACE ENDPLATES		
REV. LTR: B	VERSION: 02	TDR: 000001041474
FILE: \AAA\00176\446	REVISED: 10: 41: 43 08/31/2017	BY: USJOBUR22
MTL: -		

BALDOR

STD HORZ 143-5T OPSB 35M W/1.09 LEAD HOLE

SH 1 of 1

35LYBB101