

3D PDF DATASHEET



eCATALOGsolutions



BIM catalogs.net



PARTsolutions



Create Your Individual 3D PDF Datasheet ▶

Learn How to Create Your Mechanical Product Catalog ▶

Learn How to Create Your BIM Product Catalog ▶

Reduce Your Costs in Engineering and Purchasing ▶

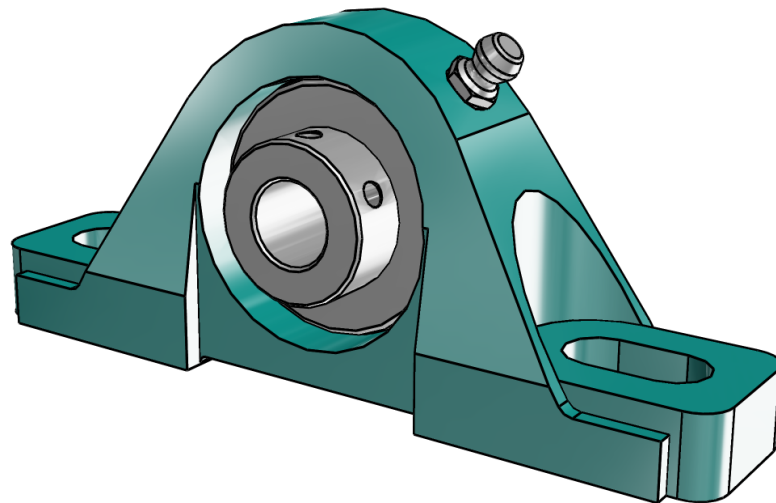
123830

SC Pillow Block Bearings -(Normal Duty)

BALDOR • DODGE

3D View

To activate the interactive 3D view, you must trust this document (see hint on the top) in Adobe Acrobat and click on the question mark.



Zoom

Moves you toward or away from objects in the scene when you drag vertically. You can also zoom with the hand tool by holding down Shift as you drag.

Pan

Moves the model vertically and horizontally only. You can also pan with the hand tool: Ctrl-drag.

Rotate

Turns 3D objects around relative to the screen. How the objects move depends on the starting view, where you start dragging and the direction in which you drag.

3D PDF DATASHEET



eCATALOGsolutions



BIM catalogs.net



PARTsolutions



Create Your Individual 3D PDF Datasheet



Learn How to Create Your Mechanical Product Catalog



Learn How to Create Your BIM Product Catalog



Reduce Your Costs in Engineering and Purchasing

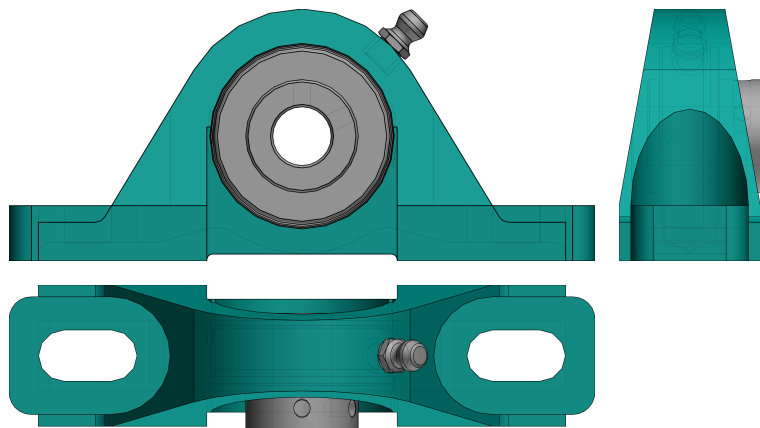


123830

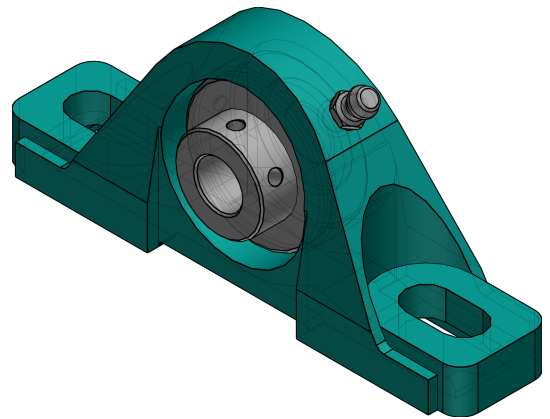
SC Pillow Block Bearings -(Normal Duty)

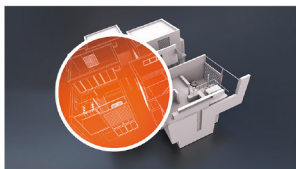


2D Derivation



ISO View





Create Your Individual 3D PDF Datasheet



Learn How to Create Your Mechanical Product Catalog



Learn How to Create Your BIM Product Catalog



Reduce Your Costs in Engineering and Purchasing



123830

SC Pillow Block Bearings -(Normal Duty)

Technical Data

SERIES (Series)	203
SS (Shaft Size / INCH)	1/2
PN (Part No.)	123830
DESCRIPTION (Description)	P2B-SC-008
WEIGHT (Weight / lbs)	1.1
LF (Lubrication Feature)	RE-LUBE
A (A / INCH)	1.00
B (B / INCH)	5.00
C (C / INCH)	1.20
DMIN (Dmin / INCH)	3.25
DMAX (Dmax / INCH)	4.06
F (Bolt Diameter / INCH)	3/8
G (G / INCH)	0.84
H (H / INCH)	0.47
J (J / INCH)	2.14
L (L / INCH)	0.96
M (M / INCH)	1.06
R (R / INCH)	0.36
S (S / INCH)	0.64
U (U / INCH)	2.25
V (V / INCH)	4.50
W (W / INCH)	0.38
X (X / INCH)	0.12

3D PDF DATASHEET



 eCATALOG solutions



 BIM catalogs.net



 PART solutions



Create Your Individual 3D PDF Datasheet ▶

Learn How to Create Your Mechanical Product Catalog ▶

Learn How to Create Your BIM Product Catalog ▶

Reduce Your Costs in Engineering and Purchasing ▶

123830

SC Pillow Block Bearings -(Normal Duty)



Bill of Materials

N°	Name	Description	Amount
1	assembly	123830	1
1.1	HOUSING	123830	1
1.2	INSERT	123328	1
1.3	GF203	405020c	1