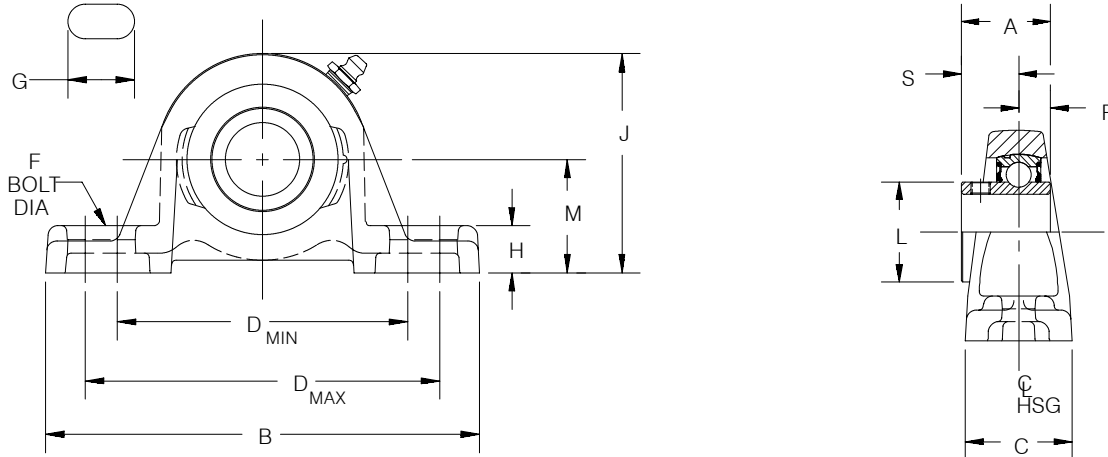


# SELECTION/DIMENSIONS

## Setscrew Ball Bearings

### SC AND SCU NORMAL DUTY PILLOW BLOCKS

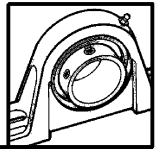


Series	Shaft Size	Relube		No-Lube/Sealed for Life (-NL)		With Flingers	
		Part Number	Description	Part Number	Description	Part Number	Description
203	1/2	<b>123830</b>	P2B-SC-008	@	P2B-SC-008-NL	@	P2B-SC-008-FF
	5/8	<b>123831</b>	P2B-SC-010	<b>126500</b>	P2B-SC-010-NL	<b>124575</b>	P2B-SC-010-FF
	17mm	<b>053170</b>	P2B-SC-17M	@	P2B-SC-17M-NL	@	P2B-SC-17M-FF
203 (SCU)	1/2	<b>123753</b>	P2B-SCU-008	@	P2B-SCU-008-NL	@	P2B-SCU-008FF
	5/8	<b>123754</b>	P2B-SCU-010	@	P2B-SCU-010-NL	@	P2B-SCU-010-FF
	17MM	<b>125850</b>	P2B-SCU-17M	@	P2B-SCU-17M-NL	@	P2B-SCU-17M-FF
204	1/2	<b>123835</b>	P2B-SC-008L	<b>052101</b>	P2B-SC-008L-NL	@	P2B-SC-008L-FF
	5/8	<b>123836</b>	P2B-SC-010L	@	P2B-SC-010L-NL	@	P2B-SC-010L-FF
	3/4	<b>123803</b>	P2B-SC-012	<b>052012</b>	P2B-SC-012-NL	<b>053256</b>	P2B-SC-012-FF
	20mm	<b>125851</b>	P2B-SC-20M	@	P2B-SC-20M-NL	@	P2B-SC-20M-FF
205	7/8	<b>123804</b>	P2B-SC-014	<b>126502</b>	P2B-SC-014-NL	@	P2B-SC-014-FF
	15/16	<b>123805</b>	P2B-SC-015	<b>126503</b>	P2B-SC-015-NL	<b>124029</b>	P2B-SC-015-FF
	1	<b>123806</b>	P2B-SC-100	<b>123824</b>	P2B-SC-100-NL	<b>123779</b>	P2B-SC-100-FF
	25mm	<b>125852</b>	P2B-SC-25M	@	P2B-SC-25M-NL	@	P2B-SC-25M-FF
206	1-1/16	<b>123807</b>	P2B-SC-101	<b>126504</b>	P2B-SC-101-NL	@	P2B-SC-101-FF
	1-1/8	<b>123808</b>	P2B-SC-102	<b>126505</b>	P2B-SC-102-NL	<b>125383</b>	P2B-SC-102-FF
	1-3/16	<b>123809</b>	P2B-SC-103	<b>123828</b>	P2B-SC-103-NL	<b>050270</b>	P2B-SC-103-FF
	1-1/4	<b>123170</b>	P2B-SC-104S	@	P2B-SC-104S-NL	@	P2B-SC-104S-FF
	30mm	<b>125853</b>	P2B-SC-30M	@	P2B-SC-30M-NL	@	P2B-SC-30M-FF
206 (SCU)	1-1/16	<b>123877</b>	P2B-SCU-101	@	P2B-SCU-101-NL	@	P2B-SCU-101-FF
	1-1/8	<b>123878</b>	P2B-SCU-102	@	P2B-SCU-102-NL	@	P2B-SCU-102-FF
	1-3/16	<b>123879</b>	P2B-SCU-103	<b>050837</b>	P2B-SCU-103-NL	@	P2B-SCU-103-FF
	1-1/4	<b>123894</b>	P2B-SCU-104S	@	P2B-SCU-104S-NL	@	P2B-SCU-104S-FF
	30mm	<b>125854</b>	P2B-SCU-30M	@	P2B-SCU-30M-NL	@	P2B-SCU-30M-FF
207	1-1/4	<b>123810</b>	P2B-SC-104	@	P2B-SC-104-NL	<b>123097</b>	P2B-SC-104-FF
	1-5/16	<b>123811</b>	P2B-SC-105	@	P2B-SC-105-NL	@	P2B-SC-105-FF
	1-3/8	<b>123812</b>	P2B-SC-106	<b>123781</b>	P2B-SC-106-NL	<b>054695</b>	P2B-SC-106-FF
	1-7/16	<b>123813</b>	P2B-SC-107	<b>123792</b>	P2B-SC-107-NL	<b>051571</b>	P2B-SC-107-FF
	3mm	<b>125855</b>	P2B-SC-35M	@	P2B-SC-35M-NL	@	P2B-SC-35M-FF

@ Assembled to order.

FEATURE/BENEFITS SETSCREW BALL BEARINGS PAGE B2-2	HOW TO ORDER/ NOMENCLATURE PAGE B2-4	SELECTION PAGE B2-5	
---------------------------------------------------------	--------------------------------------------	------------------------	--

# SELECTION/DIMENSIONS



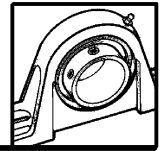
## Setscrew Ball Bearings

### SC AND SCU NORMAL DUTY PILLOW BLOCKS

Series	Shaft Size	Weight lbs. kgs.	A	B	C	D		F Bolt Dia.
						Min.	Max.	
203	1/2	1.1	1	5	1-7/32	3-1/4	4-1/16	3/8
	5/8	1.0	25.4	127.0	31.0	82.6	103.2	M10
	17mm	0.4						
203 (SCU)	1/2	1.2	1	5	1-7/32	3-1/4	4-1/16	3/8
	5/8	1.0	25.4	127.0	31.0	82.6	103.2	M10
	17MM	0.4						
204	1/2	1.6	1-5/32	5-1/4	1-11/32	3-3/8	4-3/16	3/8
	5/8	1.5						
	3/4	1.4	29.4	133.4	34.1	85.7	106.4	M10
	20mm	0.7						
205	7/8	1.8	1-3/16	5-1/2	1-13/32	4-1/4	4-1/2	3/8
	15/16	1.7						
	1	1.6	30.2	139.7	35.7	108.0	114.3	M10
	25mm	0.7						
206	1-1/16	2.8	1-25/64	6-1/4	1-3/4	4-1/4	5	1/2
	1-1/8	2.7						
	1-3/16	2.6	35.3	158.8	44.5	108.0	127.0	M12
	1-1/4	2.5						
	30mm	1.1						
206 (SCU)	1-1/16	2.9	1-25/64	6-1/4	1-3/4	4-1/4	5	1/2
	1-1/8	2.8						
	1-3/16	2.7	35.3	158.8	44.5	108.0	127.0	M12
	1-1/4	2.6						
	30mm	1.1						
207	1-1/4	4.5	1-17/32	6-1/2	1-3/4	4-11/16	5-7/16	1/2
	1-5/16	4.4						
	1-3/8	4.3	38.9	165.1	44.5	119.1	138.1	M12
	1-7/16	4.2						
	3mm	1.5						

Series	Shaft Size	G	H	J	L	M	R	S
203	1/2	27/32	15/32	2-5/32	31/32	1-1/16	0.359	0.641
	5/8	21.4	11.9	54.8	24.6	27.0	9.1	16.3
	17mm							
203 (SCU)	1/2	27/32	19/32	2-9/32	31/32	1-3/16	0.359	0.641
	5/8	21.4	15.1	57.9	24.6	30.2	9.1	16.3
	17MM							
204	1/2	27/32	17/32	2-9/16	1-1/8	1-5/16	0.422	0.734
	5/8							
	3/4	21.4	13.5	65.1	28.6	33.3	10.7	18.7
	20MM							
205	7/8	27/32	19/32	2-25/32	1-5/16	1-7/16	0.422	0.766
	15/16							
	1	21.4	15.1	70.6	33.3	36.5	10.7	19.4
206	1-1/16	15/16	11/16	3-1/4	1-37/64	1-5/8	0.484	29/32
	1-1/8							
	1-3/16	23.8	17.5	82.6	40.1	41.3	12.3	23.0
	1-1/4							
	30mm							
206 (SCU)	1-1/16	15/16	3/4	3-5/16	1-37/64	1-11/16	0.484	0.906
	1-1/8							
	1-3/16	23.8	19.1	84.1	40.1	42.9	12.3	23.0
	1-1/4							
	30mm							
207	1-1/4	15/16	23/32	3-3/4	1-27/32	1-7/8	0.500	1.031
	1-5/16							
	1-3/8	23.8	18.3	95.3	46.8	47.6	12.7	26.2
	1-7/16							
	35MM							

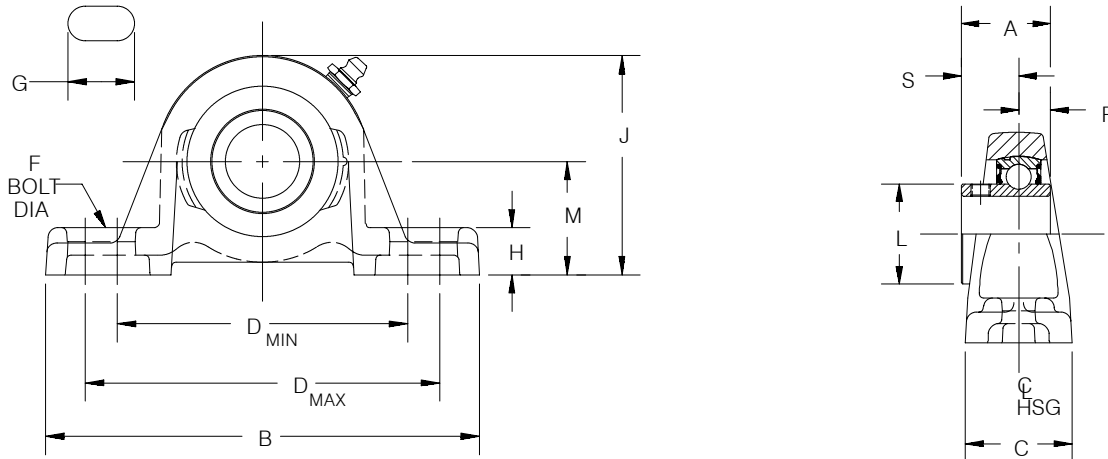
DIMENSIONS SC INSERTS PAGE B2-108	MODIFICATIONS PAGE B2-119	RELATED PRODUCTS PAGE B2-43	
-----------------------------------------	------------------------------	--------------------------------	--



## SELECTION/DIMENSIONS

### Setscrew Ball Bearings

#### SC AND SCU NORMAL DUTY PILLOW BLOCKS

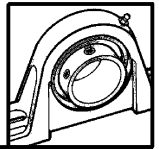


Series	Shaft Size	Relube		No-Lube/Sealed for Life (-NL)		With Flingers	
		Part Number	Description	Part Number	Description	Part Number	Description
208	1-1/2	<b>123814</b>	P2B-SC-108	<b>123829</b>	P2B-SC-108-NL	<b>125172</b>	P2B-SC-108-FF
	1-5/8	<b>123815</b>	P2B-SC-110	<b>126510</b>	P2B-SC-110-NL	<b>051996</b>	P2B-SC-110-FF
	40mm	@	P2B-SC-40M	@	P2B-SC-40M-NL	<b>053199</b>	P2B-SC-40M-FF
209	1-5/8	<b>125169</b>	P2B-SC-110L	@	P2B-SC-110L-NL	@	P2B-SC-110L-FF
	1-11/16	<b>123816</b>	P2B-SC-111	<b>123784</b>	P2B-SC-111-NL	@	P2B-SC-111-FF
	1-3/4	<b>123817</b>	P2B-SC-112	<b>123782</b>	P2B-SC-112-NL	<b>051896</b>	P2B-SC-112-FF
	45mm	<b>125857</b>	P2B-SC-45M	@	P2B-SC-45M-NL	<b>052259</b>	P2B-SC-45M-FF
210	1-15/16	<b>123818</b>	P2B-SC-115	<b>052982</b>	P2B-SC-115-NL	@	P2B-SC-115-FF
	2	<b>123819</b>	P2B-SC-200	<b>123774</b>	P2B-SC-200-NL	@	P2B-SC-200-FF
	50mm	<b>125858</b>	P2B-SC-50M	@	P2B-SC-50M-NL	@	P2B-SC-50M-FF
211	2	<b>126815</b>	P2B-SCM-200	<b>126547</b>	P2B-SCM-200-NL	<b>054581</b>	P2B-SCM-200-FF
	2-3/16	<b>123820</b>	P2B-SC-203	<b>123783</b>	P2B-SC-203-NL	@	P2B-SC-203-FF
	2-1/4	<b>123821</b>	P2B-SC-204	<b>126513</b>	P2B-SC-204-NL	<b>057335</b>	P2B-SC-204-FF
	55mm	<b>125859</b>	P2B-SC-55M	@	P2B-SC-55M-NL	@	P2B-SC-55M-FF
212	2-1/4	<b>126817</b>	P2B-SCM-204	@	P2B-SCM-204-NL	@	P2B-SCM-204-FF
	2-7/16	<b>123822</b>	P2B-SC-207	<b>123987</b>	P2B-SC-207-NL	@	P2B-SC-207-FF
	60mm	<b>125860</b>	P2B-SC-60M	@	P2B-SC-60M-NL	@	P2B-SC-60M-FF
214	2-1/2	<b>126819</b>	P2B-SCM-208	@	P2B-SCM-208-NL	@	P2B-SCM-208-FF
	2-11/16	<b>123839</b>	P2B-SC-211	@	P2B-SC-211-NL	@	P2B-SC-211-FF
	70mm	<b>125861</b>	P2B-SC-70M	<b>126548</b>	P2B-SC-70M-NL	@	P2B-SC-70M-FF
215	2-15/16	<b>123823</b>	P2B-SC-215	<b>123636</b>	P2B-SC-215-NL	@	P2B-SC-215-FF
	75mm	<b>125862</b>	P2B-SC-75M	@	P2B-SC-75M-NL	@	P2B-SC-75M-FF
215 (SCU)	2-15/16	<b>123728</b>	P2B-SCU-215	@	P2B-SCU-215-NL	<b>054264</b>	P2B-SCU-215-FF
	75mm	<b>052792</b>	P2B-SCU-75M	@	P2B-SC7-75M-NL	@	P2B-SCU-75M-FF
218	90mm	<b>052794</b>	P2B-SC-90M	@	P2B-SC-90M-NL	@	P2B-SC-90M-FF

@Assembled to order

FEATURE/BENEFITS SETSCREW BALL BEARINGS PAGE B2-2	HOW TO ORDER/ NOMENCLATURE PAGE B2-4	SELECTION PAGE B2-5	
---------------------------------------------------------	--------------------------------------------	------------------------	--

# SELECTION/DIMENSIONS



## Setscrew Ball Bearings

### SC AND SCU NORMAL DUTY PILLOW BLOCKS

Series	Shaft Size	Weight lbs. kgs	A	B	C	D		F Bolt Dia.
						Min.	Max.	
208	1-1/2	5.4	1-11/16	7-1/4	1-15/16	5-3/16	5-7/8	1/2
	1-5/8	5.3						
	40mm	2.2	42.9	184.2	49.2	131.8	149.2	M12
209	1-5/8	6.6	1-23/32	7-7/16	2	5-1/2	6-3/16	1/2
	1-11/16	6.4						
	1-3/4	6.2						
	45mm	2.2	43.7	188.9	50.8	139.7	161.9	M12
210	1-15/16	7.2	1-3/4	8-1/8	2-1/4	6	6-11/16	5/8
	2	7.0						
	50mm	2.6	44.5	206.4	57.2	152.4	169.9	M16
211	2	9.0	1-27/32	8-7/8	2-5/16	6-3/8	7-7/16	5/8
	2-3/16	8.9						
	2-1/4	8.8						
	55mm	3.3	46.8	225.4	58.7	161.9	188.9	M16
212	2-1/4	10.8	1-63/64	9-1/2	2-3/8	6-7/8	7-15/16	5/8
	2-7/16	10.2						
	60mm	4.2	50.4	241.3	60.3	174.6	201.6	M16
214	2-1/2	15.5	2-15/64	10-3/4	2-11/16	7-1/2	8-1/2	3/4
	2-11/16	15.0						
	70mm	6.9	56.8	273.1	68.3	190.5	215.9	M18
215	2-15/16	20.5	2-9/32	11-3/4	2-7/8	8-1/2	9-1/2	7/8
	75mm	7.9	57.9	298.5	73.0	215.9	241.3	M22
215 (SCU)	2-15/16	20.7	2-9/32	11-3/4	2-7/8	8-1/2	9-1/2	7/8
	75mm	8.0	57.9	298.5	73.0	215.9	241.3	M22
218	90mm	13.6	63.1	355.6	85.7	261.9	295.3	M22

Series	Shaft Size	G	H	J	L	M	R	S
208	1-1/2	29/32	15/16	4-3/16	2-3/64	2-1/8	0.594	1.094
	1-5/8							
	40mm	23.0	23.8	106.4	52.0	54.0	15.1	27.8
209	1-5/8	29/32	3/4	4-9/32	2-7/32	2-1/8	0.594	1.125
	1-11/16							
	1-3/4							
	45mm	23.0	19.1	108.7	56.4	54.0	15.1	28.6
210	1-15/16	1-1/32	3/4	4-17/32	2-7/16	2-1/4	0.594	1.156
	2							
	50mm	26.2	19.1	115.1	61.9	57.2	15.1	29.4
211	2	1-7/32	7/8	4-31/32	2-23/32	2-1/2	0.625	1.219
	2-3/16							
	2-1/4							
	55mm	31.0	22.2	126.2	69.1	63.5	15.9	31.0
212	2-1/4	1-7/32	7/8	5-13/32	2-31/32	2-3/4	0.672	1.313
	2-7/16							
	60mm	31.0	22.2	137.3	75.4	69.9	17.1	33.3
214	2-1/2	1-5/16	15/16	6-3/32	3-5/16	3	0.797	1.438
	2-11/16							
	70mm	33.3	23.8	154.8	84.1	76.2	20.2	36.5
215	2-15/16	1-7/16	1	6-3/4	3-5/8	3-1/2	0.813	1.469
	75mm	36.5	25.4	171.5	92.1	88.9	20.6	37.3
215 (SCU)	2-15/16	1-7/16	3/4	6-1/2	3-5/8	3-1/4	0.813	1.469
	75mm	36.5	19.1	165.1	92.1	82.6	20.6	37.3
218	90mm	40.5	33.3	203.2	110.7	101.6	23.4	39.7

DIMENSIONS SC INSERTS PAGE B2-108	MODIFICATIONS PAGE B2-119	RELATED PRODUCTS PAGE B2-43	
-----------------------------------------	------------------------------	--------------------------------	--