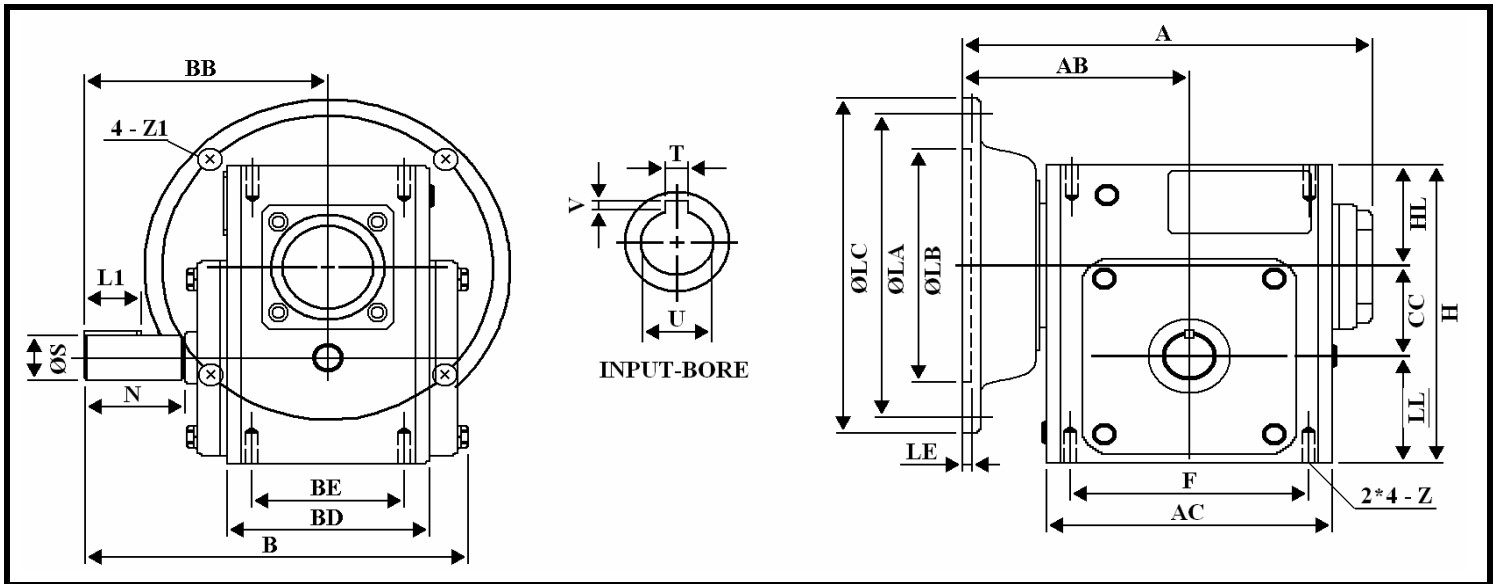
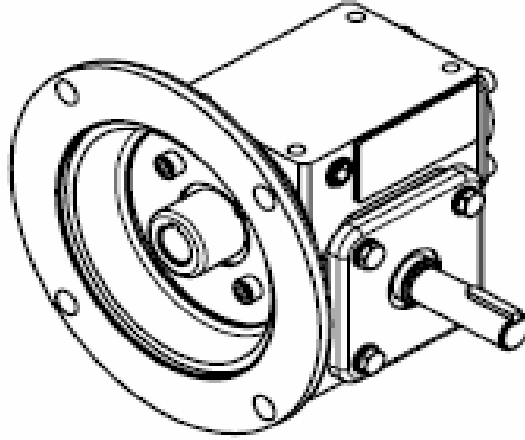


WORLDWIDE ELECTRIC CORPORATION
HdR SERIES PROGRAM - WORM GEAR SPEED REDUCERS
FLANGE INPUT - SHAFT OUTPUT - DIMENSIONS

MODEL # HdRF133-*-R-56C



RIGHT HAND OUTPUT - DIMENSIONS - Inches

Size	A	AB	AC	B	BB	BD	BE	CC	F	H	HL	LL	N	Z
133	5.99	3.386	3.78	6.067	4	2.835	2	1.333	3.25	4.656	1.605	1.718	2	5/16-18 UNC

Size	INPUT BORE		OUTPUT SHAFT			FLANGE					NEMA FRAME	OIL (OZ.)
	U	T*V	L1	S	W*Y	LA	LB	LC	LE	Z1		
133	0.625	3/16 * 3/32	1	0.625	3/16 * 3/32	5.875	4.5	6.496	0.157	0.433	56C	5.82

* Suitable For Any Ratio

