



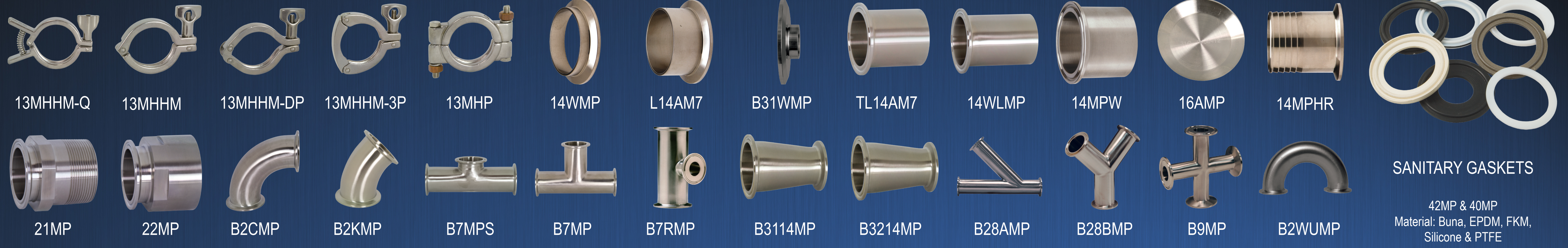
DIXON SANITARY

The Right Connection®

Material: 304 & 316L Stainless Steel

Clamp Fittings

Sizes: 1/2" - 12" OD Tube



Material: 304 & 316L Stainless Steel

Weld Fittings - Polished & Unpolished

Sizes: 1/2" - 12" OD Tube



Material: 304 & 316L Stainless Steel

Bevel Seat Fittings

Sizes: 1" - 4" OD Tube



Material: 304 & 316L Stainless Steel

I-Line/Q-Line

John Perry

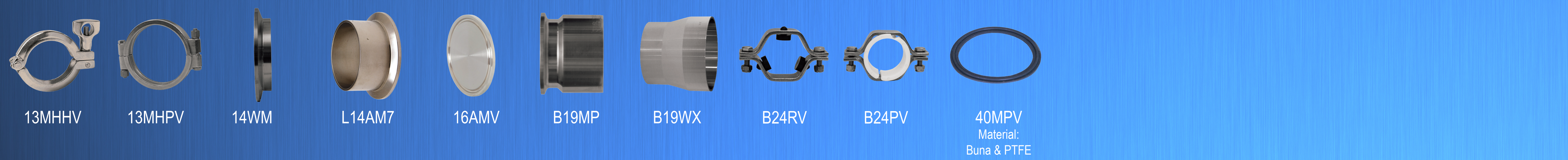
Sizes: 1" - 4" OD Tube



Material: 304 & 316L Stainless Steel

Pipe Fittings - Schedule 5 (V) & 10 (X)

Sizes: 1" - 4" Nominal Pipe



Material: 304 & 316L Stainless Steel

European Fittings DIN-SMS-RJT

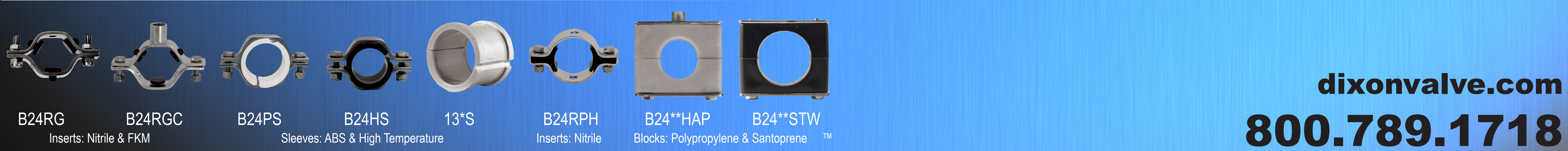
Sizes: 1" - 4" OD Tube



Material: Base - 304 Stainless Steel

Tube Hangers

Sizes: 1/2" - 12" OD Tube



dixonvalve.com
800.789.1718