

BALDOR® • RELIANCE 

Product Information Packet

EM3714T

10HP,1770RPM,3PH,60HZ,215T,3752M,TEFC,F1

Part Detail							
Revision:	Q	Status:	PRD/A	Change #:		Proprietary:	No
Type:	AC	Elec. Spec:	37WGS518	CD Diagram:	CD0005	Mfg Plant:	
Mech. Spec:	37H244	Layout:	37LYH244	Poles:	04	Created Date:	06-30-2010
Base:	RG	Eff. Date:	10-24-2017	Leads:	9#14		

Specs			
Catalog Number:	EM3714T	Heater Indicator:	No Heater
Enclosure:	TEFC	Insulation Class:	F
Frame:	215T	Inverter Code:	Inverter Ready
Frame Material:	Steel	KVA Code:	K
Output @ Frequency:	10.000 HP @ 60 HZ	Lifting Lugs:	Standard Lifting Lugs
Synchronous Speed @ Frequency:	1800 RPM @ 60 HZ	Locked Bearing Indicator:	No Locked Bearing
Voltage @ Frequency:	460.0 V @ 60 HZ	Motor Lead Quantity/Wire Size:	9 @ 14 AWG
	230.0 V @ 60 HZ	Motor Lead Exit:	Ko Box
XP Class and Group:	None	Motor Lead Termination:	Flying Leads
XP Division:	Not Applicable	Motor Type:	3752M
Agency Approvals:	UR	Mounting Arrangement:	F1
	CSA EEV	Power Factor:	85
	CSA	Product Family:	General Purpose
Auxillary Box:	No Auxillary Box	Pulley End Bearing Type:	Ball
Auxillary Box Lead Termination:	None	Pulley Face Code:	Standard
Base Indicator:	Rigid	Pulley Shaft Indicator:	Standard
Bearing Grease Type:	Polyrex EM (-20F +300F)	Rodent Screen:	None
Blower:	None	Shaft Extension Location:	Pulley End

Current @ Voltage:	12.000 A @ 460.0 V	Shaft Ground Indicator:	No Shaft Grounding
	24.000 A @ 230.0 V	Shaft Rotation:	Reversible
	25.400 A @ 208.0 V	Shaft Slinger Indicator:	No Slinger
Design Code:	A	Speed Code:	Single Speed
Drip Cover:	No Drip Cover	Motor Standards:	NEMA
Duty Rating:	CONT	Starting Method:	Direct on line
Electrically Isolated Bearing:	Not Electrically Isolated	Thermal Device - Bearing:	NONE (OLD)
Feedback Device:	NO FEEDBACK	Thermal Device - Winding:	None
Front Face Code:	Standard	Vibration Sensor Indicator:	No Vibration Sensor
Front Shaft Indicator:	None	Winding Thermal 1:	None
		Winding Thermal 2:	None

Nameplate NP3441LUA										
CAT.NO.	EM3714T									
SPEC	37H244S518G3									
HP	10									
VOLTS	230/460									
AMPS	24/12									
RPM	1770									
FRAME	215T				HZ	60			PH	3
SF	1.15		CODE	K	DES	A		CLASS	F	
NEMA NOM. EFF	91.7		PF	85						
RATING	40C AMB-CONT									
CC	010A				USABLE AT 208V					25.4
ENCL	TEFC		SER							
DE	6307			ODE	6206					
VPWM INVERTER READY										
CT6-60H(10:1)VT3-60H(20:1)										
	50Hz 10HP 190/380V 29.2/14.6A									
	SF1.0									

Parts List		
Part Number	Description	Quantity
SA199522	SA 37H244S518G3	1.000 EA
RA186854	RA 37H244S518G3	1.000 EA
37FN3002C01	EXFN, PLASTIC, 6.00 OD, 1.155 ID	1.000 EA
HW3200A01	3/8-16X3/4 I-BLT WELDED F/S	1.000 EA
37CB3006	37 CB CASTING W/1.38 LEAD HOLE @ 6:00	1.000 EA
37GS1000SP	GASKET, CONDUIT BOX STD., .06 THICK LEXI	1.000 EA
51XW2520A12	.25-20 X .75, TAPTITE II, HEX WSHR SLTD	2.000 EA
11XW1032G06	10-32 X .38, TAPTITE II, HEX WSHR SLTD U	1.000 EA
37EP3101A01	FR ENDPLATE, FOR ROUTING PURPOSES	1.000 EA
HW4500A01	1641B(ALEMITE)400 UNIV, GREASE FITT	1.000 EA
HW5100A06	W2420-025 WVY WSHR (WB)	1.000 EA
37PE3100A01	PUEP ASSEMBLY - ROUTING PUPROSES	1.000 EA
HW4500A01	1641B(ALEMITE)400 UNIV, GREASE FITT	1.000 EA
XY3118A12	5/16-18 HEX NUT DIRECTIONAL SERRATION	4.000 EA
07FH4007SP	PRIMED	1.000 EA
51XW1032A06	10-32 X .38, TAPTITE II, HEX WSHR SLTD S	3.000 EA
37CB4516	LIPPED LID FOR 37 FRAME NEC KOBX	1.000 EA
37GS1008	37 GS FOR CB LID - LEXIDE	1.000 EA
51XW0832A07	8-32 X .44, TAPTITE II, HEX WSHR SLTD SE	4.000 EA
HW2501F21	KEY, 5/16 SQ X 2.375	1.000 EA
HA7000A02	KEY RETAINER RING, 1 1/8 DIA, 1 3/8 DIA	1.000 EA
85XU0407S04	4X1/4 U DRIVE PIN STAINLESS	2.000 EA
LB1115N	LABEL,LIFTING DEVICE (ON ROLLS)	1.000 EA
MJ1000A02	GREASE, POLYREX EM EXXON (USe 4824-15A)	0.050 LB

Parts List (continued)		
Part Number	Description	Quantity
51XB1214A20	12-14X1.25 HXWSSLD SERTYB	1.000 EA
HA3104A25	THRUBOLT .31-18 X 14.75	4.000 EA
MG1000Y03	MUNSELL 2.53Y 6.70/ 4.60, GLOSS 20,	0.028 GA
LC0005E01	CONN.DIA./WARNING LABEL (LC0005/LB1119N)	1.000 EA
NP3441LUA	ALUM SUPER-E VPWM INV READY UL CSA-EEV C	1.000 EA
37PA1039	PALLET PACK GRP, PRINT PK1026A06	1.000 EA
MN416A01	TAG-INSTAL-MAINT no wire (1200/bx) 5/18	1.000 EA

Accessories		
Part Number	Description	Multiplier
37-3301	C FACE KIT	P1

AC Induction Motor Performance Data

Record # 62607 - Typical performance - not guaranteed values

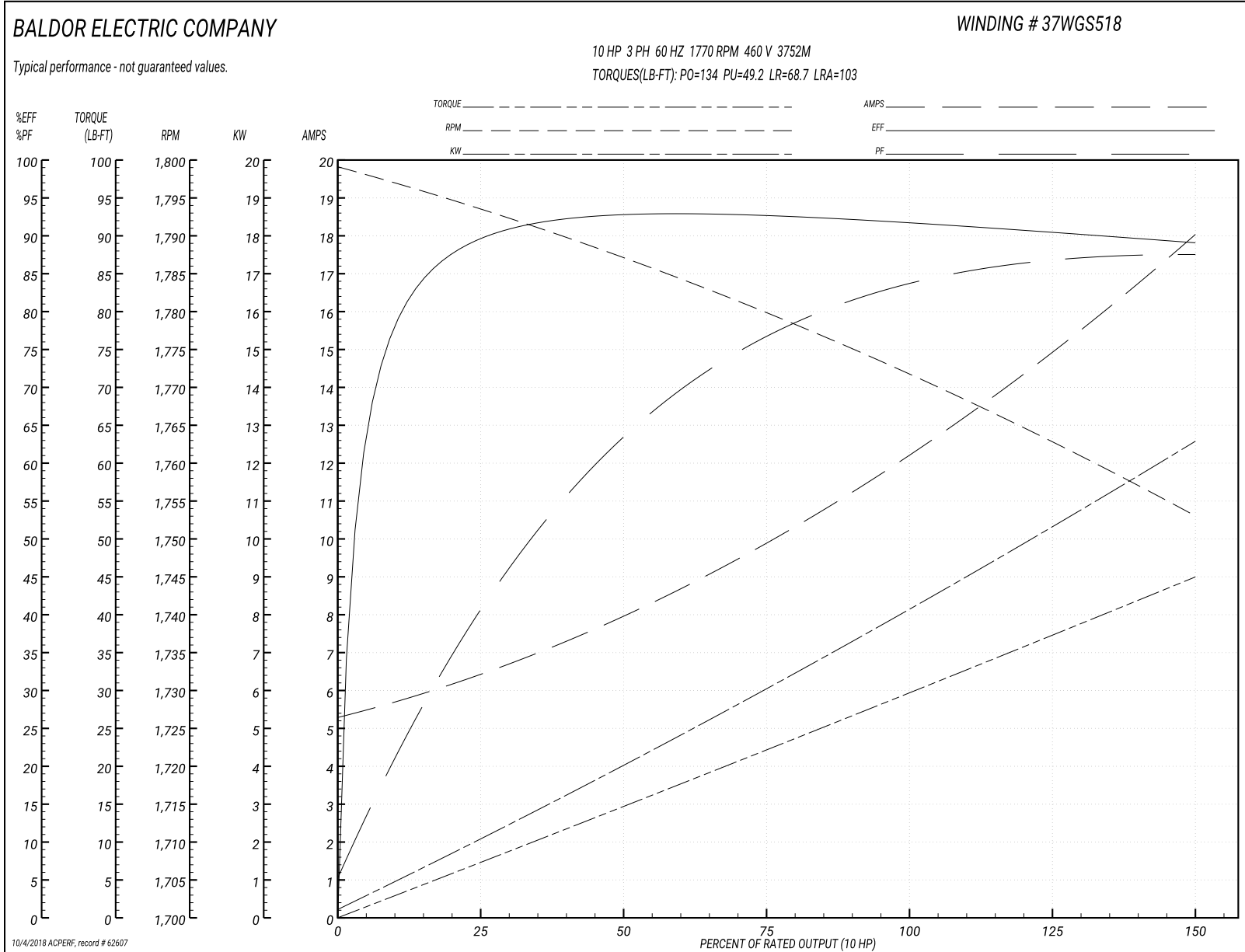
Winding: 37WGS518-R015	Type: 3752M	Enclosure: TEFC
-------------------------------	--------------------	------------------------

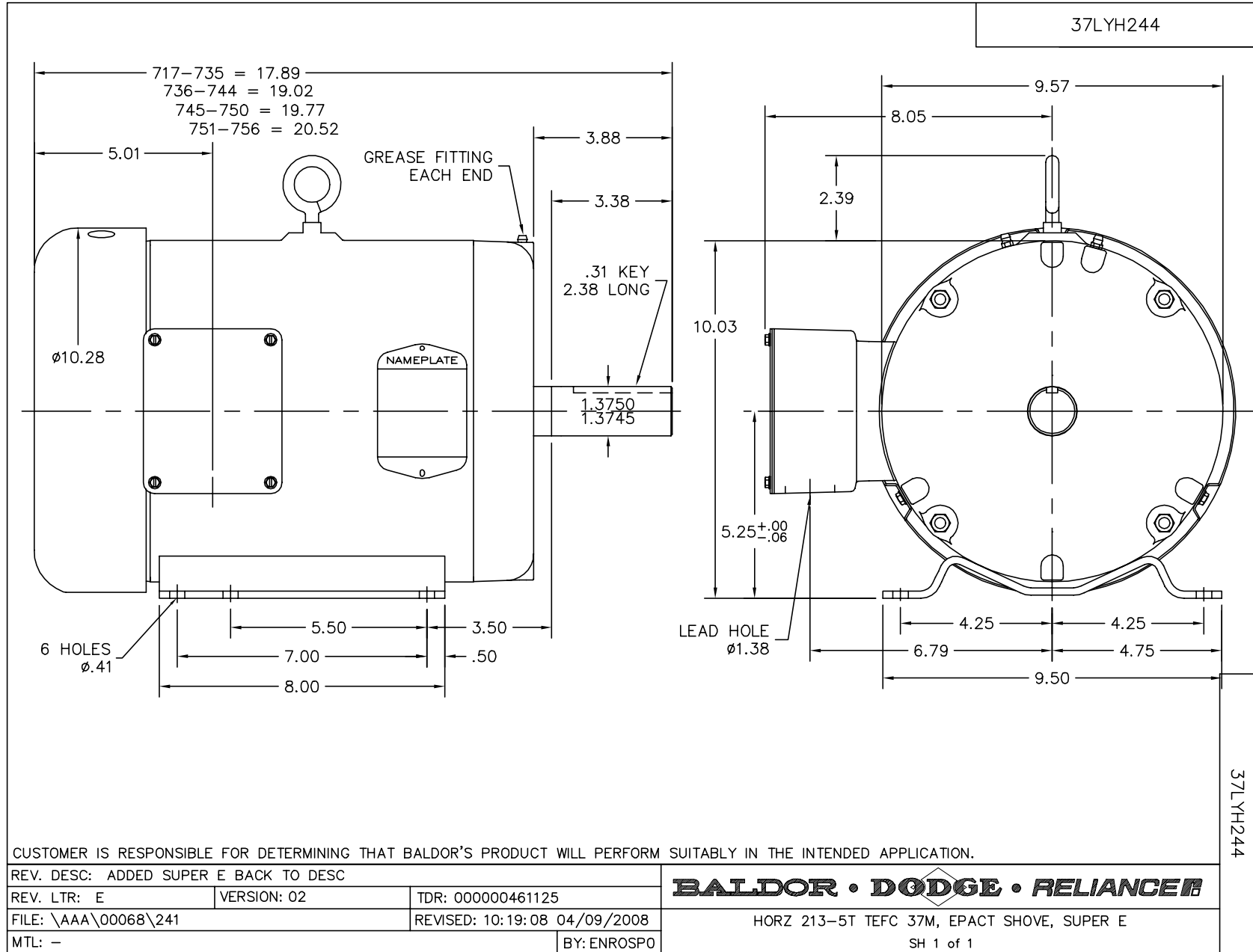
Nameplate Data				460 V, 60 Hz: High Voltage Connection	
Rated Output (HP)	10			Full Load Torque	29.45 LB-FT
Volts	230/460			Start Configuration	direct on line
Full Load Amps	24/12			Breakdown Torque	134 LB-FT
R.P.M.	1770			Pull-up Torque	49.2 LB-FT
Hz	60	Phase	3	Locked-rotor Torque	68.7 LB-FT
NEMA Design Code	A	KVA Code	K	Starting Current	103 A
Service Factor (S.F.)	1.15			No-load Current	5.49 A
NEMA Nom. Eff.	91.7	Power Factor	85	Line-line Res. @ 25°C	0.937 Ω
Rating - Duty	40C AMB-CONT			Temp. Rise @ Rated Load	63°C
S.F. Amps				Temp. Rise @ S.F. Load	77°C
				Locked-rotor Power Factor	35.5
				Rotor inertia	1.28 LB-FT ²

Load Characteristics 460 V, 60 Hz, 10 HP

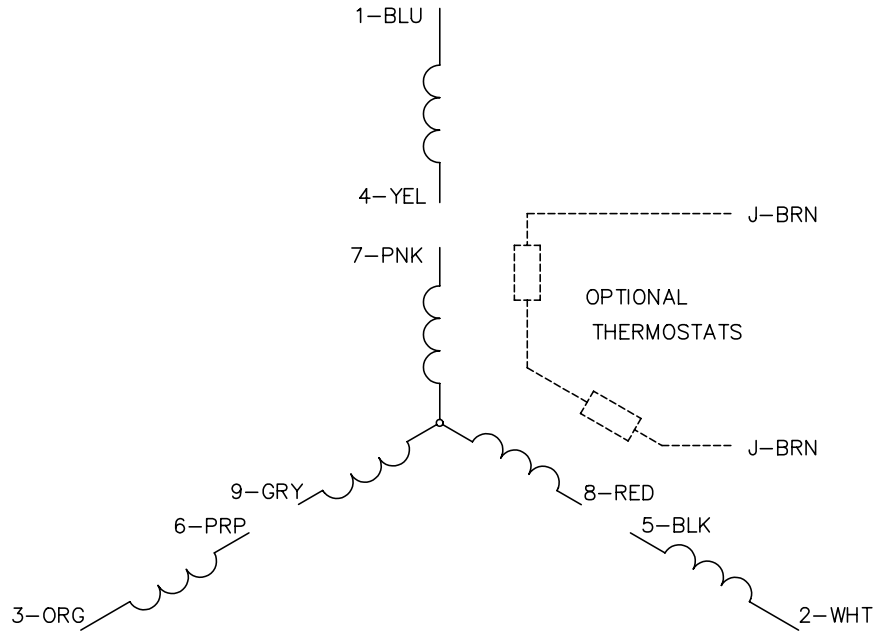
% of Rated Load	25	50	75	100	125	150	S.F.
Power Factor	42	64	76	82	86	88	84
Efficiency	88.6	92.4	92.7	91.8	90.8	88.9	91.2
Speed	1794	1787	1780	1772	1763	1753	1767
Line amperes	6.14	7.8	9.9	12.3	15	17.9	13.9

Performance Graph at 460V, 60Hz, 10.0HP Typical performance - Not guaranteed values

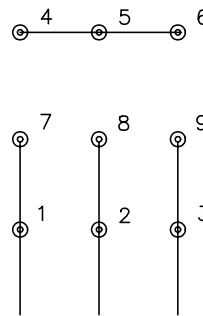




CD0005

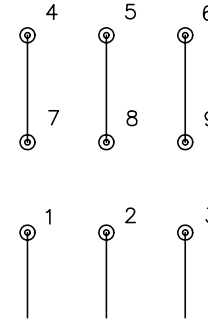


LOW VOLTAGE
(2Y)



LINE

HIGH VOLTAGE
(1Y)



LINE

NOTES:

1. INTERCHANGE ANY TWO LINE LEADS TO REVERSE ROTATION.
2. OPTIONAL THERMOSTATS ARE PROVIDED WHEN SPECIFIED.
3. ACTUAL NUMBER OF INTERNAL PARALLEL CIRCUITS MAY BE A MULTIPLE OF THOSE SHOWN ABOVE.
4. LEAD COLORS ARE OPTIONAL. LEADS MUST ALWAYS BE NUMBERED AS SHOWN.

REV. DESC: REVISE TO SHOW OPTIONAL COLORS			
REV. LTR: E	BY: JLP	REVISED: 01/19/99 10:15	TDR: 0171435
90000		FILE: AAA00005140	MDL: -
		MTL: -	

BALDOR ELECTRIC Co.

3PH, DV, 9 LEADS

CD0005