

BALDOR® • RELIANCE 

Product Information Packet

EM3313T

10HP,1770RPM,3PH,60HZ,215,T,3742M,OPSB,F

| Part Detail | | | | | | | |
|-------------|--------|-------------|------------|-------------|--------|---------------|----|
| Revision: | AF | Status: | PRD/A | Change #: | | Proprietary: | No |
| Type: | AC | Elec. Spec: | 37WGT853 | CD Diagram: | CD0005 | Mfg Plant: | |
| Mech. Spec: | 37F614 | Layout: | 37LYF614 | Poles: | 04 | Created Date: | |
| Base: | RG | Eff. Date: | 01-30-2018 | Leads: | 9#14 | | |

| Specs | | | |
|---------------------------------|-------------------------|--------------------------------|-----------------------|
| Catalog Number: | EM3313T | Insulation Class: | F |
| Enclosure: | OPSB | Inverter Code: | Inverter Ready |
| Frame: | 215T | KVA Code: | H |
| Frame Material: | Steel | Lifting Lugs: | Standard Lifting Lugs |
| Output @ Frequency: | 10.000 HP @ 60 HZ | Locked Bearing Indicator: | No Locked Bearing |
| Synchronous Speed @ Frequency: | 1800 RPM @ 60 HZ | Motor Lead Quantity/Wire Size: | 9 @ 14 AWG |
| Voltage @ Frequency: | 460.0 V @ 60 HZ | Motor Lead Exit: | Ko Box |
| | 230.0 V @ 60 HZ | Motor Lead Termination: | Flying Leads |
| XP Class and Group: | None | Motor Type: | 3742M |
| XP Division: | Not Applicable | Mounting Arrangement: | F1 |
| Agency Approvals: | UR | Power Factor: | 82 |
| | CSA EEV | Product Family: | General Purpose |
| | CSA | Pulley End Bearing Type: | Ball |
| Auxillary Box: | No Auxillary Box | Pulley Face Code: | Standard |
| Auxillary Box Lead Termination: | None | Pulley Shaft Indicator: | Standard |
| Base Indicator: | Rigid | Rodent Screen: | None |
| Bearing Grease Type: | Polyrex EM (-20F +300F) | RoHS Status: | ROHS COMPLIANT |
| Blower: | None | Shaft Extension Location: | Pulley End |

| | | | |
|---------------------------------------|---------------------------|------------------------------------|---------------------|
| Current @ Voltage: | 12.500 A @ 460.0 V | Shaft Ground Indicator: | No Shaft Grounding |
| | 25.000 A @ 230.0 V | Shaft Rotation: | Reversible |
| | 26.000 A @ 208.0 V | Shaft Slinger Indicator: | No Slinger |
| Design Code: | B | Speed Code: | Single Speed |
| Drip Cover: | No Drip Cover | Motor Standards: | NEMA |
| Duty Rating: | CONT | Starting Method: | Direct on line |
| Electrically Isolated Bearing: | Not Electrically Isolated | Thermal Device - Bearing: | None |
| Feedback Device: | NO FEEDBACK | Thermal Device - Winding: | None |
| Front Face Code: | Standard | Vibration Sensor Indicator: | No Vibration Sensor |
| Front Shaft Indicator: | None | Winding Thermal 1: | None |
| Heater Indicator: | No Heater | Winding Thermal 2: | None |

| | | | | | | | | | | |
|----------------------------------|--------------------------------|--|-------------|----|-----------------------|------|--|--------------|-----------|----|
| Nameplate NP3553LUA | | | | | | | | | | |
| CAT.NO. | EM3313T | | | | | | | | | |
| SPEC. | 37F614T853 | | | | | | | | | |
| HP | 10 | | | | | | | | | |
| VOLTS | 230/460 | | | | | | | | | |
| AMPS | 25/12.5 | | | | | | | | | |
| RPM | 1770 | | | | | | | | | |
| FRAME | 215T | | | | HZ | 60 | | | PH | 3 |
| SF | 1.15 | | CODE | H | DES | B | | CLASS | F | |
| NEMA NOM. EFF | 91.7 | | PF | 82 | | | | | | |
| RATING | 40C AMB-CONT | | | | | | | | | |
| CC | 010A | | | | USABLE AT 208V | | | | | 26 |
| DE | 6307 | | | | ODE | 6206 | | | | |
| ENCL | OPSB | | SN | | | | | | | |
| VPWM INVERTER READY | | | | | | | | | | |
| CT30-60(2:1) VT3-60(20:1) | | | | | | | | | | |
| USABLE AT | 50HZ 7.5HP 190/380V 26.8/14.4A | | | | | | | | SF1.0 | |

| Parts List | | |
|-------------|--|----------|
| Part Number | Description | Quantity |
| SA114641 | SA 37F614T853 | 1.000 EA |
| RA105761 | RA 37F614T853 | 1.000 EA |
| HA6361A01 | LIFTING LUG FOR 37, 39 & 40 FRAME ZINC | 2.000 EA |
| 37CB3006 | 37 CB CASTING W/1.38 LEAD HOLE @ 6:00 | 1.000 EA |
| 51XW2520A10 | .25-20 X .62, TAPTITE II, HEX WSHR SLTD | 2.000 EA |
| 11XW1032G06 | 10-32 X .38, TAPTITE II, HEX WSHR SLTD U | 1.000 EA |
| 37EP3203A00 | MASTER,ODE,206 BRG,GREASER | 1.000 EA |
| HW4500A01 | 1641B(ALEMITE)400 UNIV, GREASE FITT | 1.000 EA |
| HW5100A06 | W2420-025 WVY WSHR (WB) | 1.000 EA |
| 37EP3204D00 | MASTER,DE,307 BRG,GREASER | 1.000 EA |
| HW4500A01 | 1641B(ALEMITE)400 UNIV, GREASE FITT | 1.000 EA |
| XY3118A12 | 5/16-18 HEX NUT DIRECTIONAL SERRATION | 4.000 EA |
| 37CB4516 | LIPPED LID FOR 37 FRAME NEC KOBX | 1.000 EA |
| 51XW0832A07 | 8-32 X .44, TAPTITE II, HEX WSHR SLTD SE | 4.000 EA |
| HW2501F21 | KEY, 5/16 SQ X 2.375 | 1.000 EA |
| HA7000A02 | KEY RETAINER RING, 1 1/8 DIA, 1 3/8 DIA | 1.000 EA |
| 85XU0407S04 | 4X1/4 U DRIVE PIN STAINLESS | 2.000 EA |
| LB1115N | LABEL,LIFTING DEVICE (ON ROLLS) | 1.000 EA |
| MJ1000A02 | GREASE, POLYREX EM EXXON (USe 4824-15A) | 0.050 LB |
| HA3104A35 | THRUBOLT .31-18 X 13.687 | 4.000 EA |
| 37AD2001A01 | BAFFLE PLATE, PLASTIC 0.63" WIDTH | 2.000 EA |
| MG1000Y03 | MUNSELL 2.53Y 6.70/ 4.60, GLOSS 20, | 0.028 GA |
| LC0005E01 | CONN.DIA./WARNING LABEL (LC0005/LB1119N) | 1.000 EA |
| NP3553LUA | ALUM SUPER-E VPWM INVERTER READY UL | 1.000 EA |

| Parts List (continued) | | |
|-------------------------------|---|-----------------|
| Part Number | Description | Quantity |
| 36PA1001 | PKG GRP, PRINT PK1017A06 | 1.000 EA |
| MN416A01 | TAG-INSTAL-MAINT no wire (1200/bx) 5/18 | 1.000 EA |
| FE-0000001 | ZRTG FE ASSEMBLY | 1.000 EA |
| PE-0000001 | ZRTG PE ASSEMBLY | 1.000 EA |

| Accessories | | |
|--------------------|--------------------|-------------------|
| Part Number | Description | Multiplier |
| 37-1404 | C FACE KIT | A8 |

AC Induction Motor Performance Data

Record # 17599 - Typical performance - not guaranteed values

| | | |
|-------------------------------|--------------------|------------------------|
| Winding: 37WGT853-R001 | Type: 3742M | Enclosure: OPSB |
|-------------------------------|--------------------|------------------------|

| Nameplate Data | | | | 460 V, 60 Hz: High Voltage Connection | |
|-----------------------|--------------|--------------|----|--|-------------------------|
| Rated Output (HP) | 10 | | | Full Load Torque | 29.7 LB-FT |
| Volts | 230/460 | | | Start Configuration | direct on line |
| Full Load Amps | 25/12.5 | | | Breakdown Torque | 87.58 LB-FT |
| R.P.M. | 1765 | | | Pull-up Torque | 44.18 LB-FT |
| Hz | 60 | Phase | 3 | Locked-rotor Torque | 51.57 LB-FT |
| NEMA Design Code | B | KVA Code | H | Starting Current | 86.72 A |
| Service Factor (S.F.) | 1.15 | | | No-load Current | 4.91 A |
| NEMA Nom. Eff. | 91.7 | Power Factor | 82 | Line-line Res. @ 25°C | 1.18 Ω |
| Rating - Duty | 40C AMB-CONT | | | Temp. Rise @ Rated Load | 34°C |
| S.F. Amps | | | | Temp. Rise @ S.F. Load | 43°C |
| | | | | Locked-rotor Power Factor | 37.9 |
| | | | | Rotor inertia | 1.03 LB-FT ² |

Load Characteristics 460 V, 60 Hz, 10 HP

| % of Rated Load | 25 | 50 | 75 | 100 | 125 | 150 | S.F. |
|-----------------|------|------|------|-------|------|-------|------|
| Power Factor | 48 | 70 | 80 | 84 | 86 | 86 | 83 |
| Efficiency | 87.7 | 91.8 | 92.2 | 91.7 | 90.8 | 89.5 | 91.4 |
| Speed | 1793 | 1785 | 1777 | 1769 | 1759 | 1749 | 1763 |
| Line amperes | 5.6 | 7.31 | 9.53 | 12.15 | 15 | 18.24 | 14.2 |

Performance Graph at 460V, 60Hz, 10.0HP Typical performance - Not guaranteed values

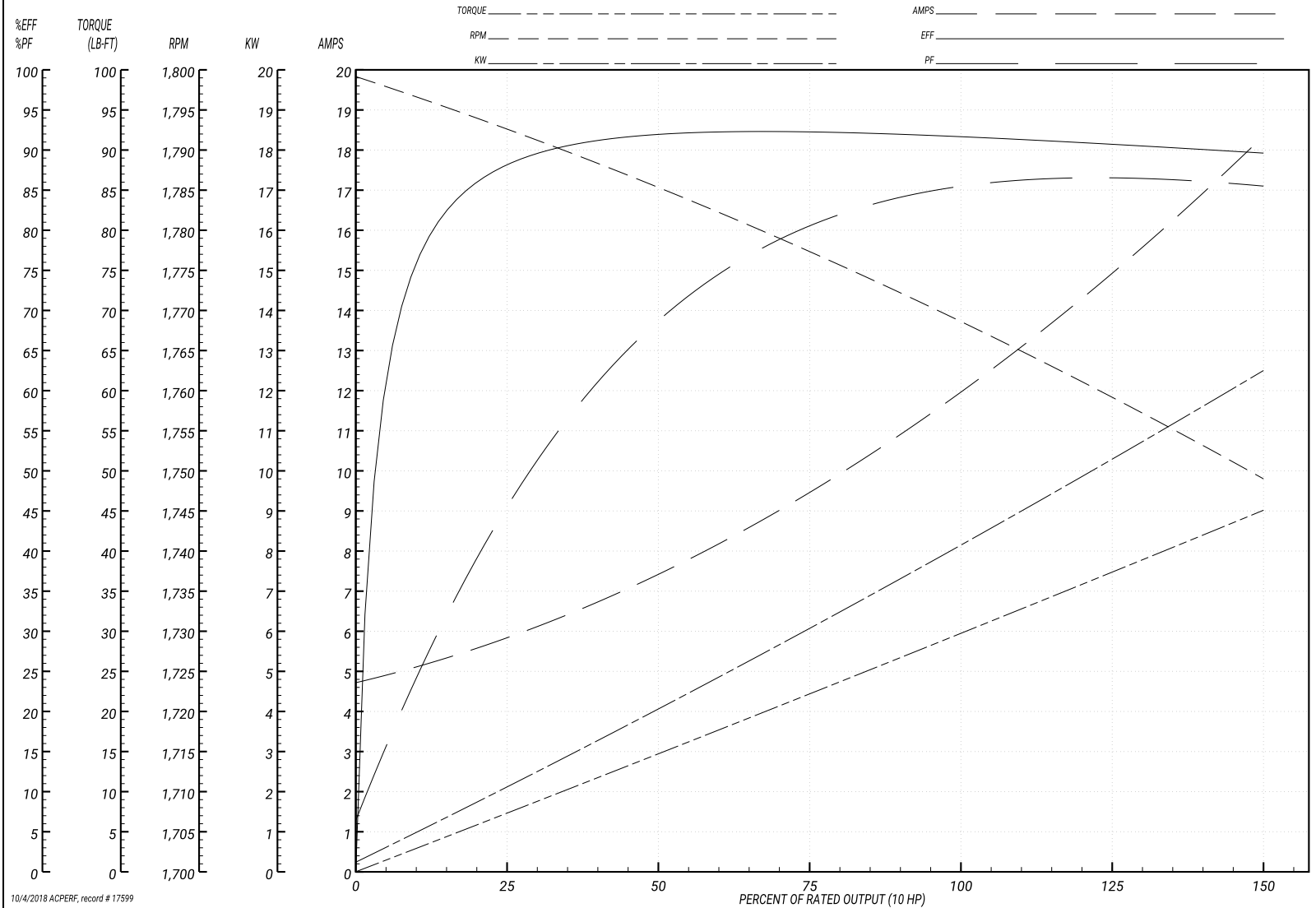
BALDOR ELECTRIC COMPANY

WINDING # 37WGT853

Typical performance - not guaranteed values.

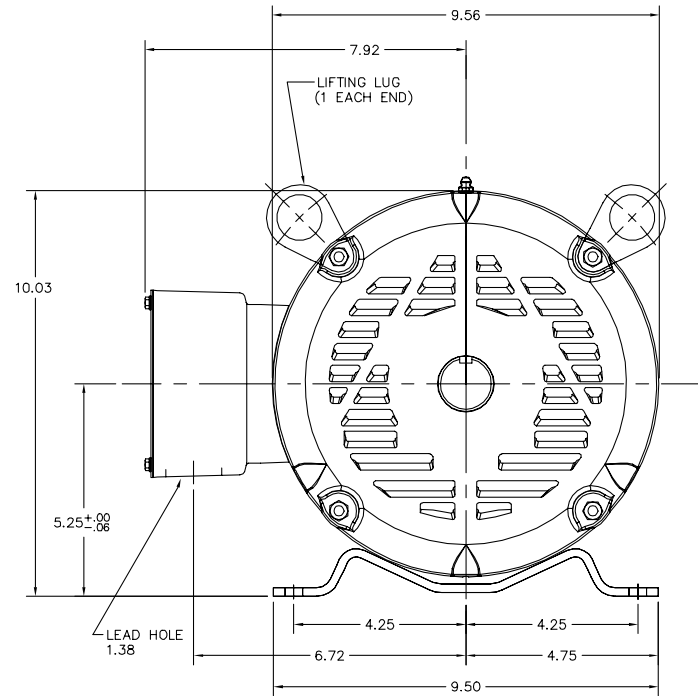
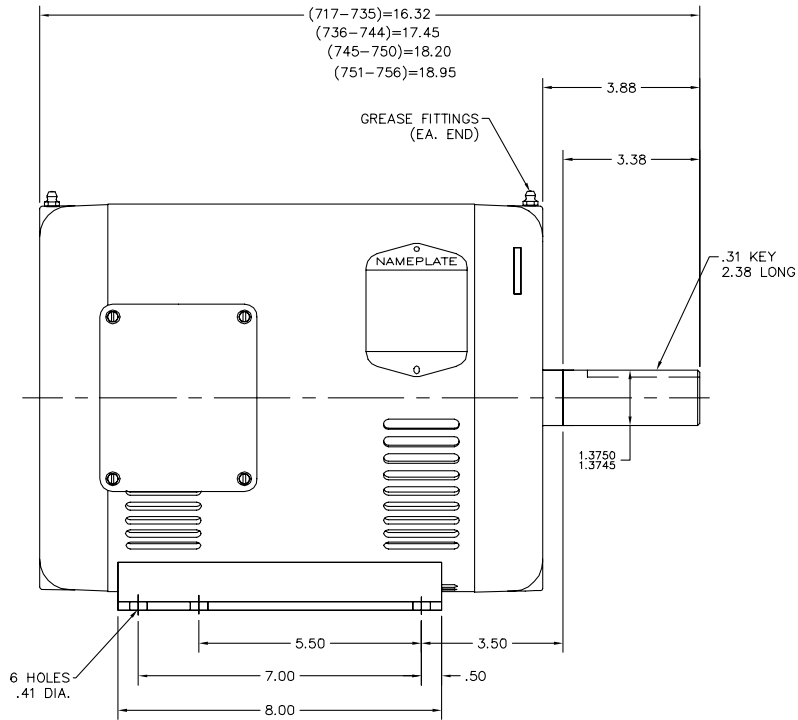
10 HP 3 PH 60 HZ 1765 RPM 460 V 3742M

TORQUES(LB-FT): PO=87.58 PU=44.18 LR=51.57 LRA=86.72



10/4/2018 ACPERF, record # 17599

37LYF614



6 HOLES
.41 DIA.

37LYF614

CUSTOMER IS RESPONSIBLE FOR DETERMINING THAT BALDOR'S PRODUCT WILL PERFORM SUITABLY IN THE INTENDED APPLICATION.

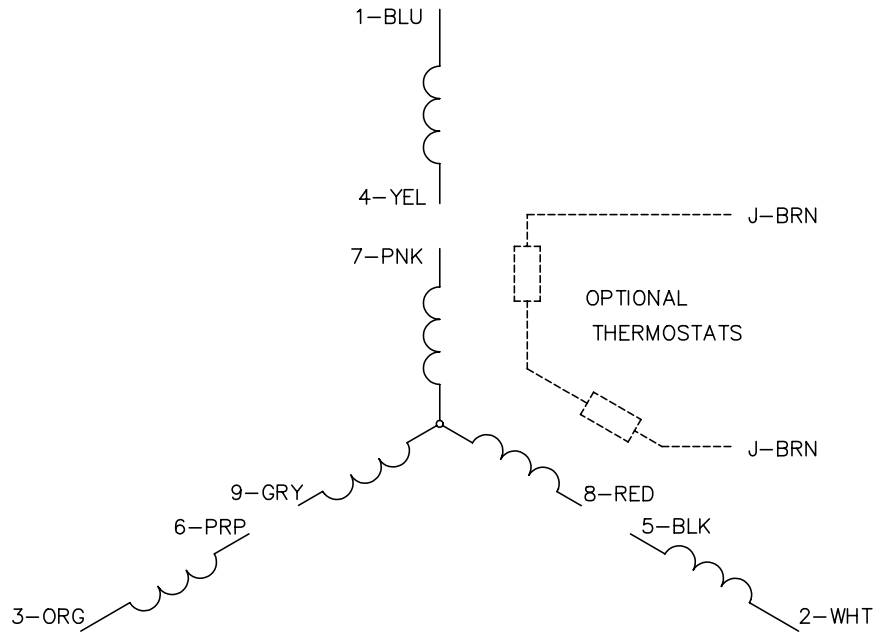
| | | |
|------------------------------|------------------------------|-------------------|
| REV. DESC: REPLACE ENDPLATES | | |
| REV. LTR: H | VERSION: 03 | TDR: 000001018975 |
| FILE: \AAA\00018\745 | REVISED: 09:54:18 03/07/2017 | BY: USZAHAR |
| MTL: - | | |

BALDOR

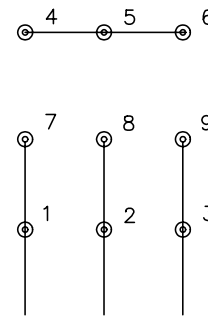
STD HORZ 213-5T OPSB 37M (SUPER-E)

SH 1 of 1

CD0005

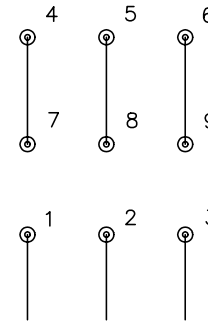


LOW VOLTAGE
(2Y)



LINE

HIGH VOLTAGE
(1Y)



LINE

NOTES:

1. INTERCHANGE ANY TWO LINE LEADS TO REVERSE ROTATION.
2. OPTIONAL THERMOSTATS ARE PROVIDED WHEN SPECIFIED.
3. ACTUAL NUMBER OF INTERNAL PARALLEL CIRCUITS MAY BE A MULTIPLE OF THOSE SHOWN ABOVE.
4. LEAD COLORS ARE OPTIONAL. LEADS MUST ALWAYS BE NUMBERED AS SHOWN.

| | | | |
|---|---------|-------------------------|--------------|
| REV. DESC: REVISE TO SHOW OPTIONAL COLORS | | | |
| REV. LTR: E | BY: JLP | REVISED: 01/19/99 10:15 | TDR: 0171435 |
| 900000 | | FILE: AAA00005140 | MDL: - |
| | | MTL: - | |

BALDOR ELECTRIC Co.

3PH, DV, 9 LEADS

CD0005