

**BALDOR® • RELIANCE** 

**Product Information Packet**

**L1510T**

**7.5HP, 1725RPM, 1PH, 60HZ, 215T, 3744LC, OPEN**

Part Detail							
Revision:	L	Status:	PRD/A	Change #:		Proprietary:	No
Type:	AC	Elec. Spec:	37GW885	CD Diagram:	CD0017A02	Mfg Plant:	
Mech. Spec:	37M295	Layout:	37LYM295	Poles:	04	Created Date:	01-07-2010
Base:	RG	Eff. Date:	05-29-2018	Leads:	2#10 A PH,2#14 B PH		

Specs			
Catalog Number:	L1510T	Inverter Code:	Not Inverter
Enclosure:	OPEN	KVA Code:	G
Frame:	215T	Lifting Lugs:	Standard Lifting Lugs
Frame Material:	Steel	Locked Bearing Indicator:	No Locked Bearing
Output @ Frequency:	7.500 HP @ 60 HZ	Motor Lead Quantity/Wire Size:	2 @ 10 AWG, A PH
Synchronous Speed @ Frequency:	1800 RPM @ 60 HZ	Motor Lead Exit:	Ko Box
Voltage @ Frequency:	230.0 V @ 60 HZ	Motor Lead Termination:	Flying Leads
XP Class and Group:	None	Motor Type:	3744LC
XP Division:	Not Applicable	Mounting Arrangement:	F1
Agency Approvals:	CSA	Power Factor:	89
	UR	Product Family:	General Purpose
Auxillary Box:	No Auxillary Box	Pulley End Bearing Type:	Ball
Auxillary Box Lead Termination:	None	Pulley Face Code:	Standard
Base Indicator:	Rigid	Pulley Shaft Indicator:	Standard
Bearing Grease Type:	Polyrex EM (-20F +300F)	Rodent Screen:	None
Blower:	None	Shaft Extension Location:	Pulley End
Current @ Voltage:	31.000 A @ 230.0 V	Shaft Ground Indicator:	No Shaft Grounding
	33.000 A @ 208.0 V	Shaft Rotation:	Reversible

Product Information Packet: L1510T - 7.5HP,1725RPM,1PH,60HZ,215T,3744LC,OPEN

<b>Design Code:</b>	L	<b>Shaft Slinger Indicator:</b>	No Slinger
<b>Drip Cover:</b>	No Drip Cover	<b>Speed Code:</b>	Single Speed
<b>Duty Rating:</b>	CONT	<b>Motor Standards:</b>	NEMA
<b>Electrically Isolated Bearing:</b>	Not Electrically Isolated	<b>Starting Method:</b>	Direct on line
<b>Feedback Device:</b>	NO FEEDBACK	<b>Thermal Device - Bearing:</b>	None
<b>Front Face Code:</b>	Standard	<b>Thermal Device - Winding:</b>	None
<b>Front Shaft Indicator:</b>	None	<b>Vibration Sensor Indicator:</b>	No Vibration Sensor
<b>Heater Indicator:</b>	No Heater	<b>Winding Thermal 1:</b>	None
<b>Insulation Class:</b>	F	<b>Winding Thermal 2:</b>	None

Nameplate NP1256L										
CAT.NO.	L1510T									
SPEC.	37M295W885G1									
HP	7.5									
VOLTS	230									
AMP	31									
RPM	1725									
FRAME	215T				HZ	60			PH	1
SER.F.	1.15		CODE	G	DES	L		CLASS	F	
NEMA-NOM-EFF	85.5		PF	89						
RATING	40C AMB-CONT									
CC								USABLE AT 208V	33	
DE	6307				ODE	6206				
ENCL	OPEN		SN							

Parts List		
Part Number	Description	Quantity
SA189557	SA 37M295W885G1	1.000 EA
RA177267	RA 37M295W885G1	1.000 EA
HA6361A01	LIFTING LUG FOR 37, 39 & 40 FRAME ZINC	2.000 EA
37CB3006	37 CB CASTING W/1.38 LEAD HOLE @ 6:00	1.000 EA
51XW2520A12	.25-20 X .75, TAPTITE II, HEX WSHR SLTD	2.000 EA
11XW1032G06	10-32 X .38, TAPTITE II, HEX WSHR SLTD U	1.000 EA
37EP3203A00	MASTER,ODE,206 BRG,GREASER	1.000 EA
HW4500A01	1641B(ALEMITE)400 UNIV, GREASE FITT	1.000 EA
SP1008A01	BAFFLE, MODEL 36 & 37	1.000 EA
13XF0832A08	8-32 X.50 PAN HD,SLTD, TYPE F SCREW, ZIN	2.000 EA
10XN2520A10	1/4-20X 5/8 HEX HD X	2.000 EA
HW1001A25	LOCKWASHER 1/4, ZINC PLT .493 OD, .255 I	2.000 EA
HW5100A06	W2420-025 WVY WSHR (WB)	1.000 EA
37EP3204D00	MASTER,DE,307 BRG,GREASER	1.000 EA
HW4500A01	1641B(ALEMITE)400 UNIV, GREASE FITT	1.000 EA
XY3118A12	5/16-18 HEX NUT DIRECTIONAL SERRATION	4.000 EA
37CB4516	LIPPED LID FOR 37 FRAME NEC KOBX	1.000 EA
51XW0832A07	8-32 X .44, TAPTITE II, HEX WSHR SLTD SE	4.000 EA
HW2501F21	KEY, 5/16 SQ X 2.375	1.000 EA
HA7000A02	KEY RETAINER RING, 1 1/8 DIA, 1 3/8 DIA	1.000 EA
85XU0407S04	4X1/4 U DRIVE PIN STAINLESS	2.000 EA
LB1115N	LABEL,LIFTING DEVICE (ON ROLLS)	1.000 EA
MJ1000A02	GREASE, POLYREX EM EXXON (USe 4824-15A)	0.050 LB
MG1000G27	MED CHARCOAL METALLIC GREY 400-0096	0.028 GA

<b>Parts List (continued)</b>		
<b>Part Number</b>	<b>Description</b>	<b>Quantity</b>
37CB5005A01	CAPACITOR BOX KIT, 37CB3802, OC3030F11,	1.000 EA
SP5172A05	37 TYPE LC TORQ STAT SW LEAD ASSEMBLY	1.000 EA
HA3104A35	THRUBOLT .31-18 X 13.687	4.000 EA
LB1119N	WARNING LABEL	1.000 EA
LC0017	CONN LABEL-1 PHASE-SINGLE VOLT-REV ROTNO	1.000 EA
NP1256L	ALUM UL CSA CC INDUSTRIAL MOTOR A60	1.000 EA
36PA1001	PKG GRP, PRINT PK1017A06	1.000 EA
MN416A01	TAG-INSTAL-MAINT no wire (1200/bx) 5/18	1.000 EA
PE-0000001	ZRTG PE ASSEMBLY	1.000 EA
FE-0000001	ZRTG FE ASSEMBLY	1.000 EA

<b>Accessories</b>		
<b>Part Number</b>	<b>Description</b>	<b>Multiplier</b>
37-1404	C FACE KIT	A8

**AC Induction Motor Performance Data**

Record # 11936 - Typical performance - not guaranteed values

<b>Winding:</b> 37WGW885-R004	<b>Type:</b> 3744LC	<b>Enclosure:</b> OPEN
-------------------------------	---------------------	------------------------

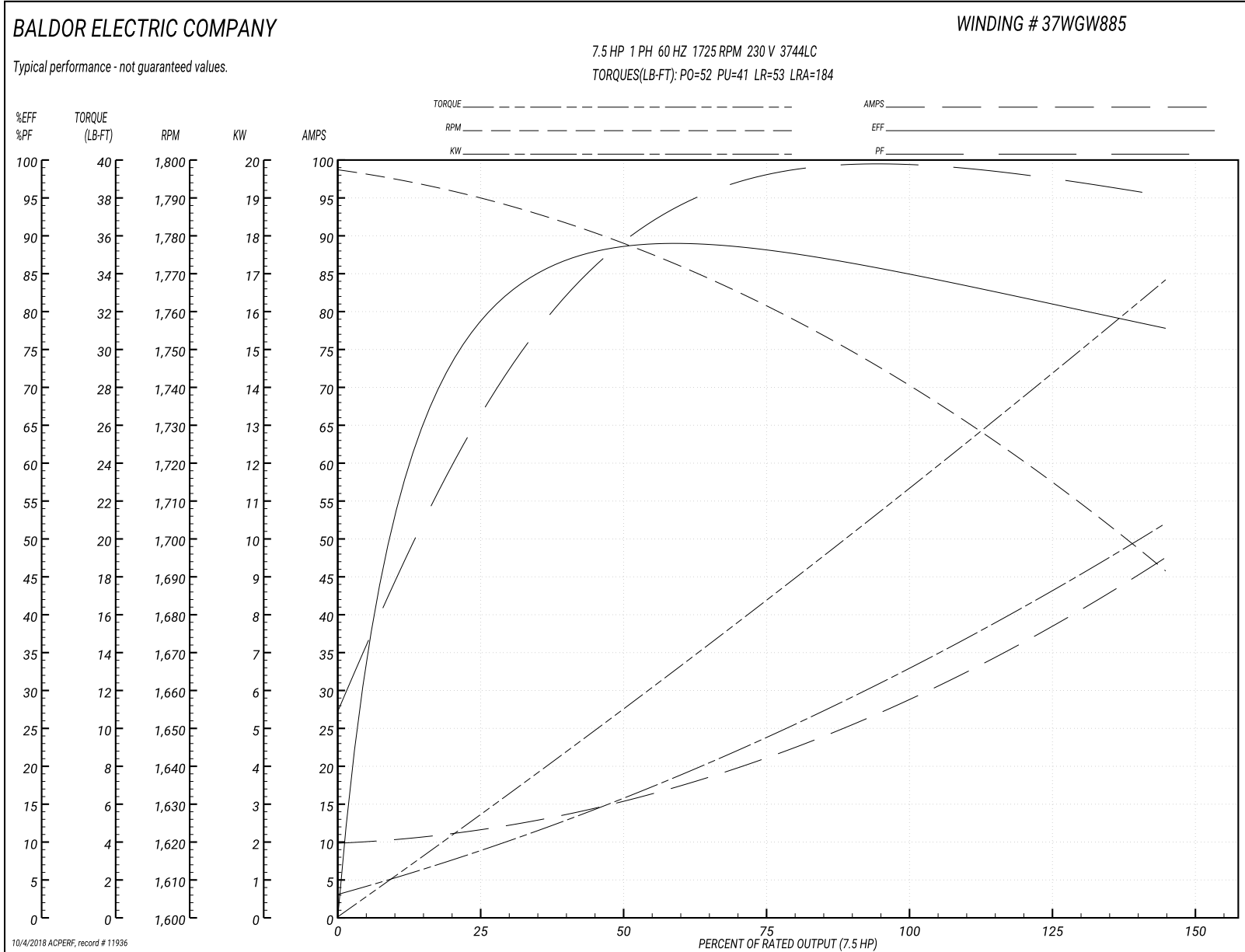
Nameplate Data				230 V, 60 Hz: Single Voltage Motor	
Rated Output (HP)	7.5			Full Load Torque	22.5 LB-FT
Volts	230			Start Configuration	direct on line
Full Load Amps	31			Breakdown Torque	52 LB-FT
R.P.M.	1725			Pull-up Torque	41 LB-FT
Hz	60	Phase	1	Locked-rotor Torque	53 LB-FT
NEMA Design Code	L	KVA Code	G	Starting Current	184 A
Service Factor (S.F.)	1.15			No-load Current	10.2 A
NEMA Nom. Eff.	85.5	Power Factor	89	Line-line Res. @ 25°C	0.265 Ω A Ph 1.545 Ω B Ph
Rating - Duty	40C AMB-CONT			Temp. Rise @ Rated Load	62°C
S.F. Amps				Temp. Rise @ S.F. Load	81°C

Load Characteristics 230 V, 60 Hz, 7.5 HP

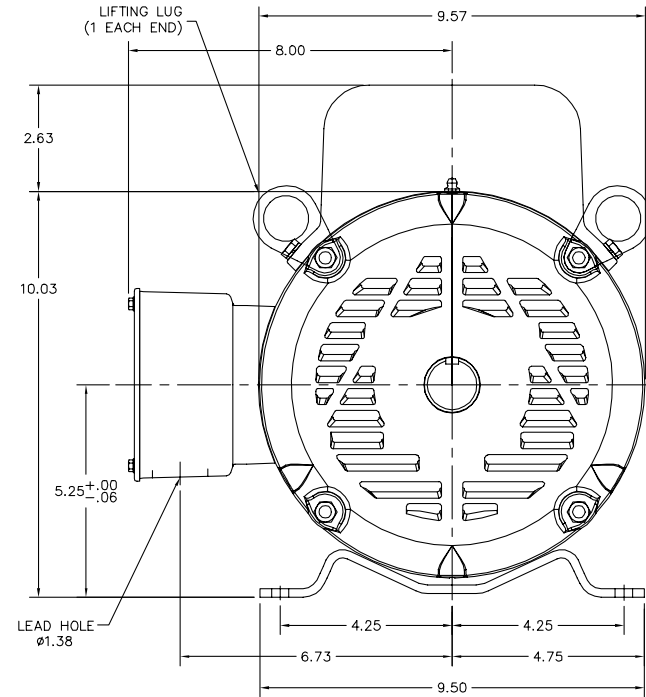
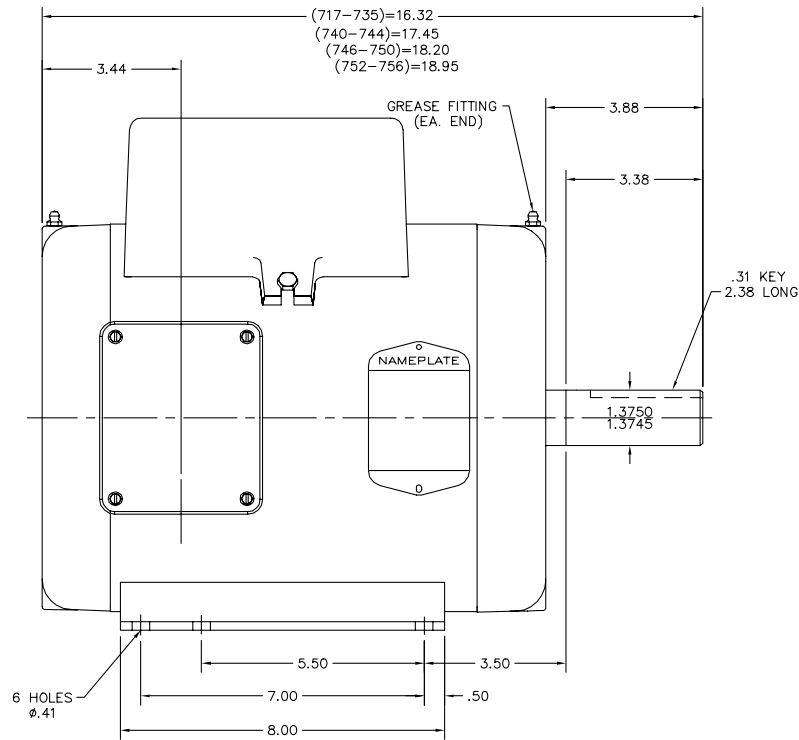
% of Rated Load	25	50	75	100	125	150	S.F.
Power Factor	53	77	86	90	90	90	90
Efficiency	75.6	87.1	88	85.6	82.7	77	83.9
Speed	1790	1776	1760	1743	1719	1690	1729
Line amperes	11	15.6	21.5	28.9	37.2	47.6	33.9



Performance Graph at 230V, 60Hz, 7.5HP Typical performance - Not guaranteed values



37LYM295



37LYM295

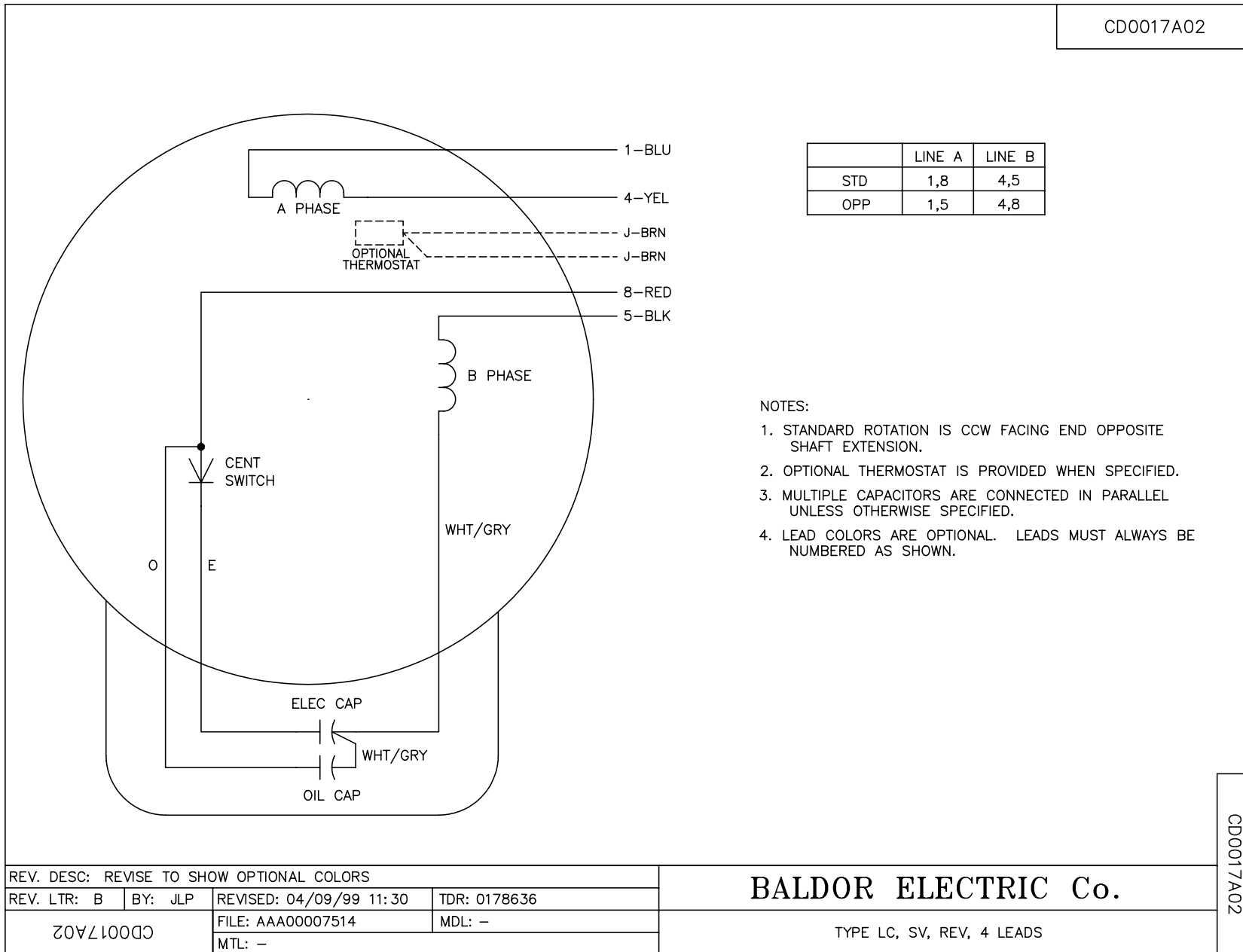
CUSTOMER IS RESPONSIBLE FOR DETERMINING THAT BALDOR'S PRODUCT WILL PERFORM SUITABLY IN THE INTENDED APPLICATION.

REV. DESC: REPLACE ENDPLATES		
REV. LTR: A	VERSION: 01	TDR: 000001018975
FILE: \AAA\00168\675	REVISED: 01:08:57 03/07/2017	BY: USZAHAR
MTL: -		

**BALDOR**

HORZ 213-5T OPEN 37L-LC, TORQ SWITCH  
SH 1 of 1

CD0017A02



	LINE A	LINE B
STD	1,8	4,5
OPP	1,5	4,8

NOTES:

1. STANDARD ROTATION IS CCW FACING END OPPOSITE SHAFT EXTENSION.
2. OPTIONAL THERMOSTAT IS PROVIDED WHEN SPECIFIED.
3. MULTIPLE CAPACITORS ARE CONNECTED IN PARALLEL UNLESS OTHERWISE SPECIFIED.
4. LEAD COLORS ARE OPTIONAL. LEADS MUST ALWAYS BE NUMBERED AS SHOWN.

REV. DESC: REVISE TO SHOW OPTIONAL COLORS			
REV. LTR: B	BY: JLP	REVISED: 04/09/99 11:30	TDR: 0178636
CD0017A02		FILE: AAA00007514	MDL: -
		MTL: -	

**BALDOR ELECTRIC Co.**

TYPE LC, SV, REV, 4 LEADS

CD0017A02