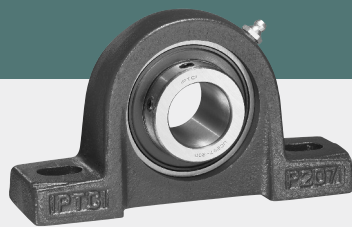


# UCP Pillow Blocks



**Standard duty. High shaft height with set screw lock.**

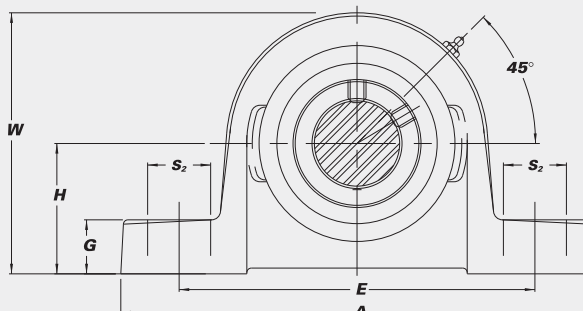
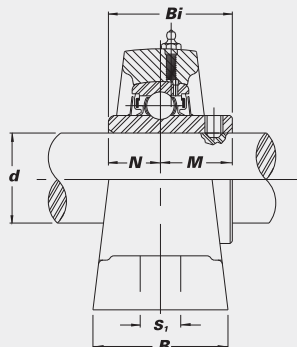
- Cast iron housing
- Wide inner race bearing
- B-type or L3-type seals
- Available with high temp. bearings - See page 46



B-type Seal



L3-type Seal



STANDARD PRODUCTS

Unit No.	Shaft Dia.		Dimensions (in.) (mm)										Bolt Used (in.)	Bearing No.	Housing No.	Weight (lbs.)		
	d (in.)	d (mm)	H	A	E	B	S <sub>2</sub>	S <sub>1</sub>	G	W	Bi	N					M	
UCP 201		12																UCW 201
201-8	1/2	15	13/16	47/8	35/8	17/16	3/4	7/16	17/32	233/64	1.0236	0.3937	0.6299	3/8				201-8
202			30.2	124	92	37	19	11	13	60	26.0	10.0	16.0					202
202-10	5/8	17																202-10
203																		203
UCP 204-12	3/4	20	19/16	5	33/4	11/2	11/16	7/16	9/16	219/32	1.2205	0.5000	0.7205	3/8				UC 204-12
204			33.3	127	95	38	17	11	14	66	31.0	12.7	18.3					204
UCP 205-14	7/8	25	17/16	5 1/2	4 1/8	1 1/2	11/16	1/2	5/8	227/32	1.3386	0.5630	0.7756	3/8				UC 205-14
205-15	15/16		36.5	140	105	38	17	13	16	72	34.0	14.3	19.7					205-15
205																		205
205-16	1																	205-16
UCP 206-17	1 1/16	30	1 11/16*	6 5/16	4 3/4	1 3/4	13/16	9/16	1 1/16	3 19/64	1.5000	0.6260	0.8740	1/2				UC 206-17
206-18	1 1/8		42.9	160	121	44	21	14	18	84	38.1	15.9	22.2					206-18
206																		206
206-19	1 3/16																	206-19
206-20	1 1/4 S																	206-20
UCP 207-20	1 1/4	35	17/8	6 17/32	5	2 29/32	7/8	9/16	3/4	3 11/16	1.6890	0.6890	1.0000	1/2				UC 207-20
207-21	1 5/16		47.6	166	127	48	22	14	19	94	42.9	17.5	25.4					207-21
207-22	1 3/8																	207-22
207																		207
207-23	1 7/16																	207-23
UCP 208-24	1 1/2	40	1 15/16**	7 1/8	5 7/16	2	7/8	9/16	13/16	4	1.9370	0.7480	1.1890	1/2				UC 208-24
208-25	1 9/16		49.2	181	137	51	22	14	21	102	49.2	19.0	30.2					208-25
208																		208
UCP 209-26	1 5/8	45	2 1/8	7 1/2	5 3/4	2 1/8	13/16	19/32	7/8	4 17/64	1.9370	0.7480	1.1890	1/2				UC 209-26
209-27	1 11/16		54.0	190	146	54	21	15	22	109	49.2	19.0	30.2					209-27
209-28	1 3/4																	209-28
209																		209
UCP 210-30	1 7/8	50	2 1/4	8	6 1/4	2 1/4	15/16	23/32	15/16	4 33/64	2.0315	0.7480	1.2835	5/8				UC 210-30
210-31	1 15/16		57.2	203	159	57	24	18	24	115	51.6	19.0	32.6					210-31
210																		210
210-32	2 S																	210-32
UCP 211-32	2	55	2 1/2	8 5/8	6 7/8	2 3/8	15/16	23/32	1 1/16	5 1/32	2.1890	0.8740	1.3150	5/8				UC 211-32
211-34	2 1/8		63.5	220	174	60	24	18	27	128	55.6	22.2	33.4					211-34
211																		211
211-35	2 3/16																	211-35
UCP 212-36	2 1/4	60	2 3/4	9 17/32	7 11/32	2 1/2	1	25/32	1 1/16	5 33/64	2.5630	1.0000	1.5630	5/8				UC 212-36
212			69.8	242	187	64	25.4	20	27	140	65.1	25.4	39.7					212
212-38	2 3/8																	212-38
212-39	2 1/16																	212-39
UCP 213-40	2 1/2	65	3	10 3/4	8 1/8	2 11/16	13/16	13/16	1 1/8	6 1/32	2.5630	1.0000	1.5630	5/8				UC 213-40
213			76.2	273	206	68	30	20	28	153	65.1	25.4	39.7					213
UCP 214-43	2 11/16	70	3	10 3/4	8 1/8	2 1/2	1 13/16	13/16	1 1/8	6 1/32	2.9370	1.1890	1.7480	5/8				UC 214-43
214-44	2 3/4		76.2	273	206	64	30	20	28	153	74.6	30.2	44.4					214-44
214																		214
UCP 215-47	2 15/16	75	3 1/4	10 13/16	8 1/2	2 15/16	1 1/4	1 1/8	1 1/8	6 33/64	3.0630	1.3110	1.7520	7/8				UC 215-47
215			82.6	275	217	75	31	25.4	29	166	77.8	33.3	44.5					215
215-48	3																	215-48

Interchange Page 47. \*Also available 1 5/8" \*\*Also available 2 1/8"

# NAP Pillow Blocks



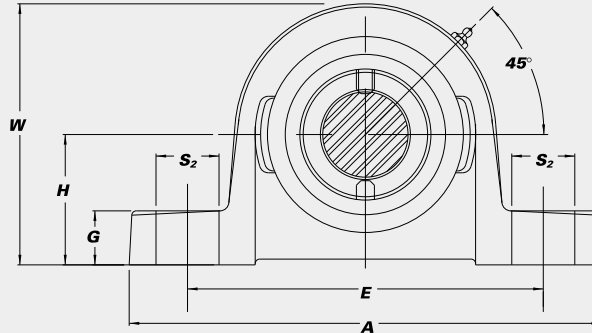
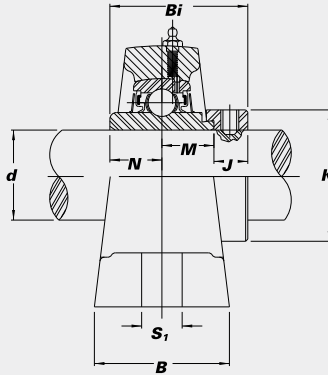
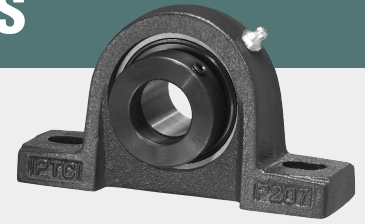
B-type Seal



L3-type Seal

**Standard duty. High shaft height with eccentric locking collar.**

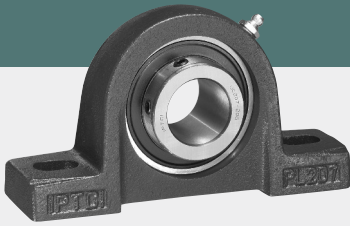
- Cast iron housing
- B-type or L3-type seals
- Wide inner race bearing



Unit No.	Shaft Dia.		Dimensions (in.) (mm)													Bolt Used (in.)	Bearing No.	Housing No.	Weight (lbs.)	
	d (in.)	d (mm)	H	A	E	B	S <sub>2</sub>	S <sub>1</sub>	G	W	Bi	N	M	J	K					
NAP 201		12																NAW201		
201-8	1/2	15	13/16	47/8	35/8	17/16	3/4	7/16	17/32	223/64	1.4685	0.5472	0.5472	0.3740	1.1260	3/8	201-8			
202			30.2	124	92	37	19	11	13	60	37.3	13.9	13.9	9.5	28.6		202	P 203	1.6	
202-10	5/8	17															202-10			
203																	203			
NAP 204-12	3/4	20	15/16	5	33/4	11/2	11/16	7/16	9/16	219/32	1.7126	0.6693	0.6693	0.3740	1.3110	3/8	NA 204-12			
204			33.3	127	95	38	17	11	14	66	43.5	17.0	17.0	9.5	33.3		204	P 204	1.7	
NAP 205-14	7/8	25	17/16	5 1/2	4 1/8	1 1/2	11/16	1/2	5/8	227/32	1.7441	0.6850	0.6850	0.3740	1.5000	3/8	NA 205-14			
205-15	15/16		36.5	140	105	38	17	13	16	72	44.3	17.4	17.4	9.5	38.1		205-15	P 205	2.1	
205																	205			
205-16	1																205-16			
NAP 206-17	1 1/16	30	1 11/16*	6 5/16	4 3/4	1 3/4	13/16	9/16	11/16	319/64	1.9016	0.7165	0.7165	0.4685	1.7520	1/2	NA 206-17			
206-18	1 1/8		42.9	160	121	44	21	14	18	84	48.3	18.2	18.2	11.9	44.5		206-18	P 206	3.1	
206																	206			
206-19	1 3/16																206-19			
206-20	1 1/4 S																206-20			
NAP 207-20	1 1/4	35	17/8	6 17/32	5	1 29/32	7/8	9/16	3/4	311/16	2.0118	0.7402	0.7402	0.5315	2.1890	1/2	NA 207-20			
207-21	1 5/16		47.6	166	127	48	22	14	19	94	51.1	18.8	18.8	13.5	55.6		207-21	P 207	4.2	
207-22	1 3/8																207-22			
207																	207			
207-23	1 7/16																207-23			
NAP 208-24	1 1/2	40	1 15/16**	7 1/8	5 7/16	2	7/8	9/16	13/16	4	2.2165	0.8425	0.8425	0.5315	2.3740	1/2	NA 208-24			
208-25	1 5/16		49.2	181	137	51	22	14	21	102	56.3	21.4	21.4	13.5	60.3		208-25	P 208	5.3	
208																	208			
NAP 209-26	1 5/8	45	2 1/8	7 1/2	5 3/4	2 1/8	13/16	19/32	7/8	417/64	2.2165	0.8425	0.8425	0.5315	2.5000	1/2	NA 209-26			
209-27	1 11/16		54.0	190	146	54	21	15	22	109	56.3	21.4	21.4	13.5	63.5		209-27	P 209	6.1	
209-28	1 3/4																209-28			
209																	209			
NAP 210-30	1 7/8	50	2 1/4	8	6 1/4	2 1/4	15/16	23/32	15/16	433/64	2.4685	0.9685	0.9685	0.5315	2.7520	5/8	NA 210-30			
210-31	1 15/16		57.2	203	159	57	24	18	24	115	62.7	24.6	24.6	13.5	69.9		210-31	P 210	7.2	
210																	210			
210-32	2 S																210-32			
NAP 211-32	2	55	2 1/2	8 5/8	6 7/8	2 3/8	15/16	23/32	1 1/16	51/32	2.8110	1.0905	1.0905	0.6300	3.0000	5/8	NA 211-32			
211-34	2 1/8		63.5	220	174	60	24	18	27	128	71.4	27.7	27.7	16.0	76.2		211-34	P 211	9.4	
211																	211			
211-35	2 3/16																211-35			
NAP 212-36	2 1/4	60	2 3/4	9 17/32	7 11/32	2 1/2	1	25/32	1 1/16	533/64	3.0630	1.2165	1.2165	0.6300	3.3150	5/8	NA 212-36			
212			69.8	242	187	64	25.4	20	27	140	77.8	30.9	30.9	16.0	84.2		212	P 212	11.9	
212-38	2 3/8																212-38			
212-39	2 7/16																212-39			
NAP 213-40	2 1/2	65	3	10 3/4	8 1/8	2 11/16	1 3/16	13/16	1 1/8	61/32	3.3740	1.3425	1.3425	0.6890	3.3858	7/8	NA 213-40			
213			76.2	273	206	68	30	20	28	153	85.7	34.1	34.1	17.5	86.0		213	P 213	14.0	
NAP 215-47	2 15/16	75	3 1/4	10 13/16	8 1/2	2 15/16	1 1/4	1	1 1/8	633/64	3.6260	1.4685	1.4685	0.6890	4.0157	7/8	NA 215-47			
215			82.6	275	217	75	31	25.4	29	166	92.1	37.3	37.3	17.5	102.0		215	P 215	18.3	
215-48	3																215-48			

Interchange Page 47 \*Also available 1 5/8" \*\*Also available 2 1/8"

# UCPL Pillow Blocks



**Standard duty. Low shaft height with set screw lock.**

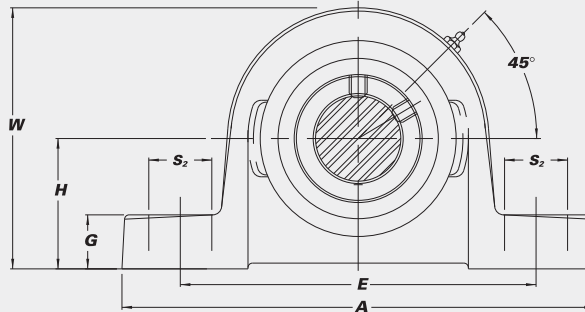
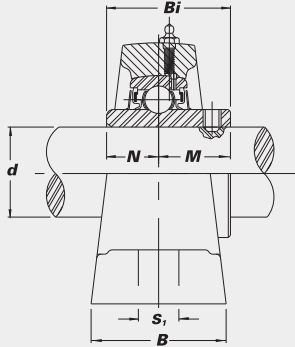
- Cast iron housing
- B-type or L3-type seals
- Wide inner race bearing



B-type Seal



L3-type Seal



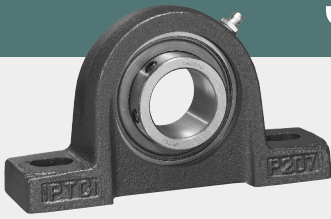
Unit No.	Shaft Dia.		Dimensions										Bolt Used	Bearing No.	Housing No.	Weight (lbs.)	
	d	d	H	A	E	B	S <sub>2</sub>	S <sub>1</sub>	G	W	Bi	N					M
	(in.)	(mm)												(in.)			
UCPL 201		12													UCW201		
201-8	1/2														201-8		
202		15	1 1/16	4 7/8	3 5/8	1 7/16	3/4	7/16	1 7/32	2 15/64	1.0236	0.3937	0.6299	3/8	202	PL 203	1.4
202-10	5/8		27	124	92	37	19	11	13	57	26.0	10.0	16.0		202-10		
203		17													203		
UCPL 204-12	3/4		1 1/4	5	3 3/4	1 1/2	9/16	7/16	9/16	2 1/2	1.2205	0.5000	0.7205	3/8	UC 204-12	PL 204	1.6
204		20	31.8	127	95	38	14	11	14	64	31.0	12.7	18.3		204		
UCPL 205-14	7/8														UC 205-14		
205-15	15/16		1 5/16	5 1/2	4 1/8	1 1/2	1 1/16	7/16	5/8	2 45/64	1.3386	0.5630	0.7756	3/8	205-15	PL 205	1.9
205		25	33.3	140	105	38	18	11	16	69	34.0	14.3	19.7		205		
205-16	1														205-16		
UCPL 206-17	1 1/16														UC 206-17		
206-18	1 1/8		1 9/16	6 1 1/32	4 3/4	1 3/4	1 3/16	9/16	1 1/16	3 5/32	1.5000	0.6260	0.8740	1/2	206-18	PL 206	2.9
206		30	39.7	161	121	45	21	14	18	80	38.1	15.9	22.2		206		
206-19	1 3/16														206-19		
206-20	1 1/4S														206-20		
UCPL 207-20	1 1/4														UC 207-20		
207-21	1 5/16		1 13/16	6 19/32	5	1 7/8	7/8	9/16	2 5/32	3 21/32	1.6890	0.6890	1.0000	1/2	207-21	PL 207	3.9
207-22	1 3/8		46.0	167	127	48	22	14	20	93	42.9	17.5	25.4		207-22		
207		35													207		
207-23	1 7/16														207-23		
UCPL 208-24	1 1/2														UC 208-24		
208-25	1 3/16		1 15/16	7 1/8	5 7/16	2	7/8	9/16	1 3/16	4	1.9370	0.7480	1.1890	1/2	208-25	P 208	5.0
208		40	49.2	181	137	51	22	14	21	102	49.2	19.0	30.2		208		
UCPL 209-26	1 5/8														UC 209-26		
209-27	1 11/16		2 1/16	7 1/2	5 3/4	2 1/8	1 3/16	9/16	2 9/32	4 7/32	1.9370	0.7480	1.1890	1/2	209-27	PL 209	5.7
209-28	1 3/4		52.4	191	146	54	20	14	23	107	49.2	19.0	30.2		209-28		
209		45													209		
UCPL 210-30	1 7/8														UC 210-30		
210-31	1 15/16		2 5/16	8 1/32	6 1/4	2 1/4	1 5/16	1 1/16	2 9/32	4 29/64	2.0315	0.7480	1.2835	5/8	210-31	PL 210	6.6
210		50	55.6	204	159	57	24	18	23	113	51.6	19.0	32.6		210		
210-32	2S														210-32		
UCPL 211-32	2														UC 211-32		
211-34	2 1/8		2 1/16	8 5/8	7	2 5/8	1 5/16	1 1/16	1	4 61/64	2.1890	0.8740	1.3150	5/8	211-34	PL 211	8.7
211		55	61.9	219	178	60	24	18	25.4	126	55.6	22.2	33.4		211		
211-35	2 3/16														211-35		
UCPL 212-36	2 1/4														UC 212-36		
212		60	2 11/16	9 7/16	7 3/8	2 1/2	1	1 1/16	1 1/32	5 13/32	2.5630	1.0000	1.5630	5/8	212	PL 212	10.9
212-38	2 3/8		68.3	240	187	63	25.4	18	26.5	137	65.1	25.4	39.7		212-38		
212-39	2 1/16														212-39		
UCPL 213-40	2 1/2														UC 213-40		
213		65	2 11/16	9 3/4	7 5/8	2 3/4	1 1/8	1 1/16	1 1/8	5 7/16	2.5630	1.0000	1.5630	5/8	213	PL 213	13.9
			68.3	248	194	70	29	18	29	138	65.1	25.4	39.7				
UCPL 215-47	2 15/16														UC 215-47		
215		75	3 1/4	10 13/16	8 1/2	2 15/16	1 1/4	1	1 1/8	6 33/64	3.0630	1.3110	1.7520	7/8	215	P 215	17.0
215-48	3		82.6	275	217	75	31	25.4	29	166	77.8	33.3	44.5		215-48		

Interchange Page 47

STANDARD PRODUCTS



# SBP & SBPL Pillow Blocks

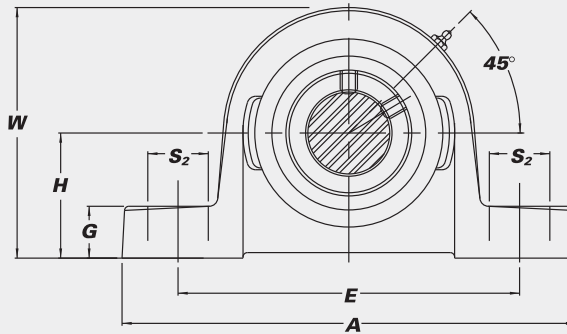
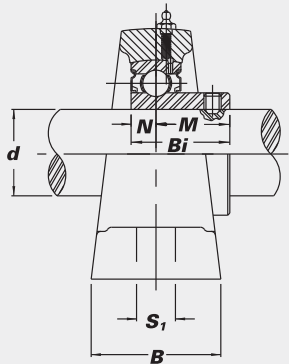


- Cast iron housing
- Narrow inner race bearing with set screw lock

- K-type seals



K-type Seal



Unit No.	Shaft Dia.		Dimensions (in./mm)											Bolt Used (in.)	Bearing No.	Housing No.	Weight (lbs.)
	d (in.)	d (mm)	H	A	E	B	S <sub>2</sub>	S <sub>1</sub>	G	W	Bi	N	M				

## SBP High shaft height

SBP 201		12															SB 201G		
201-8	1/2	15	1 3/16	4 7/8	3 5/8	1 7/16	3/4	7/16	1 7/32	2 23/64	0.8661	0.2362	0.6299	3/8			201-8G		
202		15	30.2	124	92	37	19	11	13	60	22.0	6.0	16.0				202G	P 203	1.4
202-10	5/8	17															202-10G		
203		17															203G		
SBP 204-12	3/4	20	1 5/16	5	3 3/4	1 1/2	1 1/16	7/16	9/16	2 19/32	0.9843	0.2756	0.7087	3/8			SB 204-12G		
204		20	33.3	127	95	38	17	11	14	66	25.0	7.0	18.0				204G	P 204	1.6
SBP 205-14	7/8	25	1 7/16	5 1/2	4 1/8	1 1/2	1 1/16	1/2	5/8	2 27/32	1.0630	0.2953	0.7677	3/8			SB 205-14G		
205-15	1 5/16	25	36.5	140	105	38	17	13	16	72	27.0	7.5	19.5				205-15G	P 205	1.9
205		25															205G		
205-16	1	25															205-16G		
SBP 206-17	1 1/16	30	1 11/16*	6 5/16	4 3/4	1 3/4	1 3/16	9/16	1 1/16	3 19/64	1.1811	0.3150	0.8661	1/2			SB 206-17G		
206-18	1 1/8	30	42.9	160	121	44	21	14	18	84	30.0	8.0	22.0				206-18G	P 206	2.8
206		30															206G		
206-19	1 3/16	30															206-19G		
206-20	1 1/4S	30															206-20G		
SBP 207-20	1 1/4	35															SB 207-20G		
207-21	1 5/16	35	1 7/8	6 17/32	5	1 29/32	7/8	9/16	3/4	3 11/16	1.2992	0.3740	0.9252	1/2			207-21G	P 207	3.7
207-22	1 3/8	35	47.6	166	127	48	22	14	19	94	33.0	9.5	23.5				207-22G		
207		35															207G		
207-23	1 7/16	35															207-23G		
SBP 208-24	1 1/2	40	1 15/16**	7 1/8	5 7/16	2	7/8	9/16	1 3/16	4	1.4173	0.4331	0.9843	1/2			SB 208-24G		
208		40	49.2	181	137	51	22	14	21	102	36.0	11.0	25.0				208G	P 208	4.9

## SBPL Low shaft height

SBPL 201		12															SB 201G		
201-8	1/2	15	1 1/16	4 7/8	3 5/8	1 7/16	3/4	7/16	1 7/32	2 19/64	0.8661	0.2362	0.6299	3/8			201-8G		
202		15	27	124	92	37	19	11	13	57	22.0	6.0	16.0				202G	PL 203	1.3
202-10	5/8	17															202-10G		
203		17															203G		
SBPL 204-12	3/4	20	1 1/4	5	3 3/4	1 1/2	9/16	7/16	9/16	2 1/2	0.9843	0.2756	0.7087	3/8			SB 204-12G		
204		20	31.8	127	95	38	14	11	14	64	25.0	7.0	18.0				204G	PL 204	1.5
SBPL 205-14	7/8	25	1 5/16	5 1/2	4 1/8	1 1/2	1 1/16	7/16	5/8	2 45/64	1.0630	0.2953	0.7677	3/8			SB 205-14G		
205-15	1 5/16	25	33.3	140	105	38	18	11	16	69	27.0	7.5	19.5				205-15G	PL 205	1.8
205		25															205G		
205-16	1	25															205-16G		
SBPL 206-17	1 1/16	30	1 9/16	6 19/32	4 3/4	1 3/4	1 3/16	9/16	1 1/16	3 5/32	1.1811	0.3150	0.8661	1/2			SB 206-17G		
206-18	1 1/8	30	39.7	161	121	45	21	14	18	80	30.0	8.0	22.0				206-18G	PL 206	2.8
206		30															206G		
206-19	1 3/16	30															206-19G		
206-20	1 1/4S	30															206-20G		
SBPL 207-20	1 1/4	35															SB 207-20G		
207-21	1 5/16	35	1 13/16	6 19/32	5	1 7/8	7/8	9/16	2 5/32	3 21/32	1.2992	0.3740	0.9252	1/2			207-21G	PL 207	3.6
207-22	1 3/8	35	46.0	167	127	48	22	14	20	93	33.0	9.5	23.5				207-22G		
207		35															207G		
207-23	1 7/16	35															207-23G		
SBPL 208-24	1 1/2	40	1 15/16	7 1/8	5 7/16	2	7/8	9/16	1 3/16	4	1.4173	0.4331	0.9843	1/2			SB 208-24G		
208		40	49.2	181	137	51	22	14	21	102	36.0	11.0	25.0				208G	P 208	4.9

Interchange Page 47 \*Also available 1 5/8" \*\*Also available 2 1/8"

STANDARD PRODUCTS

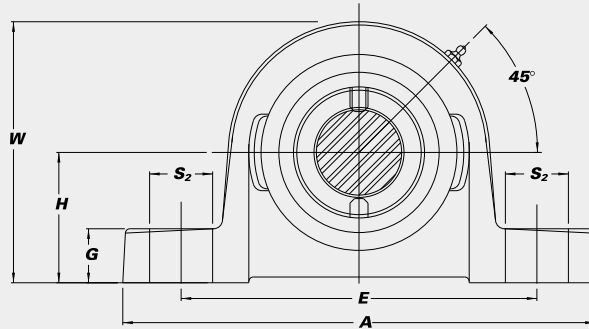
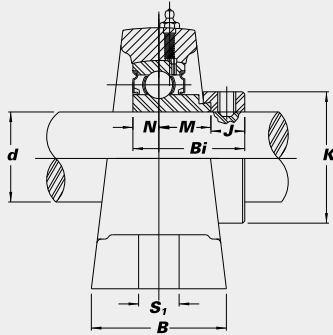
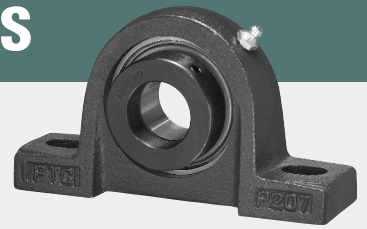
# SAP Pillow Blocks



K-type Seal

## High shaft height with eccentric locking collar.

- Cast iron housing
- Narrow inner race bearing
- K-type seals



Unit No.	Shaft Dia.		Dimensions (in.) (mm)													Bolt Used (in.)	Bearing No.	Housing No.	Weight (lbs.)	
	d (in.)	d (mm)	H	A	E	B	S <sub>2</sub>	S <sub>1</sub>	G	W	Bi	N	M	J	K					
SAP 201		12																SA 201G		
201-8	1/2	15	1 3/16	4 7/8	3 5/8	1 7/16	3/4	7/16	1 7/32	2 23/64	1.1260	0.2559	0.4960	0.3740	1.1260	3/8	SA 201-8G	P 203	1.6	
202		17	30.2	124	92	37	19	11	13	60	28.6	6.5	12.6	9.5	28.6		202G			
202-10	5/8																202-10G			
203																	203G			
SAP 204-12	3/4	20	1 5/16	5	3 3/4	1 1/2	1 1/16	7/16	9/16	2 19/32	1.2205	0.2953	0.5512	0.3740	1.3110	3/8	SA 204-12G	P 204	1.7	
204			33.3	127	95	38	17	11	14	66	31.0	7.5	14.0	9.5	33.3		204G			
SAP 205-14	7/8	25	1 7/16	5 1/2	4 1/8	1 1/2	1 1/16	1/2	5/8	2 27/32	1.2205	0.2953	0.5513	0.3740	1.5000	3/8	SA 205-14G	P 205	2.1	
205-15	15/16																205-15G			
205			36.5	140	105	38	17	13	16	72	31.0	7.5	14.0	9.5	38.1		205G			
205-16	1																205-16G			
SAP 206-17	1 1/16	30	1 11/16*	6 9/16	4 3/4	1 3/4	1 3/16	9/16	1 1/16	3 19/64	1.4055	0.3543	0.5827	0.4685	1.7520	1/2	SA 206-17G	P 206	3.0	
206-18	1 1/8		42.9	160	121	44	21	14	18	84	35.7	9.0	14.8	11.9	44.5		206-18G			
206																	206G			
206-19	1 3/16																206-19G			
206-20	1 1/4 S																206-20G			
SAP 207-20	1/4	35	1 7/8	6 17/32	5	1 29/32	7/8	9/16	3/4	3 11/16	1.5315	0.3740	0.6260	0.5315	2.1890	1/2	SA 207-20G	P 207	4.1	
207-21	1 5/16		47.6	166	127	48	22	14	19	94	38.9	9.5	15.9	13.5	55.6		207-21G			
207-22	1 3/8																207-22G			
207																	207G			
207-23	1 7/16																207-23G			
SAP 208-24	1 1/2	40	1 15/16**	7 1/8	5 7/16	2	7/8	9/16	1 3/16	4	1.7205	0.4331	0.7559	0.5315	2.3740	1/2	SA 208-24G	P 208	5.1	
208-25	1 9/16		49.2	181	137	51	22	14	21	102	43.7	11.0	19.2	13.5	60.3		208-25G			
208																	208G			
SAP 209-26	1 5/8	45	2 1/8	7 1/2	5 3/4	2 1/8	1 3/16	1 9/32	7/8	4 17/64	1.7205	0.4331	0.7559	0.5315	2.5000	1/2	SA 209-26G	P 209	5.9	
209-27	1 11/16		54.0	190	146	54	21	15	22	109	43.7	11.0	19.2	13.5	63.5		209-27G			
209-28	1 3/4																209-28G			
209																	209G			
SAP 210-30	1 7/8	50	2 1/4	8	6 1/4	2 1/4	1 5/16	2 3/32	1 5/16	4 33/64	1.7205	0.4331	0.7559	0.5315	2.7520	5/8	SA 210-30G	P 210	6.8	
210-31	1 15/16		57.2	203	159	57	24	18	24	115	43.7	11.0	19.2	13.5	69.9		210-31G			
210																	210G			
210-32	2 S																210-32G			
SAP 211-32	2	55	2 1/2	8 5/8	6 7/8	2 3/8	1 5/16	2 3/32	1 1/16	5 1/32	1.9055	1.4724	0.8031	0.6300	3.0000	5/8	SA 211-32G	P 211	9.0	
211-34	2 1/8		63.5	220	174	60	24	18	27	128	48.4	12.0	20.4	16.0	76.2		211-34G			
211																	211G			
211-35	2 9/16																211-35G			

Interchange Page 47

\*Also available 1 5/8"

\*\*Also available 2 1/8"

STANDARD PRODUCTS



# UCPX Pillow Blocks



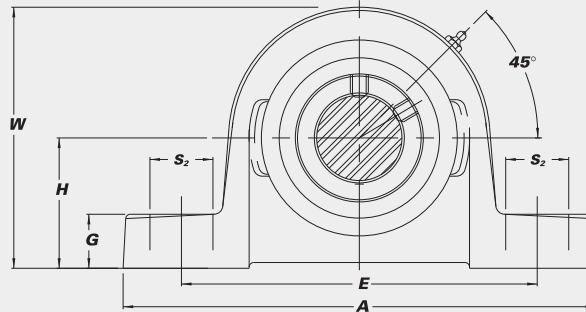
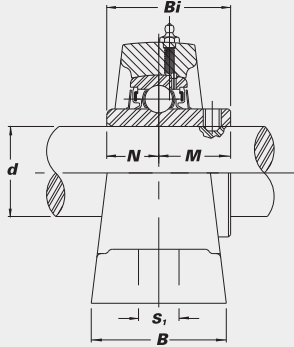
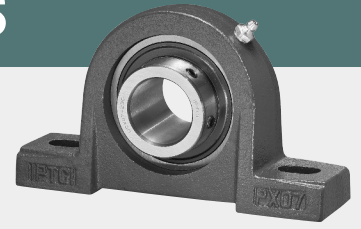
B-type Seal



L3-type Seal

## Medium duty with set screw lock.

- Wide inner race bearing with greater load carrying capacity than standard duty
- Cast iron housing
- B-type seals
- L3-type seals available in some sizes



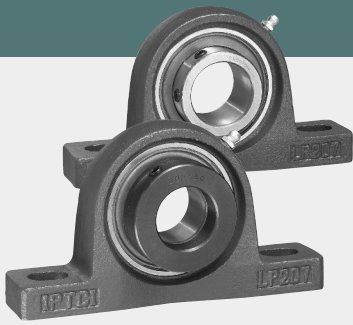
Unit No.	Shaft Dia.		Dimensions (in.) (mm)										Bolt Used	Bearing No.	Housing No.	Weight (lbs.)	
	d (in.)	d (mm)	H	A	E	B	S <sub>2</sub>	S <sub>1</sub>	G	W	Bi	N					M
UCP X05-14 X05-15 X05-16	7/8 15/16 1	25	1 11/16 42.9	6 5/16 160	4 3/4 121	1 3/4 44	1 3/16 21	9/16 14.2	1 1/16 18	3 19/64 83.7	1.5000 38.1	0.6260 15.9	0.8740 22.2	1/2	UC X05-14 X05-15 X05-16	P X05	3.5
UCP X06-18 X06-19 X06-20	1 1/8 1 3/16 1 1/4	30	1 7/8 47.6	6 17/32 165.9	5 127	1 29/32 48.5	7/8 22.4	9/16 14.2	3/4 19.1	3 11/16 93.7	1.6890 42.9	0.6890 17.5	1.0000 25.4	1/2	UC X06-18 X06-19 207-20	P 207	4.6
UCP X07-22 X07 X07-23	1 3/8 1 7/16	35	2 1/8 54.0	7 1/4 184.2	5 17/32 140.5	1 15/16 49.2	1 5/16 23.8	9/16 14.2	1 3/16 20.6	4 3/16 106.4	1.9370 49.2	0.7480 19.0	1.1890 30.2	1/2	UC X07-22 X07 X07-23	P X07	6.0
UCP X08-24 X08	1 1/2	40	2 1/8 54.0	7 1/2 190.5	5 3/4 146.1	2 1/8 54.1	1 13/16 20.6	1 9/32 15	7/8 22.3	4 17/64 108.3	1.9370 49.2	0.7480 19.0	1.1890 30.2	1/2	UC X08-24 X08	P 209	7.7
UCP X09-26 X09-27 X09-28 X09	1 5/8 1 11/16 1 3/4	45	2 1/4 57.2	8 203.2	6 1/4 158.8	2 1/4 57.2	1 5/16 23.8	2 3/32 18.3	1 5/16 23.8	4 33/64 114.7	2.0315 51.6	0.7480 19.0	1.2835 32.6	5/8	UC X09-26 X09-27 X09-28 X09	P 210	8.2
UCP X10-30 X10-31 X10 X10-32	1 7/8 1 15/16	50	2 1/2 63.5	8 5/8 219.2	6 7/8 174.8	2 3/8 60.5	1 5/16 23.8	2 3/32 18.3	1 1/16 26.9	5 1/32 127.8	2.1890 55.6	0.8740 22.2	1.3150 33.4	5/8	UC X10-30 X10-31 X10 211-32	P 211	10.1
UCP X11-34 X11 X11-35 X11-36	2 1/8 2 3/16 2 1/4	55	2 3/4 69.8	9 17/32 242.1	7 11/32 186.4	2 1/2 63.5	1 25.4	2 5/32 19.8	1 1/16 26.9	5 59/64 140.1	2.5630 65.1	1.0000 25.4	1.5630 39.7	5/8	UC X11-34 X11 X11-35 212-36	P 212	14.1
UCP X12 X12-38 X12-39	2 3/8 2 7/16	60	3 76.2	10 3/4 273.1	8 1/8 206.4	2 11/16 68.3	1 9/16 30.2	1 13/16 20.4	1 1/8 28.6	5 63/64 152	2.5630 65.1	1.0000 25.4	1.5630 39.7	5/8	UC X12 X12-38 X12-39	P X12	17.0
UCP X13-40 X13	2 1/2	65	3 76.2	10 3/4 273.1	8 1/8 206.4	2 11/16 68.3	1 9/16 30.2	1 13/16 20.4	1 1/8 28.6	5 63/64 152	2.9370 74.6	1.1890 30.2	1.7480 44.4	5/8	UC X13-40 X13	P X13	17.3
UCP X14-43 X14-44 X14	2 11/16 2 3/4	70	3 1/2 88.9	13 330	9 229	3 1/2 89	2 51	1 1/16 27	1 3/8 35	6 25/32 172	3.0630 77.8	1.3110 33.3	1.7520 44.5	7/8	UC X14-43 X14-44 X14	P X14	24.5
UCP X15 X15-47 X15-48	2 15/16 3	75	3 1/2 88.9	11 3/4 298.5	9 1/8 231.8	3 76.2	1 1/16 36.5	1 25.4	1 3/8 35	7 1/32 178.6	3.2520 82.6	1.3110 33.3	1.9410 49.3	7/8	UC X15 X15-47 X15-48	P X15	23.6
UCP X17 X17-55 X17-56	3 7/16 3 1/2	85	4 101.6	14 355.6	11 1/16 281	3 3/8 85.7	1 13/16 46	1 25.4	1 9/16 40	8 203.2	3.7795 96.0	1.5630 39.7	2.2165 56.3	7/8	UC X17 X17-55 X17-56	P X17	35.7
UCP X20 X20-63 X20-64	3 15/16 4	100	5 127.0	17 432	13 1/4 337	4 102	2 51	1.13 29	1 13/16 46	9 27/32 250	4.6260 117.5	1.9370 49.2	2.6890 68.3	1	UC X20 X20-63 X20-64	P X20	66.8

Interchange Page 47

STANDARD PRODUCTS



# SBLP & SALP Pillow Blocks

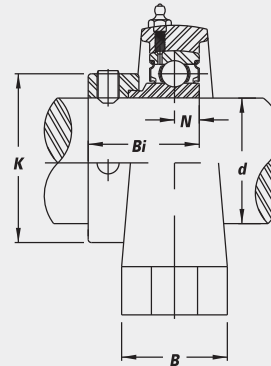
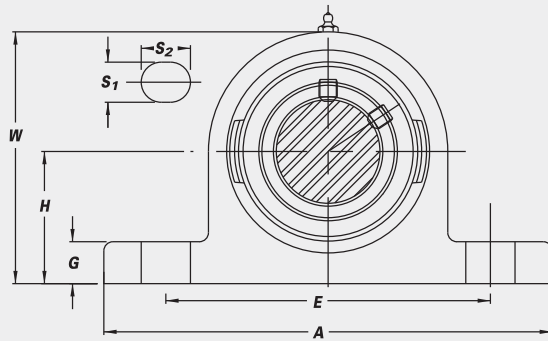


## Light duty.

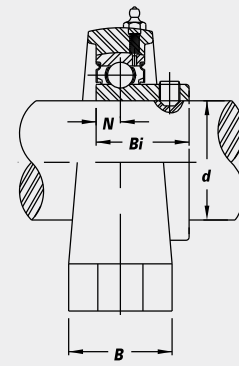
- K-type seals
- Narrow inner race bearing
- Relubricatable unless otherwise specified



K-type Seal



SALP



SBLP

## SBLP Set screw type

Unit No.	Shaft Dia.		Dimensions (in. (mm))										Bolt Used (in.)	Bearing No.	Housing No.	Weight (lbs.)
	d (in.)	d (mm)	H	A	E	B	S <sub>2</sub>	S <sub>1</sub>	G	W	Bi	N				
SBLP 201-8 202	1/2	15	13/16	4 1/2	3 7/16	1	5/8	7/16	15/32	2 1/4	0.8661	0.2362	3/8	SB 201-8G 202G	LP 203	0.8
202-10	5/8	30.2	114	87	25	16	11	12	57	22.0	6.0					
SBLP 204-12 204	3/4	20	15/16	4 23/32	3 13/16	1 1/16	5/8	7/16	1/2	2 9/16	0.9843	0.2756	3/8	SB 204-12G 204G	LP 204	1.0
204	33.3	125	97	27	16	11	13	65	25.0	7.0						
SBLP 205-14 205-15 205	7/8	25	17/16	5 1/8	3 15/16	1 5/32	5/8	7/16	1/2	2 25/32	1.0630	0.2953	3/8	SB 205-14G 205-15G 205G	LP 205	1.3
205-16	1	36.5	130	100	29	16	11	13	71	27.0	7.5					
SBLP 206-18 206	1 1/8	30	1 11/16	6 5/32	4 11/16	1 5/16	13/16	9/16	9/16	3 9/32	1.1811	0.3150	1/2	SB 206-18G 206G	LP 206	1.5
206-19 206-20	1 3/16 1 1/4S	42.9	156	119	33	21	14	14	83	30.0	8.0					
SBLP 207-20 207-22 207	1 1/4	35	1 7/8	6 1/2	5	1 3/8	13/16	9/16	5/8	3 23/32	1.2992	0.3740	1/2	SB 207-20G 207-22G 207G	LP 207	2.1
207-23	1 7/16	47.6	165	127	35	21	14	16	94	33.0	9.5					

## SALP Eccentric locking collar type

Unit No.	Shaft Dia.		Dimensions (in. (mm))											Bolt Used (in.)	Bearing No.	Housing No.	Weight (lbs.)
	d (in.)	d (mm)	H	A	E	B	S <sub>2</sub>	S <sub>1</sub>	G	W	Bi	N	K				
SALP 201-8 202	1/2	15	13/16	4 1/2	3 7/16	1	5/8	7/16	15/32	2 1/4	1.1260	0.2559	1 1/8	SA 201-8G 202G	LP 203	0.9	
202-10	5/8	30.2	114	87	25	16	11	12	57	28.6	6.5	29					
SALP 204-12 204	3/4	20	15/16	4 23/32	3 13/16	1 1/16	5/8	7/16	1/2	2 9/16	1.2205	0.2953	1 1/4	SA 204-12G 204G	LP 204	1.2	
204	33.3	125	97	27	16	11	13	65	31.0	7.5	33						
SALP 205-14 205-15 205	7/8	25	17/16	5 1/8	3 15/16	1 5/32	5/8	7/16	1/2	2 25/32	1.2205	0.2953	1 1/2	SA 205-14G 205-15G 205G	LP 205	1.4	
205-16	1	36.5	130	100	29	16	11	13	71	31.0	7.5	38					
SALP 206-18 206	1 1/8	30	1 11/16	6 5/32	4 11/16	1 5/16	13/16	9/16	9/16	3 9/32	1.4055	0.3543	1 3/4	SA 206-18G 206-G	LP 206	1.7	
206-19 206-20	1 3/16 1 1/4S	42.9	156	119	33	21	14	14	83	35.7	9.0	45					
SALP 207-20 207-22 207	1 1/4	35	1 7/8	6 1/2	5	1 3/8	13/16	9/16	5/8	3 23/32	1.5315	0.3740	2 3/16	SA 207-20G 207-22G 207G	LP 207	2.4	
207-23	1 7/16	47.6	165	127	35	21	14	16	94	38.9	9.5	56					

Interchange Page 47

STANDARD PRODUCTS

# UCPA Tapped Base Pillow Blocks



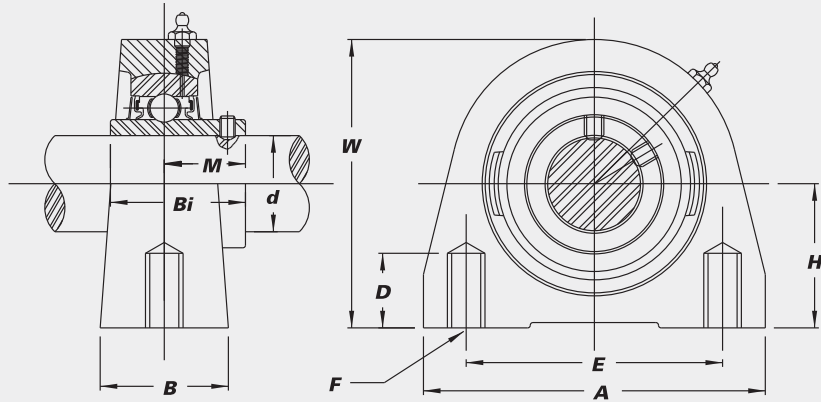
B-type Seal



L3-type Seal

## Standard duty with set screw lock.

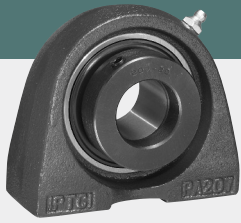
- Cast iron housing
- Wide inner race bearing
- B-type seals
- L3-type seals available in some sizes



Unit No.	Shaft Dia.		Dimensions (in.) (mm)									Bearing No.	Housing No.	Weight (lbs.)	
	d (in.)	d (mm)	H	A	E	B	W	F-Tapped Holes	D-Min Tap Depth	M	Bi				
UCPA 201-8	1/2												UC 201-8		
202-10	5/8												202-10		
203		17	15/16	27/8	2	1 1/2	29/16	3/8"-16	1/2	0.7205	1.2205		203	PA 204	1.4
204-12	3/4												204-12		
204		20	33.3	73	50.8	38	65	UNC	13	18.3	31.0		204		
UCPA 205-14	7/8												UC 205-14		
205-15	15/16												205-15		
205		25	17/16	3	2	1 1/2	2 13/16	3/8"-16	1/2	0.7756	1.3386		205	PA 205	1.6
205-16	1												205-16		
UCPA 206-17	1 1/16												UC 206-17		
206-18	1 1/8												206-18		
206		30	1 11/16	4	3	1 1/2	3 3/8	7/16"-14	5/8	0.8740	1.5000		206	PA 206	2.6
206-19	1 3/16												206-19		
206-20	1 1/4 S												206-20		
UCPA 207-20	1 1/4												UC 207-20		
207-21	1 5/16												207-21		
207-22	1 3/8												207-22		
207		35	1 7/8	4 1/4	3 1/4	1 7/8	3 3/4	1/2"-13	3/4	1.0000	1.6890		207	PA 207	3.6
207-23	1 7/16												207-23		
UCPA 208-24	1 1/2												UC 208-24		
208-25	1 9/16												208-25		
208		40	1 15/16	4 5/8	3 1/2	1 7/8	3 15/16	1/2"-13	3/4	1.1890	1.9370		208	PA 208	4.0
UCPA 209-26	1 5/8												UC 209-26		
209-27	1 11/16												209-27		
209-28	1 3/4												209-28		
209		45	2 1/8	5	3 3/4	2	4 1/4	1/2"-13	3/4	1.1890	1.9370		209	PA 209	5.0
UCPA 210-30	1 7/8												UC 210-30		
210-31	1 15/16												210-31		
210		50	2 1/4	5 1/2	4	2	4 5/8	5/8"-11	7/8	1.2835	2.0315		210	PA 210	5.9
210-32	2 S												210-32		

Interchange Page 47

# NAPA Tapped Base Pillow Blocks



## Standard duty with eccentric locking collar.

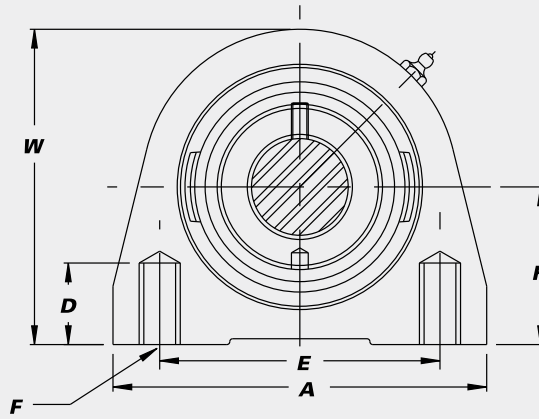
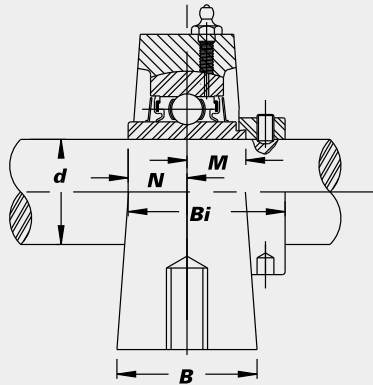
- Cast iron housing
- Wide inner race bearing
- B-type seals
- L3-type seals available in some sizes



B-type Seal



L3-type Seal



STANDARD PRODUCTS

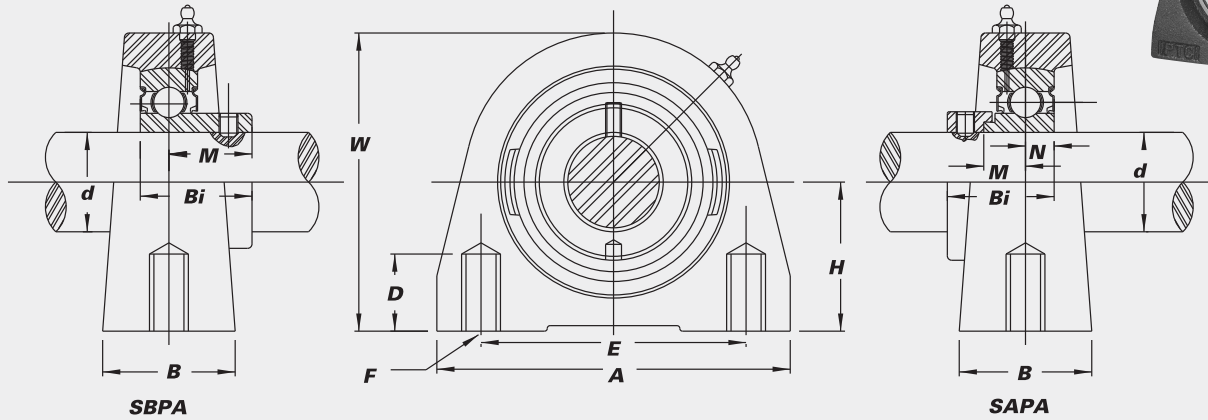
Unit No.	Shaft Dia.		Dimensions (in.)										Bearing No.	Housing No.	Weight (lbs.)	
	<i>d</i>	<i>d</i>	<i>H</i>	<i>A</i>	<i>E</i>	<i>B</i>	<i>W</i>	<i>F</i> -Tapped Holes	<i>D</i> -Min Tap Depth	<i>M</i>	<i>N</i>	<i>Bi</i>				
	(in.)	(mm)														
NAPA 201-8	1/2												NA 201-8			
202-10	5/8		1 5/16	2 7/8	2	1 1/2	2 9/16	3/8"-16	1/2	0.6693	0.6693	1.7126	202-10			
204-12	3/4		33.3	73	50.8	38	65	UNC	13	17.0	17.0	43.5	204-12	PA 204	1.6	
204		20											204			
NAPA 205-14	7/8												NA 205-14			
205-15	1 5/16		1 7/16	3	2	1 1/2	2 13/16	3/8"-16	1/2	0.6850	0.6850	1.7441	205-15			
205		25	36.5	76	50.8	38	71	UNC	13	17.4	17.4	44.3	205	PA 205	1.7	
205-16	1												205-16			
NAPA 206-17	1 1/16												NA 206-17			
206-18	1 1/8		1 11/16	4	3	1 1/2	3 3/8	7/16"-14	5/8	0.7165	0.7165	1.9016	206-18			
206		30	42.9	102	76.2	38	86	UNC	16	18.2	18.2	48.3	206	PA 206	2.8	
206-19	1 3/16												206-19			
206-20	1 1/4 S												206-20			
NAPA 207-20	1 1/4												NA 207-20			
207-21	1 5/16		1 7/8	4 1/4	3 1/4	1 7/8	3 3/4	1/2"-13	3/4	0.7402	0.7402	2.0118	207-21			
207-22	1 3/8		47.6	108	82.6	48	95	UNC	19	18.8	18.8	51.1	207-22	PA 207	3.9	
207		35											207			
207-23	1 7/16												207-23			
NAPA 208-24	1 1/2												NA 208-24			
208-25	1 9/16		1 15/16	4 5/8	3 1/2	1 7/8	3 15/16	1/2"-13	3/4	0.8425	0.8425	2.2165	208-25			
208		40	49.2	117	88.9	48	100	UNC	19	21.4	21.4	56.3	208	PA 208	4.4	
NAPA 209-26	1 5/8												NA 209-26			
209-27	1 11/16		2 1/8	5	3 3/4	2	4 1/4	1/2"-13	3/4	0.8425	0.8425	2.2165	209-27			
209-28	1 3/4		54.0	127	95.3	51	108	UNC	19	21.4	21.4	56.3	209-28	PA 209	5.4	
209		45											209			
NAPA 210-30	1 7/8												NA 210-30			
210-31	1 15/16		2 1/4	5 1/2	4	2	4 5/8	5/8"-11	7/8	0.9685	0.9685	2.4685	210-31			
210		50	57.2	140	101.6	51	117	UNC	22	24.6	24.6	62.7	210	PA 210	6.3	
210-32	2 S												210-32			

Interchange Page 47

# SBPA & SAPA Tapped Base Pillow Blocks



- Cast iron housing
- K-type seals
- Narrow inner race bearing



## SBPA Set screw type

Unit No.	Shaft Dia.		Dimensions (in.) (mm)									Bearing No.	Housing No.	Weight (lbs.)	
	d (in.)	d (mm)	H	A	E	B	W	F-Tapped Holes	D-Min Tap Depth	M	Bi				
SBPA 204-12 204	3/4	20	1 <sup>5</sup> / <sub>16</sub> 33.3	2 <sup>7</sup> / <sub>8</sub> 73	2 50.8	1 <sup>1</sup> / <sub>2</sub> 38	2 <sup>9</sup> / <sub>16</sub> 65	3/8"-16 UNC	1/2 13	0.7087 18.0	0.9843 25.0	SB 204-12G 204G	PA 204	1.3	
SBPA 205-14 205-15 205	7/8	25	1 <sup>7</sup> / <sub>16</sub> 36.5	3 76	2 50.8	1 <sup>1</sup> / <sub>2</sub> 38	2 <sup>13</sup> / <sub>16</sub> 71	3/8"-16 UNC	1/2 13	0.7677 19.5	1.0630 27.0	SB 205-14G 205-15G 205G	PA 205	1.5	
SBPA 205-16	1												205-16G		
SBPA 206-17 206-18 206	1 <sup>1</sup> / <sub>16</sub> 1 <sup>1</sup> / <sub>8</sub>		30	1 <sup>11</sup> / <sub>16</sub> 42.9	4 102	3 76.2	1 <sup>1</sup> / <sub>2</sub> 38	3 <sup>3</sup> / <sub>8</sub> 86	7/16"-14 UNC	5/8 16	0.8661 22.0	1.1811 30.0	SB 206-17G 206-18G 206G	PA 206	2.5
SBPA 206-19 206-20	1 <sup>3</sup> / <sub>16</sub> 1 <sup>1</sup> / <sub>4</sub> S												206-19G 206-20G		
SBPA 207-20 207-21 207-22 207	1 <sup>1</sup> / <sub>4</sub> 1 <sup>5</sup> / <sub>16</sub> 1 <sup>3</sup> / <sub>8</sub>	35		1 <sup>7</sup> / <sub>8</sub> 47.6	4 <sup>1</sup> / <sub>4</sub> 108	3 <sup>3</sup> / <sub>4</sub> 82.6	1 <sup>7</sup> / <sub>8</sub> 48	3 <sup>3</sup> / <sub>4</sub> 95	1/2"-13 UNC	3/4 19	0.9252 23.5	1.2992 33.0	SB 207-20G 207-21G 207-22G 207G	PA 207	3.4
SBPA 207-23	1 <sup>7</sup> / <sub>16</sub>												207-23G		
SBPA 208-24 208	1 <sup>1</sup> / <sub>2</sub>		40	1 <sup>15</sup> / <sub>16</sub> 49.2	4 <sup>5</sup> / <sub>8</sub> 117	3 <sup>1</sup> / <sub>2</sub> 88.9	1 <sup>7</sup> / <sub>8</sub> 48	3 <sup>15</sup> / <sub>16</sub> 100	1/2"-13 UNC	3/4 19	0.9843 25.0	1.4173 36.0	SB 208-24G 208G	PA 208	3.8

## SAPA Eccentric locking collar type

Unit No.	Shaft Dia.		Dimensions (in.) (mm)									Bearing No.	Housing No.	Weight (lbs.)	
	d (in.)	d (mm)	H	A	E	B	W	F-Tapped Holes	D-Min Tap Depth	M	N				Bi
SAPA 204-12 204	3/4	20	1 <sup>5</sup> / <sub>16</sub> 33.3	2 <sup>7</sup> / <sub>8</sub> 73	2 50.8	1 <sup>1</sup> / <sub>2</sub> 38	2 <sup>9</sup> / <sub>16</sub> 65	3/8"-16 UNC	1/2 13	0.5112 14.0	0.2953 7.5	1.2205 31.0	SA 204-12G 204G	PA 204	1.4
SAPA 205-14 205-15 205	7/8	25	1 <sup>7</sup> / <sub>16</sub> 36.5	3 76	2 50.8	1 <sup>1</sup> / <sub>2</sub> 38	2 <sup>13</sup> / <sub>16</sub> 71	3/8"-16 UNC	1/2 13	0.5513 14.0	0.2953 7.5	1.2205 31.0	SA 205-14G 205-15G 205G	PA 205	1.6
SAPA 205-16	1												205-16G		
SAPA 206-17 206-18 206	1 <sup>1</sup> / <sub>16</sub> 1 <sup>1</sup> / <sub>8</sub>		30	1 <sup>11</sup> / <sub>16</sub> 42.9	4 102	3 76.2	1 <sup>1</sup> / <sub>2</sub> 38	3 <sup>3</sup> / <sub>8</sub> 86	7/16"-14 UNC	5/8 16	0.5827 14.8	0.3543 9.0	1.4055 35.7	SA 206-17G 206-18G 206G	PA 206
SAPA 206-19 206-20	1 <sup>3</sup> / <sub>16</sub> 1 <sup>1</sup> / <sub>4</sub> S												206-19G 206-20G		
SAPA 207-20 207-21 207-22 207	1 <sup>1</sup> / <sub>4</sub> 1 <sup>5</sup> / <sub>16</sub> 1 <sup>3</sup> / <sub>8</sub>	35		1 <sup>7</sup> / <sub>8</sub> 47.6	4 <sup>1</sup> / <sub>4</sub> 108	3 <sup>3</sup> / <sub>4</sub> 82.6	1 <sup>7</sup> / <sub>8</sub> 48	3 <sup>3</sup> / <sub>4</sub> 95	1/2"-13 UNC	3/4 19	0.6260 15.9	0.3740 9.5	1.5315 38.9	SA 207-20G 207-21G 207-22G 207G	PA 207
SAPA 207-23	1 <sup>7</sup> / <sub>16</sub>												207-23G		
SAPA 208-24	1 <sup>1</sup> / <sub>2</sub>		40	1 <sup>15</sup> / <sub>16</sub> 49.2	4 <sup>5</sup> / <sub>8</sub> 117	3 <sup>1</sup> / <sub>2</sub> 88.9	1 <sup>7</sup> / <sub>8</sub> 48	3 <sup>15</sup> / <sub>16</sub> 100	1/2"-13 UNC	3/4 19	0.7559 19.2	0.4331 11.0	1.7205 43.7	SA 208-24G	PA 208
SAPA 209-27 209-28	1 <sup>11</sup> / <sub>16</sub> 1 <sup>3</sup> / <sub>4</sub>	54.0	2 <sup>1</sup> / <sub>8</sub> 54.0	5 127	3 <sup>3</sup> / <sub>4</sub> 95.3	2 51	4 <sup>1</sup> / <sub>4</sub> 108	1/2"-13 UNC	3/4 19	0.7559 19.2	0.4331 11.0	1.7205 43.7	SA 209-27G 209-28G	PA 209	5.1
SAPA 210-30 210-31 210-32	1 <sup>7</sup> / <sub>8</sub> 1 <sup>15</sup> / <sub>16</sub> 2S		57.2	5 <sup>1</sup> / <sub>2</sub> 140	4 101.6	2 51	4 <sup>5</sup> / <sub>8</sub> 117	5/8"-11 UNC	7/8 22	0.7559 19.2	0.4331 11.0	1.7205 43.7	SA 210-30G 210-31G 210-32G	PA 210	5.9

Interchange Page 47

STANDARD PRODUCTS

# UCF 4-Bolt Flange Units



## Standard duty with set screw lock.

- Cast iron housing
- Wide inner race bearing

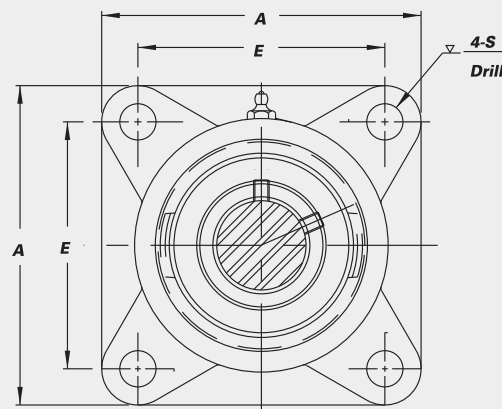
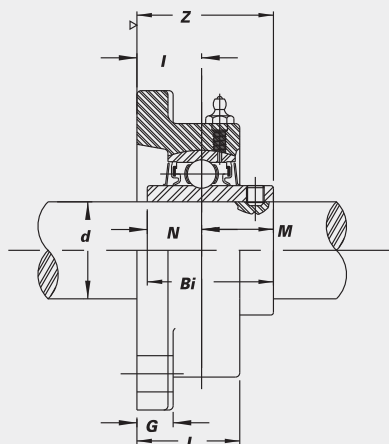
- B-type or L3 type seals
- Available with high temp. bearing - See page 46



B-type Seal



L3-type Seal



STANDARD PRODUCTS

Unit No.	Shaft Dia.		Dimensions (in.) (mm)										Bolt Used (in.)	Bearing No.	Housing No.	Weight (lbs.)			
	d (in.)	d (mm)	A	E	I	G	L	S	Z	Bi	N	M							
UCF 201		12															UCW 201		
201-8	1/2		3	2 1/8	2 1/32	3/8	1 3/32	7/16	1 9/32	1.0236	0.3937	0.6299	3/8	201-8					
202	5/8	15	76	54	16.7	10	28	11	32.7	26.0	10.0	16.0	3/8	202	F 203		1.2		
202-10														202-10					
203		17												203					
UCF 204-12	3/4	20	86	64	15	11	25.4	11	33.3	31.0	12.7	18.3	3/8	UC 204-12	F 204		1.4		
204														204					
UCF 205-14	7/8	25	95	70	16	13	27	11.5	35.7	34.0	14.3	19.7	3/8	UC 205-14	F 205		1.9		
205-15	1 1/16													205-15					
205														205					
205-16	1													205-16					
UCF 206-17	1 1/16	30	108	83	18	13	31	13	40.2	38.1	15.9	22.2	7/16	UC 206-17	F 206		2.4		
206-18	1 1/8													206-18					
206														206					
206-19	1 3/16													206-19					
206-20	1 1/4 S													206-20					
UCF 207-20	1 1/4	35	117	92	19	15	34	13	44.4	42.9	17.5	25.4	7/16	UC 207-20	F 207		3.3		
207-21	1 5/16													207-21					
207-22	1 3/8													207-22					
207														207					
207-23	1 7/16													207-23					
UCF 208-24	1 1/2	40	130	102	21	15	36	14	51.2	49.2	19.0	30.2	1/2	UC 208-24	F 208		4.2		
208-25	1 9/16													208-25					
208														208					
UCF 209-26	1 5/8	45	137	105	22	16	38	16	52.2	49.2	19.0	30.2	9/16	UC 209-26	F 209		5.2		
209-27	1 11/16													209-27					
209-28	1 3/4													209-28					
209														209					
UCF 210-30	1 7/8	50	143	111	22	16	40	16	54.6	51.6	19.0	32.6	9/16	UC 210-30	F 210		5.6		
210-31	1 15/16													210-31					
210														210					
210-32	2 S													210-32					
UCF 211-32	2	55	165	130	25	18	43	17	58.4	55.6	22.2	33.4	5/8	UC 211-32	F 211		7.7		
211-34	2 1/8													211-34					
211														211					
211-35	2 3/16													211-35					
UCF 212-36	2 1/4	60	175	143	29	18	48	17	68.7	65.1	25.4	39.7	5/8	UC 212-36	F 212		9.4		
212														212					
212-38	2 3/8													212-38					
212-39	2 7/16													212-39					
UCF 213-40	2 1/2	65	187	149	30	22	50	17	69.7	65.1	25.4	39.7	5/8	UC 213-40	F 213		12.9		
213														213					
UCF 214-43	2 11/16	70	193	152	31	23	54	19	75.4	74.6	30.2	44.4	1 1/16	UC 214-43	F 214		13.9		
214-44	2 3/4													214-44					
214														214					
UCF 215-47	2 5/16	75	200	159	34	22	56	19	78.5	77.8	33.3	44.5	1 1/16	UC 215-47	F 215		17.0		
215														215					
215-48	3													215-48					

\*Also available as 6", where Z = 3 3/8"—specify UCNF. Interchange Page 47

# NANF 4-Bolt Flange Units



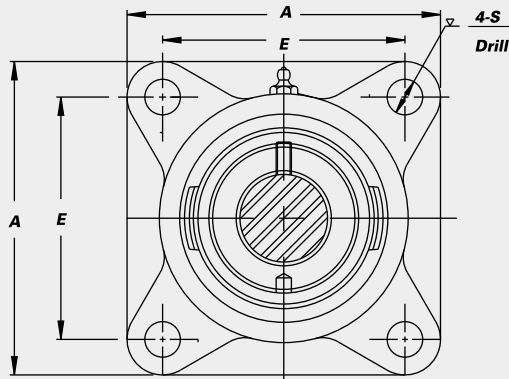
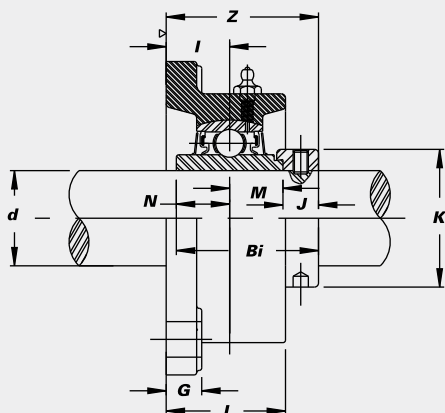
B-type Seal



L3-type Seal

## Standard duty with eccentric locking collar.

- Cast iron housing
- Wide inner race bearing
- B-type or L3-type seals



Unit No.	Shaft Dia.		Dimensions (in.) (mm)											Bolt Used (in.)	Bearing No.	Housing No.	Weight (lbs.)					
	d (in.)	d (mm)	A	E	I	G	L	S	Z	Bi	N	M	J					K				
NANF 201		12																NAW201				
201-8	1/2		3	2 1/8	2 1/32	3/8	1 3/32	7/16	1 37/64	1.4685	0.5472	0.5472	0.3740	1.1260	3/8							
202		15	76	54	16.7	10	28	11	40.1	37.3	13.9	13.9	9.5	28.6				F 203			1.3	
202-10	5/8																					
203		17																				
NANF 204-12	3/4		3 3/8	2 1/2	3/4	1 9/32	1 5/32	7/16	1 25/32	1.7126	0.6693	0.6693	0.3740	1.3110	3/8			NA 204-12	NF 204		1.8	
204		20	86	64	19	15	29.5	11	45.5	43.5	17.0	17.0	9.5	33.3								
NANF 205-14	7/8																	NA 205-14				
205-15	1 5/16		3 3/4	2 3/4	2 5/32	1 9/32	1 7/32	2 9/64	1 27/32	1.7441	0.6850	0.6850	0.3740	1.5000	3/8							
205		25	95	70	20	15	31	11.5	46.9	44.3	17.4	17.4	9.5	38.1				NF 205			2.1	
205-16	1																					
NANF 206-17	1 1/16																	NA 206-17				
206-18	1 1/8		4 1/4	3 1/4	5 3/64	5/8	1 31/32	3 3/64	2	1.9016	0.7165	0.7165	0.4685	1.7520	7/16							
206		30	108	83	21	16	34	13	51.1	48.3	18.2	18.2	11.9	44.5				NF 206			2.9	
206-19	1 3/16																					
206-20	1 1/4 S																					
NANF 207-20	1 1/4																	NA 207-20				
207-21	1 5/16		4 1 3/32	3 5/8	2 7/32	2 1/32	1 7/16	3 3/64	2 1/8	2.0118	0.7402	0.7402	0.5315	2.1890	7/16							
207-22	1 3/8		117	92	21.5	17	36.5	13	53.8	51.1	18.8	18.8	13.5	55.6				NF 207			3.9	
207		35																				
207-23	1 7/16																					
NANF 208-24	1 1/2																	NA 208-24				
208-25	1 9/16		5 1/8	4	1 5/16	2 1/32	1 17/32	3 5/64	2 5/16	2.2165	0.8425	0.8425	0.5315	2.3740	1/2							
208		40	130	102	24	17	39	14	58.9	56.3	21.4	21.4	13.5	60.3				NF 208			4.9	
NANF 209-26	1 5/8																	NA 209-26				
209-27	1 11/16		5 13/32	4 1/8	1 5/16	2 3/32	1 9/16	5/8	2 5/16	2.2165	0.8425	0.8425	0.5315	2.5000	9/16							
209-28	1 3/4		137	105	24	18	40	16	58.9	56.3	21.4	21.4	13.5	63.5				NF 209			5.7	
209		45																				
NANF 210-30	1 7/8																	NA 210-30				
210-31	1 15/16		5 5/8	4 3/8	1 1/8	2 5/32	1 27/32	5/8	2 5/8	2.4685	0.9685	0.9685	0.5315	2.7520	9/16							
210		50	143	111	28.5	20	46.5	16	66.6	62.7	24.6	24.6	13.5	69.9				NF 210			6.5	
210-32	2 S																					
NANF 211-32	2																	NA 211-32				
211-34	2 1/8		6 3/8	5 1/8	1 17/64	1 3/16	1 31/32	4 3/64	2 31/32	2.8110	1.0906	1.0906	0.6299	3.0000	5/8							
211		55	162	130	32	21	50	17	75.7	71.4	27.7	27.7	16.0	76.2				NF 211			9.0	
211-35	2 3/16																					
NANF 212-36	2 1/4																	NA 212-36				
212		60	6 7/8	5 5/8	1 27/64	1 3/16	2 5/32	4 3/64	3 1/4	3.0630	1.2165	1.2165	0.6299	3.3150	5/8							
212-38	2 3/8		175	143	36	21	55	17	82.9	77.8	30.9	30.9	16.0	84.2				NF 212			10.8	
212-39	2 7/16																					
NANF 213-40	2 1/2																	NA 213-40				
213		65	7 3/8	5 7/8	1 1/2	7/8	2 5/16	2 5/32	3 17/32	3.3740	1.3425	1.3425	0.6890	3.3858	3/4							
213		65	187	149	38	22	59	20	90	85.7	34.1	34.1	17.5	86.0				NF 213			13.2	
NANF 215-47	2 15/16																	NA 215-47				
215		75	7 3/4	6	1 5/8	7/8	2 27/64	2 5/32	3 25/32	3.6260	1.4685	1.4685	0.6890	4.0157	3/4							
215-48	3		197	152	42	22	61	20	96	92.0	37.3	37.3	17.5	102.0				NF 215			16.0	

Interchange Page 47

STANDARD PRODUCTS

# SBF 4-Bolt Flange Units

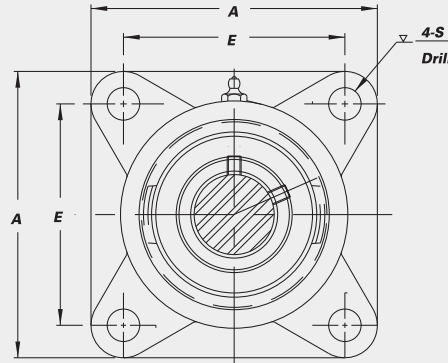
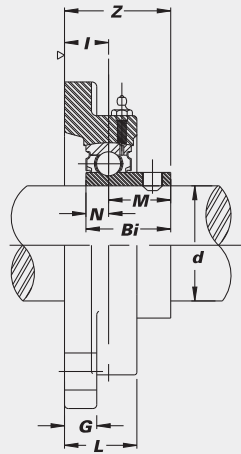


- Cast iron housing
- Narrow inner race bearing

- K-type seals
- Set screw lock



K-type Seal

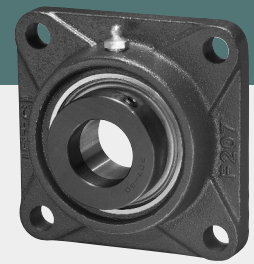


STANDARD PRODUCTS

Unit No.	Shaft Dia.		Dimensions (in. / mm)										Bolt Used (in.)	Bearing No.	Housing No.	Weight (lbs.)	
	d (in.)	d (mm)	A	E	I	G	L	S	Z	Bi	N	M					
SBF 201		12													SB 201G		
201-8	1/2														201-8G		
202		15	3	2 1/8	2 1/32	3/8	1 3/32	7/16	1 9/32	0.8661	0.2362	0.6299	3/8	202G	F 203	1.1	
202-10	5/8		76	54	16.7	10	28	11	32.7	22.0	6.0	16.0		202-10G			
203		17												203G			
SBF 204-12	3/4		3 3/8	2 1/2	1 9/32	7/16	1	7/16	1 19/64	0.9843	0.2750	0.7087	3/8	SB 204-12G	F 204	1.4	
204		20	86	64	15	11	25.4	11	33	25.0	7.0	18.0		204G			
SBF 205-14	7/8		3 3/4	2 3/4	5/8	1/2	1 1/16	2 9/64	1 25/64	1.0630	0.2953	0.7677	3/8	SB 205-14G			
205-15	1 5/16		95	70	16	13	27	11.5	35.3	27.0	7.5	19.5	3/8	205-15G	F 205	1.8	
205		25												205G			
205-16	1													205-16G			
SBF 206-17	1 1/16													SB 206-17G			
206-18	1 1/8													206-18G			
206		30	4 1/4	3 1/4	4 5/64	1/2	1 7/32	3 3/64	1 37/64	1.1811	0.3150	0.8661	7/16	206G	F 206	2.2	
206-19	1 3/16		108	83	18	13	31	13	40.1	30.0	8.0	22.0		206-19G			
206-20	1 1/4 S													206-20G			
SBF 207-20	1 1/4													SB 207-20G			
207-21	1 9/16													207-21G			
207-22	1 3/8		4 1 9/32	3 5/8	3/4	1 9/32	1 11/32	3 3/64	1 43/64	1.2992	0.3740	0.9252	7/16	207-22G	F 207	3.0	
207		35	117	92	19	15	34	13	42.5	33.0	9.5	23.5		207G			
207-23	1 7/16													207-23G			
SBF 208-24	1 1/2													SB 208-24G			
208-25	1 9/16													208-25G			
208		40	5 1/8	4	5 5/64	1 9/32	1 13/32	3 5/64	1 13/16	1.4173	0.4331	0.9843	1/2	208G	F 208	4.1	

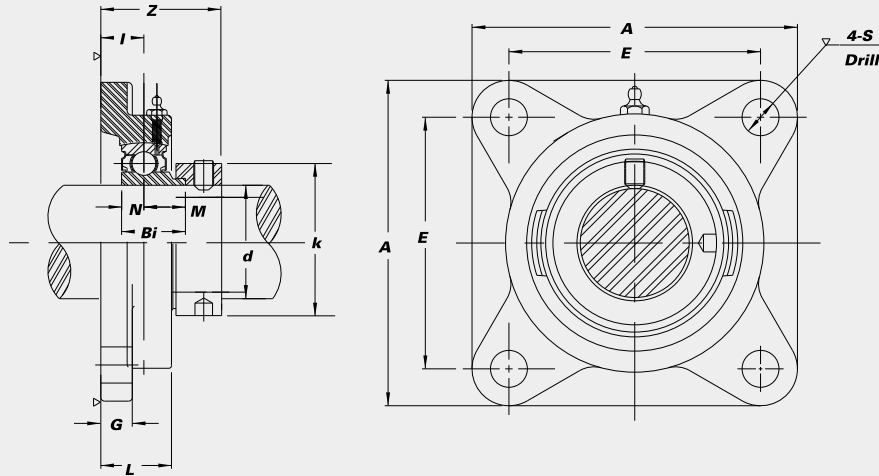
Interchange Page 47

# SAF 4-Bolt Flange Units



K-type Seal

- Cast iron housing
- Narrow inner race bearing
- K-type seals
- Eccentric locking collar



Unit No.	Shaft Dia.		Dimensions (in. (mm))										Bolt Used (in.)	Bearing No.	Housing No.	Weight (lbs.)		
	d (in.)	d (mm)	A	E	I	G	L	S	Z	Bi	N	M					K	
SAF 201		12																
201-8	1/2																	
202		15	3	2 1/8	2 1/32	3/8	1 3/32	7/16	1 17/32	1.1260	0.2559	0.4960	1.1260	3/8	SA 201G			
202-10	5/8		76	54	16.7	10	28	11	38.9	28.6	6.5	12.6	28.6		201-8G	F 203	1.2	
203		17													202G			
SAF 204-12	3/4														202-10G			
204		20	3 3/8	2 1/2	1 9/32	7/16	1	7/16	1 17/32	1.2205	0.2953	0.5512	1.3110	3/8	203G	F 204	1.4	
SAF 205-14	7/8														SA 204-12G			
205-15	1 5/16														204G			
205		25	3 3/4	2 3/4	5/8	1/2	1 1/16	2 9/64	1 35/64	1.2205	0.2953	0.5513	1.5000	3/8	SA 205-14G			
205-16	1		95	70	16	13	27	11.5	39.3	31.0	7.5	14.0	38.1		205-15G	F 205	1.9	
															205G			
															205-16G			
SAF 206-17	1 1/16														SA 206-17G			
206-18	1 1/8														206-18G			
206		30	4 1/4	3 1/4	4 5/64	1/2	1 7/32	3 3/64	1 51/64	1.4055	0.3543	0.5827	1.7520	7/16	206G	F 206	2.4	
206-19	1 3/16		108	83	18	13	31	13	45.6	35.7	9.0	14.8	44.5		206-19G			
206-20	1 1/4S														206-20G			
SAF 207-20	1 1/4														SA 207-20G			
207-21	1 5/16														207-21G			
207-22	1 3/8														207-22G			
207		35	4 19/32	3 5/8	3/4	1 9/32	1 11/32	3 3/64	1 15/16	1.5315	0.3740	0.6260	2.1890	7/16	207G	F 207	3.3	
207-23	1 7/16		117	92	19	15	34	13	49.0	38.9	9.5	15.9	55.6		207-23G			
SAF 208-24	1 1/2														SA 208-24G			
208-25	1 9/16														208-25G			
208		40	5 1/8	4	5 3/64	1 9/32	1 13/32	3 5/64	2 1/8	1.7205	0.4331	0.7559	2.3740	1/2	208G	F 208	4.2	
SAF 209-26	1 5/8														SA 209-26G			
209-27	1 11/16														209-27G			
209-28	1 3/4														209-28G			
209		45	5 13/32	4 1/8	5 5/64	5/8	1 1/2	5/8	2 5/32	1.7205	0.4331	0.7559	2.5000	9/16	209G	F 209	5.2	
SAF 210-30	1 7/8														SA 210-30G			
210-31	1 15/16														210-31G			
210		50	5 5/8	4 3/8	5 5/64	5/8	1 9/16	5/8	2 5/32	1.7205	0.4331	0.7559	2.7520	9/16	210G	F 210	5.6	
210-32	2S		143	111	22	16	40	16	54.7	43.7	11.0	19.2	69.9		210-32G			
SAF 211-32	2														SA 211-32G			
211-34	2 1/8														211-34G			
211		55	6 1/2	5 1/8	6 3/64	2 3/32	1 11/16	4 3/64	2 27/64	1.9055	0.4724	0.8031	3.0000	5/8	211G	F 211	7.7	
211-35	2 3/16		165	130	25	18	43	17	61.4	48.4	12.0	20.4	76.2		211-35G			

Interchange Page 47



# UCFX 4-Bolt Flange Units



## Medium duty with set screw lock.

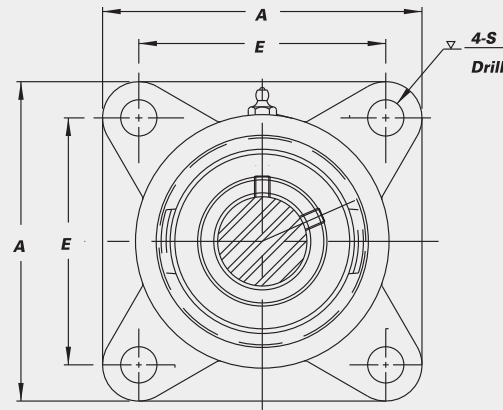
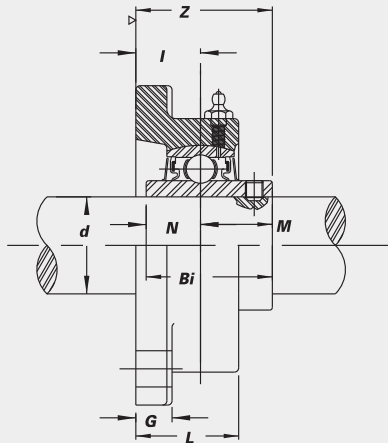
- Wide inner race bearing with greater load carrying capacity than standard duty
- Cast iron housing
- B-type seals
- L3-type seals available in some sizes



B-type Seal



L3-type Seal



STANDARD PRODUCTS

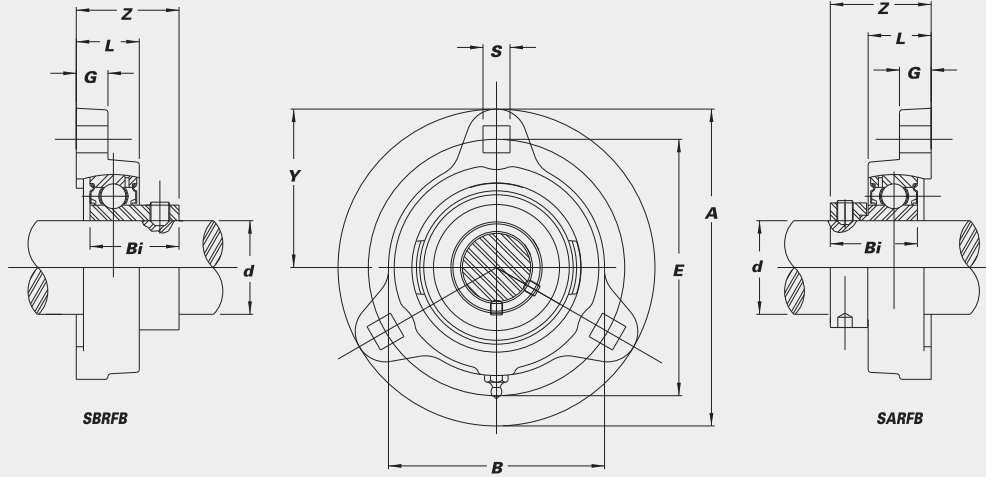
Unit No.	Shaft Dia.		Dimensions (in.) (mm)										Bolt Used (in.)	Bearing No.	Housing No.	Weight (lbs.)
	d (in.)	d (mm)	A	E	I	G	L	S	Z	Bi	N	M				
UCF X05-14 X05-15 X05	$\frac{7}{8}$ $\frac{15}{16}$ 1	25	$4\frac{1}{4}$ 108	$3\frac{1}{4}$ 83	$4\frac{5}{64}$ 18	$\frac{1}{2}$ 13	$1\frac{17}{32}$ 31	$\frac{33}{64}$ 13	$1\frac{19}{32}$ 40.2	1.5000 38.1	0.6260 15.9	0.8740 22.2	$\frac{7}{16}$	UC X05-14 X05-15 X05-16	F 206	2.6
UCF X06-18 X06 X06-19 X06-20	$1\frac{1}{8}$ $\frac{13}{16}$ $1\frac{1}{4}$	30	$4\frac{19}{32}$ 117	$3\frac{5}{8}$ 92	$\frac{3}{4}$ 19	$\frac{19}{32}$ 15	$1\frac{11}{32}$ 34	$\frac{33}{64}$ 13	$1\frac{3}{4}$ 44.4	1.6890 42.9	0.6890 17.5	1.0000 25.4	$\frac{7}{16}$	UC X06-18 X06 X06-19 207-20	F 207	3.5
UCF X07-22 X07 X07-23	$1\frac{3}{8}$ $1\frac{7}{16}$	35	$5\frac{1}{8}$ 130	4 102	$\frac{53}{64}$ 21	$\frac{19}{32}$ 15	$1\frac{13}{32}$ 36	$\frac{35}{64}$ 14	$2\frac{1}{32}$ 51.2	1.9370 49.2	0.7480 19.0	1.1890 30.2	$\frac{1}{2}$	UC X07-22 X07 X07-23	F 208	4.4
UCF X08-24 X08	$1\frac{1}{2}$	40	$5\frac{13}{32}$ 137	$4\frac{1}{8}$ 105	$\frac{55}{64}$ 22	$\frac{5}{8}$ 16	$1\frac{1}{2}$ 38	$\frac{5}{8}$ 16	$2\frac{1}{16}$ 52.2	1.9370 49.2	0.7480 19.0	1.1890 30.2	$\frac{9}{16}$	UC X08-24 X08	F 209	5.3
UCF X09-26 X09-27 X09-28 X09	$1\frac{5}{8}$ $1\frac{11}{16}$ $1\frac{3}{4}$ 45	45	$5\frac{5}{8}$ 143	$4\frac{3}{8}$ 111	$\frac{55}{64}$ 22	$\frac{5}{8}$ 16	$1\frac{9}{16}$ 40	$\frac{5}{8}$ 16	$2\frac{5}{32}$ 54.6	2.0315 51.6	0.7480 19.0	1.2835 32.6	$\frac{9}{16}$	UC X09-26 X09-27 X09-28 X09	F 210	6.2
UCF X10-30 X10-31 X10 X10-32	$1\frac{7}{8}$ $1\frac{15}{16}$ 2	50	$6\frac{1}{2}$ 165	$5\frac{1}{8}$ 130	$\frac{63}{64}$ 25	$\frac{23}{32}$ 18	$1\frac{11}{16}$ 43	$\frac{43}{64}$ 17	$2\frac{5}{16}$ 58.4	2.1890 55.6	0.8740 22.2	1.3150 33.4	$\frac{5}{8}$	UC X10-30 X10-31 X10 211-32	F 211	8.4
UCF X11-34 X11 X11-35 X11-36	$2\frac{1}{8}$ $2\frac{3}{16}$ $2\frac{1}{4}$	55	$6\frac{7}{8}$ 175	$5\frac{5}{8}$ 143	$1\frac{9}{64}$ 29	$\frac{23}{32}$ 18	$1\frac{7}{8}$ 48	$\frac{43}{64}$ 17	$2\frac{23}{32}$ 68.7	2.5630 65.1	1.0000 25.4	1.5630 39.7	$\frac{5}{8}$	UC X11-34 X11 X11-35 212-36	F 212	10.8
UCF X12 X12-38 X12-39	$\frac{23}{8}$ $2\frac{3}{16}$ $2\frac{7}{16}$	60	$7\frac{3}{8}$ 187	$5\frac{7}{8}$ 149	$1\frac{9}{16}$ 30	$\frac{7}{8}$ 22	$1\frac{31}{32}$ 50	$\frac{43}{64}$ 17	$2\frac{29}{32}$ 73.8	2.5630 65.1	1.0000 25.4	1.5630 39.7	$\frac{5}{8}$	UC X12 X12-38 X12-39	F 213	12.6
UCF X13-40 X13	$2\frac{1}{2}$	65	$7\frac{3}{8}$ 187	$5\frac{7}{8}$ 149	$1\frac{11}{32}$ 34	$\frac{13}{16}$ 21	$2\frac{5}{16}$ 59	$\frac{21}{32}$ 17	$3\frac{3}{32}$ 78.5	2.9370 74.6	1.1890 30.2	1.7480 44.4	$\frac{9}{16}$	UC X13-40 X13	FX13	14.1
UCF X14-43 X14-44 X14	$2\frac{11}{16}$ $2\frac{3}{4}$	70	$7\frac{3}{4}$ 197	6 152	$1\frac{5}{8}$ 42	$\frac{7}{8}$ 22	$2\frac{27}{64}$ 61	$\frac{25}{32}$ 20	$3\frac{13}{32}$ 86.5	3.0630 77.8	1.3110 33.3	1.7520 44.5	$\frac{11}{16}$	UC X14-43 X14-44 X14	NF215	15.6
UCF X15-47 X15 X15-48	$2\frac{15}{16}$ 3	75	$7\frac{3}{4}$ 197	6 152	$1\frac{37}{64}$ 40	$\frac{15}{16}$ 24	$2\frac{11}{16}$ 68	$\frac{25}{32}$ 20	$3\frac{17}{32}$ 89.7	3.2520 82.6	1.3110 33.3	1.9410 49.3	$\frac{11}{16}$	UC X15-47 X15 X15-48	FX15	18.5
UCF X17 X17-55 X17-56	$\frac{37}{16}$ $3\frac{1}{2}$	85	$8\frac{7}{16}$ 214	$6\frac{3}{4}$ 171	$1\frac{37}{64}$ 40	$\frac{15}{16}$ 24	$2\frac{3}{4}$ 70	$\frac{25}{32}$ 20	$3\frac{25}{32}$ 96.0	3.7795 96.0	1.5630 39.7	2.2165 56.3	$\frac{11}{16}$	UC X17 X17-55 X17-56	FX17	24.0
UCF X20 X20-63 X20-64	$3\frac{15}{16}$ 4	100	$10\frac{9}{16}$ 268	$8\frac{5}{16}$ 211	$2\frac{21}{64}$ 59	$\frac{13}{32}$ 28	$3\frac{13}{16}$ 97	$1\frac{1}{32}$ 31	5 127	4.6260 117.5	1.9370 49.2	2.6890 68.3	1	UC X20 X20-63 X20-64	FX20	42.5

Interchange Page 47

# SBRFB & SARFB 3-Bolt Flange Units



- Ductile iron housing
- K-type seals
- Narrow inner race bearing



## SBRFB Set screw type

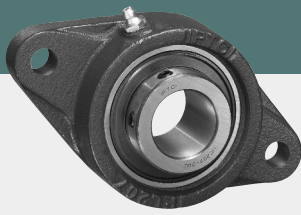
Unit No.	Shaft Dia.		Dimensions (in.) (mm)									Bolt Used (in)	Bearing No.	Housing No.	Weight (lbs.)
	d (in.)	d (mm)	A	E	G	B	L	S	Z	Bi	Y				
SBRFB 204-12 204	3/4	20	39/16	213/16	7/16	25/8	25/32	11/32	15/32	0.9843	125/32	5/16	SB 204-12G 204G	RFB 204	.8
SBRFB 205-14 205	7/8	25	33/4	3	7/16	27/8	25/32	11/32	17/32	1.0630	17/8	5/16	SB 205-14G 205G	RFB 205	.9
SBRFB 205-15 205-16	15/16 1		95	76.2	11	73	20	9	31.0	27.0	48		SB 205-15G 205-16G		
SBRFB 206-17 206-18 206	11/16 17/8	30	47/16	39/16	15/32	3	57/64	13/32	15/16	1.1811	27/32	3/8	SB 206-17G 206-18G 206G	RFB 206	1.2
SBRFB 206-19 206-20	13/16 17/4S		113	90.5	12	76	23	10	33.3	30.0	56		SB 206-19G 206-20G		
SBRFB 207-20 207-21 207-22 207 207-23	11/4 15/16 13/8 17/16	35	413/16	315/16	1/2	31/2	15/16	13/32	17/16	1.2992	213/32	3/8	SB 207-20G 207-21G 207-22G 207G 207-23G	RFB 207	1.7

## SARFB Eccentric locking collar type

Unit No.	Shaft Dia.		Dimensions (in.) (mm)									Bolt Used (in)	Bearing No.	Housing No.	Weight (lbs.)
	d (in.)	d (mm)	A	E	G	B	L	S	Z	Bi	Y				
SARFB 204-12 204	3/4	20	39/16	213/16	7/16	25/8	25/32	11/32	15/16	1.2205	125/32	5/16	SA 204-12G 204G	RFB 204	.9
SARFB 205-14 205	7/8	25	33/4	3	7/16	27/8	25/32	11/32	13/8	1.2205	17/8	5/16	SA 205-14G 205G	RFB 205	1.0
SARFB 205-15 205-16	15/16 1		95	76.2	11	73	20	9	34.9	31.0	48		SA 205-15G 205-16G		
SARFB 206-17 206-18 206	11/16 17/8	30	47/16	39/16	15/32	3	57/64	13/32	117/32	1.4055	27/32	3/8	SA 206-17G 206-18G 206G	RFB 206	1.3
SARFB 206-19 206-20	13/16 17/4S		113	90.5	12	76	23	10	38.9	35.7	56		SA 206-19G 206-20G		
SARFB 207-20 207-21 207-22 207 207-23	11/4 15/16 13/8 17/16	35	413/16	315/16	1/2	31/2	15/16	13/32	121/32	1.5315	213/32	3/8	SA 207-20G 207-21G 207-22G 207G 207-23G	RFB 207	2.0

Interchange Page 47

# UCFL 2-Bolt Flange Units



## Standard duty with set screw lock.

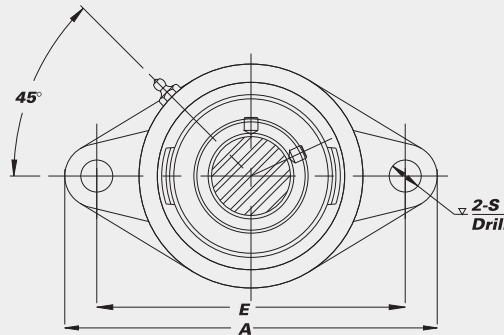
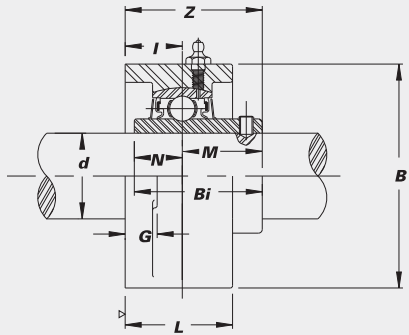
- Cast iron housing
- Wide inner race bearing
- B-type or L3-type seals
- Available with high temp. bearing - See page 46



B-type Seal



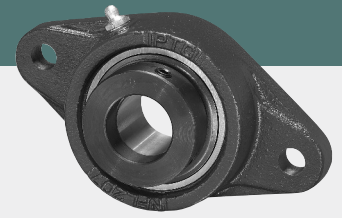
L3-type Seal



Unit No.	Shaft Dia.		Dimensions (in.) (mm)										Bolt Used (in.)	Bearing No.	Housing No.	Weight (lbs.)			
	d (in.)	d (mm)	A	E	I	G	L	S	B	Z	Bi	N					M		
UCFL 201		12															UCW 201		
201-8	1/2																201-8		
202		15	4 <sup>13</sup> / <sub>32</sub>	3	4 <sup>9</sup> / <sub>64</sub>	7 <sup>1</sup> / <sub>16</sub>	3 <sup>1</sup> / <sub>32</sub>	2 <sup>5</sup> / <sub>64</sub>	2 <sup>3</sup> / <sub>8</sub>	1 <sup>5</sup> / <sub>16</sub>	1.0236	0.3937	0.6299	5 <sup>1</sup> / <sub>16</sub>			202	FT 203	0.9
202-10	5/8		112	76.2	17	11	25	10	60	33.3	26.0	10.0	16.0				202-10		
203		17															203		
UCFL 204-12	3/4																UC 204-12		
204		20	4 <sup>7</sup> / <sub>16</sub>	3 <sup>17</sup> / <sub>32</sub>	1 <sup>9</sup> / <sub>32</sub>	7 <sup>1</sup> / <sub>16</sub>	1	2 <sup>5</sup> / <sub>64</sub>	2 <sup>3</sup> / <sub>8</sub>	1 <sup>5</sup> / <sub>16</sub>	1.2205	0.5000	0.7205	5 <sup>1</sup> / <sub>16</sub>			204	FL 204	1.0
UCFL 205-14	7/8																UC 205-14		
205-15	1 <sup>5</sup> / <sub>16</sub>																205-15		
205		25	5 <sup>1</sup> / <sub>8</sub>	3 <sup>57</sup> / <sub>64</sub>	5 <sup>1</sup> / <sub>8</sub>	1 <sup>1</sup> / <sub>2</sub>	1 <sup>1</sup> / <sub>16</sub>	1 <sup>5</sup> / <sub>32</sub>	2 <sup>11</sup> / <sub>16</sub>	1 <sup>15</sup> / <sub>32</sub>	1.3386	0.5630	0.7756	3 <sup>3</sup> / <sub>8</sub>			205	FL 205	1.5
205-16	1		130	98.8	16	13	27	11.9	68	37.3	34.0	14.3	19.7				205-16		
UCFL 206-17	1 <sup>1</sup> / <sub>16</sub>																UC 206-17		
206-18	1 <sup>1</sup> / <sub>8</sub>																206-18		
206		30	5 <sup>13</sup> / <sub>16</sub>	4 <sup>19</sup> / <sub>32</sub>	4 <sup>5</sup> / <sub>64</sub>	1 <sup>1</sup> / <sub>2</sub>	1 <sup>1</sup> / <sub>32</sub>	1 <sup>5</sup> / <sub>32</sub>	3 <sup>5</sup> / <sub>32</sub>	1 <sup>19</sup> / <sub>32</sub>	1.5000	0.6260	0.8740	3 <sup>3</sup> / <sub>8</sub>			206	FL 206	2.2
206-19	1 <sup>3</sup> / <sub>16</sub>		148	116.7	18	13	31	11.9	80	40.5	38.1	15.9	22.2				206-19		
206-20	1 <sup>1</sup> / <sub>4</sub> S																206-20		
UCFL 207-20	1 <sup>1</sup> / <sub>4</sub>																UC 207-20		
207-21	1 <sup>5</sup> / <sub>16</sub>																207-21		
207-22	1 <sup>3</sup> / <sub>8</sub>		6 <sup>11</sup> / <sub>32</sub>	5 <sup>1</sup> / <sub>8</sub>	3 <sup>3</sup> / <sub>4</sub>	9 <sup>1</sup> / <sub>16</sub>	1 <sup>11</sup> / <sub>32</sub>	3 <sup>3</sup> / <sub>64</sub>	3 <sup>17</sup> / <sub>32</sub>	1 <sup>3</sup> / <sub>4</sub>	1.6890	0.6890	1.0000	7 <sup>1</sup> / <sub>16</sub>			207-22	FL 207	2.9
207		35	161	130.2	19	14	34	13	90	44.5	42.9	17.5	25.4				207		
207-23	1 <sup>7</sup> / <sub>16</sub>																207-23		
UCFL 208-24	1 <sup>1</sup> / <sub>2</sub>																UC 208-24		
208-25	1 <sup>9</sup> / <sub>16</sub>																208-25		
208		40	6 <sup>7</sup> / <sub>8</sub>	5 <sup>27</sup> / <sub>32</sub>	5 <sup>3</sup> / <sub>64</sub>	9 <sup>1</sup> / <sub>16</sub>	1 <sup>13</sup> / <sub>32</sub>	3 <sup>3</sup> / <sub>64</sub>	3 <sup>15</sup> / <sub>16</sub>	2	1.9370	0.7480	1.1890	7 <sup>1</sup> / <sub>16</sub>			208	FL 208	3.5
UCFL 209-26	1 <sup>5</sup> / <sub>8</sub>																UC 209-26		
209-27	1 <sup>11</sup> / <sub>16</sub>																209-27		
209-28	1 <sup>3</sup> / <sub>4</sub>																209-28		
209		45	7 <sup>13</sup> / <sub>32</sub>	5 <sup>27</sup> / <sub>32</sub>	5 <sup>5</sup> / <sub>64</sub>	1 <sup>9</sup> / <sub>32</sub>	1 <sup>1</sup> / <sub>2</sub>	1 <sup>5</sup> / <sub>32</sub>	4 <sup>1</sup> / <sub>4</sub>	2 <sup>1</sup> / <sub>16</sub>	1.9370	0.7480	1.1890	1 <sup>1</sup> / <sub>2</sub>			209	FL 209	4.4
UCFL 210-30	1 <sup>7</sup> / <sub>8</sub>																UC 210-30		
210-31	1 <sup>15</sup> / <sub>16</sub>																210-31		
210		50	7 <sup>3</sup> / <sub>4</sub>	6 <sup>3</sup> / <sub>16</sub>	5 <sup>5</sup> / <sub>64</sub>	1 <sup>9</sup> / <sub>32</sub>	1 <sup>9</sup> / <sub>16</sub>	5 <sup>1</sup> / <sub>8</sub>	4 <sup>17</sup> / <sub>32</sub>	2 <sup>5</sup> / <sub>32</sub>	2.0315	0.7480	1.2835	1 <sup>1</sup> / <sub>2</sub>			210	FL 210	5.1
210-32	2S		197	157	22	15	40	16	115	54.8	51.6	19.0	32.6				210-32		
UCFL 211-32	2																UC 211-32		
211-34	2 <sup>1</sup> / <sub>8</sub>																211-34		
211		55	8 <sup>13</sup> / <sub>16</sub>	7 <sup>1</sup> / <sub>4</sub>	6 <sup>3</sup> / <sub>64</sub>	2 <sup>3</sup> / <sub>32</sub>	1 <sup>11</sup> / <sub>16</sub>	4 <sup>1</sup> / <sub>64</sub>	5 <sup>1</sup> / <sub>8</sub>	2 <sup>5</sup> / <sub>16</sub>	2.1890	0.8740	1.3150	9 <sup>1</sup> / <sub>16</sub>			211	FL 211	7.3
211-35	2 <sup>3</sup> / <sub>16</sub>		224	184	25	18	43	16.3	130	58.7	55.6	22.2	33.4				211-35		
UCFL 212-36	2 <sup>1</sup> / <sub>4</sub>																UC 212-36		
212		60	9 <sup>27</sup> / <sub>32</sub>	7 <sup>15</sup> / <sub>16</sub>	1 <sup>9</sup> / <sub>64</sub>	2 <sup>3</sup> / <sub>32</sub>	1 <sup>7</sup> / <sub>8</sub>	4 <sup>1</sup> / <sub>64</sub>	5 <sup>1</sup> / <sub>2</sub>	2 <sup>23</sup> / <sub>32</sub>	2.5630	1.0000	1.5630	9 <sup>1</sup> / <sub>16</sub>			212	FL 212	9.5
212-38	2 <sup>3</sup> / <sub>8</sub>		250	201.6	29	18	48	16.3	140	69.1	65.1	25.4	39.7				212-38		
212-39	2 <sup>1</sup> / <sub>16</sub>																212-39		

Interchange Page 47

# NANFL 2-Bolt Flange Units



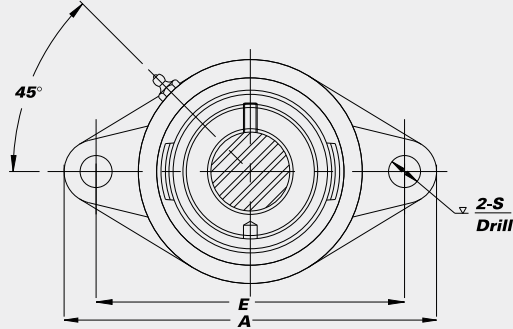
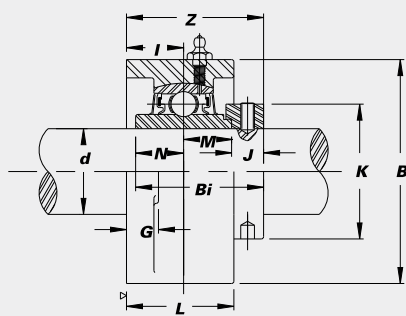
B-type Seal



L3-type Seal

## Standard duty with eccentric locking collar.

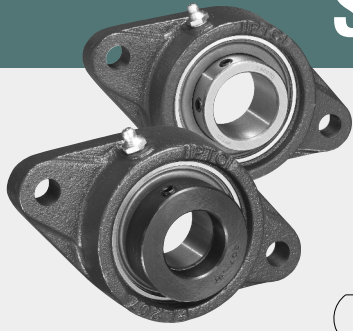
- Cast iron housing
- B-type or L3-type seals
- Wide inner race bearing



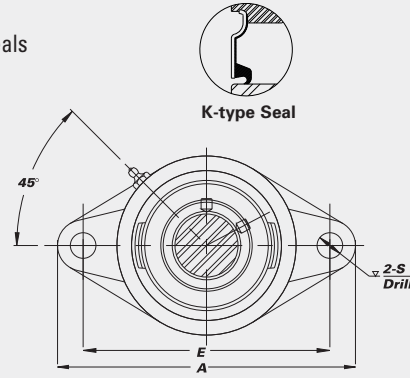
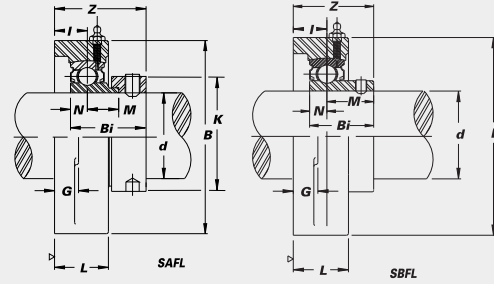
Unit No.	Shaft Dia.		Dimensions (in.) (mm)													Bolt Used (in.)	Bearing No.	Housing No.	Weight (lbs.)	
	d (in.)	d (mm)	A	E	I	G	L	S	B	Z	Bi	N	M	J	K					
NANFL 201		12																NAW201		
201-8	1/2																	201-8		
202		15	4 <sup>13</sup> / <sub>32</sub>	3	4 <sup>3</sup> / <sub>64</sub>	7 <sup>1</sup> / <sub>16</sub>	3 <sup>1</sup> / <sub>32</sub>	2 <sup>5</sup> / <sub>64</sub>	2 <sup>3</sup> / <sub>8</sub>	1 <sup>19</sup> / <sub>32</sub>	1.4685	0.5472	0.5472	0.3740	1.1260	5 <sup>1</sup> / <sub>16</sub>	202	FT 203	1.2	
202-10	5/8		112	76.2	17	11	25	10	60	40.5	37.3	13.9	13.9	9.5	28.6		202-10			
203		17															203			
NANFL 204-12	3/4		4 <sup>7</sup> / <sub>16</sub>	3 <sup>17</sup> / <sub>32</sub>	3/4	7 <sup>1</sup> / <sub>16</sub>	1 <sup>9</sup> / <sub>32</sub>	2 <sup>5</sup> / <sub>64</sub>	2 <sup>9</sup> / <sub>8</sub>	1 <sup>25</sup> / <sub>32</sub>	1.7126	0.6693	0.6693	0.3740	1.3110	5 <sup>1</sup> / <sub>16</sub>	NA 204-12	NFL 204	1.3	
204		20	113	89.7	19	11	29.5	10	60	45.5	43.5	17.0	17.0	9.5	33.3		204			
NANFL 205-14	7/8																NA 205-14			
205-15	1 <sup>5</sup> / <sub>16</sub>		5 <sup>1</sup> / <sub>8</sub>	3 <sup>57</sup> / <sub>64</sub>	2 <sup>5</sup> / <sub>32</sub>	1/2	1 <sup>7</sup> / <sub>32</sub>	1 <sup>5</sup> / <sub>32</sub>	2 <sup>11</sup> / <sub>16</sub>	1 <sup>27</sup> / <sub>32</sub>	1.7441	0.6850	0.6850	0.3740	1.5000	3/8	205-15	NFL 205	2.0	
205		25	130	98.8	20	13	31	11.9	68	46.7	44.3	17.4	17.4	9.5	38.1		205			
205-16	1																205-16			
NANFL 206-17	1 <sup>1</sup> / <sub>16</sub>																NA 206-17			
206-18	1 <sup>1</sup> / <sub>8</sub>		5 <sup>13</sup> / <sub>16</sub>	4 <sup>19</sup> / <sub>32</sub>	5 <sup>3</sup> / <sub>64</sub>	1/2	1 <sup>11</sup> / <sub>32</sub>	1 <sup>5</sup> / <sub>32</sub>	3 <sup>5</sup> / <sub>32</sub>	2	1.9016	0.7165	0.7165	0.4685	1.7520	3/8	206-18	NFL 206	2.5	
206		30	148	116.7	21	13	34	11.9	80	51.1	48.3	18.2	18.2	11.9	44.5		206			
206-19	1 <sup>3</sup> / <sub>16</sub>																206-19			
206-20	1 <sup>1</sup> / <sub>4</sub> S																206-20			
NANFL 207-20	1 <sup>1</sup> / <sub>4</sub>																NA 207-20			
207-21	1 <sup>5</sup> / <sub>16</sub>		6 <sup>11</sup> / <sub>32</sub>	5 <sup>1</sup> / <sub>8</sub>	2 <sup>7</sup> / <sub>32</sub>	9 <sup>1</sup> / <sub>16</sub>	1 <sup>7</sup> / <sub>16</sub>	3 <sup>3</sup> / <sub>64</sub>	3 <sup>17</sup> / <sub>32</sub>	2 <sup>1</sup> / <sub>8</sub>	2.0118	0.7402	0.7402	0.5315	2.1890	7 <sup>1</sup> / <sub>16</sub>	207-21	NFL 207	3.5	
207-22	1 <sup>3</sup> / <sub>8</sub>		161	130.2	21.5	14	36.5	13	90	53.8	51.1	18.8	18.8	13.5	55.6		207-22			
207		35															207			
207-23	1 <sup>7</sup> / <sub>16</sub>																207-23			
NANFL 208-24	1 <sup>1</sup> / <sub>2</sub>		6 <sup>7</sup> / <sub>8</sub>	5 <sup>21</sup> / <sub>32</sub>	1 <sup>5</sup> / <sub>16</sub>	9 <sup>1</sup> / <sub>16</sub>	1 <sup>17</sup> / <sub>32</sub>	3 <sup>3</sup> / <sub>64</sub>	3 <sup>15</sup> / <sub>16</sub>	2 <sup>5</sup> / <sub>16</sub>	2.2165	0.8425	0.8425	0.5315	2.3740	7 <sup>1</sup> / <sub>16</sub>	NA 208-24	NFL 208	4.5	
208-25	1 <sup>9</sup> / <sub>16</sub>		175	143.7	24	14	39	13	100	58.9	56.3	21.4	21.4	13.5	60.3		208-25			
208		40															208			
NANFL 209-26	1 <sup>5</sup> / <sub>8</sub>																NA 209-26			
209-27	1 <sup>11</sup> / <sub>16</sub>		7 <sup>13</sup> / <sub>32</sub>	5 <sup>27</sup> / <sub>32</sub>	1 <sup>5</sup> / <sub>16</sub>	9 <sup>1</sup> / <sub>16</sub>	1 <sup>9</sup> / <sub>16</sub>	1 <sup>9</sup> / <sub>32</sub>	4 <sup>1</sup> / <sub>4</sub>	2 <sup>5</sup> / <sub>16</sub>	2.2165	0.8425	0.8425	0.5315	2.5000	1/2	209-27	NFL 209	5.2	
209-28	1 <sup>3</sup> / <sub>4</sub>		188	148.4	24	14	40	15	108	58.9	56.3	21.4	21.4	13.5	63.5		209-28			
209		45															209			
NANFL 210-30	1 <sup>7</sup> / <sub>8</sub>																NA 210-30			
210-31	1 <sup>15</sup> / <sub>16</sub>		7 <sup>3</sup> / <sub>4</sub>	6 <sup>3</sup> / <sub>16</sub>	1 <sup>1</sup> / <sub>8</sub>	9 <sup>1</sup> / <sub>16</sub>	1 <sup>27</sup> / <sub>32</sub>	1 <sup>9</sup> / <sub>32</sub>	4 <sup>17</sup> / <sub>32</sub>	2 <sup>5</sup> / <sub>8</sub>	2.4685	0.9685	0.9685	0.5315	2.7520	1/2	210-31	NFL 210	6.1	
210		50	197	157	28.5	14	46.5	15	115	66.6	62.7	24.6	24.6	13.5	69.9		210			
210-32	2S																210-32			
NANFL 211-32	2																NA 211-32			
211-34	2 <sup>1</sup> / <sub>8</sub>		8 <sup>13</sup> / <sub>16</sub>	7 <sup>1</sup> / <sub>4</sub>	1 <sup>17</sup> / <sub>64</sub>	1 <sup>3</sup> / <sub>16</sub>	1 <sup>31</sup> / <sub>32</sub>	4 <sup>1</sup> / <sub>64</sub>	5 <sup>1</sup> / <sub>8</sub>	2 <sup>31</sup> / <sub>32</sub>	2.8110	1.0906	1.0906	0.6299	3.0000	9 <sup>1</sup> / <sub>16</sub>	211-34	NFL 211	9.2	
211		55	224	184	32	20	50	16.3	130	75.7	71.4	27.7	27.7	16.0	76.2		211			
211-35	2 <sup>3</sup> / <sub>16</sub>																211-35			
NANFL 212-36	2 <sup>1</sup> / <sub>4</sub>																NA 212-36			
212		60	9 <sup>27</sup> / <sub>32</sub>	7 <sup>15</sup> / <sub>16</sub>	1 <sup>27</sup> / <sub>64</sub>	1 <sup>3</sup> / <sub>16</sub>	2 <sup>5</sup> / <sub>32</sub>	4 <sup>1</sup> / <sub>64</sub>	5 <sup>1</sup> / <sub>2</sub>	3 <sup>1</sup> / <sub>4</sub>	3.0630	1.2165	1.2165	0.6299	3.3150	9 <sup>1</sup> / <sub>16</sub>	212	NFL 212	11.1	
212-38	2 <sup>3</sup> / <sub>8</sub>		250	202	36	20	55	16.3	140	82.9	77.8	30.9	30.9	16.0	84.2		212-38			
212-39	2 <sup>7</sup> / <sub>16</sub>																212-39			

Interchange Page 47

# SBFL & SAFL 2-Bolt Flange Units



- Cast iron housing
- Narrow inner race bearing
- K-type seals



## SBFL Set screw type

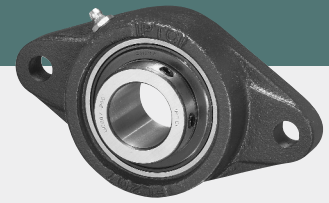
Unit No.	Shaft Dia.		Dimensions (in.) (mm)										Bolt Used (in.)	Bearing No.	Housing No.	Weight (lbs.)	
	d (in.)	d (mm)	A	E	I	G	L	S	B	Z	Bi	N					M
SBFL 201		12													SB 201G		
201-8	1/2	12															
202	5/8	15	4 <sup>13</sup> / <sub>32</sub>	3	4 <sup>3</sup> / <sub>64</sub>	7 <sup>7</sup> / <sub>16</sub>	3 <sup>1</sup> / <sub>32</sub>	2 <sup>5</sup> / <sub>64</sub>	2 <sup>3</sup> / <sub>8</sub>	1 <sup>19</sup> / <sub>64</sub>	0.8661	0.2362	0.6299	5/16	SB 201-8G	FT 203	.9
202-10	5/8	15	112	76.2	17	11	25	10	60	32.9	22.0	6.0	16.0		202G		
203		17													202-10G		
SBFL 204-12	3/4	20	4 <sup>7</sup> / <sub>16</sub>	3 <sup>17</sup> / <sub>32</sub>	1 <sup>9</sup> / <sub>32</sub>	7 <sup>7</sup> / <sub>16</sub>	1	2 <sup>5</sup> / <sub>64</sub>	2 <sup>3</sup> / <sub>8</sub>	1 <sup>19</sup> / <sub>64</sub>	0.9843	0.2756	0.7087	5/16	SB 204-12G	FL 204	1.0
204	3/4	20	113	89.7	15	11	25	10	60	32.9	25.0	7.0	18.0		204G		
SBFL 205-14	7/8	25	5 <sup>1</sup> / <sub>8</sub>	3 <sup>9</sup> / <sub>64</sub>	5 <sup>5</sup> / <sub>8</sub>	1 <sup>1</sup> / <sub>2</sub>	1 <sup>1</sup> / <sub>16</sub>	1 <sup>5</sup> / <sub>32</sub>	2 <sup>11</sup> / <sub>16</sub>	1 <sup>29</sup> / <sub>64</sub>	1.0630	0.2953	0.7677	3/8	SB 205-14G	FL 205	1.5
205-15	1 <sup>1</sup> / <sub>16</sub>	25	130	98.8	16	13	27	11.9	68	35.3	27.0	7.5	19.5		205-15G		
205	1	25													205G		
205-16	1	25													205-16G		
SBFL 206-17	1 <sup>1</sup> / <sub>16</sub>	30	5 <sup>13</sup> / <sub>16</sub>	4 <sup>19</sup> / <sub>32</sub>	4 <sup>5</sup> / <sub>64</sub>	1 <sup>1</sup> / <sub>2</sub>	1 <sup>7</sup> / <sub>32</sub>	1 <sup>5</sup> / <sub>32</sub>	3 <sup>5</sup> / <sub>32</sub>	1 <sup>9</sup> / <sub>16</sub>	1.1811	0.3150	0.8661	3/8	SB 206-17G	FL 206	2.1
206-18	1 <sup>1</sup> / <sub>8</sub>	30	148	116.7	18	13	31	11.9	80	39.7	30.0	8.0	22.0		206-18G		
206	1 <sup>3</sup> / <sub>16</sub>	30													206G		
206-19	1 <sup>3</sup> / <sub>16</sub>	30													206-19G		
206-20	1 <sup>1</sup> / <sub>4</sub> S	30													206-20G		
SBFL 207-20	1 <sup>1</sup> / <sub>4</sub>	35	6 <sup>11</sup> / <sub>32</sub>	5 <sup>1</sup> / <sub>8</sub>	3 <sup>3</sup> / <sub>4</sub>	9 <sup>9</sup> / <sub>16</sub>	1 <sup>11</sup> / <sub>32</sub>	3 <sup>3</sup> / <sub>64</sub>	3 <sup>17</sup> / <sub>32</sub>	1 <sup>49</sup> / <sub>64</sub>	1.2992	0.3740	0.9252	7/16	SB 207-20G	FL 207	2.8
207-21	1 <sup>5</sup> / <sub>16</sub>	35	161	130.2	19	14	34	13	90	42.5	33.0	9.5	23.5		207-21G		
207-22	1 <sup>3</sup> / <sub>8</sub>	35													207-22G		
207	1 <sup>3</sup> / <sub>8</sub>	35													207G		
207-23	1 <sup>1</sup> / <sub>16</sub>	35													207-23G		
SBFL 208-24	1 <sup>1</sup> / <sub>2</sub>	40	6 <sup>7</sup> / <sub>8</sub>	5 <sup>21</sup> / <sub>32</sub>	5 <sup>3</sup> / <sub>64</sub>	9 <sup>9</sup> / <sub>16</sub>	1 <sup>13</sup> / <sub>32</sub>	3 <sup>3</sup> / <sub>64</sub>	3 <sup>15</sup> / <sub>16</sub>	1 <sup>13</sup> / <sub>16</sub>	1.4173	0.4331	0.9843	7/16	SB 208-24G	FL 208	3.4
208	1 <sup>1</sup> / <sub>2</sub>	40	175	143.7	21	14	36	13	100	46.0	36.0	11.0	25.0		208G		

## SAFL Eccentric locking collar type

Unit No.	Shaft Dia.		Dimensions (in.) (mm)										Bolt Used (in.)	Bearing No.	Housing No.	Weight (lbs.)		
	d (in.)	d (mm)	A	E	I	G	L	S	B	Z	Bi	N					M	K
SAFL 201-8	1/2	12	4 <sup>13</sup> / <sub>32</sub>	3	4 <sup>3</sup> / <sub>64</sub>	7 <sup>7</sup> / <sub>16</sub>	3 <sup>1</sup> / <sub>32</sub>	2 <sup>5</sup> / <sub>64</sub>	2 <sup>3</sup> / <sub>8</sub>	1 <sup>35</sup> / <sub>64</sub>	1.1260	0.2559	0.4960	1.1260	5/16	SA 201-8G	FT 203	1.0
202-10	5/8	15	112	76.2	17	11	25	10	60	39.1	28.6	6.5	12.6	28.6		202-10G		
SAFL 204-12	3/4	20	4 <sup>7</sup> / <sub>16</sub>	3 <sup>17</sup> / <sub>32</sub>	1 <sup>9</sup> / <sub>32</sub>	7 <sup>7</sup> / <sub>16</sub>	1	2 <sup>5</sup> / <sub>64</sub>	2 <sup>3</sup> / <sub>8</sub>	1 <sup>19</sup> / <sub>64</sub>	1.2205	0.2953	0.5512	1.3110	5/16	SA 204-12G	FL 204	1.1
204	3/4	20	113	89.7	15	11	25	10	60	29.0	31.0	7.5	14.0	33.3		204G		
SAFL 205-14	7/8	25	5 <sup>1</sup> / <sub>8</sub>	3 <sup>9</sup> / <sub>64</sub>	5 <sup>5</sup> / <sub>8</sub>	1 <sup>1</sup> / <sub>2</sub>	1 <sup>1</sup> / <sub>16</sub>	1 <sup>5</sup> / <sub>32</sub>	2 <sup>11</sup> / <sub>16</sub>	1 <sup>11</sup> / <sub>64</sub>	1.2205	0.2953	0.5513	1.5000	3/8	SA 205-14G	FL 205	1.5
205-15	1 <sup>1</sup> / <sub>16</sub>	25	130	98.8	16	13	27	11.9	68	29.8	31.0	7.5	14.0	38.1		205-15G		
205-16	1	25													205-16G			
SAFL 206-17	1 <sup>1</sup> / <sub>16</sub>	30	5 <sup>13</sup> / <sub>16</sub>	4 <sup>19</sup> / <sub>32</sub>	4 <sup>5</sup> / <sub>64</sub>	1 <sup>1</sup> / <sub>2</sub>	1 <sup>7</sup> / <sub>32</sub>	1 <sup>5</sup> / <sub>32</sub>	3 <sup>5</sup> / <sub>32</sub>	1 <sup>9</sup> / <sub>32</sub>	1.4055	0.3543	0.5827	1.7520	3/8	SA 206-17G	FL 206	2.1
206-18	1 <sup>1</sup> / <sub>8</sub>	30	148	116.7	18	13	31	11.9	80	32.5	35.7	9.0	14.8	44.5		206-18G		
206-19	1 <sup>3</sup> / <sub>16</sub>	30													206-19G			
206-20	1 <sup>1</sup> / <sub>4</sub> S	30													206-20G			
SAFL 207-20	1 <sup>1</sup> / <sub>4</sub>	35	6 <sup>11</sup> / <sub>32</sub>	5 <sup>1</sup> / <sub>8</sub>	3 <sup>3</sup> / <sub>4</sub>	9 <sup>9</sup> / <sub>16</sub>	1 <sup>11</sup> / <sub>32</sub>	3 <sup>3</sup> / <sub>64</sub>	3 <sup>17</sup> / <sub>32</sub>	1 <sup>3</sup> / <sub>8</sub>	1.5315	0.3740	0.6260	2.1890	7/16	SA 207-20G	FL 207	2.9
207-21	1 <sup>5</sup> / <sub>16</sub>	35	161	130.2	19	14	34	13	90	34.9	38.9	9.5	15.9	55.6		207-21G		
207-22	1 <sup>3</sup> / <sub>8</sub>	35													207-22G			
207-23	1 <sup>1</sup> / <sub>16</sub>	35													207-23G			
SAFL 208-24	1 <sup>1</sup> / <sub>2</sub>	40	6 <sup>7</sup> / <sub>8</sub>	5 <sup>21</sup> / <sub>32</sub>	5 <sup>3</sup> / <sub>64</sub>	9 <sup>9</sup> / <sub>16</sub>	1 <sup>13</sup> / <sub>32</sub>	3 <sup>3</sup> / <sub>64</sub>	3 <sup>15</sup> / <sub>16</sub>	1 <sup>13</sup> / <sub>16</sub>	1.7205	0.4331	0.7559	2.3740	7/16	SA 208-24G	FL 208	3.5
208-25	1 <sup>9</sup> / <sub>16</sub>	40	175	143.7	21	14	36	13	100	40.1	43.7	11.0	19.2	60.3		208-25G		
SAFL 209-26	1 <sup>5</sup> / <sub>8</sub>	47	7 <sup>13</sup> / <sub>32</sub>	5 <sup>27</sup> / <sub>32</sub>	5 <sup>5</sup> / <sub>64</sub>	1 <sup>9</sup> / <sub>32</sub>	1 <sup>1</sup> / <sub>2</sub>	1 <sup>9</sup> / <sub>32</sub>	4 <sup>1</sup> / <sub>4</sub>	2 <sup>5</sup> / <sub>32</sub>	1.7205	0.4331	0.7559	2.5000	1/2	SA 209-26G	FL 209	4.7
209-27	1 <sup>11</sup> / <sub>16</sub>	47	188	148.4	22	15	38	15	108	54.7	43.7	11.0	19.2	63.5		209-27G		
209-28	1 <sup>3</sup> / <sub>4</sub>	47													209-28G			
SAFL 210-30	1 <sup>7</sup> / <sub>8</sub>	50	7 <sup>3</sup> / <sub>4</sub>	6 <sup>3</sup> / <sub>16</sub>	5 <sup>5</sup> / <sub>64</sub>	1 <sup>9</sup> / <sub>32</sub>	1 <sup>9</sup> / <sub>16</sub>	5 <sup>5</sup> / <sub>8</sub>	4 <sup>17</sup> / <sub>32</sub>	2 <sup>5</sup> / <sub>32</sub>	1.7205	0.4331	0.7559	2.7520	1/2	SA 210-30G	FL 210	5.0
210-31	1 <sup>15</sup> / <sub>16</sub>	50	197	157	22	15	40	16	115	54.7	43.7	11.0	19.2	69.9		210-31G		
210-32	2S	50													210-32G			
SAFL 211-32	2	50	8 <sup>13</sup> / <sub>16</sub>	7 <sup>1</sup> / <sub>4</sub>	6 <sup>3</sup> / <sub>64</sub>	2 <sup>3</sup> / <sub>32</sub>	1 <sup>11</sup> / <sub>16</sub>	4 <sup>1</sup> / <sub>64</sub>	5 <sup>5</sup> / <sub>8</sub>	2 <sup>27</sup> / <sub>64</sub>	1.9055	0.4724	0.8031	3.0000	9/16	SA 211-32G	FL 211	7.0
211-34	2 <sup>1</sup> / <sub>8</sub>	50	224	184	25	18	43	16.3	130	61.4	48.4	12.0	20.4	76.2		211-34G		
211-35	2 <sup>3</sup> / <sub>16</sub>	50													211-35G			

Interchange Page 47

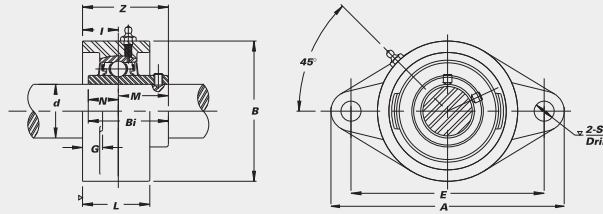
# 2-Bolt Flange Units



## UCFLX

### Medium duty with set screw lock.

- Wide inner race with greater load carrying capacity than standard duty
- B-type seals
- Cast iron housing
- L3-type seals available in some sizes



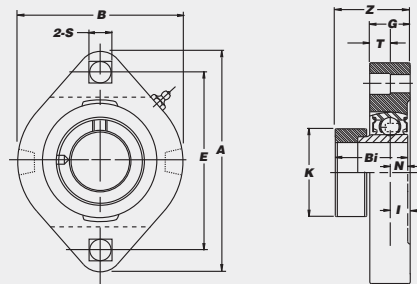
Unit No.	Shaft Dia.		Dimensions (in.) (mm)											Bolt Used (in.)	Bearing No.	Housing No.	Housing Weight (lbs.)
	d (in.)	d (mm)	A	E	I	G	L	S	B	Z	Bi	N	M				
UCFL X05-14 X05-15 X05-16	7/8 15/16 1	25	5 13/16 148	4 19/32 116.7	45/64 18	1/2 13	17/32 31	15/32 11.9	3 5/32 80	1 19/32 40.5	1.5000 38.1	0.6260 15.9	0.8740 22.2	3/8	UCX05-14 X05-15 X05-16	FL 206	2.4
UCFL X06-18 X06-19 X06-20	1 1/8 1 3/16 1 1/4	30	6 11/32 161	5 1/8 130.2	3/4 19	9/16 14	1 11/32 34	33/64 13	3 17/32 90	1 3/4 44.5	1.6890 42.9	0.6890 17.5	1.0000 25.4	7/16	UCX06-18 X06-19 X06-20	FL 207	3.3
UCFL X07-22 X07 X07-23	1 3/8 1 7/16	35	6 7/8 175	5 21/32 143.7	53/64 21	9/16 14	1 13/32 36	33/64 13	3 15/16 100	2 50.8	1.9370 49.2	0.7480 19.0	1.1890 30.2	7/16	UCX07-22 X07 X07-23	FL 208	4.2
UCFL X08-24 X08	1 1/2	40	7 13/32 188	5 27/32 148.4	55/64 22	19/32 15	1 1/2 38	19/32 15	4 1/4 108	2 1/16 52.4	1.9370 49.2	0.7480 19.0	1.1890 30.2	1/2	UCX08-24 X08	FL 209	4.6
UCFL X09-27 X09-28 X09	1 11/16 1 3/4 1 3/4	45	7 3/4 197	6 3/16 157	55/64 22	19/32 15	1 9/16 40	5/8 16	4 17/32 115	2 5/32 54.8	2.0315 51.6	0.7480 19.0	1.2835 32.6	1/2	UCX09-27 X09-28 X09	FL 210	5.3
UCFL X10-30 X10-31 X10-32	1 7/8 1 5/16 2	50	8 13/16 224	7 1/4 184	63/64 25	23/32 18	1 11/16 43	4 1/8 16.3	5 1/8 130	2 5/16 58.7	2.1890 55.6	0.8740 22.2	1.3150 33.4	9/16	UCX10-30 X10-31 X10-32	FL 211	8.4
UCFL X11 X11-35 X11-36	2 3/16 2 1/4	55	9 27/32 250	7 15/16 201.6	1 9/64 29	23/32 18	1 7/8 48	4 1/8 16.3	5 1/2 140	2 23/32 69.1	2.5630 65.1	1.0000 25.4	1.5630 39.7	9/16	UCX11 X11-35 X11-36	FL 212	9.9

STANDARD PRODUCTS



## SAMS

- Cast iron housing
- K-type seals
- Narrow inner race bearing
- Metric sizes available



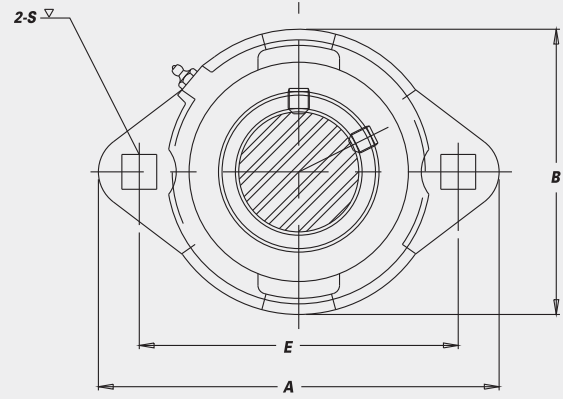
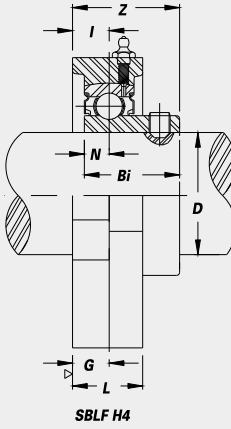
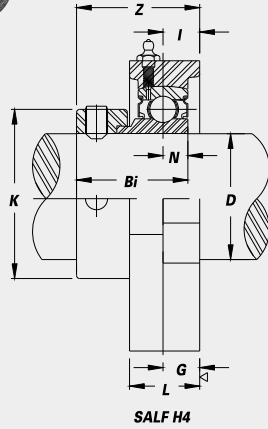
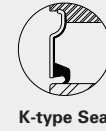
Unit No.	Shaft Dia.		Dimensions (in.) (mm)											Bolt Used (in.)	Bearing No.	Housing No.	Weight (lbs.)
	d (in.)	d (mm)	A	E	I	G	T	S	B	Z	Bi	N	K				
SAMS 201-8G 202-10G	1/2 5/8	81	3 3/16 63.5	2 1/2 63.5	19/64 7.4	37/64 14.7	9/32 7.1	9/32 7.1	2 5/16 58.7	1 3/16 30.0	1.1260 28.6	0.2362 6.0	1 1/8 29	1/4	SA 201-8G 202-10G	MS 203G	0.7
SAMS 204-12G	3/4	90.5	3 9/16 71.5	2 13/16 71.5	11/32 8.6	43/64 17.1	11/32 8.7	11/32 8.7	2 5/8 66.7	1 17/64 32.1	1.2205 31.0	0.2953 7.5	1 3/16 33	5/16	SA 204-12G	MS 204G	0.9
SAMS 205-14G 205-16G	7/8 1	95	3 3/4 76.2	3 76.2	3/8 9.5	11/16 17.5	11/32 8.7	11/32 8.7	2 51/64 71	1 19/64 33.0	1.2205 31.0	0.2953 7.5	1 1/2 38	5/16	SA 205-14G 205-16G	MS 205G	1.1
SAMS 206-18G 206-19G 206-20G	1 1/8 1 3/16 1 1/4	113	4 7/16 90.5	3 9/16 90.5	13/32 10.3	13/16 20.6	13/32 10.3	13/32 10.3	3 5/16 84.1	1 29/64 37.0	1.4055 35.7	0.3543 9.0	1 3/4 45	3/8	SA 206-18G 206-19G 206-20G	MS 206G	1.8
SAMS 207-20G 207-22G 207-23G	1 1/4 1 3/8 1 7/16	125.4	4 15/16 100.0	3 15/16 100.0	7/16 11.1	7/8 22.2	7/16 11.1	13/32 10.3	3 11/16 93.7	1 19/32 40.5	1.5315 38.9	0.3740 9.5	2 3/16 60	3/8	SA 207-20G 207-22G 207-23G	MS 207G	2.3

# SBLF H4 & SALF H4 Flange Units



- Ductile iron housing
- Square bolt holes
- K-type seals

- Narrow inner race bearing
- Also available non-relubricatable — please specify



## SBLF H4 Set screw type

Unit No.	Shaft Dia.		Dimensions (in.) (mm)										Bolt Used (in.)	Bearing No.	Housing No.	Weight (lbs.)
	d (in.)	d (mm)	A	E	I	G	L	S	B	Z	Bi	N				
SBLF 201-8GH4 202GH4 202-10GH4 203GH4	1/2 5/8	15 17	3 <sup>3</sup> / <sub>16</sub> 81	2 <sup>1</sup> / <sub>2</sub> 63.5	3/8 10	3/8 10	2 <sup>3</sup> / <sub>32</sub> 18	5/16 8	2 <sup>7</sup> / <sub>32</sub> 56	1 25.4	0.8661 22.0	0.2362 6.0	1/4	SB 201-8G 202G 202-10G 203G	LF 203 H4	0.6
SBLF 204-12GH4 204GH4	3/4	20	3 <sup>17</sup> / <sub>32</sub> 90	2 <sup>13</sup> / <sub>16</sub> 71.5	7/16 11	7/16 11	2 <sup>5</sup> / <sub>32</sub> 20	2 <sup>5</sup> / <sub>64</sub> 10	2 <sup>13</sup> / <sub>32</sub> 61	1 <sup>5</sup> / <sub>32</sub> 29.0	0.9843 25.0	0.2756 7.0	5/16	SB 204-12G 204G	LF 204 H4	0.7
SBLF 205-14GH4 205GH4 205-15GH4 205-16GH4	7/8 1 <sup>5</sup> / <sub>16</sub> 1	25	3 <sup>3</sup> / <sub>4</sub> 95	2 <sup>63</sup> / <sub>64</sub> 76.0	7/16 11	7/16 11	2 <sup>5</sup> / <sub>32</sub> 20	2 <sup>5</sup> / <sub>64</sub> 10	2 <sup>17</sup> / <sub>32</sub> 64	1 <sup>3</sup> / <sub>16</sub> 30.5	1.0630 27.0	0.2953 7.5	5/16	SB 205-14G 205G 205-15G 205-16G	LF 205 H4	0.9
SBLF 206-17GH4 206-18GH4 206GH4 206-19GH4 206-20GH4	1 <sup>1</sup> / <sub>16</sub> 1 <sup>1</sup> / <sub>8</sub> 1 <sup>3</sup> / <sub>16</sub> 1 <sup>3</sup> / <sub>16</sub> 1 <sup>1</sup> / <sub>4</sub> S	30	4 <sup>7</sup> / <sub>16</sub> 113	3 <sup>9</sup> / <sub>16</sub> 90.5	1 <sup>5</sup> / <sub>32</sub> 12	1 <sup>5</sup> / <sub>32</sub> 12	7/8 23	1 <sup>5</sup> / <sub>32</sub> 12	3 76	1 <sup>11</sup> / <sub>32</sub> 34.0	1.1811 30.0	0.3150 8.0	3/8	SB 206-17G 206-18G 206G 206-19G 206-20G	LF 206 H4	1.2
SBLF 207-20GH4 207-21GH4 207-22GH4 207GH4 207-23GH4	1 <sup>1</sup> / <sub>4</sub> 1 <sup>5</sup> / <sub>16</sub> 1 <sup>5</sup> / <sub>8</sub> 1 <sup>7</sup> / <sub>16</sub>	35	4 <sup>13</sup> / <sub>16</sub> 122	3 <sup>15</sup> / <sub>16</sub> 100.0	3 <sup>3</sup> / <sub>64</sub> 13	3 <sup>3</sup> / <sub>64</sub> 13	1 <sup>5</sup> / <sub>16</sub> 24	1 <sup>5</sup> / <sub>32</sub> 12	3 <sup>1</sup> / <sub>2</sub> 89	1 <sup>7</sup> / <sub>16</sub> 36.5	1.2992 33.0	0.3740 9.5	3/8	SB 207-20G 207-21G 207-22G 207G 207-23G	LF 207 H4	1.7

## SALF H4 Eccentric locking collar type

Unit No.	Shaft Dia.		Dimensions (in.) (mm)										Bolt Used (in.)	Bearing No.	Housing No.	Weight (lbs.)	
	d (in.)	d (mm)	A	E	I	G	L	S	B	Z	Bi	N					K
SALF 201-8GH4 202GH4 202-10GH4 203GH4	1/2 5/8	15 17	3 <sup>3</sup> / <sub>16</sub> 81	2 <sup>1</sup> / <sub>2</sub> 63.5	3/8 10	3/8 10	2 <sup>3</sup> / <sub>32</sub> 18	5/16 8	2 <sup>7</sup> / <sub>32</sub> 56	1 <sup>1</sup> / <sub>4</sub> 31.8	1.1260 28.6	0.2362 6.0	1 <sup>1</sup> / <sub>8</sub> 29	1/4	SA 201-8G 202G 202-10G 203G	LF 203 H4	0.7
SALF 204-12GH4 204GH4	3/4	20	3 <sup>17</sup> / <sub>32</sub> 90	2 <sup>13</sup> / <sub>16</sub> 71.5	7/16 11	7/16 11	2 <sup>5</sup> / <sub>32</sub> 20	2 <sup>5</sup> / <sub>64</sub> 10	2 <sup>13</sup> / <sub>32</sub> 61	1 <sup>23</sup> / <sub>64</sub> 34.4	1.2205 31.0	0.2953 7.5	1 <sup>5</sup> / <sub>16</sub> 33	5/16	SA 204-12G 204G	LF 204 H4	0.8
SALF 205-14GH4 205GH4 205-15GH4 205-16GH4	7/8 1 <sup>5</sup> / <sub>16</sub> 1	25	3 <sup>3</sup> / <sub>4</sub> 95	2 <sup>63</sup> / <sub>64</sub> 76.0	7/16 11	7/16 11	2 <sup>5</sup> / <sub>32</sub> 20	2 <sup>5</sup> / <sub>64</sub> 10	2 <sup>17</sup> / <sub>32</sub> 64	1 <sup>23</sup> / <sub>64</sub> 34.4	1.2205 31.0	0.2953 7.5	1 <sup>1</sup> / <sub>2</sub> 38	5/16	SA 205-14G 205G 205-15G 205-16G	LF 205 H4	1.0
SALF 206-17GH4 206-18GH4 206GH4 206-19GH4 206-20GH4	1 <sup>1</sup> / <sub>16</sub> 1 <sup>1</sup> / <sub>8</sub> 1 <sup>3</sup> / <sub>16</sub> 1 <sup>3</sup> / <sub>16</sub> 1 <sup>1</sup> / <sub>4</sub> S	30	4 <sup>7</sup> / <sub>16</sub> 113	3 <sup>9</sup> / <sub>16</sub> 90.5	1 <sup>5</sup> / <sub>32</sub> 12	1 <sup>5</sup> / <sub>32</sub> 12	7/8 23	1 <sup>5</sup> / <sub>32</sub> 12	3 76	1 <sup>11</sup> / <sub>32</sub> 38.9	1.4055 35.7	0.3543 9.0	1 <sup>3</sup> / <sub>4</sub> 45	3/8	SA 206-17G 206-18G 206G 206-19G 206-20G	LF 206 H4	1.4
SALF 207-20GH4 207-21GH4 207-22GH4 207GH4 207-23GH4	1 <sup>1</sup> / <sub>4</sub> 1 <sup>5</sup> / <sub>16</sub> 1 <sup>5</sup> / <sub>8</sub> 1 <sup>7</sup> / <sub>16</sub>	35	4 <sup>13</sup> / <sub>16</sub> 122	3 <sup>15</sup> / <sub>16</sub> 100.0	3 <sup>3</sup> / <sub>64</sub> 13	3 <sup>3</sup> / <sub>64</sub> 13	1 <sup>5</sup> / <sub>16</sub> 24	1 <sup>5</sup> / <sub>32</sub> 12	3 <sup>1</sup> / <sub>2</sub> 89	1 <sup>11</sup> / <sub>16</sub> 42.7	1.5315 38.9	0.3740 9.5	2 <sup>9</sup> / <sub>16</sub> 60	3/8	SA 207-20G 207-21G 207-22G 207G 207-23G	LF 207 H4	2.0

G=Relubricatable Specify "N" for non-relubricatable units Interchange Page 47

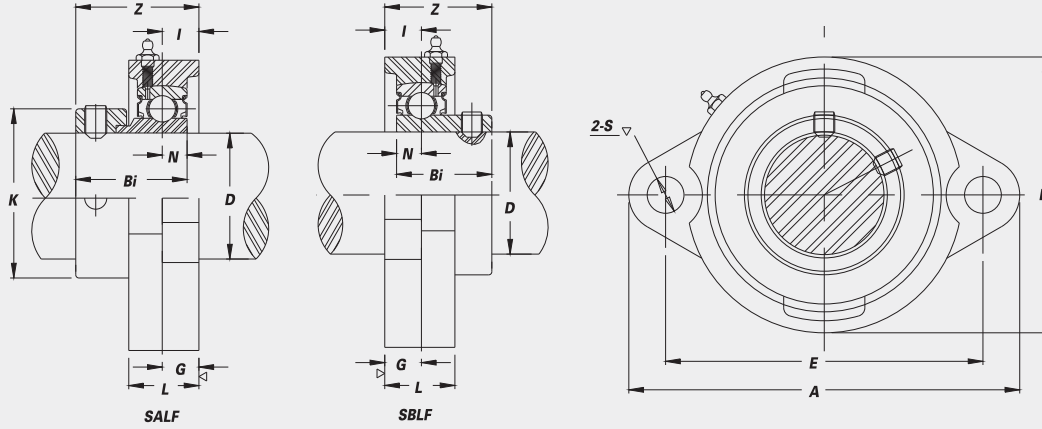
STANDARD PRODUCTS

# SBLF & SALF 2-Bolt Flange Units



- Cast iron housing
- Round bolt holes
- K-type seals

- Narrow inner race bearing
- Also available non-relubricatable — please specify



## SBLF Set screw type

Unit No.	Shaft Dia. <i>d</i>		Dimensions (in.) (mm)										Bolt Used (in.)	Bearing No.	Housing No.	Weight (lbs.)
	(in.)	(mm)	A	E	I	G	L	S	B	Z	Bi	N				
SBLF 201-8G	1/2	15	3 <sup>3</sup> / <sub>16</sub>	2 1/2	3/8	3/8	2 <sup>3</sup> / <sub>32</sub>	5/16	2 1/32	1	0.8661	0.2362	1/4	SB 201-8G		
202G		15	3 <sup>3</sup> / <sub>16</sub>	2 1/2	3/8	3/8	2 <sup>3</sup> / <sub>32</sub>	5/16	2 1/32	1	0.8661	0.2362	1/4	202G	LF 203G	0.6
202-10G	5/8	17	81	63.5	10	10	18	8	56	25.4	22.0	6.0		202-10G		
203G		17	81	63.5	10	10	18	8	56	25.4	22.0	6.0		203G		
SBLF 204-12G	3/4	20	3 17/32	2 13/16	7/16	7/16	2 <sup>5</sup> / <sub>32</sub>	2 <sup>5</sup> / <sub>64</sub>	2 13/32	1 <sup>5</sup> / <sub>32</sub>	0.9843	0.2756	5/16	SB 204-12G		
204G		20	90	71.5	11	11	20	10	61	29.0	25.0	7.0		204G	LF 204G	0.7
SBLF 205-14G	7/8	25	3 3/4	2 <sup>63</sup> / <sub>64</sub>	7/16	7/16	2 <sup>5</sup> / <sub>32</sub>	2 <sup>5</sup> / <sub>64</sub>	2 17/32	1 <sup>3</sup> / <sub>16</sub>	1.0630	0.2953	5/16	SB 205-14G		
205G		25	95	76.0	11	11	20	10	64	30.5	27.0	7.5		205G	LF 205G	0.9
205-15G	1 <sup>5</sup> / <sub>16</sub>													205-15G		
205-16G	1													205-16G		
SBLF 206-17G	1 1/16	30	4 7/16	3 9/16	1 <sup>5</sup> / <sub>32</sub>	1 <sup>5</sup> / <sub>32</sub>	7/8	1 <sup>5</sup> / <sub>32</sub>	3	1 11/32	1.1811	0.3150	3/8	SB 206-17G		
206-18G	1 1/8													206-18G	LF 206G	1.2
206G		30	113	90.5	12	12	23	12	76	34.0	30.0	8.0		206G		
206-19G	1 3/16													206-19G		
206-20G	1 1/4 S													206-20G		
SBLF 207-20G	1 1/4	35	4 13/16	3 15/16	3 <sup>3</sup> / <sub>64</sub>	3 <sup>3</sup> / <sub>64</sub>	1 <sup>5</sup> / <sub>16</sub>	1 <sup>5</sup> / <sub>32</sub>	3 1/2	1 7/16	1.2992	0.3740	3/8	SB 207-20G		
207-21G	1 5/16													207-21G	LF 207G	1.7
207-22G	1 3/8													207-22G		
207G		35	122	100.0	13	13	24	12	89	36.5	33.0	9.5		207G		
207-23G	1 7/16													207-23G		

## SALF Eccentric locking collar type

Unit No.	Shaft Dia. <i>d</i>		Dimensions (in.) (mm)										Bolt Used (in.)	Bearing No.	Housing No.	Weight (lbs.)	
	(in.)	(mm)	A	E	I	G	L	S	B	Z	Bi	N					K
SALF 201-8G	1/2	15	3 <sup>3</sup> / <sub>16</sub>	2 1/2	3/8	3/8	2 <sup>3</sup> / <sub>32</sub>	5/16	2 1/32	1 1/4	1.1260	0.2362	1 1/8	1/4	SA 201-8G		
202G		15	3 <sup>3</sup> / <sub>16</sub>	2 1/2	3/8	3/8	2 <sup>3</sup> / <sub>32</sub>	5/16	2 1/32	1 1/4	1.1260	0.2362	1 1/8	1/4	202G	LF 203G	0.7
202-10G	5/8	17	81	63.5	10	10	18	8	56	31.8	28.6	6.0	29		202-10G		
203G		17	81	63.5	10	10	18	8	56	31.8	28.6	6.0	29		203G		
SALF 204-12G	3/4	20	3 17/32	2 13/16	7/16	7/16	2 <sup>5</sup> / <sub>32</sub>	2 <sup>5</sup> / <sub>64</sub>	2 13/32	1 23/64	1.2205	0.2953	1 <sup>5</sup> / <sub>16</sub>	5/16	SA 204-12G		
204G		20	90	71.5	11	11	20	10	61	34.4	31.0	7.5	33		204G	LF 204G	0.8
SALF 205-14G	7/8	25	3 3/4	2 <sup>63</sup> / <sub>64</sub>	7/16	7/16	2 <sup>5</sup> / <sub>32</sub>	2 <sup>5</sup> / <sub>64</sub>	2 17/32	1 23/64	1.2205	0.2953	1 1/2	5/16	SA 205-14G		
205G		25	95	76.0	11	11	20	10	64	34.4	31.0	7.5	38		205G	LF 205G	1.0
205-15G	1 <sup>5</sup> / <sub>16</sub>													205-15G			
205-16G	1													205-16G			
SALF 206-17G	1 1/16	30	4 7/16	3 9/16	1 <sup>5</sup> / <sub>32</sub>	1 <sup>5</sup> / <sub>32</sub>	7/8	1 <sup>5</sup> / <sub>32</sub>	3	1 17/32	1.4055	0.3543	1 3/4	3/8	SA 206-17G		
206-18G	1 1/8													206-18G	LF 206G	1.4	
206G		30	113	90.5	12	12	23	12	76	38.9	35.7	9.0	45		206G		
206-19G	1 3/16													206-19G			
206-20G	1 1/4 S													206-20G			
SALF 207-20G	1 1/4	35	4 13/16	3 15/16	3 <sup>3</sup> / <sub>64</sub>	3 <sup>3</sup> / <sub>64</sub>	1 <sup>5</sup> / <sub>16</sub>	1 <sup>5</sup> / <sub>32</sub>	3 1/2	1 11/16	1.5315	0.3740	2 <sup>3</sup> / <sub>16</sub>	3/8	SA 207-20G		
207-21G	1 5/16													207-21G	LF 207G	2.0	
207-22G	1 3/8													207-22G			
207G		35	122	100.0	13	13	24	12	89	42.7	38.9	9.5	60		207G		
207-23G	1 7/16													207-23G			

G=Relubricatable Specify "N" for non-relubricatable units





# UCHA Hanger Units



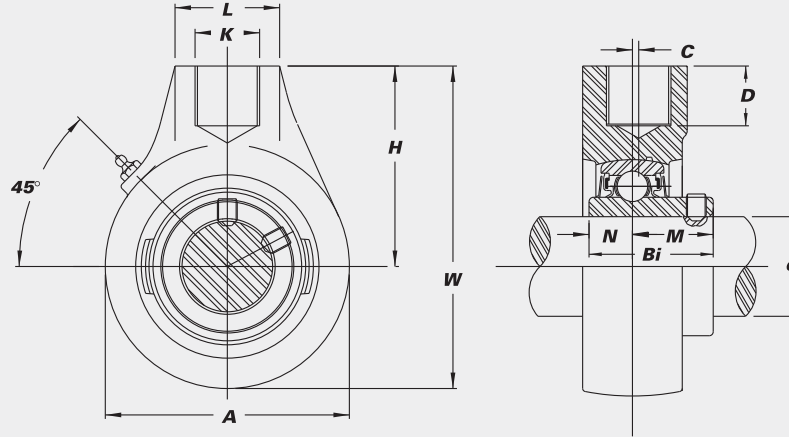
B-type Seal



L3-type Seal

## Standard duty with set screw lock.

- Cast iron housing
- Wide inner race bearing
- Available with eccentric locking collar bearing
- B-type seals
- L3-type seals available in some sizes



Unit No.	Shaft Dia.		Dimensions (in.) (mm)									Bearing No.	Housing No.	Weight (lbs.)				
	d (in.)	d (mm)	A	W	C	H	L	D	K	Bi	N				M			
UCHA 201		12														UC 201		
201-8	1/2															201-8		
202		15														202		
202-10	5/8		2 <sup>33</sup> / <sub>64</sub>	3 <sup>25</sup> / <sub>32</sub>	0	2 <sup>33</sup> / <sub>64</sub>	1 <sup>9</sup> / <sub>16</sub>	3/4	PF 3/4	1.2205	0.5000	0.7205			202-10	HA 204	1.7	
203		17	64	96		64	40	19.1	-14	31.0	12.7	18.3			203			
204-12	3/4														204-12			
204		20													204			
UCHA 205-14	7/8															UC 205-14		
205-15	1 <sup>5</sup> / <sub>16</sub>		3 <sup>1</sup> / <sub>16</sub>	4 <sup>1</sup> / <sub>16</sub>	0	2 <sup>33</sup> / <sub>64</sub>	1 <sup>9</sup> / <sub>16</sub>	3/4	PF 3/4	1.3386	0.5630	0.7756			205-15	HA 205	1.9	
205		25	78	103		64	40	19.1	-14	34.0	14.3	19.7			205			
205-16	1														205-16			
UCHA 206-17	1 <sup>1</sup> / <sub>16</sub>															UC 206-17		
206-18	1 <sup>1</sup> / <sub>8</sub>		3 <sup>5</sup> / <sub>32</sub>	4 <sup>3</sup> / <sub>32</sub>	0	2 <sup>33</sup> / <sub>64</sub>	1 <sup>9</sup> / <sub>16</sub>	3/4	PF 3/4	1.5000	0.6260	0.8740			206-18	HA 206	1.9	
206		30	80	104		64	40	19.1	-14	38.1	15.9	22.2			206			
206-19	1 <sup>3</sup> / <sub>16</sub>														206-19			
206-20	1 <sup>1</sup> / <sub>4</sub> S														206-20			
UCHA 207-20	1 <sup>1</sup> / <sub>4</sub>															UC 207-20		
207-21	1 <sup>5</sup> / <sub>16</sub>		3 <sup>5</sup> / <sub>8</sub>	4 <sup>9</sup> / <sub>16</sub>	0	2 <sup>3</sup> / <sub>4</sub>	1 <sup>9</sup> / <sub>16</sub>	3/4	PF 3/4	1.6890	0.6890	1.0000			207-21	HA 207	2.6	
207-22	1 <sup>3</sup> / <sub>8</sub>		92	116		70	40	19.1	-14	42.9	17.5	25.4			207-22			
207		35													207			
207-23	1 <sup>7</sup> / <sub>16</sub>														207-23			
UCHA 208-24	1 <sup>1</sup> / <sub>2</sub>		3 <sup>15</sup> / <sub>16</sub>	4 <sup>27</sup> / <sub>32</sub>	5/64	2 <sup>7</sup> / <sub>8</sub>	1 <sup>9</sup> / <sub>16</sub>	3/4	PF 3/4	1.9370	0.7480	1.1890			UC 208-24			
208-25	1 <sup>9</sup> / <sub>16</sub>		100	123	2	73	40	19.1	-14	49.2	19.0	30.2			208-25	HA 208	3.4	
208		40													208			
UCHA 209-26	1 <sup>5</sup> / <sub>8</sub>		4 <sup>1</sup> / <sub>4</sub>	5 <sup>11</sup> / <sub>32</sub>	1 <sup>3</sup> / <sub>64</sub>	3 <sup>15</sup> / <sub>64</sub>	1 <sup>7</sup> / <sub>8</sub>	1 <sup>3</sup> / <sub>16</sub>	PF 1	1.9370	0.7480	1.1890			UC 209-26			
209-27	1 <sup>11</sup> / <sub>16</sub>		108	136	5	82	48	21	PF 1	1.9370	0.7480	1.1890			209-27	HA 209	3.9	
209-28	1 <sup>3</sup> / <sub>4</sub>								-11 <sup>1</sup> / <sub>2</sub>	49.2	19.0	30.2			209-28			
209		45													209			
UCHA 210-30	1 <sup>7</sup> / <sub>8</sub>		4 <sup>21</sup> / <sub>32</sub>	5 <sup>19</sup> / <sub>32</sub>	1 <sup>3</sup> / <sub>64</sub>	3 <sup>17</sup> / <sub>64</sub>	1 <sup>7</sup> / <sub>8</sub>	1 <sup>3</sup> / <sub>16</sub>	PF 1	2.0315	0.7480	1.2835			UC 210-30			
210-31	1 <sup>15</sup> / <sub>16</sub>		118	142	5	83	48	21	PF 1	2.0315	0.7480	1.2835			210-31	HA 210	4.6	
210		50							-11 <sup>1</sup> / <sub>2</sub>	51.6	19.0	32.6			210			
210-32	2S														210-32			
UCHA 211-34	2 <sup>1</sup> / <sub>8</sub>		5 <sup>19</sup> / <sub>32</sub>	6 <sup>13</sup> / <sub>16</sub>	2 <sup>3</sup> / <sub>64</sub>	4 <sup>1</sup> / <sub>64</sub>	2 <sup>3</sup> / <sub>8</sub>	1 <sup>3</sup> / <sub>32</sub>	PF 1 <sup>1</sup> / <sub>4</sub>	2.5630	1.0000	1.5630			UC X11-34			
211		55	142	173	9	102	60	28	PF 1 <sup>1</sup> / <sub>4</sub>	2.5630	1.0000	1.5630			X11	HA 212	8.5	
211-35	2 <sup>9</sup> / <sub>16</sub>								-11 <sup>1</sup> / <sub>2</sub>	65.1	25.4	39.7			X11-35			
UCHA 212-36	2 <sup>1</sup> / <sub>4</sub>		5 <sup>19</sup> / <sub>32</sub>	6 <sup>13</sup> / <sub>16</sub>	2 <sup>3</sup> / <sub>64</sub>	4 <sup>1</sup> / <sub>64</sub>	2 <sup>3</sup> / <sub>8</sub>	1 <sup>3</sup> / <sub>32</sub>	PF 1 <sup>1</sup> / <sub>4</sub>	2.5630	1.0000	1.5630			UC 212-36			
212		60	142	173	9	102	60	28	PF 1 <sup>1</sup> / <sub>4</sub>	2.5630	1.0000	1.5630			212	HA 212	8.2	
212-38	2 <sup>9</sup> / <sub>8</sub>								-11 <sup>1</sup> / <sub>2</sub>	65.1	25.4	39.7			212-38			
212-39	2 <sup>7</sup> / <sub>16</sub>														212-39			
UCHA 214-43	2 <sup>11</sup> / <sub>16</sub>		6 <sup>17</sup> / <sub>32</sub>	7 <sup>7</sup> / <sub>8</sub>	3 <sup>3</sup> / <sub>8</sub>	4 <sup>39</sup> / <sub>64</sub>	2 <sup>3</sup> / <sub>4</sub>	1 <sup>1</sup> / <sub>4</sub>	PF 1 <sup>1</sup> / <sub>2</sub>	3.0630	1.3110	1.7520			UC X14-43			
214		70	166	200	9.5	117	70	32	PF 1 <sup>1</sup> / <sub>2</sub>	3.0630	1.3110	1.7520			X14	HA 215	13.2	
UCHA 215-47	2 <sup>15</sup> / <sub>16</sub>		6 <sup>17</sup> / <sub>32</sub>	7 <sup>7</sup> / <sub>8</sub>	3 <sup>3</sup> / <sub>8</sub>	4 <sup>39</sup> / <sub>64</sub>	2 <sup>3</sup> / <sub>4</sub>	1 <sup>1</sup> / <sub>4</sub>	PF 1 <sup>1</sup> / <sub>2</sub>	3.0630	1.3110	1.7520			UC 215-47			
215		75	166	200	9.5	117	70	32	PF 1 <sup>1</sup> / <sub>2</sub>	3.0630	1.3110	1.7520			215	HA 215	12.2	
215-48	3								-11 <sup>1</sup> / <sub>2</sub>	77.8	33.3	44.5			215-48			

Interchange Page 47

STANDARD PRODUCTS

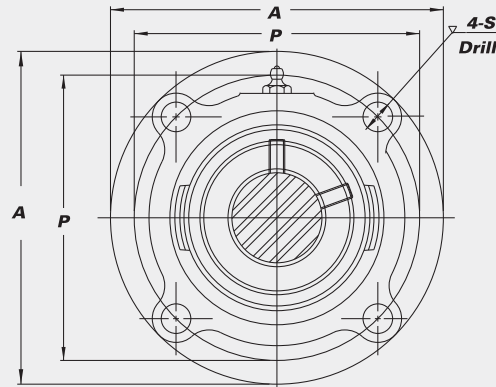
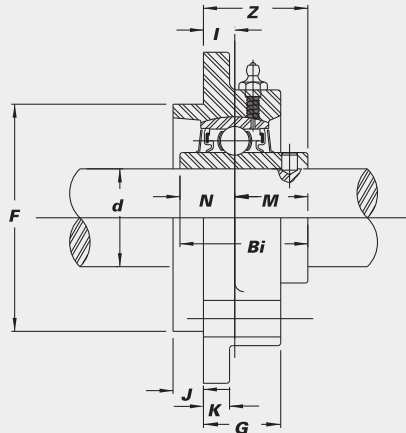


# UCFCF 4-Bolt Piloted Flange Units



## Standard duty with set screw lock.

- Cast iron housing
- Wide inner race bearing
- Available with eccentric locking collar bearing
- B-type seals
- L3-type seals available in some sizes

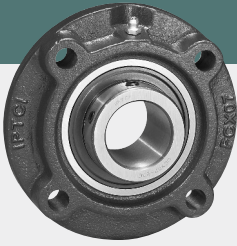


STANDARD PRODUCTS

Unit No.	Shaft Dia.		Dimensions (in.) (mm)											Bolt Used (in.)	Bearing No.	Housing No.	Weight (lbs.)	
	d (in.)	d (mm)	A	P	S	J	K	G	F	I	Z	Bi	N					M
UCFCF 205-14 205-15 205	7/8 15/16	25	4 3/8 111	3 5/8 92.1	1 3/32 10.3	1/4 6	3/8 10	55/64 22	3.000 76.2	7/16 11	1 7/32 31.0	1.3386 34.0	0.5630 14.3	0.7756 19.7	5/16	UC 205-14 205-15 205	FCF 205	2.6
UCFCF 206-17 206-18 206 206-19 206-20	1 1/16 1 1/8 1 3/16 1 1/4 S	30	5 127	4 1/8 104.8	1 5/32 11.9	2 7/64 11	3/8 10	25/32 20	3.375 85.7	1 9/64 7.5	1 11/64 29.8	1.5000 38.1	0.6260 15.9	0.8740 22.2	3/8	UC 206-17 206-18 206 206-19 206-20	FCF 206	3.9
UCFCF 207-20 207-21 207-22 207 207-23	1 1/4 1 5/16 1 3/8 1 7/16	35	5 1/4 133	4 3/8 111.1	1 5/32 11.9	1 1/2 12	7/8 12	22 22	3.625 92.1	9/32 7	1 13/32 32.5	1.6890 49.9	0.6890 17.5	1.0000 25.4	3/8	UC 207-20 207-21 207-22 207 207-23	FCF 207	4.2
UCFCF 208-24 208-25 208	1 1/2 1 9/16	40	5 1/4 133	4 3/8 111.1	1 5/32 11.9	1 1/2 12	1 1/32 26	22 22	3.625 92.1	3/8 9.5	1 9/16 39.7	1.9370 49.2	0.7480 19.0	1.1890 30.2	3/8	UC 208-24 208-25 208	FCF 208	4.6
UCFCF 209-26 209-27 209-28 209	1 5/8 1 11/16 1 3/4	45	6 1/8 156	5 1/8 130.2	1 7/32 13.5	1 5/32 12	2 9/64 12	22 22	4.250 108.0	7/32 5.5	1 13/32 35.7	1.9370 49.2	0.7480 19.0	1.1890 30.2	7/16	UC 209-26 209-27 209-28 209	FCF 209	6.2
UCFCF 210-30 210-31 210 210-32	1 7/8 1 15/16 2S	50	6 3/8 162	5 3/8 136.5	1 7/32 13.5	5/8 16	1 1/2 12	1 1/16 27	4.500 114.3	1 1/32 9	1 5/8 41.3	2.0315 51.6	0.7480 19.0	1.2835 32.6	7/16	UC 210-30 210-31 210 210-32	FCF 210	7.0
UCFCF 211-32 211-34 211 211-35	2 2 1/8 2 1/2 2 9/16	55	7 7/8 181	6 152.4	1 9/32 15.1	7/8 22	1 1/2 12	22 22	5.000 127.0	7/32 5.5	1 17/32 38.9	2.1890 55.6	0.8740 22.2	1.3150 33.4	1/2	UC 211-32 211-34 211 211-35	FCF 211	9.1

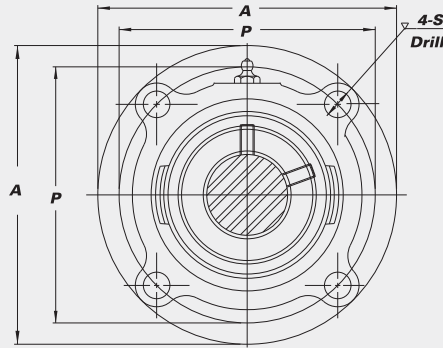
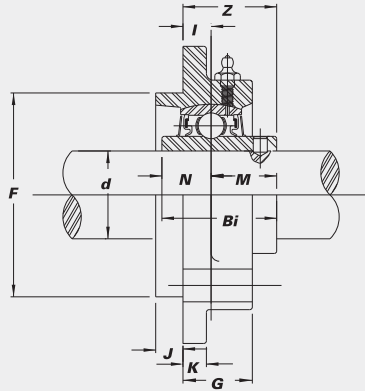
Interchange Page 47

# UCFCX 4-Bolt Piloted Flange Units



## Medium duty with set screw lock.

- Wide inner race bearing with greater load carrying capacity than standard duty
- B-type seals
- L3-type seals available in some sizes



STANDARD PRODUCTS

Unit No.	Shaft Dia.		Dimensions (in. (mm))											Bolt Used (in.)	Bearing No.	Housing No.	Weight (lbs.)	
	d (in.)	d (mm)	A	P	S	J	K	G	F	I	Z	Bi	N					M
UCFC X05-14 X05-15 X05 X05-16	7/8 15/16 1	25	4 3/8 111	3 5/8 92	3/8 9.5	15/64 6.0	3/8 9.5	15/16 24.0	3.000 76.2	25/64 10	19/32 32.2	1.5000 38.1	0.6260 15.9	0.8740 22.2	5/16	UC X05-14 X05-15 X05 X05-16	FC X05	2.6
UCFC X06-18 X06 X06-19 X06-20	1 1/8 1 3/16 1 1/4	30	5 127	4 1/8 104.8	15/32 12.0	3/8 9.5	3/8 9.5	7/8 22.5	3.375 85.7	5/16 8	15/16 33.4	1.6890 42.9	0.6890 17.5	1.0000 25.4	3/8	UC X06-18 X06 X06-19 X06-20	FC X06	3.3
UCFC X07-22 X07 X07-23	1 3/8 1 7/16	35	5 1/4 133	4 3/8 111	15/32 12.0	7/16 11.0	7/16 11.0	1 1/32 26.0	3.625 92.1	23/64 9	1 17/32 39.2	1.9370 49.2	0.7480 19.0	1.1890 30.2	3/8	UC X07-22 X07 X07-23	FC X07	4.2
UCFC X08-24 X08	1 1/2	40	5 1/4 133	4 3/8 111	15/32 12.0	7/16 11.0	7/16 11.0	1 1/32 26.0	3.625 92.1	23/64 9	1 17/32 39.2	1.9370 49.2	0.7480 19.0	1.1890 30.2	3/8	UC X08-24 X08	FC X08	4.4
UCFC X09-26 X09-27 X09-28 X09	1 5/8 1 11/16 1 3/4 45	45	6 3/32 155	5 1/8 130	35/64 14.0	15/32 12.0	7/16 11.0	1 25.0	4.250 108.0	5/16 8	1 19/32 40.6	2.0315 51.6	0.7480 19.0	1.2835 32.6	7/16	UC X09-26 X09-27 X09-28 X09	FC X09	5.7
UCFC X10-30 X10-31 X10 X10-32	1 7/8 1 15/16 2	50	6 3/8 162	5 3/8 136.5	35/64 14.0	5/8 16.0	7/16 11.0	1 25.0	4.500 114.3	9/32 7	1 19/32 40.4	2.1890 55.6	0.8740 22.2	1.3150 33.4	7/16	UC X10-30 X10-31 X10 X10-32	FC X10	7.0
UCFC X11-34 X11 X11-35 X11-36	2 1/8 2 3/16 2 1/4	55	7 3/32 180	6 152.4	5/8 16.0	55/64 22.0	1/2 13.0	1 1/32 26.0	5.000 127.0	5/32 4	1 23/32 43.7	2.5630 65.1	1.0000 25.4	1.5630 39.7	1/2	UC X11-34 X11 X11-35 X11-36	FC X11	9.5
UCFC X12 X12-38 X12-39	60 2 3/8 2 1/16	60	7 5/8 194	6 1/2 165	5/8 16.0	25/32 20.0	9/16 14.0	15/16 33.0	5.500 139.7	7/16 11	2 50.7	2.5630 65.1	1.0000 25.4	1.5630 39.7	1/2	UC X12 X12-38 X12-39	FC X12	11.7
UCFC X13-40 X13	2 1/2	65	7 5/8 194	6 1/2 165	5/8 16.0	25/32 20.0	9/16 14.0	15/16 33.0	5.500 139.7	7/16 11	2 3/16 55.4	2.9370 74.6	1.1890 30.2	1.7480 44.4	1/2	UC X13-40 X13	FC X13	12.5
UCFC X15-47 X15 X15-48	2 15/16 3	75	8 3/4 222	7 1/2 190.5	3/4 19.0	55/64 22.0	5/8 16.0	1 3/8 35.0	6.375 161.9	15/32 12	2 13/32 61.3	3.2520 82.6	1.3110 33.3	1.9410 49.3	5/8	UC X15-47 X15 X15-48	FC X15	17.6
UCFC X17 X17-55 X17-56	85 3 7/16 3 1/2	85	10 1/4 260	8 5/8 219	29/32 23.0	63/64 25.0	3/4 19.0	1 13/32 36.0	7.375 187.3	25/64 10	2 5/8 66.3	3.7795 96.0	1.5630 39.7	2.2165 56.3	3/4	UC X17 X17-55 X17-56	FC X17	28.4
UCFC X20 X20-63 X20-64	100 3 15/16 4	100	10 7/8 276	9 3/8 238	29/32 23.0	1 7/64 28.0	7/8 22.0	2 19/32 66.0	8.125 206.4	55/64 22	3 9/16 90.3	4.6260 117.5	1.9370 49.2	2.6890 68.3	3/4	UC X20 X20-63 X20-64	FC X20	40.0

Interchange Page 47

# UCFC 4-Bolt Piloted Flange Units

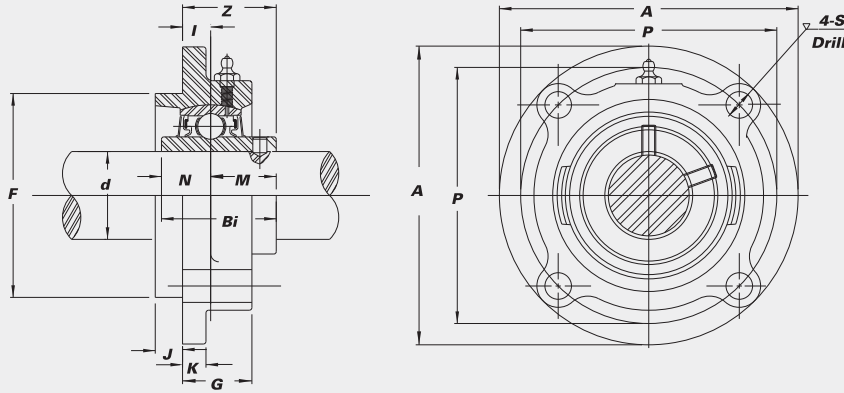


B-type Seal



L3-type Seal

Standard duty with set screw lock.

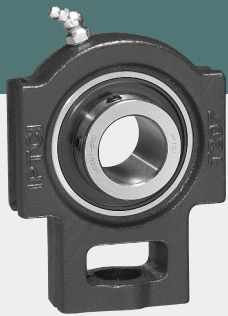


STANDARD PRODUCTS

Unit No.	Shaft Dia.		Dimensions (in.) (mm)											Bolt Used (in) (mm)	Bearing No.	Housing No.	Housing Weight (lbs.)			
	d (in.)	d (mm)	A	P	S	J	K	G	F	I	Z	Bi	N					M		
UCFC 201		12																UC 201		
201-8	1/2																	201-8		
202		15																202		
202-10	5/8		3 <sup>15</sup> / <sub>16</sub>	3 <sup>5</sup> / <sub>64</sub>	1 <sup>5</sup> / <sub>32</sub>	3/16	9/32	1 <sup>3</sup> / <sub>16</sub>	2.4409	2 <sup>5</sup> / <sub>64</sub>	1 <sup>7</sup> / <sub>64</sub>	1.2205	0.5000	0.7205		M10	202-10	FC 204	2.0	
203		17																203		
204-12	3/4																	204-12		
204		20																204		
UCFC 205-14	7/8																	UC 205-14		
205-15	1 <sup>5</sup> / <sub>16</sub>																	205-15		
205		25	4 <sup>1</sup> / <sub>2</sub>	3 <sup>35</sup> / <sub>64</sub>	1 <sup>5</sup> / <sub>32</sub>	1 <sup>5</sup> / <sub>16</sub>	9/32	1 <sup>3</sup> / <sub>16</sub>	2.7559	2 <sup>5</sup> / <sub>64</sub>	1 <sup>11</sup> / <sub>64</sub>	1.3386	0.5630	0.7756		M10	205	FC 205	2.4	
205-16	1																	205-16		
UCFC 206-17	1 <sup>1</sup> / <sub>16</sub>																	UC 206-17		
206-18	1 <sup>1</sup> / <sub>8</sub>																	206-18		
206		30	4 <sup>15</sup> / <sub>16</sub>	3 <sup>15</sup> / <sub>16</sub>	1 <sup>5</sup> / <sub>32</sub>	5/16	5/16	2 <sup>9</sup> / <sub>32</sub>	3.1496	2 <sup>5</sup> / <sub>64</sub>	1 <sup>17</sup> / <sub>64</sub>	1.5000	0.6260	0.8740		M10	206	FC 206	3.3	
206-19	1 <sup>3</sup> / <sub>16</sub>																	206-19		
206-20	1 <sup>1</sup> / <sub>4</sub> S																	206-20		
UCFC 207-20	1 <sup>1</sup> / <sub>4</sub>																	UC 207-20		
207-21	1 <sup>3</sup> / <sub>16</sub>																	207-21		
207-22	1 <sup>3</sup> / <sub>8</sub>																	207-22		
207		35	5 <sup>5</sup> / <sub>16</sub>	4 <sup>21</sup> / <sub>64</sub>	3 <sup>5</sup> / <sub>64</sub>	5/16	1 <sup>1</sup> / <sub>32</sub>	1 <sup>1</sup> / <sub>32</sub>	3.5433	7/16	1 <sup>7</sup> / <sub>16</sub>	1.6890	0.6890	1.0000	1/2	M12	207	FC 207	3.7	
207-23	1 <sup>7</sup> / <sub>16</sub>																	207-23		
UCFC 208-24	1 <sup>1</sup> / <sub>2</sub>																	UC 208-24		
208-25	1 <sup>9</sup> / <sub>16</sub>																	208-25		
208		40	5 <sup>11</sup> / <sub>16</sub>	4 <sup>23</sup> / <sub>32</sub>	3 <sup>5</sup> / <sub>64</sub>	1 <sup>3</sup> / <sub>32</sub>	1 <sup>1</sup> / <sub>32</sub>	1 <sup>1</sup> / <sub>32</sub>	3.9370	7/16	1 <sup>5</sup> / <sub>8</sub>	1.9370	0.7480	1.1890	1/2	M12	208	FC 208	4.6	
UCFC 209-26	1 <sup>5</sup> / <sub>8</sub>																	UC 209-26		
209-27	1 <sup>11</sup> / <sub>16</sub>																	209-27		
209-28	1 <sup>3</sup> / <sub>4</sub>																	209-28		
209		45	6 <sup>5</sup> / <sub>16</sub>	5 <sup>13</sup> / <sub>64</sub>	5/8	1 <sup>5</sup> / <sub>32</sub>	3 <sup>5</sup> / <sub>64</sub>	1 <sup>1</sup> / <sub>32</sub>	4.1339	2 <sup>5</sup> / <sub>64</sub>	1 <sup>37</sup> / <sub>64</sub>	1.9370	0.7480	1.1890	9/16	M14	209	FC 209	6.6	
UCFC 210-30	1 <sup>7</sup> / <sub>8</sub>																	UC 210-30		
210-31	1 <sup>15</sup> / <sub>16</sub>																	210-31		
210		50	6 <sup>1</sup> / <sub>2</sub>	5 <sup>7</sup> / <sub>16</sub>	5/8	1 <sup>5</sup> / <sub>32</sub>	3 <sup>5</sup> / <sub>64</sub>	1 <sup>3</sup> / <sub>32</sub>	4.3307	2 <sup>5</sup> / <sub>64</sub>	1 <sup>43</sup> / <sub>64</sub>	2.0315	0.7480	1.2835	9/16	M14	210	FC 210	6.8	
210-32	2S																	210-32		
UCFC 211-32	2																	UC 211-32		
211-34	2 <sup>1</sup> / <sub>8</sub>																	211-34		
211		55	7 <sup>5</sup> / <sub>16</sub>	5 <sup>23</sup> / <sub>32</sub>	3/4	1 <sup>5</sup> / <sub>32</sub>	1 <sup>9</sup> / <sub>32</sub>	1 <sup>7</sup> / <sub>32</sub>	4.9213	1/2	1 <sup>53</sup> / <sub>64</sub>	2.1890	0.8740	1.3150	5/8	M16	211	FC 211	8.6	
211-35	2 <sup>3</sup> / <sub>16</sub>																	211-35		
UCFC 212-36	2 <sup>1</sup> / <sub>4</sub>																	UC 212-36		
212		60	7 <sup>11</sup> / <sub>16</sub>	6 <sup>19</sup> / <sub>64</sub>	3/4	1 <sup>5</sup> / <sub>32</sub>	1 <sup>9</sup> / <sub>32</sub>	1 <sup>27</sup> / <sub>64</sub>	5.3150	4 <sup>3</sup> / <sub>64</sub>	2 <sup>15</sup> / <sub>64</sub>	2.5630	1.0000	1.5630	5/8	M16	212	FC 212	9.7	
212-38	2 <sup>3</sup> / <sub>8</sub>																	212-38		
212-39	2 <sup>7</sup> / <sub>16</sub>																	212-39		
UCFC 213-40	2 <sup>1</sup> / <sub>2</sub>																	UC 213-40		
213		65	8 <sup>1</sup> / <sub>16</sub>	6 <sup>11</sup> / <sub>16</sub>	3/4	3 <sup>5</sup> / <sub>64</sub>	1 <sup>9</sup> / <sub>32</sub>	1 <sup>27</sup> / <sub>64</sub>	5.7087	5/8	2 <sup>3</sup> / <sub>16</sub>	2.5630	1.0000	1.5630	5/8	M16	213	FC 213	11.7	
UCFC 214-43	2 <sup>11</sup> / <sub>16</sub>																	UC 214-43		
214-44	2 <sup>3</sup> / <sub>4</sub>																	214-44		
214		70	8 <sup>15</sup> / <sub>32</sub>	6 <sup>31</sup> / <sub>32</sub>	3/4	3 <sup>5</sup> / <sub>64</sub>	2 <sup>3</sup> / <sub>32</sub>	1 <sup>37</sup> / <sub>64</sub>	5.9055	4 <sup>3</sup> / <sub>64</sub>	2 <sup>27</sup> / <sub>64</sub>	2.9370	1.1890	1.7480	5/8	M16	214	FC 214	15.0	
UCFC 215-47	2 <sup>15</sup> / <sub>16</sub>																	UC 215-47		
215		75	8 <sup>21</sup> / <sub>32</sub>	7 <sup>1</sup> / <sub>4</sub>	3/4	5/8	2 <sup>3</sup> / <sub>32</sub>	1 <sup>37</sup> / <sub>64</sub>	6.2992	4 <sup>5</sup> / <sub>64</sub>	2 <sup>15</sup> / <sub>32</sub>	3.0630	1.3110	1.7520	5/8	M16	215	FC 215	16.3	
215-48	3																	215-48		

Interchange Page 47

# UCT Take Up Units



## Wide slot, standard duty with set screw lock.

- Cast iron housing
- Wide inner race bearing
- Available with high temp. bearing - See page 46

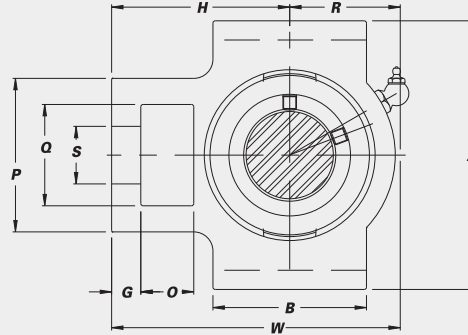
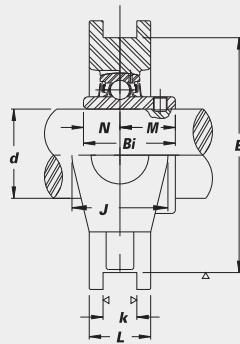
- B-type seals
- L3-type seals available in some sizes



B-type Seal



L3-type Seal



Unit No.	Shaft Dia.		Dimensions (in.) (mm)															Bearing No.	Housing No.	Weight (lbs.)			
	d		O	G	P	Q	S	B	k	E	A	W	J	L	R	H	Bi				N	M	
UCT 201		12																			UC 201		
201-8	1/2	15																			201-8		
202		15																			202		
202-10	5/8	17	5/8	13/32	2	1 1/4	3/4	2	17/32	3	3 1/2	3 11/16	1 1/4	13/16	1 5/16	2 13/32	1.2205	0.5000	0.7205		T 204	1.7	
203		17	16	10	51	32	19	51	13.5	76.2	89	94	32	21	33	61	31.0	12.7	18.3				
204-12	3/4	20																			203		
204		20																			204-12		
204		20																			204		
UCT 205-14	7/8																				UC 205-14		
205-15	15/16	25	5/8	13/32	2	1 1/4	3/4	2	17/32	3	3 1/2	3 13/16	1 1/4	15/16	1 3/8	2 1/16	1.3386	0.5630	0.7756		T 205	1.9	
205		25	16	10	51	32	19	51	13.5	76.2	89	97	32	24	35	62	34.0	14.3	19.7				
205-16	1																				205-16		
UCT 206-17	1 1/16																				UC 206-17		
206-18	1 1/8	30	5/8	13/32	2 1/2	1 5/8	55/64	2 1/4	17/32	3 1/2	4 1/32	4 7/16	1 5/8	1 3/32	1 11/16	2 3/4	1.5000	0.6260	0.8740		T 206	2.9	
206		30	16	10	56	37	22	57	13.5	88.9	102	113	37	28	43	70	38.1	15.9	22.2				
206-19	1 3/16																				206-19		
206-20	1 1/4 S																				206-20		
UCT 207-20	1 1/4																				UC 207-20		
207-21	1 5/16	35	5/8	1/2	2 17/32	1 15/32	55/64	2 17/32	17/32	3 1/2	4 1/32	5 3/32	1 5/8	1 3/16	2	3 1/16	1.6890	0.6890	1.0000		T 207	3.5	
207-22	1 3/8		16	13	64	37	22	64	13.5	88.9	102	129	37	30	51	78	42.9	17.5	25.4				
207		35																			207		
207-23	1 7/16																				207-23		
UCT 208-24	1 1/2																				UC 208-24		
208-25	1 9/16	40	3/4	5/8	3 3/32	1 15/16	1 5/64	3 3/32	1 1/16	4	4 1/2	5 21/32	1 15/16	1 5/16	2 7/32	3 15/32	1.9370	0.7480	1.1890		T 208	5.5	
208		40	19	16	83	49	29	83	17.5	101.6	114	144	49	33	56	88	49.2	19.0	30.2				
UCT 209-26	1 5/8																				UC 209-26		
209-27	1 11/16	45	3/4	5/8	3 3/32	1 15/16	1 5/64	3 3/32	1 1/16	4	4 19/32	5 21/32	1 15/16	1 3/8	2 1/4	3 7/16	1.9370	0.7480	1.1890		T 209	5.5	
209-28	1 3/4		19	16	83	49	29	83	17.5	101.6	117	144	49	35	57	87	49.2	19.0	30.2				
209		45																			209		
UCT 210-30	1 7/8																				UC 210-30		
210-31	1 15/16	50	3/4	5/8	3 3/32	1 15/16	1 5/64	3 3/8	1 1/16	4	4 19/32	5 7/8	1 15/16	1 5/8	2 5/16	3 17/32	2.0315	0.7480	1.2835		T 210	5.7	
210		50	19	16	83	49	29	86	17.5	101.6	117	149	49	37	59	90	51.6	19.0	32.6				
210-32	2 S																				210-32		
UCT 211-32	2																				UC 211-32		
211-34	2 1/8	55	1	3/4	4 1/32	2 17/32	1 3/8	3 3/4	1 1/16	5 1/8	5 3/4	6 23/32	2 17/32	1 1/2	2 9/16	4 3/16	2.1890	0.8740	1.3150		T 211	8.8	
211		55	25	19	102	64	35	95	27	130.2	146	171	64	38	65	106	55.6	22.2	33.4				
211-35	2 5/16																				211-35		
UCT 212-36	2 1/4																				UC 212-36		
212		60	1 1/4	3/4	4 1/32	2 17/32	1 3/8	4 1/32	1 1/16	5 1/8	5 3/4	7 7/8	2 17/32	1 21/32	2 5/16	4 11/16	2.5630	1.0000	1.5630		T 212	10.6	
212-38	2 3/8		32	19	102	64	35	102	27	130.2	146	194	64	42	75	119	65.1	25.4	39.7				
212-39	2 7/16																				212-39		
UCT 213-40	2 1/2																				UC 213-40		
213		65	1 1/4	13/16	4 3/8	2 3/4	1 39/64	4 3/4	1 1/16	5 15/16	6 9/16	8 13/16	2 3/4	1 23/32	3 7/16	5 13/32	2.5630	1.0000	1.5630		T 213	15.2	
UCT 215-47	2 15/16		32	21	111	70	41	121	27	150.8	167	224	70	44	87	137	65.1	25.4	39.7				
215		75	1 1/4	13/16	4 3/8	2 3/4	1 39/64	4 3/4	1 1/16	5 15/16	6 9/16	8 13/16	2 3/4	1 17/8	3 5/8	5 1/2	3.0630	1.3110	1.7520		T 215	15.9	
215-48	3		32	21	111	70	41	121	27	150.8	167	232	70	48	92	140	77.8	33.3	44.5				

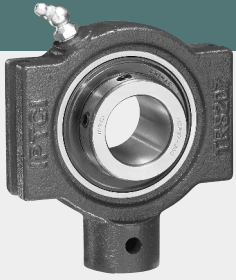
Interchange Page 47

STANDARD PRODUCTS





# UCTRS Take Up Units



## Narrow slot, standard duty with set screw lock.

- Cast iron housing
- Wide inner race bearing

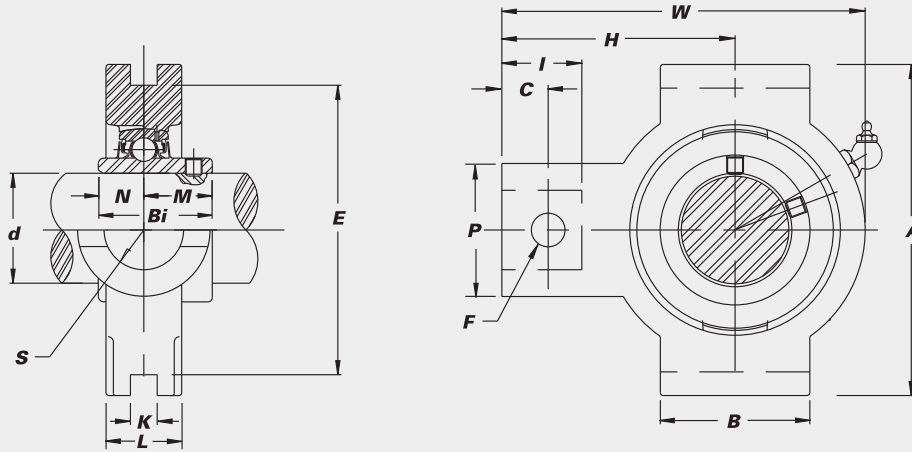
- B-type seals
- L3-type seals available in some sizes



B-type Seal



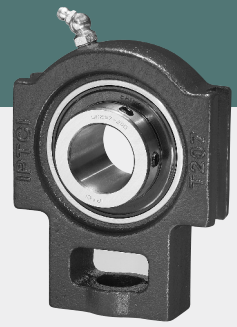
L3-type Seal



STANDARD PRODUCTS

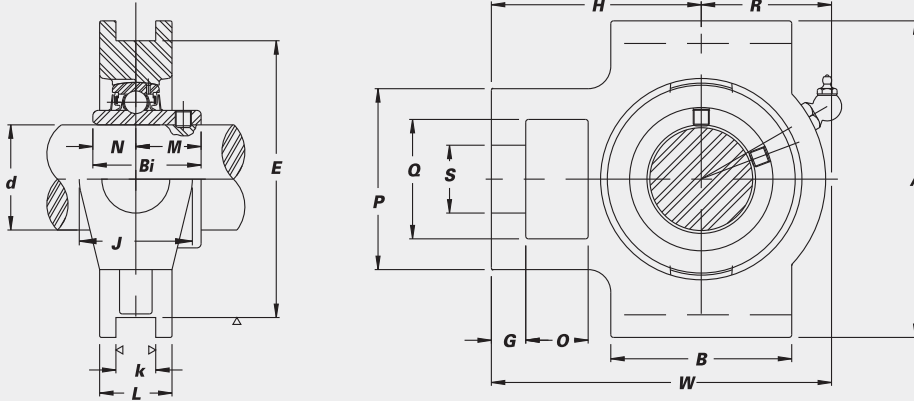
Unit No.	Shaft Dia.		Dimensions (in./mm)														Bearing No.	Housing No.	Weight (lbs.)	
	d (in.)	d (mm)	I	C	P	S	B	k	E	A	W	L	F	H	Bi	N				M
UCTRS 201		12																UC 201		
201-8	1/2																	201-8		
202		15																202		
202-10	5/8		7/8	7/16	1 3/8	3/4	1 1/2	1/4	2 5/8	3 1/8	3 1/2	3/4	5/16	2 3/16	1.2205	0.5000	0.7205	202-10	TRS 204	1.7
203		17																203		
204-12	3/4																	204-12		
204		20																204		
UCTRS 205-14	7/8																	UC 205-14		
205-15	15/16																	205-15		
205		25	7/8	7/16	1 3/8	3/4	1 1/2	1/4	2 5/8	3 1/8	3 9/16	7/8	5/16	2 3/16	1.3386	0.5630	0.7756	205	TRS 205	1.9
205-16	1																	205-16		
UCTRS 206-17	1 1/16																	UC 206-17		
206-18	1 1/8																	206-18		
206		30	15/16	1/2	1 3/8	7/8	2 1/2	5/16	3 1/2	4 1/8	4 5/16	15/16	5/16	2 11/16	1.5000	0.6260	0.8740	206	TRS 206	2.9
206-19	1 3/16																	206-19		
206-20	1 1/4 S																	206-20		
UCTRS 207-20	1 1/4																	UC 207-20		
207-21	1 5/16																	207-21		
207-22	1 3/8																	207-22		
207		35	15/16	1/2	1 3/8	7/8	2 1/2	5/16	3 1/2	4 1/8	4 1/2	1	5/16	2 11/16	1.6890	0.6890	1.0000	207	TRS 207	3.5
207-23	1 7/16																	207-23		
UCTRS 208-24	1 1/2																	UC 208-24		
208-25	1 9/16																	208-25		
208		40	1 5/32	2 1/32	1 5/8	1 1/8	3	5/16	4	4 3/4	5 3/8	1 3/16	3/8	3 1/4	1.9370	0.7480	1.1890	208	TRS 208	5.5

# UCTX Take Up Units



## Wide slot, medium duty with set screw lock.

- Wide inner race bearing with greater load carrying capacity than standard duty
- Cast iron housing
- B-type seals
- L3-type seals available in some sizes



Unit No.	Shaft Dia.		Dimensions (in.) (mm)															Bearing No.	Housing No.	Weight (lbs.)		
	d		O	G	P	Q	S	B	K	E	A	W	J	L	R	H	Bi				N	M
	(in.)	(mm)																				
UCT X05-14 X05-15 X05	7/8 15/16	25	5/8	13/32	27/32	115/32	55/64	21/4	17/32	31/2	41/32	47/16	115/32	13/32	111/16	29/4	1.5000	0.6260	0.8740	UC X05-14 X05-15 X05-16	T 206	3.1
UCT X06-18 X06 X06-19 X06-20	11/8 13/16 11/4	30	5/8	1/2	27/32	115/32	55/64	27/32	17/32	31/2	41/32	53/32	115/32	13/16	2	31/16	1.6890	0.6890	1.0000	UC X06-18 X06 X06-19 X06-20	T 207	3.7
UCT X07-22 X07 X07-23	13/8 17/16	35	3/4	5/8	33/32	115/16	19/64	33/32	11/16	4	41/2	527/32	115/16	15/16	27/32	315/32	1.9370	0.7480	1.1890	UC X07-22 X07 X07-23	T 208	5.9
UCT X08-24 X08	11/2	40	3/4	5/8	33/32	115/16	19/64	33/32	11/16	4	419/32	527/32	115/16	13/8	21/4	37/16	1.9370	0.7480	1.1890	UC X08-24 X08	T 209	6.1
UCT X09-26 X09-27 X09-28 X09	15/8 111/16 13/4	45	3/4	5/8	33/32	115/16	19/64	33/8	11/16	4	419/32	57/8	115/16	15/32	25/16	37/32	2.0315	0.7480	1.2835	UC X09-26 X09-27 X09-28 X09	T 210	6.4
UCT X10-30 X10-31 X10 X10-32	17/8 115/16	50	1	3/4	41/32	217/32	13/8	33/4	11/16	51/8	53/4	623/32	217/32	11/2	29/16	43/16	2.1890	0.8740	1.3150	UC X10-30 X10-31 X10 X10-32	T 211	9.7
UCT X11-34 X11 X11-35 X11-36	21/8 23/16 21/4	55	11/4	3/4	41/32	217/32	13/8	41/32	11/16	51/8	53/4	73/8	217/32	121/32	215/16	411/16	2.5630	1.0000	1.5630	UC X11-34 X11 X11-35 X11-36	T 212	11.7
UCT X12 X12-38 X12-39	23/8 27/16	60	11/4	13/16	43/8	23/4	139/64	43/4	11/16	515/16	69/16	819/16	29/4	123/32	37/16	513/32	2.5630	1.0000	1.5630	UC X12 X12-38 X12-39	T 213	16.3
UCT X13-40 X13	21/2	65	11/4	13/16	43/8	23/4	139/64	43/4	11/16	515/16	69/16	819/16	29/4	113/16	37/16	513/32	2.9370	1.1890	1.7480	UC X13-40 X13	T 214	16.7
UCT X14-43 X14-44 X14	211/16 23/4	70	11/4	13/16	43/8	23/4	139/64	43/4	11/16	515/16	69/16	91/8	29/4	17/8	35/8	51/2	3.0630	1.3110	1.7520	UC X14-43 X14-44 X14	T 215	17.4
UCT X15-47 X15 X15-48	215/16 3	75	11/4	13/16	43/8	23/4	139/64	43/4	11/16	61/2	71/4	91/4	29/4	2	33/4	51/2	3.2520	1.3110	1.9410	UC X15-47 X15 X15-48	TX15	19.1
UCT X17 X17-55 X17-56	37/16 31/2	85	11/2	13/32	47/8	27/8	157/64	69/16	13/32	613/16	725/32	101/4	27/8	21/8	327/32	63/8	3.7795	1.5630	2.2165	UC X17 X17-55 X17-56	TX17	25.7

Interchange Page 47

STANDARD PRODUCTS

# UC & UCW Bearing Inserts



Standard duty with set screw lock.

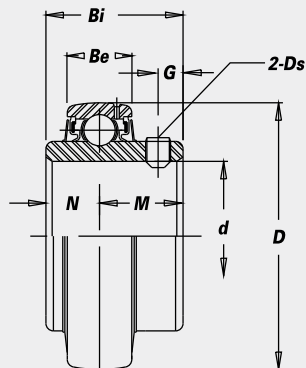
- Wide inner race
- B-type or L3-type seals



B-type Seal



L3-type Seal



Bearing No.	Bore Dia. of Bearing		Dimensions (in. / mm)							Basic Load Rating (lbs.)	Basic Static Load Rating (lbs.)	Weight (lbs.)
	d (in.)	d (mm)	D	Bi	Be	N	M	G	Ds (in.)			
UCW 201		12										0.26
201-8	1/2											0.26
202		15	1.5748	1.0236	0.5906	0.3937	0.6299	0.1575	10-32UNF	2,040	1,020	0.24
202-10	5/8		40.0	26.0	15.0	10.0	16.0	4.0				0.24
203		17										0.22
UC 201		12										0.46
201-8	1/2											0.46
202		15	1.8504	1.2205	0.6299	0.5000	0.7205	0.1969	1/4-28UNF	2,740	1,600	0.42
202-10	5/8		47.0	31.0	16.0	12.7	18.3	5.0				0.42
203		17										0.40
204-12	3/4											0.35
204		20										0.35
UC 205-14	7/8											0.51
205-15	15/16		2.0472	1.3386	0.6693	0.5630	0.7756	0.2165	1/4-28UNF	3,010	1,750	0.46
205		25	52.0	34.0	17.0	14.3	19.7	5.5				0.44
205-16	1											0.44
UC 206-17	1 1/16											0.81
206-18	1 1/8		2.4409	1.5000	0.7480	0.6260	0.8740	0.2362	1/4-28UNF	4,200	2,430	0.75
206		30	62.0	38.1	19.0	15.9	22.2	6.0				0.71
206-19	1 3/16											0.71
206-20	1 1/4 S											0.71
UC 207-20	1 1/4											1.19
207-21	1 3/16		2.8346	1.6890	0.7874	0.6890	1.0000	0.2559	5/16-24UNF	5,535	3,340	1.12
207-22	1 3/8		72.0	42.9	20.0	17.5	25.4	6.5				1.06
207		35										1.06
207-23	1 7/16											0.99
UC 208-24	1 1/2											1.50
208-25	1 9/16		3.1496	1.9370	0.8268	0.7480	1.1890	0.3150	5/16-24UNF	6,375	3,960	1.43
208		40	80.0	49.2	21.0	19.0	30.2	8.0				1.41
UC 209-26	1 5/8											1.72
209-27	1 11/16		3.3465	1.9370	0.8661	0.7480	1.1890	0.3150	5/16-24UNF	7,110	4,460	1.63
209-28	1 3/4		85.0	49.2	22.0	19.0	30.2	8.0				1.54
209		45										1.50
UC 210-30	1 7/8											1.92
210-31	1 15/16		3.5433	2.0315	0.9449	0.7480	1.2835	0.3543	3/8-24UNF	7,400	4,910	1.81
210		50	90.0	51.6	24.0	19.0	32.6	9.0				1.76
210-32	2 S											1.66
UC 211-32	2											2.78
211-34	2 1/8		3.9370	2.1890	0.9843	0.8740	1.3150	0.3543	3/8-24UNF	9,490	6,440	2.54
211		55	100.0	55.6	25.0	22.2	33.4	9.0				2.45
211-35	2 3/16											2.40
UC 212-36	2 1/4											3.68
212		60	4.3307	2.5630	1.0630	1.0000	1.5630	0.4134	3/8-24UNF	11,500	7,940	3.40
212-38	2 3/8		110.0	65.1	27.0	25.4	39.7	10.5				3.34
212-39	2 7/16											3.20
UC 213-40	2 1/2											4.28
213		65	4.7244	2.5630	1.1024	1.0000	1.5630	0.4724	1/2-20UNF	12,400	8,760	4.10
			120.0	65.1	28.0	25.4	39.7	12.0				4.28
UC 214-43	2 11/16											4.60
214-44	2 3/4		4.9210	2.9370	1.1811	1.1890	1.7480	0.4724	1/2-20UNF	13,530	9,620	4.54
214		70	125.0	74.6	30.0	30.2	44.4	12.0				4.52
UC 215-47	2 15/16											5.02
215		75	5.1181	3.0630	1.2598	1.3110	1.7520	0.4724	1/2-20UNF	14,620	10,540	4.87
215-48	3		130.0	77.8	32.0	33.3	44.5	12.0				4.67
UC 216		80	5.5118	3.2520	1.2992	1.3110	1.9410	0.5512	1/2-20UNF	16,000	11,700	6.15
			140	82.6	33	33.3	49.3	14				6.15
UC 218-56	3 1/2											9.83
218		90	6.2992	3.7795	1.4961	1.5630	2.2165	0.5906	1/2-20UNF	21,120	15,700	9.59
			160.0	96.0	38.0	39.7	56.3	15.0				9.59

# NA & NAW Bearing Inserts



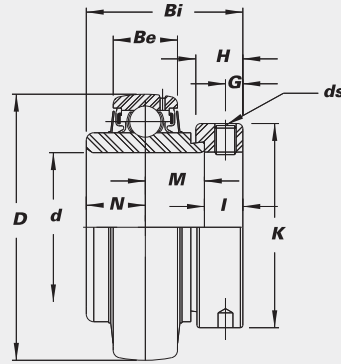
B-type Seal



L3-type Seal

## Standard duty with eccentric locking collar.

- Wide inner race
- B-type or L3-type seals



Bearing No.	Bore Dia. of Bearing		Dimensions (in.) (mm)									Basic Load Rating (lbs.)	Basic Static Load Rating (lbs.)	Weight (lbs.)		
	<i>d</i>	<i>d</i>	<i>D</i>	<i>Bi</i>	<i>Be</i>	<i>N</i>	<i>M</i>	<i>I</i>	<i>K</i>	<i>H</i>	<i>G</i>				<i>ds</i>	
NAW 201		12														0.35
201-8	1/2															0.35
202		15	1.5748	1.4685	0.5906	0.5472	0.5472	0.3740	1.1260	0.5315	0.1890	1/4 -28UNF	2,040	1,020		0.31
202-10	5/8		40.0	37.3	15.0	13.9	13.9	9.5	28.6	13.5	4.8					0.31
203		17														0.29
NA 201		12														0.64
201-8	1/2															0.62
202		15	1.8504	1.7126	0.6299	0.6693	0.6693	0.3740	1.3110	0.5315	0.1890	1/4 -28UNF	2,740	1,600		0.60
202-10	5/8		47.0	43.5	16.0	17.0	17.0	9.5	33.3	13.5	4.8					0.57
203		17														0.55
204-12	3/4															0.51
204		20														0.49
NA 205-14	7/8															0.64
205-15	15/16		2.0472	1.7441	0.6693	0.6850	0.6850	0.3740	1.5000	0.5315	0.1890	1/4 -28UNF	3,010	1,750		0.60
205		25	52.0	44.3	17.0	17.4	17.4	9.5	38.1	13.5	4.8					0.55
205-16	1															0.55
NA 206-17	1 1/16															0.99
206-18	1 1/8		2.4409	1.9016	0.7480	0.7165	0.7165	0.4685	1.7520	0.6260	0.2362	5/16 -24UNF	4,200	2,430		0.95
206		30	62.0	48.3	19.0	18.2	18.2	11.9	44.5	15.9	6.0					0.90
206-19	1 3/16															0.90
206-20	1 1/4 S															0.84
NA 207-20	1/4															1.50
207-21	15/16		2.8346	2.0118	0.7874	0.7402	0.7402	0.5315	2.1890	0.6890	0.2677	5/16 -24UNF	5,535	3,340		1.43
207-22	1 3/8		72.0	51.1	20.0	18.8	18.8	13.5	55.6	17.5	6.8					1.34
207		35														1.34
207-23	1 7/16															1.28
NA 208-24	1 1/2		3.1496	2.2165	0.8268	0.8425	0.8425	0.5315	2.3740	0.7205	0.2677	5/16 -24UNF	6,375	3,960		1.83
208-25	1 9/16		80.0	56.3	21.0	21.4	21.4	13.5	60.3	18.3	6.8					1.77
208		40														1.72
NA 209-26	1 5/8		3.3465	2.2165	0.8661	0.8425	0.8425	0.5315	2.5000	0.7205	0.2677	5/16 -24UNF	7,110	4,460		2.22
209-27	1 11/16		85.0	56.3	22.0	21.4	21.4	13.5	63.5	18.3	6.8					2.01
209-28	1 3/4															1.92
209		45														1.87
NA 210-30	1 7/8		3.5433	2.4685	0.9449	0.9685	0.9685	0.5315	2.7520	0.7205	0.2677	5/16 -24UNF	7,400	4,910		2.38
210-31	1 5/16		90.0	62.7	24.0	24.6	24.6	13.5	69.9	18.3	6.8					2.29
210		50														2.23
210-32	2 S															2.17
NA 211-32	2		3.9370	2.8110	0.9843	1.0906	1.0906	0.6299	3.0000	0.8189	0.3150	3/8 -24UNF	9,490	6,440		3.48
211-34	2 1/8		100.0	71.4	25.0	27.7	27.7	16.0	76.2	20.8	8.0					3.30
211		55														3.06
211-35	2 1/16															3.00
NA 212-36	2 1/4		4.3307	3.0630	1.0630	1.2165	1.2165	0.6299	3.3150	0.8740	0.3150	3/8 -24UNF	11,500	7,490		4.48
212		60	110.0	77.8	27.0	30.9	30.9	16.0	84.2	22.2	8.0					4.12
212-38	2 3/8															4.00
212-39	2 1/2															3.88
NA 213-40	2 1/2		4.7244	3.3740	1.1024	1.3425	1.3425	0.6890	3.3858	0.9252	0.3346	3/8 -24UNF	12,400	8,760		5.53
213		65	120.0	85.7	28.0	34.1	34.1	17.5	86.0	23.5	8.5					5.31
NA 214-44	2 3/4		4.9213	3.3740	1.1811	1.3425	1.3425	0.6890	3.5433	0.9252	0.3346	3/8 -24UNF	13,530	9,620		5.80
214		70	125.0	85.7	30.0	34.1	34.1	17.5	90.0	23.5	8.5					5.67
NA 215-47	2 5/16		5.1181	3.6260	1.2598	1.4685	1.4685	0.6890	4.0157	0.9252	0.3346	3/8 -24UNF	14,620	10,540		6.26
215		75	130.0	92.1	32.0	37.3	37.3	17.5	102.0	23.5	8.5					6.04
215-48	3															5.84

STANDARD PRODUCTS

# UCX Bearing Inserts



## Medium duty with set screw lock.

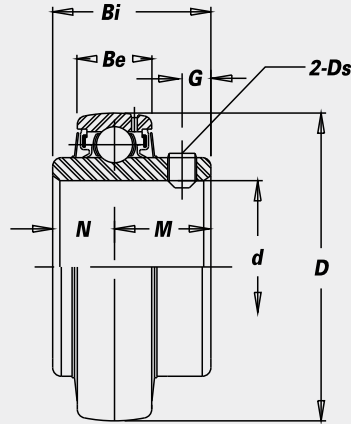
- Wide inner race with greater load carrying capacity than UC insert
- B-type seals  
L3-type seals available in some sizes



B-type Seal



L3-type Seal



Bearing No.	Bore Dia. of Bearing		Dimensions (in.) (mm)							Basic Load Rating (lbs.)	Basic Static Load Rating (lbs.)	Weight (lbs.)
	<i>d</i>	<i>d</i>	<i>D</i>	<i>Bi</i>	<i>Be</i>	<i>N</i>	<i>M</i>	<i>G</i>	<i>Ds</i>			
UC X05-14	7/8	25	2.4409	1.5000	0.7480	0.6260	0.8740	0.2362	1/4-28UNF	4,200	2,430	0.93
X05-15	15/16											
X05												
X05-16	1											
UC X06-18	1 1/8	30	2.8346	1.6890	0.7874	0.6890	1.0000	0.2559	5/16-24UNF	5,535	3,340	1.35
X06												
X06-19 X06-20	1 3/16 1 1/4											
UC X07-22	1 3/8	35	3.1496	1.9370	0.8268	0.7480	1.1890	0.3150	5/16-24UNF	6,375	3,960	1.65
X07												
X07-23	1 7/16											
UC X08-24	1 1/2	40	3.3465	1.9370	0.8661	0.7480	1.1890	0.3150	5/16-24UNF	7,110	4,460	1.92
X08												
UC X09-26	1 5/8	45	3.5433	2.0315	0.9449	0.7480	1.2835	0.3543	3/8-24UNF	7,400	4,910	2.36
X09-27	1 11/16											
X09-28	1 3/4											
X09												
UC X10-30	1 7/8	50	3.9370	2.1890	0.9843	0.8740	1.3150	0.3543	3/8-24UNF	9,490	6,440	3.00
X10-31	1 15/16											
X10												
X10-32	2											
UC X11-34	2 1/8	55	4.3307	2.5630	1.0630	1.0000	1.5630	0.4134	3/8-24UNF	11,500	7,940	4.12
X11												
X11-35	2 3/16											
X11-36	2 1/4											
UC X12	2 1/2	60	4.7244	2.5630	1.1024	1.0000	1.5630	0.4724	1/2-20UNF	12,400	8,760	4.52
X12-38	2 3/8											
X12-39	2 7/16											
UC X13-40	2 1/2	65	4.9213	2.9370	1.1811	1.1890	1.7480	0.4724	1/2-20UNF	13,530	9,620	4.75
X13												
UC X14-43	2 11/16	70	5.1181	3.0630	1.2598	1.3110	1.7520	0.4724	1/2-20UNF	14,620	10,540	6.06
X14												
UC X15-47	2 15/16	75	5.5118	3.2520	1.2992	1.3110	1.9410	0.5512	1/2-20UNF	16,000	11,700	7.77
X15												
X15-48	3											
UC X17	3 1/16	85	6.2992	3.7795	1.4961	1.5630	2.2165	0.5906	1/2-20UNF	21,120	15,800	11.1
X17-55												
X17-56	3 1/2											
UC X20	3 15/16	100	7.4803	4.6260	1.6929	1.9370	2.6890	0.7087	5/8-18UNF	29,300	23,100	18.9
X20-63												
X20-64	4											



# SB & CSB Bearing Inserts

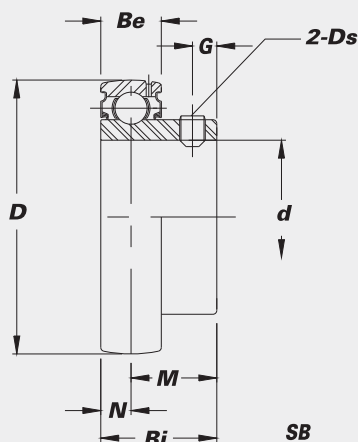


- Set screw lock
- Available relubricatable or non-relubricatable
- Narrow inner race

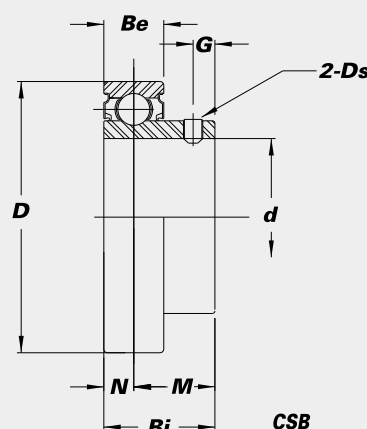
- K-type seals
- Spherical (SB) and cylindrical (CSB)



K-type Seal



SB



CSB

Bearing No.	Bore Dia. of Bearing		Dimensions (in.) (mm)							Basic Load Rating (lbs.)	Basic Static Load Rating (lbs.)	Weight (lbs.)
	d (in.)	d (mm)	Be	D	Bi	N	M	G	Ds			

## SB<sub>G</sub> Relubricatable Inserts

SB 201G		12											
201-8G	1/2	12	0.4724	1.5748	0.8661	0.2362	0.6299	0.1575		10-32UNF	2,040	1,020	0.22
202G		15	12.0	40.0	22.0	6.0	16.0	4.0					
202-10G	5/8	15	12.0	40.0	22.0	6.0	16.0	4.0					
203G		17											
SB 204-12G	3/4	20	0.5512	1.8504	0.9843	0.2756	0.7087	0.1969		1/4-28UNF	2,740	1,600	0.33
204G		20	14.0	47.0	25.0	7.0	18.0	5.0					
SB 205-14G	7/8	25	0.5906	2.0472	1.0630	0.2953	0.7677	0.2165		1/4-28UNF	3,010	1,750	0.40
205-15G	15/16	25	15.0	52.0	27.0	7.5	19.5	5.5					
205G		25	15.0	52.0	27.0	7.5	19.5	5.5					
205-16G	1	25	15.0	52.0	27.0	7.5	19.5	5.5					
SB 206-17G	1 1/16	30	0.7087	2.4409	1.1811	0.3150	0.8661	0.2362		1/4-28UNF	4,200	2,430	0.68
206-18G	1 1/8	30	18.0	62.0	30.0	8.0	22.0	6.0					
206G		30	18.0	62.0	30.0	8.0	22.0	6.0					
206-19G	1 3/16	35	0.7480	2.8346	1.2992	0.3740	0.9252	0.2362		5/16-24UNF	5,535	3,340	1.06
206-20G	1 1/4	35	19.0	72.0	33.0	9.5	23.5	6.0					
207G		35	19.0	72.0	33.0	9.5	23.5	6.0					
207-23G	1 7/16	35	19.0	72.0	33.0	9.5	23.5	6.0					
SB 208-24G	1 1/2	40	0.8661	3.1496	1.4173	0.4331	0.9843	0.3150		5/16-24UNF	6,375	3,960	1.51
208-25G	1 9/16	40	22.0	80.0	36.0	11.0	25.0	8.0					
208G		40	22.0	80.0	36.0	11.0	25.0	8.0					

## SB<sub>N</sub> and CSB Non-Relubricatable Inserts

SB 201N		12											
201-8N	1/2	12	0.4724	1.5748	0.8661	0.2362	0.6299	0.1575		10-32UNF	2,040	1,020	0.22
202N		15	12.0	40.0	22.0	6.0	16.0	4.0					
202-10N	5/8	15	12.0	40.0	22.0	6.0	16.0	4.0					
203N		17											
SB 204-12N	3/4	20	0.5512	1.8504	0.9843	0.2756	0.7087	0.1969		1/4-28UNF	2,740	1,600	0.33
204N		20	14.0	47.0	25.0	7.0	18.0	5.0					
SB 205-14N	7/8	25	0.5906	2.0472	1.0630	0.2953	0.7677	0.2165		1/4-28UNF	3,010	1,750	0.40
205-15N	15/16	25	15.0	52.0	27.0	7.5	19.5	5.5					
205N		25	15.0	52.0	27.0	7.5	19.5	5.5					
205-16N	1	25	15.0	52.0	27.0	7.5	19.5	5.5					
SB 206-17N	1 1/16	30	0.6299	2.4409	1.1417	0.3150	0.8267	0.2362		1/4-28UNF	4,200	2,430	0.60
206-18N	1 1/8	30	16.0	62.0	29.0	8.0	21.0	6.0					
206N		30	16.0	62.0	29.0	8.0	21.0	6.0					
206-19N	1 3/16	35	0.6693	2.8346	1.2598	0.3346	0.9252	0.2362		5/16-24UNF	5,535	3,340	0.93
206-20N	1 1/4	35	17.0	72.0	32.0	8.5	23.5	6.0					
207N		35	17.0	72.0	32.0	8.5	23.5	6.0					
207-23N	1 7/16	35	17.0	72.0	32.0	8.5	23.5	6.0					
SB 208-24N	1 1/2	40	0.7087	3.1496	1.3386	0.3543	0.9843	0.3150		5/16-24UNF	6,375	3,960	1.32
208N		40	18.0	80.0	34.0	9.0	25.0	8.0					

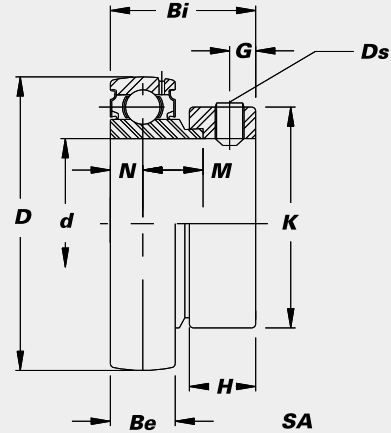
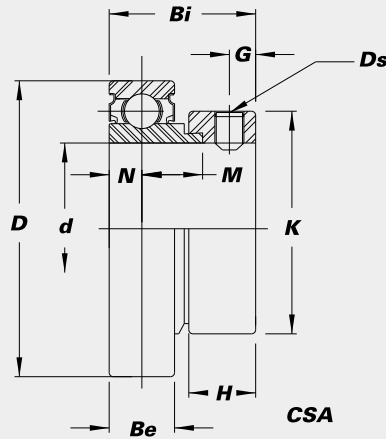
# SA & CSA Bearing Inserts



K-type Seal

- Eccentric locking collar
- Narrow inner race
- K-type seals

- Available relubricatable (G) or non-relubricatable (N)
- Spherical (SA) and cylindrical (CSA)



Bearing No.	Bore Dia. of Bearing		Dimensions (in.) (mm)								Basic Load Rating (lbs.)	Basic Static Load Rating (lbs.)	Weight (lbs.)	
	d (in.)	d (mm)	Be	D	Bi	N	M	G	Ds	K				H
SA201		12												
201-8	1/2	15	0.5118	1.5748	1.1260	0.2559	0.4960	0.1890						
202			13.0	40.0	28.6	6.5	12.6	4.8	1/4-28UNF	1.1260	0.5315	2,040	1,020	0.29
202-10	5/8	17												
203														
SA204-12	3/4	20	0.5906	1.8504	1.2205	0.2953	0.5512	0.1890	1/4-28UNF	1.3110	0.5315	2,740	1,600	0.43
204			15.0	47.0	31.0	7.5	14.0	4.8		33.3	13.5			
SA205-14	7/8	25	0.5906	2.0472	1.2205	0.2953	0.5513	0.1890	1/4-28UNF	1.5000	0.5315	3,010	1,750	0.51
205-15	15/16		15.0	52.0	31.0	7.5	14.0	4.8		38.1	13.5			
205														
205-16	1													
SA206-17	1 1/16	30	0.7087	2.4409	1.4055	0.3543	0.5827	0.2362	5/16-24UNF	1.7520	0.6260	4,200	2,430	0.75
206-18	1 1/8		18.0	62.0	35.7	9.0	14.8	6.0		44.5	15.9			
206														
206-19	1 3/16													
206-20	1 1/4S													
SA207-20	1/4	35	0.7480	2.8346	1.5315	0.3740	0.6260	0.2677	5/16-24UNF	2.1890	0.6890	5,535	3,340	1.26
207-21	1 5/16		19.0	72.0	38.9	9.5	15.9	6.8		55.6	17.5			
207-22	1 3/8													
207														
207-23	1 1/16													
SA208-24	1 1/2	40	0.8661	3.1496	1.7205	0.4331	0.7559	0.2677	5/16-24UNF	2.3740	0.7205	6,375	3,960	1.65
208-25	1 9/16		22.0	80.0	43.7	11.0	19.2	6.8		60.3	18.3			
208														
SA209-26	1 5/8	45	0.8661	3.3465	1.7205	0.4331	0.7559	0.2677	5/16-24UNF	2.5000	0.7205	7,110	4,460	1.81
209-27	1 11/16		22.0	85.0	43.7	11.0	19.2	6.8		63.5	18.3			
209-28	1 3/4													
209														
SA210-30	1 7/8	50	0.8661	3.5433	1.7205	0.4331	0.7559	0.2677	5/16-24UNF	2.7520	0.7205	7,400	4,910	1.87
210-31	1 15/16		22.0	90.0	43.7	11.0	19.2	6.8		69.9	18.3			
210														
210-32	2S													
SA211-32	2	55	0.9449	3.9370	1.9055	0.4724	0.8031	0.3150	3/8-24UNF	3.0000	0.8189	9,490	6,440	2.65
211-34	2 1/8		24.0	100.0	48.4	12.0	20.4	8.0		76.2	20.8			
211														
211-35	2 1/16													

STANDARD PRODUCTS



# HUC High Temperature Bearings

IPTCI's high temperature bearing inserts are designed for applications up to 400° F (continuous), 450° F (intermittent). These special insert bearings can be used in any of our gray iron, plated, or stainless housings.

IPTCI's HUC inserts consist of the following:

- Specially heat treated rings.
- C4 Internal Clearance – To accommodate thermal expansion. (See pg. 87 clearance data.)
- Silicone Rubber Seals – Offering excellent long term heat resistance.
- B-type seal configuration for wash down protection.
- High temperature, H-1 food grade grease with operating range of -45° F to +450° F.
- Black oxide finish, for additional corrosion resistance.



B-type Seal

Note: External dimensions of HUC are the same as UC bearing insert shown on page 40.

## HUC bearings are available as follows:

### Bearing Inserts

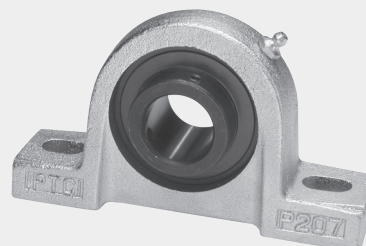
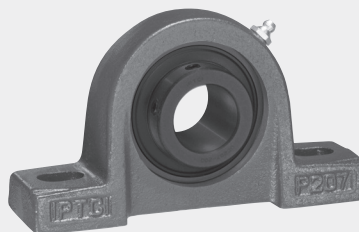
Unit No.	Shaft Dia. (in.)
204	$\frac{3}{4}$
205	$\frac{7}{8}, 1$
206	$1\frac{3}{16}, 1\frac{1}{4}S$
207	$1\frac{1}{4}, 1\frac{3}{8}, 1\frac{7}{16}$
208	$1\frac{1}{2}$
209	$1\frac{11}{16}, 1\frac{3}{4}$
210	$1\frac{5}{16}, 2S$



### Mounted Units

Available in Standard and Corrosion Resistant Products

Unit No.	Shaft Dia. (in.)
204	$\frac{3}{4}$
205	$\frac{7}{8}, 1$
206	$1\frac{3}{16}, 1\frac{1}{4}S$
207	$1\frac{1}{4}, 1\frac{3}{8}, 1\frac{7}{16}$
208	$1\frac{1}{2}$
209	$1\frac{11}{16}, 1\frac{3}{4}$
210	$1\frac{5}{16}, 2S$



# Bearing Unit Interchange

Description	IPTCI	AMI/Asahi	Browning	Dodge	FYH	Fafnir	Hub City	Link Belt	MB/McGill	Peer	Sealmaster
<b>Pillow Blocks</b>	UCP205-16	UCP205-16	VPS-216	P2B-SC-100	UCP205-16	YAS 1	—	P3-U216N	C-25-1	UCP205-16	NP-16
	NAP205-16	UGP205-16	VPE-216	P2B-SXR-100	NAP205-16	RAS 1	—	P3-Y216N	—	HCP205-16	RP-16E
	UCPL205-16	UCLP205-16	VPLS-216	P2B-SCB-100	SL(UCSL)205-16	YAK 1	—	PL3-U216N	CL-25-1	UCLP205-16	NPL-16
	NAPL205-16	UGLP205-16	VPLE-216	P2B-SXRB-100	NAPK205-16	RAK 1	—	PL3-Y216N	—	HCLP205-16	RPL-16E
	SBP205-16G	BP205-16	VPS-116	—	VBP205-16	SAS 1	PB251-1	—	—	FHSP205-16G	VP-16
	SBPL205-16G	BLP205-16	VPLS-116	—	VBSL205-16	SAK 1	PB250-1	—	—	FHSLP205-16G	VPL-16
	SAP205-16G	KHP205-16	VPE-116	P2B-SXV-100	VAP205-16	VAS 1	PB221-1	P3-W216U	—	FHP205-16G	VP-16E
	SAPL205-16G	KHLP205-16	VPLE-116	P2B-SXVB-100	VASL205-16	VAK 1	PB220-1	PL3-W216U	—	FHLP205-16G	VPL-16E
	UCPX05-16	UCPX05-16	VPS-316	P2B-SCM-100	UCPX05-16	—	—	—	C-35-1	UCPX05-16	MP-16
SBLP205-16G	BLLP5-16	—	—	BLP205-16	—	PB100/150-1	—	—	FHSPWC205-16	—	
SALP205-16G	KHLLP205-16	—	—	ALP205-16	—	—	—	—	FHPWC205-16	—	
<b>Tapped Base Pillow Blocks</b>	UCPA205-16	UCTB205-16	VTBS-216	TB-SC-100	UCPAN205-16	YTB 1	—	PT3-U216N	TBC-25-1	UCPA205-16	TB-16
	NAPA205-16	UGTB205-16	VTBE-216	TB-SXR-100	NAPAN205-16	RTB 1	—	PT3-Y216N	—	HCPA205-16	RPB-16
	SBPA205-16G	BTB205-16	VTBS-116	—	VPAN205-16	STB 1	TB250-1	—	—	FHSPA205-16G	—
	SAPA205-16G	KHTB205-16	VTBE-116	TB-SXV-100	VAPAN205-16	VTB 1	—	—	—	FHPA205-16G	—
<b>4-bolt Flanges</b>	UCF205-16	UCF205-16	VF4S-216	F4B-SC-100	UCF205-16	YCJ 1	—	F3-U216N	FC4-25-1	UCF205-16	SF-16
	NANF205-16	UGSLF205-16	VF4E-216	F4B-SXR-100	NANF205-16	RCJ 1	—	F3-Y216N	—	HCFS205-16	RF-16E
	SBF205-16	BF205-16	VF4S-116	—	VBF205-16	SCJ 1	FB250-1	—	—	FHSF205-16G	VF-16
	SAF205-16G	KHF205-16	VF4E-116	F4B-SXV-100	VAF205-16	VCJ 1	FB220-1	F3-W216U	—	FHF205-16G	VF-16E
UCFX05-16	UCFX05-16	VF4S-316	F4B-SCM-100	UCFX05-16	—	—	—	FC4-35-1	UCFX05-16	MSF-16	
<b>3-bolt Flanges</b>	SBRFB205-16G	BTM205-16	VF3S-116	LF-SC-100	—	GSFD 1	FB150-1	—	—	FHSF3X205-16G	LF-16
	SARFB205-16G	KHTM205-16	VF3E-116	LF-SXV-100	—	GVFD 1	—	F-WG216U	—	FHF3X205-16G	LF-16E
<b>2-bolt Flanges</b>	UCFL205-16	UCFT205-16	VF2S-216	F2B-SC-100	UCFL205-16	YCJT 1	—	FX3-U216N	FC2-25-1	UCFT205-16	SFT-16
	NANFL205-16	UGFJT205-16	VF2E-216	F2B-SXR-100	NANFL205-16	RCJT 1	—	FX3-Y216N	—	HCFTS205-16	RFT-16E
	SBFL205-16G	BFT205-16	VF2S-116	—	VBFL205-16	SCJT 1	FB260-1	—	—	FHSFT205-16G	VFT-16
	SAFL205-16G	KHFT205-16	VF2E-116	F2B-SXV-100	VAF205-16	VCJT 1	FB230-1	FX3-W216U	—	FHFT205-16G	VFT-16E
	UCFLX205-16	UCFLX05-16	VF2S-316	F2B-SCM-100	—	—	—	—	FC2-35-1	—	MSFT-16
	SBLF205-16G	BLFL5-16	—	—	BLF205-16	—	—	—	—	FHSLF205-16G	—
	SALF205-16G	KHLFL205-16	—	—	ALF205-16	—	—	—	—	FHLFL205-16G	—
	SBLF205-16GH4	BFX205-16	VF2S-116M	LFT-SC-100	—	GSFTD 1	FB110/160-1	—	—	FHSFX205-16G	LFT-16
SALF205-16GH4	KHFX205-16	VF2E-116M	—	—	GVFTD 1	—	FX-WG216U	—	FHFX205-16G	LFT-16E	
<b>Piloted Flanges</b>	UCFCF205-16	UCFCF205-16	—	—	UCFCF205-16	RFC 1	—	FC3-U216N	—	—	—
	UCFCS205-16	UCFCS205-16	VFCS-216	FC-SC-100	—	—	—	—	PFC4-25-1 1/4	—	SFC-16
	UCFC205-16	UCFC205-16	—	—	UCFC205-16	—	—	—	—	UCFC205-16	—
	UCFCX05-16	UCFCX05-16	VFCS-316	FC-SCM-100	UCFCX05-16	—	FC350-1	—	PFC4-35-1 3/16	—	MFC-16
<b>Flange Brkts</b>	UCFB205-16	UCFB205-16	—	FB-SC-100	UCFB205-16	—	—	FB3-U216N	MFB-1	UCFB205-16	FB-16
<b>Take-up Units</b>	UCT205-16	UCST205-16	VTWS-216	WSTU-SC-100	UCT205-16	YTU 1	WSTU250-1	TH3-U200N	TC-25-1	UCT205-16	ST-16
	UCTRS205-16	—	—	NSTU-SC-100	—	—	—	—	—	—	—
	NAT205-16	UGST205-16	VTWE-216	WSTU-SXR-100	NAT205-16	RTU 1	WSTU220-1	—	—	HCT205-16	RT-16E
	UCTX05-16	UCTX05-16	VTWS-316	WSTU-SCM-100	UCTX05-16	—	—	—	TC-35-1	—	MST-16
<b>Hanger Units</b>	UCHA205-16	UCECH205-16	—	SCHB-SC-100 *zerk	UCHA205-16	RHC 1	—	—	MEHB-1	UCHA205-16	SEHB-16
<b>Insert Bearings</b> <small>(Caution: Some mfrs. locate grease access holes and or anti-rotation devices at different positions.)</small>	UC/UCW205-16	UC205-16	VS-216	INS-SC-100	UC205-16	GY1100KRRB	YW250-1	UG216NL	MB-25-1	UC205-16	2-1
	UC205-16L3	—	—	—	UC205-16L3	GY1100KPPB3	—	UG216E3	—	UC205-16TRL	—
	NA/NAW205-16	UG205-16	VE-216	INS-SXR-100	NA205-16	G1100KRRB	YW220-1	YG216NL	—	HC205-16	R-16E
	NA205-16L3	—	—	—	NA205-16L3	G1100KPPB3	—	YG216E3	—	HC205-16TRL	—
	UCX05-16	UCX05-16	VS-316	INS-SCM-100	UCX05-16	GYM100KRRB	B350-1	—	MB-35-1	UCX05-16	3-1
	ER205-16	SER205-16	VER-216	—	ER205-16	ER-16	—	—	ER-16	SER-16	ER-16
	SB205-16N	B5-16	LS-116	—	SB205-16KG5	YA100RRB	B250-1	S216EL	—	FHS205-16	L-16
	SB205-16G	B5-16	VS-116	INS-VSC-100	SB205-16KP8	GVA100RRB	B250-1	SG216EL	—	FHS205-16	V-16
	CSB205-16N	BR5-16	SLS-116	—	SBB205-16	YA100RR	—	—	—	FHSR205-16	SL-16
	SA205-16N	KH205-16	LE-116	—	SA205-16FP7	RA100RRB	B220-1	W216UL	—	FH205-16	L-16E
SA205-16G	KH205-16	VE-116	INS-SXV-100	SA205-16FP9	GRA100RRB	B220-1	WG216UL	—	FH205-16	V-16E	
CSA205-16N	KHR205-16	SLE-116	—	SAA205-16	RA100RR	—	WB216UL	—	FHR205-16	SL-16E	

(All Shown in 1" size)

# Corrosion Resistant Bearing & Housing Solutions

## Bearing Insert Options

### SUC, SNA, SSB – Stainless Steel

The most common solution for hostile chemical wash down applications, **IPTCI's** stainless inserts are composed of the following:

Balls & Rings	440 Stainless Steel
Set Screws	410 Stainless Steel
Slinger & Seal Frame	302 Stainless Steel
Retainer	302 Stainless Steel
Eccentric Collar (SNA only)	304 Stainless Steel
Seal	Silicone Rubber
Lubrication	H-1 Food Grade Grease
Operating Temp. Range	-10° F to 250° F



### SSER – Stainless Steel ER Style

With the same component composition of SUC, SSER is designed to keep your cylindrical applications turning in corrosive environments. Also see black oxide ER bearings.



### CUC – Hard Chrome Coated

Highly effective for intermediate wash down applications, chrome coated inserts can dramatically extend bearing life beyond that of other plated bearing products. CUC inserts are composed of the following:

Rings	Hard Chrome Coated
Balls	440 Stainless Steel
Set Screws	410 Stainless Steel
Slinger & Seal Frame	302 Stainless Steel
Retainer	302 Stainless Steel*
Seal	Silicone Rubber
Lubrication	H-1 Food Grade Grease
Operating Temp. Range	-10° F to 250° F

\*chrome coated for sizes 213-215



### BUC – Black Oxide

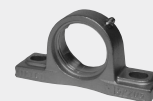
A popular choice for mildly corrosive applications. Also see Black Oxide ER and Black Oxide High Temperature HUC bearings.



## Housing Options

### 304 Stainless Steel

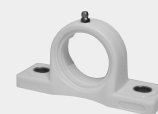
Stainless steel housings are generally the most effective solution for highly corrosive applications. They do not experience the same flaking, cracking, deformation or discoloration issues associated with other corrosion resistant housing materials. They are virtually unaffected by scrapes and can easily handle significant radial loads.



To reduce residual contaminants, **IPTCI** stainless housings are made with extremely smooth surfaces and have solid bases and backs. Many styles are also available with end caps.

### Thermoplastic

Where proven corrosion resistance must be balanced with more favorable economics, **IPTCI's** thermoplastic housings are an excellent choice, and can be assembled with any insert in our catalog.



**IPTCI's** thermoplastic housings are off-white in color and made from glass reinforced PBT resin. Along with excellent chemical resistance, this high performance grade plastic offers very favorable mechanical, thermal and electrical properties. Also, compared with other types of plastics, **IPTCI** thermoplastic is very resistant to moisture absorption. Operating temperature range is -10° F to 210° F.

Like our stainless steel housings, **IPTCI** thermoplastic housings are made with extremely smooth surfaces and have solid bases and backs. All sleeves, bushings and grease fittings used in our thermoplastic units are made from 300 series stainless steel.



### Nickel Plated

Used with stainless, hard chrome coated, or black oxide inserts, **IPTCI's** copper nickel chrome housings are a common choice when the housing requires mild to intermediate corrosion protection.

### End Caps

For additional protection from contamination, or for increased personnel safety, many of **IPTCI's** stainless and thermoplastic housings are available with plastic end caps.

# SUCSP & SNASP Pillow Blocks

## All Stainless Steel

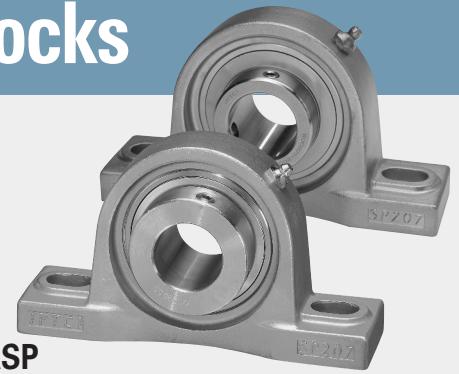


B-type seal available in all styles and sizes.



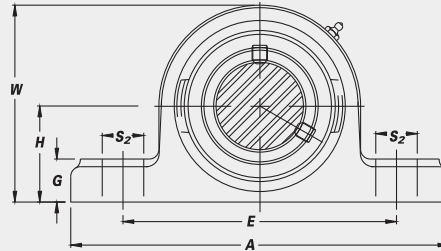
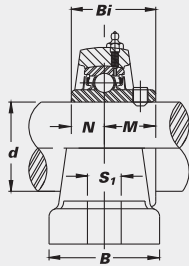
L3-type Seal

L3-type seal available in limited sizes for SUC and SNA. Consult IPTCI for speed limitations.



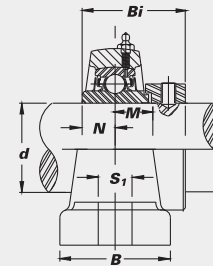
### SUCSP

• Set Screw Locking



### SNASP

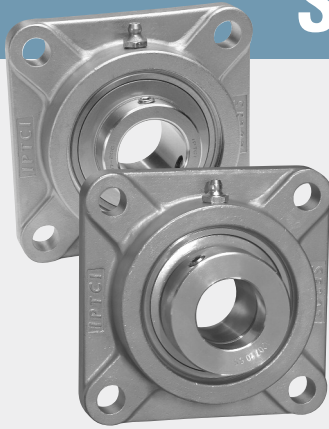
• With Eccentric locking Collar



Unit No.	Shaft Dia.		Dimensions (in. (mm))										Bolt Used (in.)	Bearing No.	Housing No.	Weight (lbs.)	
	d (in.)	d (mm)	H	A	E	B	S <sub>2</sub>	S <sub>1</sub>	G	W	Bi	N					M
<b>SUCSP Set Screw Type</b>																	
SUCSP 201-8	1/2	12.7	5	39	38	19	17	11	15	65	31.0	12.7	18.3	3/8	SUC 201-8	SP 204	1.8
SUCSP 202-10	5/8	31.8	127	95	38	17	11	15	65	31.0	12.7	18.3	3/8	SUC 202-10	SP 204	1.8	
SUCSP 204-12	3/4	19.0	33.3	127	95	38	17	11	15	65	31.0	12.7	18.3	3/8	SUC 204-12	SP 204	1.6
SUCSP 204		20	33.3	127	95	38	17	11	15	65	31.0	12.7	18.3	3/8	SUC 204-12	SP 204	1.6
SUCSP 205-14	7/8	22.2	36.5	139	105	38	17	13	16	70	34.0	14.3	19.7	3/8	SUC 205-14	SP 205	2.1
SUCSP 205		25	36.5	139	105	38	17	13	16	70	34.0	14.3	19.7	3/8	SUC 205-14	SP 205	2.1
SUCSP 205-16	1	25.4	36.5	139	105	38	17	13	16	70	34.0	14.3	19.7	3/8	SUC 205-16	SP 205	2.1
SUCSP 206-18	1 1/8	30.5	42.9	163	121	47	21	14	18	84	38.1	15.9	22.2	1/2	SUC 206-18	SP 206	3.3
SUCSP 206		30	42.9	163	121	47	21	14	18	84	38.1	15.9	22.2	1/2	SUC 206-18	SP 206	3.3
SUCSP 206-19	1 3/16	31.8	42.9	163	121	47	21	14	18	84	38.1	15.9	22.2	1/2	SUC 206-19	SP 206	3.3
SUCSP 206-20	1 1/4 S	31.8	42.9	163	121	47	21	14	18	84	38.1	15.9	22.2	1/2	SUC 206-20	SP 206	3.3
SUCSP 207-20	1 1/4	35	47.6	166	127	48	22	14	19	94	42.9	17.5	25.4	1/2	SUC 207-20	SP 207	4.2
SUCSP 207-21	1 5/16	35	47.6	166	127	48	22	14	19	94	42.9	17.5	25.4	1/2	SUC 207-21	SP 207	4.2
SUCSP 207-22	1 3/8	35	47.6	166	127	48	22	14	19	94	42.9	17.5	25.4	1/2	SUC 207-22	SP 207	4.2
SUCSP 207		35	47.6	166	127	48	22	14	19	94	42.9	17.5	25.4	1/2	SUC 207-22	SP 207	4.2
SUCSP 207-23	1 7/16	35	47.6	166	127	48	22	14	19	94	42.9	17.5	25.4	1/2	SUC 207-23	SP 207	4.2
SUCSP 208-24	1 1/2	40	49.2	184	136	51	22	14	20	100	49.2	19.0	30.2	1/2	SUC 208-24	SP 208	5.4
SUCSP 208		40	49.2	184	136	51	22	14	20	100	49.2	19.0	30.2	1/2	SUC 208-24	SP 208	5.4
SUCSP 209-27	1 11/16	45	54.0	190	146	52	21	15	20	107	49.2	19.0	30.2	1/2	SUC 209-27	SP 209	5.8
SUCSP 209-28	1 3/4	45	54.0	190	146	52	21	15	20	107	49.2	19.0	30.2	1/2	SUC 209-28	SP 209	5.8
SUCSP 209		45	54.0	190	146	52	21	15	20	107	49.2	19.0	30.2	1/2	SUC 209-28	SP 209	5.8
SUCSP 210-31	1 15/16	50	57.2	203	159	59	24	18	22	114	51.6	19.0	32.6	5/8	SUC 210-31	SP 210	7.0
SUCSP 210		50	57.2	203	159	59	24	18	22	114	51.6	19.0	32.6	5/8	SUC 210-31	SP 210	7.0
SUCSP 210-32	2 S	50	57.2	203	159	59	24	18	22	114	51.6	19.0	32.6	5/8	SUC 210-32	SP 210	7.0
SUCSP 211-32	2	50	63.5	217	174	60	24	18	22	125	55.6	22.2	33.4	5/8	SUC 211-32	SP 211	8.8
SUCSP 211-35	2 3/16	50	63.5	217	174	60	24	18	22	125	55.6	22.2	33.4	5/8	SUC 211-35	SP 211	8.8
SUCSP 212-36	2 1/4	50	69.8	240	187	64	25	20	25	137	65.1	25.4	39.7	5/8	SUC 212-36	SP 212	11.2
SUCSP 212-39	2 7/16	50	69.8	240	187	64	25	20	25	137	65.1	25.4	39.7	5/8	SUC 212-39	SP 212	11.2
<b>SNASP Eccentric Locking Collar Type</b>																	
SNASP 204-12	3/4	20	33.3	127	95	38	17	11	15	65	39.2	12.7	17.0	3/8	SNA 204-12	SP 204	1.7
SNASP 204		20	33.3	127	95	38	17	11	15	65	39.2	12.7	17.0	3/8	SNA 204-12	SP 204	1.7
SNASP 205-14	7/8	25	36.5	139	105	38	17	13	16	70	41.2	14.3	17.4	3/8	SNA 205-14	SP 205	2.2
SNASP 205		25	36.5	139	105	38	17	13	16	70	41.2	14.3	17.4	3/8	SNA 205-14	SP 205	2.2
SNASP 205-16	1	25	36.5	139	105	38	17	13	16	70	41.2	14.3	17.4	3/8	SNA 205-16	SP 205	2.2
SNASP 206-18	1 1/8	30	42.9	163	121	47	21	14	18	84	46.0	15.9	18.2	1/2	SNA 206-18	SP 206	3.4
SNASP 206		30	42.9	163	121	47	21	14	18	84	46.0	15.9	18.2	1/2	SNA 206-18	SP 206	3.4
SNASP 206-19	1 3/16	30	42.9	163	121	47	21	14	18	84	46.0	15.9	18.2	1/2	SNA 206-19	SP 206	3.4
SNASP 206-20	1 1/4 S	30	42.9	163	121	47	21	14	18	84	46.0	15.9	18.2	1/2	SNA 206-20	SP 206	3.4
SNASP 207-20	1 1/4	35	47.6	166	127	48	22	14	19	94	49.8	17.5	18.8	1/2	SNA 207-20	SP 207	4.4
SNASP 207-22	1 3/8	35	47.6	166	127	48	22	14	19	94	49.8	17.5	18.8	1/2	SNA 207-22	SP 207	4.4
SNASP 207		35	47.6	166	127	48	22	14	19	94	49.8	17.5	18.8	1/2	SNA 207-22	SP 207	4.4
SNASP 207-23	1 7/16	35	47.6	166	127	48	22	14	19	94	49.8	17.5	18.8	1/2	SNA 207-23	SP 207	4.4
SNASP 208-24	1 1/2	40	49.2	184	136	51	22	14	20	100	53.9	19.0	21.4	1/2	SNA 208-24	SP 208	5.6
SNASP 208		40	49.2	184	136	51	22	14	20	100	53.9	19.0	21.4	1/2	SNA 208-24	SP 208	5.6
SNASP 209-28	1 3/4	45	54.0	190	146	52	21	15	20	107	53.9	19.0	21.4	1/2	SNA 209-28	SP 209	6.1
SNASP 209		45	54.0	190	146	52	21	15	20	107	53.9	19.0	21.4	1/2	SNA 209-28	SP 209	6.1
SNASP 210-31	1 15/16	50	57.2	203	159	59	24	18	22	114	57.1	19.0	24.6	5/8	SNA 210-31	SP 210	7.4
SNASP 210-32	2 S	50	57.2	203	159	59	24	18	22	114	57.1	19.0	24.6	5/8	SNA 210-32	SP 210	7.4

CORROSION RESISTANT

# SUCSF & SNASF 4-Bolt Flange Units



## All Stainless Steel



B-type Seal

B-type seal available in all styles and sizes.



L3-type Seal

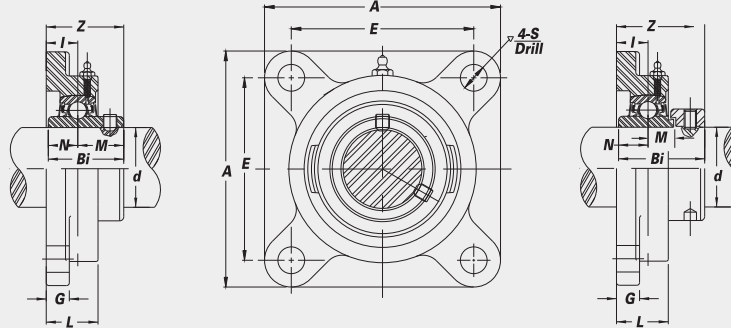
L3-type seal available in limited sizes for SUC and SNA. Consult IPTCI for speed limitations.

## SUCSF

- Set Screw Locking

## SNASF

- With Eccentric Locking Collar



CORROSION RESISTANT

Unit No.	Shaft Dia.		Dimensions (in.) (mm)										Bolt Used (in.)	Bearing No.	Housing No.	Weight (lbs.)
	d (in.)	d (mm)	A	E	I	G	L	S	Z	Bi	N	M				

### SUCSF Set Screw Type

SUCSF 201-8 202-10	1/2 5/8		3 3/8 86	2 1/2 64	1 9/32 15	7/16 11	1 25.4	7/16 11	1 5/16 33.3	1.2205 31.0	0.5000 12.7	0.7205 18.3	3/8	SUC 201-8 202-10	SF 204	1.8
SUCSF 204-12 204	3/4	20	3 3/8 86	2 1/2 64	1 9/32 15	7/16 11	1 25.4	7/16 11	1 5/16 33.3	1.2205 31.0	0.5000 12.7	0.7205 18.3	3/8	SUC 204-12 204	SF 204	1.6
SUCSF 205-14 205 205-16	7/8 1	25	3 3/4 95	2 3/4 70	5/8 16	1/2 13	1 1/16 27	2 9/64 11.5	1 19/32 35.7	1.3386 34.0	0.5630 14.3	0.7756 19.7	3/8	SUC 205-14 205 205-16	SF 205	2.1
SUCSF 206-18 206 206-19 206-20	1 1/8 1 3/16 1 1/4S	30	4 1/4 108	3 1/4 83	4 5/64 18	1/2 13	1 7/32 31	3 3/64 13	1 19/32 40.2	1.5000 38.1	0.6260 15.9	0.8740 22.2	7/16	SUC 206-18 206 206-19 206-20	SF 206	2.9
SUCSF 207-20 207-21 207-22 207 207-23	1 1/4 1 3/16 1 3/8 1 7/16	35	4 19/32 117	3 5/8 92	3/4 19	1 9/32 15	1 11/32 34	3 3/64 13	1 3/4 44.4	1.6890 42.9	0.6890 17.5	1.0000 25.4	7/16	SUC 207-20 207-21 207-22 207 207-23	SF 207	3.8
SUCSF 208-24 208	1 1/2	40	5 1/8 130	4 102	5 3/64 21	1 9/32 15	1 13/32 36	3 5/64 14	2 1/32 51.2	1.9370 49.2	0.7480 19.0	1.1890 30.2	1/2	SUC 208-24 208	SF 208	4.9
SUCSF 209-27 209-28 209	1 11/16 1 3/4	45	5 13/32 137	4 1/8 105	5 5/64 22	5/8 16	1 1/2 38	5/8 16	2 1/16 52.2	1.9370 49.2	0.7480 19.0	1.1890 30.2	9/16	SUC 209-27 209-28 209	SF 209	5.4
SUCSF 210-31 210 210-32	1 15/16 2S	50	5 7/8 143	4 3/8 111	5 5/64 22	5/8 16	1 9/16 40	5/8 16	2 3/32 54.6	2.0315 51.6	0.7480 19.0	1.2835 32.6	9/16	SUC 210-31 210 210-32	SF 210	5.9
SUCSF 211-32 211-35	2 2 3/16		6 3/8 162	5 1/8 130	6 3/64 25	1 13/16 43	1 11/16 47	4 3/64 17	2 5/16 58.4	2.1890 55.6	0.8740 22.2	1.3150 33.4	5/8	SUC 211-32 211-35	SF 211	8.1
SUCSF 212-36 212-39	2 1/4 2 7/16		6 7/8 175	5 5/8 143	6 1/64 29	1 9/64 18	1 23/32 48	4 3/64 17	2 23/32 68.7	2.5630 65.1	1.0000 25.4	1.5630 39.7	5/8	SUC 212-36 212-39	SF 212	10.0

### SNASF Eccentric Locking Collar Type

SNASF 204-12 204	3/4	20	3 3/8 86	2 1/2 64	1 9/32 15	7/16 11	1 25.4	7/16 11	1 5/8 41.5	1.5433 39.2	0.5000 12.7	0.6693 17.0	3/8	SNA 204-12 204	SF 204	1.7
SNASF 205-14 205 205-16	7/8 1	25	3 3/4 95	2 3/4 70	5/8 16	1/2 13	1 1/16 27	2 9/64 11.5	1 11/16 42.9	1.6220 41.2	0.5630 14.3	0.6850 17.4	3/8	SNA 205-14 205 205-16	SF 205	2.2
SNASF 206-18 206 206-19 206-20	1 1/8 1 3/16 1 1/4S	30	4 1/4 108	3 1/4 83	4 5/64 18	1/2 13	1 7/32 31	3 3/64 13	1 57/64 48.1	1.8110 46.0	0.6260 15.9	0.7165 18.2	7/16	SNA 206-18 206 206-19 206-20	SF 206	3.0
SNASF 207-20 207-22 207 207-23	1 1/4 1 3/8 1 7/16	35	4 19/32 117	3 5/8 92	3/4 19	1 9/32 15	1 11/32 34	3 3/64 13	2 1/64 51.3	1.9606 49.8	0.6890 17.5	0.7402 18.8	7/16	SNA 207-20 207-22 207 207-23	SF 207	4.0
SNASF 208-24 208	1 1/2	40	5 1/8 130	4 102	5 3/64 21	1 9/32 15	1 13/32 36	3 5/64 14	2 13/64 55.9	2.1220 53.9	0.7480 19.0	0.8425 21.4	1/2	SNA 208-24 208	SF 208	5.1
SNASF 209-28	1 3/4		5 13/32 137	4 1/8 105	5 5/64 22	5/8 16	1 1/2 38	5/8 16	2 15/64 56.9	2.1220 53.9	0.7480 19.0	0.8425 21.4	9/16	SNA 209-28	SF 209	5.7
SNASF 210-31 210-32	1 15/16 2S		5 7/8 143	4 3/8 111	5 5/64 22	5/8 16	1 9/16 40	5/8 16	2 23/64 60.1	2.2480 57.1	0.7480 19.0	0.9685 24.6	9/16	SNA 210-31 210-32	SF 210	6.3

# SUCSFL & SNASFL 2-Bolt Flange Units

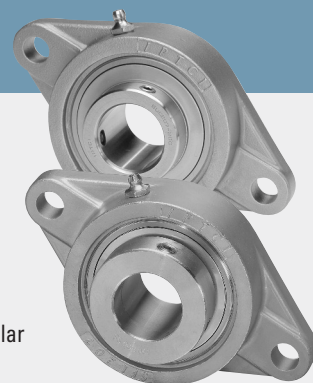
All Stainless Steel



B-type seal available in all styles and sizes.



L3-type seal available in limited sizes for SUC and SNA. Consult IPTCI for speed limitations.

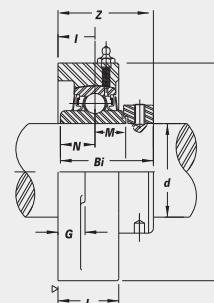
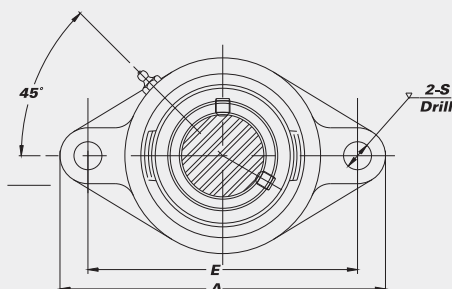
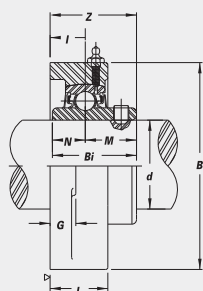


## SUCSFL

• Set Screw Locking

## SNASFL

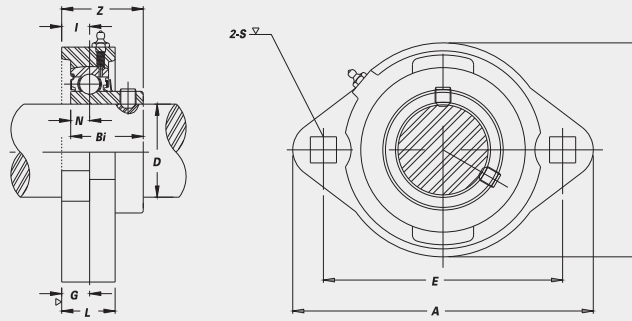
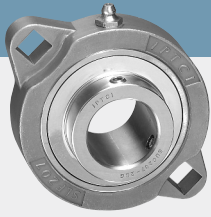
• With Eccentric Locking Collar



Unit No.	Shaft Dia.		Dimensions (in./mm)										Bolt Used (in.)	Bearing No.	Housing No.	Weight (lbs.)												
	d (in.)	d (mm)	A	E	I	G	L	S	B	Z	Bi	N					M											
SUCSFL 201-8 202-10	1/2	37/8	3	19/32	7/16	1 1/16	25/64	23/8	1 5/16	1.2205	0.5000	0.7205	5/16	SUC 201-8 202-10	SFL 203	1.0												
	5/8	99	76.2	15	11	27	10	60	33.3	31.0	12.7	18.3																
SUCSFL 204-8 204-10 204-12 204	1/2	4 15/32	3 17/32	19/32	7/16	1	25/64	23/8	1 5/16	1.2205	0.5000	0.7205	5/16	SUC 201-8 202-10 204-12 204	SFL 204	1.2												
	5/8																114	89.7	15	11	25	10	60	33.3	31.0	12.7	18.3	
	3/4																20											
SUCSFL 205-14 205 205-16	7/8	4 7/8	3 57/64	5/8	1/2	1 1/16	15/32	2 11/16	1 13/32	1.3386	0.5630	0.7756	3/8	SUC 205-14 205 205-16	SFL 205	1.5												
	1	25	124	98.8	16	13	27	11.9	68	35.7	34.0	14.3					19.7											
SUCSFL 206-18 206 206-19 206-20	1 1/8	5 9/16	4 19/32	4 5/64	1/2	1 7/32	15/32	3 3/32	1 19/32	1.5000	0.6260	0.8740	3/8	SUC 206-18 206 206-19 206-20	SFL 206	2.2												
	1 3/16	141	116.7	18	13	31	11.9	80	40.5	38.1	15.9	22.2																
	1 1/4S	30																										
SUCSFL 207-20 207-21 207-22 207 207-23	1 1/4	6 1/8	5 1/8	3/4	9/16	1 11/32	33/64	3 17/32	1 3/4	1.6890	0.6890	1.0000	7/16	SUC 207-20 207-21 207-22 207 207-23	SFL 207	2.9												
	1 5/8																155	130.2	19	14	34	13	90	44.5	42.9	17.5	25.4	
	1 3/8																35											
	1 7/16																											
SUCSFL 208-24 208	1 1/2	6 3/4	5 21/32	53/64	9/16	1 13/32	33/64	3 19/16	2	1.9370	0.7480	1.1890	7/16	SUC 208-24 208	SFL 208	3.7												
SUCSFL 209-27 209-28 209	1 11/16	7 1/16	5 7/32	19/32	1 1/2	38	15	108	2 1/16	1.9370	0.7480	1.1890	1/2	SUC 209-27 209-28 209	SFL 209	4.4												
SUCSFL 210-31 210 210-32	1 15/16	7 7/16	6 3/16	55/64	19/32	1 9/16	19/32	4 17/32	2 5/32	2.0315	0.7480	1.2835	1/2	SUC 210-31 210 210-32	SFL 210	5.1												
SUCSFL 210-32	2S	50	189	157	22	15	40	15	115	54.8	51.6	32.6																
<b>SNASFL Eccentric Locking Collar Type</b>																												
SNASFL 204-12 204	3/4	4 15/32	3 17/32	19/32	7/16	1	25	25/64	23/8	1 5/8	1.5433	0.5000	0.6693	5/16	SNA 204-12 204	SFL 204	1.3											
	20	114	89.7	15	11	25	10	60	41.5	39.2	12.7	17.0																
SNASFL 205-14 205 205-16	7/8	4 7/8	3 57/64	5/8	1/2	1 1/16	15/32	2 11/16	1 11/16	1.6220	0.5630	0.6850	3/8	SNA 205-14 205 205-16	SFL 205	1.6												
	1	25	124	98.8	16	13	27	11.9	68	42.9	41.2	14.3					17.4											
SNASFL 206-18 206 206-19 206-20	1 1/8	5 9/16	4 19/32	4 5/64	1/2	1 7/32	15/32	3 3/32	1 57/64	1.8110	0.6260	0.7165	3/8	SNA 206-18 206 206-19 206-20	SFL 206	2.3												
	1 3/16	141	116.7	18	13	31	11.9	80	48.1	46.0	15.9	18.2																
	1 1/4S	30																										
SNASFL 207-20 207-22 207 207-23	1 1/4	6 1/8	5 1/8	3/4	9/16	1 11/32	33/64	3 17/32	2 1/64	1.9606	0.6890	0.7402	7/16	SNA 207-20 207-22 207 207-23	SFL 207	3.1												
	1 5/8																155	130.2	19	14	34	13	90	51.3	49.8	17.5	18.8	
	1 3/8																35											
	1 7/16																											
SNASFL 208-24 208	1 1/2	6 3/4	5 21/32	53/64	9/16	1 13/32	33/64	3 19/16	2 13/64	2.1220	0.7480	0.8425	7/16	SNA 208-24 208	SFL 208	3.9												
SNASFL 209-28	1 3/4	7 1/16	5 7/32	55/64	19/32	1 1/2	38	15	108	2 15/64	2.1220	0.7480	0.8425	1/2	SNA 209-28	SFL 209	4.7											
SNASFL 210-31 210-32	1 15/16	7 7/16	6 3/16	55/64	19/32	1 9/16	19/32	4 17/32	2 23/64	2.2480	0.7480	0.9685	1/2	SNA 210-31 210-32	SFL 210	5.5												
210-32	2S	50	189	157	22	15	40	15	115	60.1	57.1	24.6																

CORROSION RESISTANT

# SSBSLF & SSBSRFB



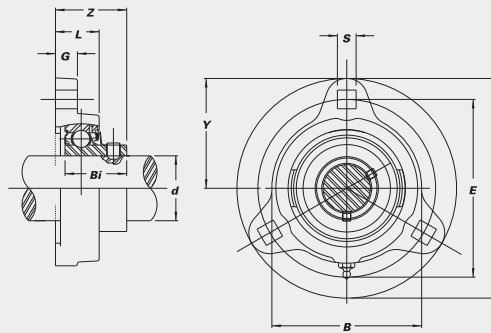
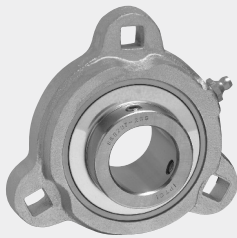
## SSBSLF 2-Bolt Flange Units All Stainless Steel

- Square bolt holes
- K-type seals
- Narrow inner race bearing



CORROSION RESISTANT

Unit No.	Shaft Dia. <i>d</i>		Dimensions (in.) (mm)										Bolt Used (in.)	Bearing No.	Housing No.	Weight (lbs.)
	(in.)	(mm)	<i>A</i>	<i>E</i>	<i>I</i>	<i>G</i>	<i>L</i>	<i>S</i>	<i>B</i>	<i>Z</i>	<i>Bi</i>	<i>N</i>				
SSBSLF 201-8 202-10	1/2 5/8		3 <sup>9</sup> / <sub>16</sub> 81	2 <sup>1</sup> / <sub>2</sub> 63.5	3/8 10	3/8 10	2 <sup>2</sup> / <sub>32</sub> 18	5/16 8	2 <sup>7</sup> / <sub>32</sub> 56	1 25.4	0.8661 22.0	0.2362 6.0	1/4	SSB 201-8 202-10	SLF 203	0.6
SSBSLF 204-12 204	3/4	20	3 <sup>17</sup> / <sub>32</sub> 90	2 <sup>13</sup> / <sub>16</sub> 71.5	7/16 11	7/16 11	2 <sup>5</sup> / <sub>32</sub> 20	2 <sup>5</sup> / <sub>64</sub> 10	2 <sup>13</sup> / <sub>32</sub> 61	1 <sup>5</sup> / <sub>32</sub> 29.0	0.9843 25.0	0.2756 7.0	5/16	SSB 204-12 204	SLF 204	0.7
SSBSLF 205-14 205 205-16	7/8 1	25	3 <sup>3</sup> / <sub>4</sub> 95	2 <sup>63</sup> / <sub>64</sub> 76.0	7/16 11	7/16 11	2 <sup>5</sup> / <sub>32</sub> 20	2 <sup>5</sup> / <sub>64</sub> 10	2 <sup>17</sup> / <sub>32</sub> 64	1 <sup>3</sup> / <sub>16</sub> 30.5	1.0630 27.0	0.2953 7.5	5/16	SSB 205-14 205 205-16	SLF 205	0.9
SSBSLF 206-18 206 206-19 206-20	1 <sup>1</sup> / <sub>8</sub> 1 <sup>3</sup> / <sub>16</sub> 1 <sup>1</sup> / <sub>4</sub> S	30	4 <sup>7</sup> / <sub>16</sub> 113	3 <sup>9</sup> / <sub>16</sub> 90.5	1 <sup>5</sup> / <sub>32</sub> 12	1 <sup>5</sup> / <sub>32</sub> 12	7/8 23	1 <sup>5</sup> / <sub>32</sub> 12	3 76	1 <sup>19</sup> / <sub>64</sub> 33.0	1.1417 29.0	0.3150 8.0	3/8	SSB 206-18 206 206-19 206-20	SLF 206	1.2
SSBSLF 207-20 207-22 207 207-23	1 <sup>1</sup> / <sub>4</sub> 1 <sup>3</sup> / <sub>8</sub> 1 <sup>7</sup> / <sub>16</sub>	35	4 <sup>13</sup> / <sub>16</sub> 122	3 <sup>15</sup> / <sub>16</sub> 100.0	3 <sup>3</sup> / <sub>64</sub> 13	3 <sup>3</sup> / <sub>64</sub> 13	1 <sup>5</sup> / <sub>16</sub> 24	1 <sup>5</sup> / <sub>32</sub> 12	3 <sup>1</sup> / <sub>2</sub> 89	1 <sup>25</sup> / <sub>64</sub> 35.5	1.2598 32.0	0.3346 8.5	3/8	SSB 207-20 207-22 207 207-23	SLF 207	1.7



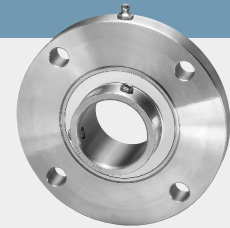
## SSBSRFB 3-Bolt Flange Units All Stainless Steel

- Square bolt holes
- K-type seals
- Narrow inner race bearing



Unit No.	Shaft Dia. <i>d</i>		Dimensions (in.) (mm)										Bolt Used (in.)	Bearing No.	Housing No.	Weight (lbs.)
	(in.)	(mm)	<i>A</i>	<i>E</i>	<i>G</i>	<i>B</i>	<i>L</i>	<i>S</i>	<i>Z</i>	<i>Bi</i>	<i>Y</i>					
SSBSRFB 204-12 204	3/4	20	3 <sup>9</sup> / <sub>16</sub> 90	2 <sup>13</sup> / <sub>16</sub> 71.4	7/16 11	2 <sup>5</sup> / <sub>8</sub> 67	2 <sup>5</sup> / <sub>32</sub> 20	1 <sup>1</sup> / <sub>32</sub> 9	1 <sup>5</sup> / <sub>32</sub> 29.4	0.9843 25.0	1 <sup>25</sup> / <sub>32</sub> 45	5/16	SSB 204-12 204	SRFB 204	.8	
SSBSRFB 205-14 205 205-16	7/8 1	25	3 <sup>3</sup> / <sub>4</sub> 95	3 76.2	7/16 11	2 <sup>7</sup> / <sub>8</sub> 73	2 <sup>5</sup> / <sub>32</sub> 20	1 <sup>1</sup> / <sub>32</sub> 9	1 <sup>7</sup> / <sub>32</sub> 31.0	1.0630 27.0	1 <sup>7</sup> / <sub>8</sub> 48	5/16	SSB 205-14 205 205-16	SRFB 205	.9	
SSBSRFB 206-18 206 206-19 206-20	1 <sup>1</sup> / <sub>8</sub> 1 <sup>3</sup> / <sub>16</sub> 1 <sup>1</sup> / <sub>4</sub> S	30	4 <sup>7</sup> / <sub>16</sub> 113	3 <sup>9</sup> / <sub>16</sub> 90.5	1 <sup>5</sup> / <sub>32</sub> 12	3 76	5 <sup>7</sup> / <sub>64</sub> 23	1 <sup>3</sup> / <sub>32</sub> 10	1 <sup>9</sup> / <sub>32</sub> 32.3	1.1417 29.0	2 <sup>7</sup> / <sub>32</sub> 56	3/8	SSB 206-18 206 206-19 206-20	SRFB 206	1.2	
SSBSRFB 207-20 207-22 207 207-23	1 <sup>1</sup> / <sub>4</sub> 1 <sup>3</sup> / <sub>8</sub> 1 <sup>7</sup> / <sub>16</sub>	35	4 <sup>13</sup> / <sub>16</sub> 122	3 <sup>15</sup> / <sub>16</sub> 100	1/2 13	3 <sup>1</sup> / <sub>2</sub> 89	1 <sup>5</sup> / <sub>16</sub> 24	1 <sup>3</sup> / <sub>32</sub> 10	1 <sup>25</sup> / <sub>64</sub> 35.5	1.2598 32.0	2 <sup>13</sup> / <sub>32</sub> 61	3/8	SSB 207-20 207-22 207 207-23	SRFB 207	1.7	

# SUCSFCS & SUCSFB



## SUCSFCS Piloted Flange Units All Stainless Steel



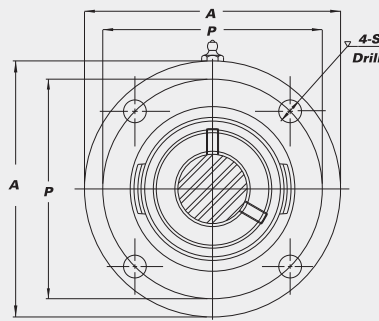
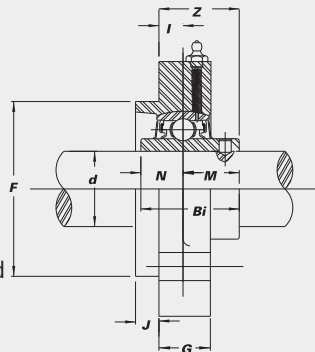
B-type Seal



L3-type Seal

B-type seal available in all styles and sizes.

L3-type seal available in limited sizes for SUC and SNA. Consult IPTCI for speed limitations.



Unit No.	Shaft Dia.		Dimensions (in.) (mm)											Bolt Used (in.)	Bearing No.	Housing No.	Weight (lbs.)
	d (in.)	d (mm)	A	P	S	J	G	F	I	Z	Bi	N	M				
SUCSFCS 206-18	1 1/8	30	4 3/8	3 5/8	3/8	1 5/64	4 9/64	3.000	2 5/64	1 9/32	1.5000	0.6260	0.8740	5/16	SUC 206-18		
206			111	92	9.5	6.0	19.5	76.2	10	32.2	38.1	15.9	22.2		206	SFCS 206	2.7
206-19	1 3/16														206-19		
206-20	1 1/4 S														206-20		
SUCSFCS 207-20	1 1/4														SUC 207-20		
207-21	1 5/16	5	4 1/8	1 5/32	3/8	4 5/64	3.375	5/16	1 5/16	1.6890	0.6890	1.0000	3/8	SUC 207-20			
207-22	1 3/8	35	127	104.8	12.0	9.5	18.0	85.7	8	33.4	42.9	17.5	25.4	3/8	207-22	SFCS 207	3.5
207															207		
207-23	1 7/16														207-23		
SUCSFCS 208-24	1 1/2														SUC 208-24		
208		40	5 1/4	4 3/8	1 5/32	7/16	4 9/64	3.625	2 3/64	1 17/32	1.9370	0.7480	1.1890	3/8	SUC 208-24	SFCS 208	4.4
SUCSFCS 209-27	1 11/16														SUC 209-27		
209-28	1 3/4	45	5 1/4	4 3/8	1 5/32	7/16	2 5/32	3.625	2 3/64	1 17/32	1.9370	0.7480	1.1890	3/8	SUC 209-27	SFCS 209	4.6
209															209-28		
															209		
SUCSFCS 210-31	1 15/16														SUC 210-31		
210		50	6 3/32	5 1/8	3 5/64	1 5/32	2 5/32	4.250	5/16	1 19/32	2.0315	0.7480	1.2835	7/16	SUC 210-31	SFCS 210	6.0
210-32	2 S		155	130	14.0	12.0	20.0	108.0	8	40.6	51.6	19.0	32.6		210-32		

## SUCSFB 3-Bolt Flange Bracket Units All Stainless Steel



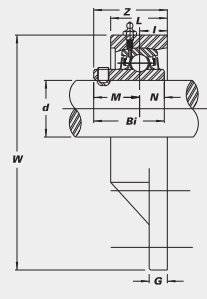
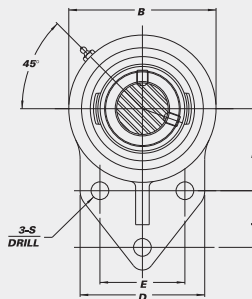
B-type Seal



L3-type Seal

B-type seal available in all styles and sizes.

L3-type seal available in limited sizes for SUC and SNA. Consult IPTCI for speed limitations.

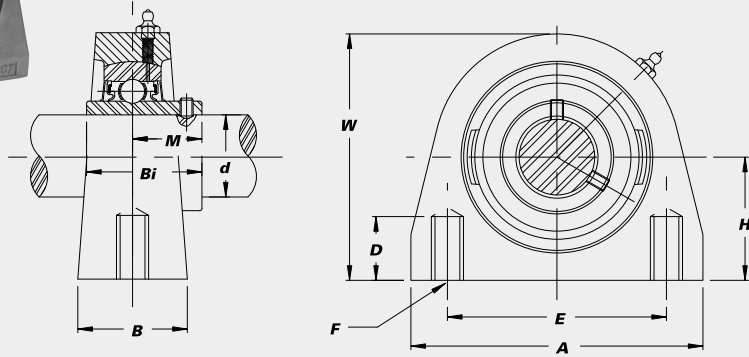
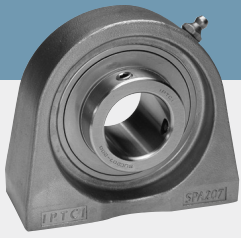


Unit No.	Shaft Dia.		Dimensions (in.) (mm)													Bolt Used (in.)	Bearing No.	Housing No.	Weight (lbs.)	
	d (in.)	d (mm)	W	B	D	L	S	G	H	J	E	I	Z	Bi	N					M
SUCSFB 201-8	1/2	4 1/4	2 1/2	2 3/8	1	2 5/64	5/16	1 11/16	7/8	1 1/2	5/8	1 23/64	1.2205	0.5000	0.7205	5/16	SUC 201-8			
202-10	5/8	108	64	60	25	9.9	8	43.3	22.2	38.1	16	34.3	31.0	12.7	18.3		202-10	SFB 204	1.4	
SUCSFB 204-12	3/4	4 1/4	2 1/2	2 3/8	1	2 5/64	5/16	1 11/16	7/8	1 1/2	5/8	1 23/64	1.2205	0.5000	0.7205	5/16	SUC 204-12			
204		20	108	64	60	25	9.9	8	43.3	22.2	38.1	16	34.3	31.0	12.7	18.3		204	SFB 204	1.3
SUCSFB 205-14	7/8	4 3/4	2 3/4	2 1/2	1 1/8	2 5/64	3/8	1 13/16	1 1/8	1 5/8	2 1/32	1 27/64	1.3386	0.5630	0.7756	5/16	SUC 205-14			
205		25	121	70	64	29	9.9	9.5	46.0	28.6	41.3	16.5	36.2	34.0	14.3	19.7		205-14	SFB 205	1.9
205-16	1																	205-16		
SUCSFB 206-18	1 1/8																	SUC 206-18		
206		30	5 3/8	3 1/4	2 3/4	1 1/4	2 5/64	3/8	2 1/16	1 1/4	1 7/8	4 5/64	1 37/64	1.5000	0.6260	0.8740	5/16	SUC 206-18	SFB 206	2.4
206-19	1 3/16	137	83	70	32	9.9	9.5	52.4	31.8	47.6	18	40.2	38.1	15.9	22.2		206-19			
206-20	1 1/4 S																	206-20		
SUCSFB 207-20	1 1/4																	SUC 207-20		
207-21	1 5/16	6 1/8	3 3/4	3 1/4	1 7/16	3 4/64	1/2	2 3/8	1 1/4	2	5 3/64	1 53/64	1.6890	0.6890	1.0000	7/16	SUC 207-20			
207-22	1 3/8	156	95	83	37	13.1	13	60.3	31.8	50.8	21	46.4	42.9	17.5	25.4		207-22	SFB 207	3.8	
207																		207		
207-23	1 7/16																	207-23		
SUCSFB 210-31	1 15/16																	SUC 210-31		
210		50	7 1/2	4 5/8	4	1 1/2	3 3/64	1/2	2 15/16	1 5/8	2 3/4	5 3/64	2 5/32	2.0315	0.7480	1.2835	7/16	SUC 210-31	SFB 210	6.0
210-32	2 S		191	118	102	38	13.1	13	74.6	41.3	69.9	21	54.6	51.6	19.0	32.6		210-32		

CORROSION RESISTANT



# SUCSPA & SUCSHA



## SUCSPA Tapped Base Units All Stainless Steel

- Set screw locking
- Also available with locking collar



B-type Seal

B-type seal available in all styles and sizes.

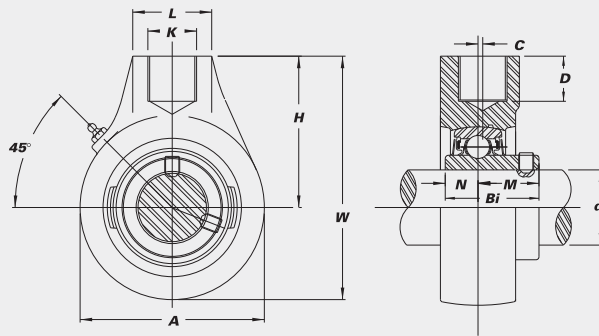


L3-type Seal

L3-type seal available in limited sizes for SUC and SNA. Consult IPTCI for speed limitations.

CORROSION RESISTANT

Unit No.	Shaft Dia.		Dimensions (in.) (mm)									Bearing No.	Housing No.	Weight (lbs.)
	d (in.)	d (mm)	H	A	E	B	W	F-Tapped Holes	D-Min Tap Depth	M	Bi			
SUCSPA 201-8 202-10	1/2 5/8	33.3	15/16 33.3	27/8 73	2 50.8	1 1/2 38	29/16 65	3/8"-16 UNC	1/2 13	0.7205 18.3	1.2205 31.0	SUC 201-8 202-10	SPA 204	1.5
SUCSPA 204-12 204	3/4	20	15/16 33.3	27/8 73	2 50.8	1 1/2 38	29/16 65	3/8"-16 UNC	1/2 13	0.7205 18.3	1.2205 31.0	SUC 204-12 204	SPA 204	1.4
SUCSPA 205-14 205 205-16	7/8 1	25	17/16 36.5	3 76	2 50.8	1 1/2 38	2 13/16 71	3/8"-16 UNC	1/2 13	0.7756 19.7	1.3386 34.0	SUC 205-14 205 205-16	SPA 205	1.8
SUCSPA 206-18 206 206-19 206-20	1 1/8 1 3/16 1 1/4 S	30	1 11/16 42.9	4 102	3 76.2	1 1/2 38	3 3/8 86	7/16"-14 UNC	5/8 16	0.8740 22.2	1.5000 38.1	SUC 206-18 206 206-19 206-20	SPA 206	2.9
SUCSPA 207-20 207-21 207-22 207 207-23	1 1/4 1 5/16 1 3/8 1 7/16	35	1 7/8 47.6	4 1/4 108	3 1/4 82.6	1 7/8 48	3 3/4 95	1/2"-13 UNC	3/4 19	1.0000 25.4	1.6890 42.9	SUC 207-20 207-21 207-22 207 207-23	SPA 207	3.8
SUCSPA 208-24 208	1 1/2	40	1 15/16 49.2	4 5/8 117	3 1/2 88.9	1 7/8 48	3 5/16 100	1/2"-13 UNC	3/4 19	1.1890 30.2	1.9370 49.2	SUC 208-24 208	SPA 208	4.2
SUCSPA 209-27 209-28 209	1 11/16 1 3/4	45	2 1/8 54.0	5 127	3 3/4 95.3	2 51	4 1/4 108	1/2"-13 UNC	3/4 19	1.1890 30.2	1.9370 49.2	SUC 209-27 209-28 209	SPA 209	5.3
SUCSPA 210-31 210 210-32	1 5/16 2S	50	2 1/4 57.2	5 1/2 140	4 101.6	2 51	4 5/8 117	5/8"-11 UNC	7/8 22	1.2835 32.6	2.0315 51.6	SUC 210-31 210 210-32	SPA 210	6.2



## SUCSHA Hanger Units All Stainless Steel



B-type Seal

B-type seal available in all styles and sizes.

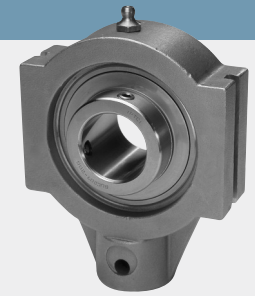


L3-type Seal

L3-type seal available in limited sizes for SUC and SNA. Consult IPTCI for speed limitations.

Unit No.	Shaft Dia.		Dimensions (in.) (mm)										Bearing No.	Housing No.	Weight (lbs.)
	d (in.)	d (mm)	A	W	C	H	L	D	K	Bi	N	M			
SUCSHA 205-14 205 205-16	7/8 1	25	2 3/4 70	3 29/32 99	0	2 29/64 64	1 9/16 40	3/4 19.1	PF 3/4 -14	1.3386 34.0	0.5630 14.3	0.7756 19.7	SUC 205-14 205 205-16	SHA 205	1.6
SUCSHA 206-18 206 206-19 206-20	1 1/8 1 3/16 1 1/4 S	30	3 5/32 80	4 3/32 104	0	2 29/64 64	1 9/16 40	3/4 19.1	PF 3/4 -14	1.5000 38.1	0.6260 15.9	0.8740 22.2	SUC 206-18 206 206-19 206-20	SHA 206	1.9
SUCSHA 207-20 207-21 207-22 207 207-23	1 1/4 1 5/16 1 3/8 1 7/16	35	3 5/8 92	4 9/16 116	0	2 3/4 70	1 9/16 40	3/4 19.1	PF 3/4 -14	1.6890 42.9	0.6890 17.5	1.0000 25.4	SUC 207-20 207-21 207-22 207 207-23	SHA 207	2.6

# SUCSTRS & SUCST Take Up Units



## SUCSTRS • Narrow Slot All Stainless Steel



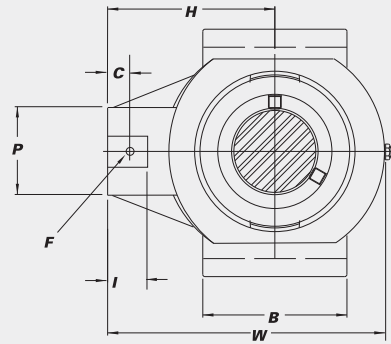
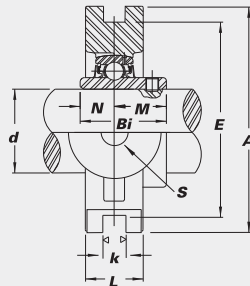
B-type Seal

B-type seal available in all styles and sizes.



L3-type Seal

L3-type seal available in limited sizes for SUC and SNA. Consult IPTCI for speed limitations.



Bearing No.	Shaft Dia. <i>d</i>		Dimensions (in.) (mm)														Bearing No.	Housing No.	Weight (lbs.)	
	(in.)	(mm)	<i>F</i>	<i>C</i>	<i>P</i>	<i>I</i>	<i>S</i>	<i>B</i>	<i>k</i>	<i>E</i>	<i>A</i>	<i>W</i>	<i>L</i>	<i>H</i>	<i>Bi</i>	<i>N</i>				<i>M</i>
SUCSTRS 205-14 205 205-16	7/8 1	25	5/16 7.9	7/16 11.1	13/8 35	7/8 22	25/32 20	127/32 47	1/4 6.4	25/8 66.7	3/8 79	329/32 99	13/32 28	217/32 64	1.3386 34.0	0.5630 14.3	0.7756 19.7	SUC 205-14 205 205-16	STRS 205	2.0
SUCSTRS 206-18 206 206-19 206-20	1 1/8 1 3/16 1 1/4S	30	5/16 7.9	1/2 12.7	1 9/16 40	1 25	25/32 20	2 1/2 64	1/4 6.4	3 1/2 88.9	4 102	4 15/16 125	1 3/8 35	3 76	1.5000 38.1	0.6260 15.9	0.8740 22.2	SUC 206-18 206 206-19 206-20	STRS 206	3.8
SUCSTRS 207-20 207-21 207-22 207 207-23	1 1/4 1 5/16 1 3/8 1 7/16	35	5/16 7.9	1/2 12.7	1 9/16 40	1 25	25/32 20	2 1/2 64	1/4 6.4	3 1/2 88.9	4 102	4 15/16 125	1 3/8 35	3 76	1.6890 42.9	0.6890 17.5	1.0000 25.4	SUC 207-20 207-21 207-22 207 207-23	STRS 207	4.0

## SUCST • Wide Slot All Stainless Steel

- Set screw locking  
Also available with locking collar



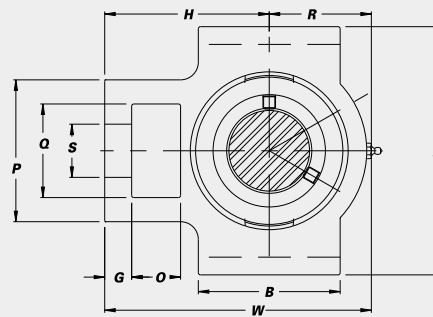
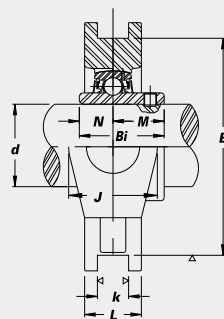
B-type Seal

B-type seal available in all styles and sizes.



L3-type Seal

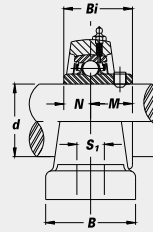
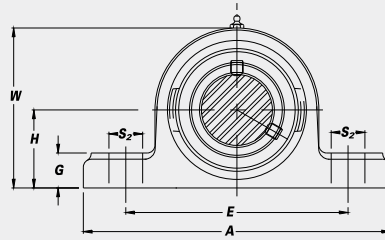
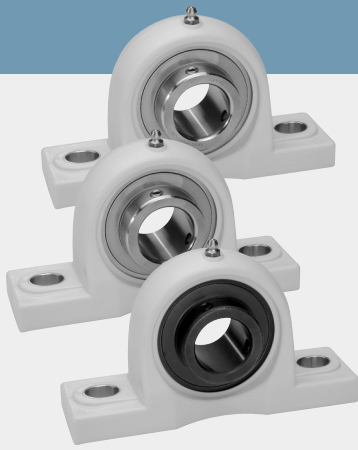
L3-type seal available in limited sizes for SUC and SNA. Consult IPTCI for speed limitations.



Bearing No.	Shaft Dia. <i>d</i>		Dimensions (in.) (mm)														Bearing No.	Housing No.	Weight (lbs.)			
	(in.)	(mm)	<i>O</i>	<i>G</i>	<i>P</i>	<i>Q</i>	<i>S</i>	<i>B</i>	<i>k</i>	<i>E</i>	<i>A</i>	<i>W</i>	<i>J</i>	<i>L</i>	<i>R</i>	<i>H</i>				<i>Bi</i>	<i>N</i>	<i>M</i>
SUCST 205-14 205 205-16	7/8 1	25	5/8 16	13/32 10	2 51	1 1/4 32	3/4 19	2 51	17/32 13.5	3 76.2	3 1/2 89	3 13/16 97	1 1/4 32	1 5/16 24	1 3/8 35	2 1/16 62	1.3386 34.0	0.5630 14.3	0.7756 19.7	SUC 205-14 205 205-16	ST 205	1.9
SUCST 206-18 206 206-19 206-20	1 1/8 1 3/16 1 1/4S	30	5/8 16	13/32 10	2 1/32 56	1 5/32 37	55/64 22	2 1/4 57	17/32 13.5	3 1/2 88.9	4 1/32 102	4 7/16 113	1 5/32 37	1 3/32 28	1 11/16 43	2 3/4 70	1.5000 38.1	0.6260 15.9	0.8740 22.2	SUC 206-18 206 206-19 206-20	ST 206	2.9
SUCST 207-20 207-21 207-22 207 207-23	1 1/4 1 5/16 1 3/8 1 7/16	35	5/8 16	1/2 13	2 17/32 64	1 5/32 37	55/64 22	2 17/32 64	17/32 13.5	3 1/2 88.9	4 1/32 102	5 9/32 129	1 5/32 37	1 3/16 30	2 51	3 1/16 78	1.6890 42.9	0.6890 17.5	1.0000 25.4	SUC 207-20 207-21 207-22 207 207-23	ST 207	3.7
SUCST 208-24 208	1 1/2	40	3/4 19	5/8 16	3 9/32 83	1 5/16 49	1 9/64 29	3 9/32 83	1 1/16 17.5	4 101.6	4 1/2 114	5 21/32 144	1 5/16 49	1 5/16 33	2 1/32 56	3 15/32 88	1.9370 49.2	0.7480 19.0	1.1890 30.2	SUC 208-24 208	ST 208	5.5
SUCST 209-27 209-28 209	1 11/16 1 3/4	45	3/4 19	5/8 16	3 9/32 83	1 5/16 49	1 9/64 29	3 9/32 83	1 1/16 17.5	4 101.6	4 19/32 117	5 21/32 144	1 5/16 49	1 3/8 35	2 1/4 57	3 7/16 87	1.9370 49.2	0.7480 19.0	1.1890 30.2	SUC 209-27 209-28 209	ST 209	5.5
SUCST 210-31 210 210-32	1 15/16 2S	50	3/4 19	5/8 16	3 9/32 83	1 5/16 49	1 9/64 29	3 9/8 86	1 1/16 17.5	4 101.6	4 19/32 117	5 7/8 149	1 5/16 49	1 15/32 37	2 5/16 59	3 17/32 90	2.0315 51.6	0.7480 19.0	1.2835 32.6	SUC 210-31 210 210-32	ST 210	5.7

CORROSION RESISTANT

# Thermoplastic Pillow Blocks



## With Set Screw Lock

Optional bearing inserts:  
**Stainless Steel-SUCTP**  
**Hard Chrome Coated-CUCTP**  
**Black Oxide-BUCTP**

• End Caps Available for all styles.



B-type seal available in all styles and sizes.

L3-type seal available in SUC units only. Limited sizes. Consult IPTCI for speed limitations.

CORROSION RESISTANT

Unit No.	Shaft Dia.		Dimensions (in.) (mm)										Bolt Used (in.)	Bearing No.	Housing No.	Weight (lbs.)
	d (in.)	d (mm)	H	A	E	B	S <sub>2</sub>	S <sub>1</sub>	G	W	Bi	N				

### SUCTP with Stainless Steel Bearing Inserts

SUCTP 201-8	1/2	12.7	1 5/16	5	3 3/4	1 1/2	9/16	7/16	9/16	2 19/32	1.2205	0.5000	0.7205	3/8	SUC 201-8		
202-10	5/8	15.875	33.3	127	95	38	14	11	14	66	31.0	12.7	18.3		202-10	TP 204	.8
204-12	3/4	19.05	20												204-12		
204															204		
SUCTP 205-14	7/8	22.225	25											3/8	SUC 205-14	TP 205	.8
205			36.5	140	105	38	14	11	14	71	34.0	14.3	19.7		205		
205-16	1	25.4													205-16		
SUCTP 206-18	1 1/8	31.75	30											1/2	SUC 206-18	TP 206	1.2
206			42.9	163	119	46	18	14	18	84	38.1	15.9	22.2		206		
206-19	1 3/16	36.5													206-19		
206-20	1 1/4 S	31.75													206-20		
SUCTP 207-20	1 1/4	31.75	35											1/2	SUC 207-20	TP 207	1.7
207-21	1 5/16	39.675	47.6	168	127	48	18	14	18	94	42.9	17.5	25.4		207-21		
207-22	1 3/8	34.925													207-22		
207															207		
207-23	1 7/16	39.675													207-23		
SUCTP 208-24	1 1/2	38.1	40											1/2	SUC 208-24	TP 208	2.2
208			49.2	184	137	54	18	14	20	99	49.2	19.0	30.2		208		

### CUCTP with Hard Chrome Coated Bearing Inserts

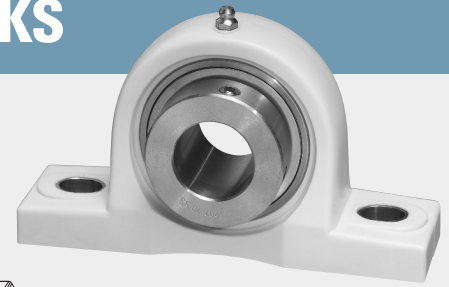
CUCTP 204-12	3/4	19.05	20											3/8	CUC 204-12	TP 204	.8
204			33.3	127	95	38	14	11	14	66	31.0	12.7	18.3		204		
CUCTP 205-14	7/8	22.225	25											3/8	CUC 205-14	TP 205	.8
205			36.5	140	105	38	14	11	14	71	34.0	14.3	19.7		205		
205-16	1	25.4													205-16		
CUCTP 206-18	1 1/8	31.75	30											1/2	CUC 206-18	TP 206	1.2
206			42.9	163	119	46	18	14	18	84	38.1	15.9	22.2		206		
206-19	1 3/16	36.5													206-19		
206-20	1 1/4 S	31.75													206-20		
CUCTP 207-20	1 1/4	31.75	35											1/2	CUC 207-20	TP 207	1.7
207-22	1 3/8	34.925	47.6	168	127	48	18	14	18	94	42.9	17.5	25.4		207-22		
207															207		
207-23	1 7/16	39.675													207-23		
CUCTP 208-24	1 1/2	38.1	40											1/2	CUC 208-24	TP 208	2.2
208			49.2	184	137	54	18	14	20	99	49.2	19.0	30.2		208		

### BUCTP with Black Oxide Bearing Inserts

BUCTP 201-8	1/2	12.7	20											3/8	BUC 201-8	TP 204	.8
202-10	5/8	15.875	33.3	127	95	38	14	11	14	66	31.0	12.7	18.3		202-10		
204-12	3/4	19.05													204-12		
204															204		
BUCTP 205-14	7/8	22.225	25											3/8	BUC 205-14	TP 205	.8
205			36.5	140	105	38	14	11	14	71	34.0	14.3	19.7		205		
205-16	1	25.4													205-16		
BUCTP 206-18	1 1/8	31.75	30											1/2	BUC 206-18	TP 206	1.2
206			42.9	163	119	46	18	14	18	84	38.1	15.9	22.2		206		
206-19	1 3/16	36.5													206-19		
206-20	1 1/4 S	31.75													206-20		
BUCTP 207-20	1 1/4	31.75	35											1/2	BUC 207-20	TP 207	1.7
207-22	1 3/8	34.925	47.6	168	127	48	18	14	18	94	42.9	17.5	25.4		207-22		
207															207		
207-23	1 7/16	39.675													207-23		
BUCTP 208-24	1 1/2	38.1	40											1/2	BUC 208-24	TP 208	2.2
208			49.2	184	137	54	18	14	20	99	49.2	19.0	30.2		208		

# Thermoplastic Pillow Blocks

## With Eccentric Locking Collar Stainless Steel bearing insert-SNATP



- Overview of corrosion resistant products – pg. 48



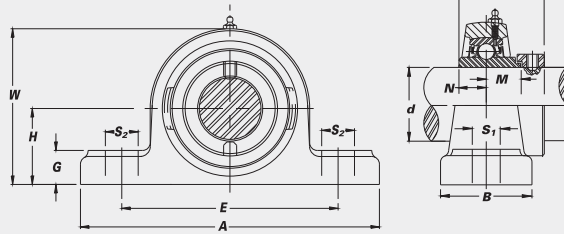
B-type Seal

B-type seal available in all styles and sizes.



L3-type Seal

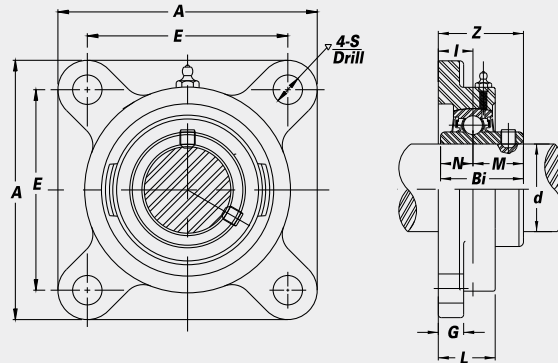
L3-type seal available in limited sizes. Consult IPTCI for speed limitations.



Unit No.	Shaft Dia.		Dimensions (in.) (mm)										Bolt Used (in.)	Bearing No.	Housing No.	Weight (lbs.)	
	<i>d</i>	(in.) (mm)	<i>H</i>	<i>A</i>	<i>E</i>	<i>B</i>	<i>S<sub>2</sub></i>	<i>S<sub>1</sub></i>	<i>G</i>	<i>W</i>	<i>Bi</i>	<i>N</i>					<i>M</i>
SNATP 204-12 204	3/4	20	1 <sup>5</sup> / <sub>16</sub> 33.3	5 127	3 <sup>3</sup> / <sub>4</sub> 95	1 <sup>1</sup> / <sub>2</sub> 38	9/16 14	7/16 11	9/16 14	2 <sup>19</sup> / <sub>32</sub> 66	1.5433 39.2	0.5000 12.7	0.6693 17.0	3/8	SNA 204-12 204	TP 204	.9
SNATP 205-14 205 205-16	7/8 1	25	1 <sup>7</sup> / <sub>16</sub> 36.5	5 <sup>1</sup> / <sub>2</sub> 140	4 <sup>1</sup> / <sub>8</sub> 105	1 <sup>1</sup> / <sub>2</sub> 38	9/16 14	7/16 11	9/16 14	2 <sup>13</sup> / <sub>16</sub> 71	1.6220 41.2	0.5630 14.3	0.6850 17.4	3/8	SNA 205-14 205 205-16	TP 205	.9
SNATP 206 206-19 206-20	1 <sup>3</sup> / <sub>16</sub> 1 <sup>1</sup> / <sub>4</sub> S	30	1 <sup>11</sup> / <sub>16</sub> 42.9	6 <sup>13</sup> / <sub>32</sub> 163	4 <sup>11</sup> / <sub>16</sub> 119	1 <sup>13</sup> / <sub>16</sub> 46	2 <sup>3</sup> / <sub>32</sub> 18	9/16 14	1 <sup>1</sup> / <sub>16</sub> 18	3 <sup>19</sup> / <sub>64</sub> 84	1.8110 46.0	0.6260 15.9	0.7165 18.2	1/2	SNA 206 206-19 206-20	TP 206	1.3
SNATP 207-20 207-22 207 207-23	1 <sup>1</sup> / <sub>4</sub> 1 <sup>3</sup> / <sub>8</sub> 1 <sup>7</sup> / <sub>16</sub>	35	1 <sup>7</sup> / <sub>8</sub> 47.6	6 <sup>5</sup> / <sub>8</sub> 168	5 127	1 <sup>29</sup> / <sub>32</sub> 48	2 <sup>3</sup> / <sub>32</sub> 18	9/16 14	1 <sup>1</sup> / <sub>16</sub> 18	3 <sup>11</sup> / <sub>16</sub> 94	1.9606 49.8	0.6890 17.5	0.7402 18.8	1/2	SNA 207-20 207-22 207 207-23	TP 207	1.9
SNATP 208-24 208	1 <sup>1</sup> / <sub>2</sub>	40	1 <sup>15</sup> / <sub>16</sub> 49.2	7 <sup>1</sup> / <sub>4</sub> 184	5 <sup>1</sup> / <sub>16</sub> 137	2 <sup>1</sup> / <sub>8</sub> 54	2 <sup>3</sup> / <sub>32</sub> 18	9/16 14	2 <sup>5</sup> / <sub>32</sub> 20	3 <sup>29</sup> / <sub>32</sub> 99	2.1220 53.9	0.7480 19.0	0.8425 21.4	1/2	SNA 208-24 208	TP 208	2.4

CORROSION RESISTANT

# Thermoplastic 4-Bolt Flanges



**With Set Screw Lock**  
**Optional bearing inserts:**  
 Stainless Steel-SUCTF  
 Hard Chrome Coated-CUCTF  
 Black Oxide-BUCTF

• End Caps Available for all styles.



B-type Seal



L3-type Seal

B-type seal available in all styles and sizes.

L3-type seal available in SUC units only. Limited sizes. Consult IPTCI for speed limitations.

CORROSION RESISTANT

Unit No.	Shaft Dia.		Dimensions (in.) (mm)										Bolt Used (in.)	Bearing No.	Housing No.	Weight (lbs.)
	d (in.)	d (mm)	A	E	I	G	L	S	Z	Bi	N	M				

### SUCTF with Stainless Steel Bearing Inserts

SUCTF 201-8	1/2		3/8	2 1/2	23/32	17/32	13/32	7/16	17/16	1.2205	0.5000	0.7205	3/8	SUC 201-8		
202-10	5/8		86	64	18	13	28	11	36.5	31.0	12.7	18.3		TF 204	.7	
204-12	3/4															
204		20														
SUCTF 205-14	7/8		3/4	2 3/4	43/64	9/16	13/32	7/16	17/16	1.3386	0.5630	0.7756	3/8	SUC 205-14		
205		25	95	70	17	14	28	11	36.5	34.0	14.3	19.7		TF 205	.8	
205-16	1															
SUCTF 206-18	1 1/8		4 1/4	3 1/4	3/4	9/16	1 1/4	7/16	1 5/8	1.5000	0.6260	0.8740	3/8	SUC 206-18		
206		30	108	83	19	14	32	11	41.3	38.1	15.9	22.2		TF 206	1.1	
206-19	1 3/16															
206-20	1 1/4 S															
SUCTF 207-20	1 1/4		4 21/32	3 5/8	21/32	5/8	1 3/8	33/64	1 27/32	1.6890	0.6890	1.0000	7/16	SUC 207-20		
207-21	1 5/16		118	92	21	16	35	13	46.8	42.9	17.5	25.4		TF 207	1.7	
207-22	1 3/8															
207		35														
207-23	1 7/16															
SUCTF 208-24	1 1/2		5 1/8	4	29/32	21/32	1 15/32	35/64	2 3/32	1.9370	0.7480	1.1890	1/2	SUC 208-24		
208		40	130	102	23	17	37	14	53.2	49.2	19.0	30.2		TF 208	2.2	

### CUCTF with Hard Chrome Coated Bearing Inserts

CUCTF 204-12	3/4		3/8	2 1/2	23/32	17/32	13/32	7/16	17/16	1.2205	0.5000	0.7205	3/8	CUC 204-12		
204		20	86	64	18	13	28	11	36.5	31.0	12.7	18.3		TF 204	.7	
CUCTF 205-14	7/8		3/4	2 3/4	43/64	9/16	13/32	7/16	17/16	1.3386	0.5630	0.7756	3/8	CUC 205-14		
205		25	95	70	17	14	28	11	36.5	34.0	14.3	19.7		TF 205	.8	
205-16	1															
CUCTF 206-18	1 1/8		4 1/4	3 1/4	3/4	9/16	1 1/4	7/16	1 5/8	1.5000	0.6260	0.8740	3/8	CUC 206-18		
206		30	108	83	19	14	32	11	41.3	38.1	15.9	22.2		TF 206	1.1	
206-19	1 3/16															
206-20	1 1/4 S															
CUCTF 207-20	1 1/4		4 21/32	3 5/8	21/32	5/8	1 3/8	33/64	1 27/32	1.6890	0.6890	1.0000	7/16	CUC 207-20		
207-22	1 3/8		118	92	21	16	35	13	46.8	42.9	17.5	25.4		TF 207	1.7	
207		35														
207-23	1 7/16															
CUCTF 208-24	1 1/2		5 1/8	4	29/32	21/32	1 15/32	35/64	2 3/32	1.9370	0.7480	1.1890	1/2	CUC 208-24		
208		40	130	102	23	17	37	14	53.2	49.2	19.0	30.2		TF 208	2.2	

### BUCTF with Black Oxide Bearing Inserts

BUCTF 201-8	1/2		3/8	2 1/2	23/32	17/32	13/32	7/16	17/16	1.2205	0.5000	0.7205	3/8	BUC 201-8		
202-10	5/8		86	64	18	13	28	11	36.5	31.0	12.7	18.3		TF 204	.7	
204-12	3/4															
204		20														
BUCTF 205-14	7/8		3/4	2 3/4	43/64	9/16	13/32	7/16	17/16	1.3386	0.5630	0.7756	3/8	BUC 205-14		
205		25	95	70	17	14	28	11	36.5	34.0	14.3	19.7		TF 205	.8	
205-16	1															
BUCTF 206-18	1 1/8		4 1/4	3 1/4	3/4	9/16	1 1/4	7/16	1 5/8	1.5000	0.6260	0.8740	3/8	BUC 206-18		
206		30	108	83	19	14	32	11	41.3	38.1	15.9	22.2		TF 206	1.1	
206-19	1 3/16															
206-20	1 1/4 S															
BUCTF 207-20	1 1/4		4 21/32	3 5/8	21/32	5/8	1 3/8	33/64	1 27/32	1.6890	0.6890	1.0000	7/16	BUC 207-20		
207-22	1 3/8		118	92	21	16	35	13	46.8	42.9	17.5	25.4		TF 207	1.7	
207		35														
207-23	1 7/16															
BUCTF 208-24	1 1/2		5 1/8	4	29/32	21/32	1 15/32	35/64	2 3/32	1.9370	0.7480	1.1890	1/2	BUC 208-24		
208		40	130	102	23	17	37	14	53.2	49.2	19.0	30.2		TF 208	2.2	

# Thermoplastic 4-Bolt Flanges



## With Eccentric Locking Collar Stainless Steel bearing insert-SNATF

- Overview of corrosion resistant products – pg. 48



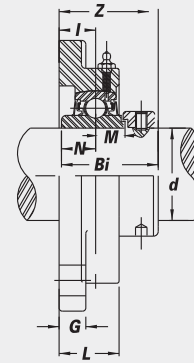
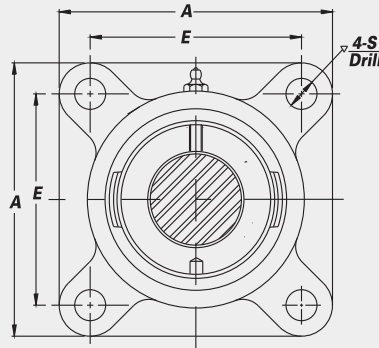
B-type seal available in all styles and sizes.

B-type Seal



L3-type seal available in limited sizes. Consult IPTCI for speed limitations.

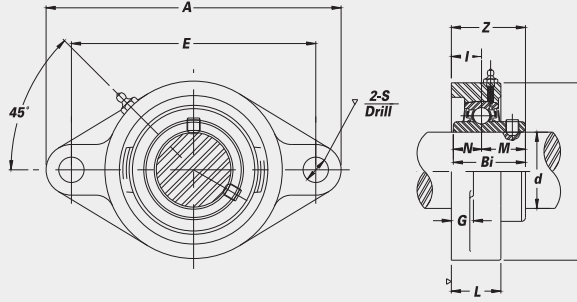
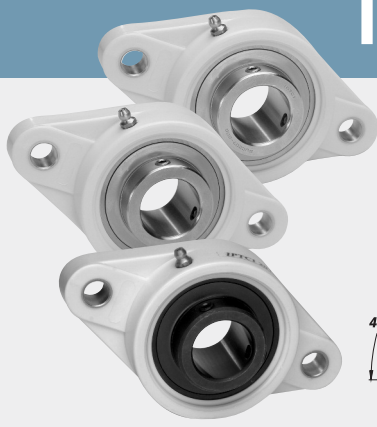
L3-type Seal



Unit No.	Shaft Dia.	Dimensions (in.) (mm)										Bolt Used (in.)	Bearing No.	Housing No.	Weight (lbs.)	
	<i>d</i>	<i>A</i>	<i>E</i>	<i>I</i>	<i>G</i>	<i>L</i>	<i>S</i>	<i>Z</i>	<i>Bi</i>	<i>N</i>	<i>M</i>					
<b>SNATF with Stainless Steel Bearing Inserts</b>																
SNATF 204-12 204	<sup>3</sup> / <sub>4</sub> 20	<sup>3</sup> / <sub>8</sub> 86	<sup>2</sup> / <sub>2</sub> 64	<sup>23</sup> / <sub>32</sub> 18	<sup>17</sup> / <sub>32</sub> 13	<sup>13</sup> / <sub>32</sub> 28	<sup>7</sup> / <sub>16</sub> 11	<sup>1</sup> / <sub>4</sub> 44.5	1.5433 39.2	0.5000 12.7	0.6693 17.0	<sup>3</sup> / <sub>8</sub>	SNA 204-12 204	TF 204	.8	
SNATF 205-14 205 205-16	<sup>7</sup> / <sub>8</sub> 1	<sup>3</sup> / <sub>4</sub> 95	<sup>2</sup> / <sub>4</sub> 70	<sup>43</sup> / <sub>64</sub> 17	<sup>9</sup> / <sub>16</sub> 14	<sup>13</sup> / <sub>32</sub> 28	<sup>7</sup> / <sub>16</sub> 11	<sup>147</sup> / <sub>64</sub> 43.9	1.6220 41.2	0.5630 14.3	0.6850 17.4	<sup>3</sup> / <sub>8</sub>	SNA 205-14 205 205-16	TF 205	.9	
SNATF 206-18 206 206-19 206-20	<sup>1</sup> / <sub>8</sub> <sup>13</sup> / <sub>16</sub> <sup>1</sup> / <sub>4</sub> S	<sup>4</sup> / <sub>4</sub> 108	<sup>3</sup> / <sub>4</sub> 83	<sup>3</sup> / <sub>4</sub> 19	<sup>9</sup> / <sub>16</sub> 14	<sup>1</sup> / <sub>4</sub> 32	<sup>7</sup> / <sub>16</sub> 11	<sup>115</sup> / <sub>16</sub> 49.1	1.8110 46.0	0.6260 15.9	0.7165 18.2	<sup>3</sup> / <sub>8</sub>	SNA 206-18 206 206-19 206-20	TF 206	1.2	
SNATF 207-20 207-22 207 207-23	<sup>1</sup> / <sub>4</sub> <sup>1</sup> / <sub>8</sub>	<sup>42</sup> / <sub>32</sub> 118	<sup>3</sup> / <sub>8</sub> 92	<sup>2</sup> / <sub>32</sub> 21	<sup>5</sup> / <sub>8</sub> 16	<sup>13</sup> / <sub>8</sub> 35	<sup>33</sup> / <sub>64</sub> 13	<sup>23</sup> / <sub>32</sub> 53.3	1.9606 49.8	0.6890 17.5	0.7402 18.8	<sup>7</sup> / <sub>16</sub>	SNA 207-20 207-22 207 207-23	TF 207	1.9	
SNATF 208-24 208	<sup>1</sup> / <sub>2</sub> 40	<sup>5</sup> / <sub>8</sub> 130	4 102	<sup>29</sup> / <sub>32</sub> 23	<sup>2</sup> / <sub>32</sub> 17	<sup>115</sup> / <sub>32</sub> 37	<sup>35</sup> / <sub>64</sub> 14	<sup>29</sup> / <sub>32</sub> 57.9	2.1220 53.9	0.7480 19.0	0.8425 21.4	<sup>1</sup> / <sub>2</sub>	SNA 208-24 208	TF 208	2.4	

CORROSION RESISTANT

# Thermoplastic 2-Bolt Flanges



**With Set Screw Lock**  
**Optional bearing inserts:**  
 Stainless Steel-SUCTFL  
 Hard Chrome Coated-CUCTFL  
 Black Oxide-BUCTFL

• End Caps Available for all styles.



B-type Seal

B-type seal available in all styles and sizes.



L3-type Seal

L3-type seal available in SUC units only. Limited sizes. Consult IPTCI for speed limitations.

CORROSION RESISTANT

Unit No.	Shaft Dia.	Dimensions (in. (mm))											Bolt Used (in.)	Bearing No.	Housing No.	Weight (lbs.)
	d	A	E	I	G	L	S	B	Z	Bi	N	M				

## SUCTFL with Stainless Steel Bearing Inserts

SUCTFL 201-8 202-10 204-12 204	1/2 5/8 3/4	20	47/16 113	317/32 89.7	39/64 15	7/16 11	11/32 26	7/16 11	217/32 64	121/64 33.7	1.2205 31.0	0.5000 12.7	0.7205 18.3	3/8	SUC 201-8 202-10 204-12 204	TFL 204	.5
SUCTFL 205-14 205 205-16	7/8 1	25	51/8 130	357/64 98.8	43/64 17	17/32 13	15/32 29	7/16 11	23/4 70	17/16 36.5	1.3386 34.0	0.5630 14.3	0.7756 19.7	3/8	SUC 205-14 205 205-16	TFL 205	.7
SUCTFL 206-18 206 206-19 206-20	1 1/8 1 3/16 1 1/4S	30	519/16 148	419/32 116.7	3/4 19	17/32 13	17/32 31	7/16 11	35/32 80	139/64 40.9	1.5000 38.1	0.6260 15.9	0.8740 22.2	3/8	SUC 206-18 206 206-19 206-20	TFL 206	1.1
SUCTFL 207-20 207-21 207-22 207 207-23	1 1/4 1 5/16 1 3/8 1 7/16	35	615/32 164	51/8 130.2	23/32 18	5/8 16	19/32 33	33/64 13	317/32 90	123/32 43.7	1.6890 42.9	0.6890 17.5	1.0000 25.4	1/2	SUC 207-20 207-21 207-22 207 207-23	TFL 207	1.5
SUCTFL 208-24 208	1 1/2	40	67/8 175	521/32 143.7	21/32 21	25/32 20	115/32 37	35/64 14	315/16 100	23/64 52.0	1.9370 49.2	0.7480 19.0	1.1890 30.2	1/2	SUC 208-24 208	TFL 208	2.0

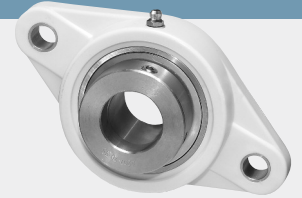
## CUCTFL with Hard Chrome Coated Bearing Inserts

CUCTFL 204-12 204	3/4	20	47/16 113	317/32 89.7	39/64 15	7/16 11	11/32 26	7/16 11	217/32 64	121/64 33.7	1.2205 31.0	0.5000 12.7	0.7205 18.3	3/8	CUC 204-12 204	TFL 204	.5
CUCTFL 205-14 205 205-16	7/8 1	25	51/8 130	357/64 98.8	43/64 17	17/32 13	15/32 29	7/16 11	23/4 70	17/16 36.5	1.3386 34.0	0.5630 14.3	0.7756 19.7	3/8	CUC 205-14 205 205-16	TFL 205	.7
CUCTFL 206-18 206 206-19 206-20	1 1/8 1 3/16 1 1/4S	30	519/16 148	419/32 116.7	3/4 19	17/32 13	17/32 31	7/16 11	35/32 80	139/64 40.9	1.5000 38.1	0.6260 15.9	0.8740 22.2	3/8	CUC 206-18 206 206-19 206-20	TFL 206	1.1
CUCTFL 207-20 207-22 207 207-23	1 1/4 1 5/16 1 3/8 1 7/16	35	615/32 164	51/8 130.2	23/32 18	5/8 16	19/32 33	33/64 13	317/32 90	123/32 43.7	1.6890 42.9	0.6890 17.5	1.0000 25.4	1/2	CUC 207-20 207-22 207 207-23	TFL 207	1.5
CUCTFL 208-24 208	1 1/2	40	67/8 175	521/32 143.7	21/32 21	25/32 20	115/32 37	35/64 14	315/16 100	23/64 52.0	1.9370 49.2	0.7480 19.0	1.1890 30.2	1/2	CUC 208-24 208	TFL 208	2.0

## BUCTFL with Black Oxide Bearing Inserts

BUCTFL 201-8 202-10 204-12 204	1/2 5/8 3/4	20	47/16 113	317/32 89.7	39/64 15	7/16 11	11/32 26	7/16 11	217/32 64	121/64 33.7	1.2205 31.0	0.5000 12.7	0.7205 18.3	3/8	BUC 201-8 202-10 204-12 204	TFL 204	.5
BUCTFL 205-14 205 205-16	7/8 1	25	51/8 130	357/64 98.8	43/64 17	17/32 13	15/32 29	7/16 11	23/4 70	17/16 36.5	1.3386 34.0	0.5630 14.3	0.7756 19.7	3/8	BUC 205-14 205 205-16	TFL 205	.7
BUCTFL 206-18 206 206-19 206-20	1 1/8 1 3/16 1 1/4S	30	519/16 148	419/32 116.7	3/4 19	17/32 13	17/32 31	7/16 11	35/32 80	139/64 40.9	1.5000 38.1	0.6260 15.9	0.8740 22.2	3/8	BUC 206-18 206 206-19 206-20	TFL 206	1.1
BUCTFL 207-20 207-22 207 207-23	1 1/4 1 5/16 1 3/8 1 7/16	35	615/32 164	51/8 130.2	23/32 18	5/8 16	19/32 33	33/64 13	317/32 90	123/32 43.7	1.6890 42.9	0.6890 17.5	1.0000 25.4	1/2	BUC 207-20 207-22 207 207-23	TFL 207	1.5
BUCTFL 208-24 208	1 1/2	40	67/8 175	521/32 143.7	21/32 21	25/32 20	115/32 37	35/64 14	315/16 100	23/64 52.0	1.9370 49.2	0.7480 19.0	1.1890 30.2	1/2	BUC 208-24 208	TFL 208	2.0

# Thermoplastic 2-Bolt Flanges



## With Eccentric Locking Collar Stainless Steel bearing insert-SNATFL

- Overview of corrosion resistant products – pg. 48



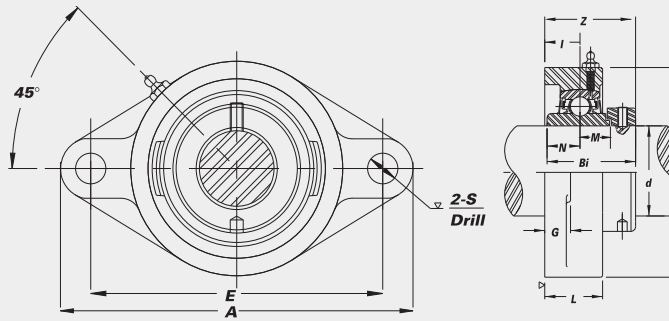
B-type Seal

B-type seal available in all styles and sizes.



L3-type Seal

L3-type seal available in limited sizes. Consult IPTCI for speed limitations.

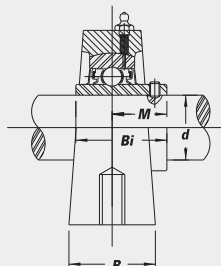
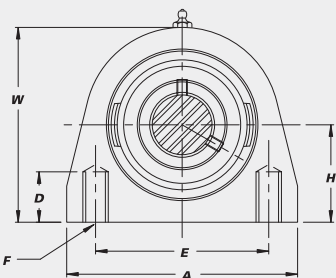
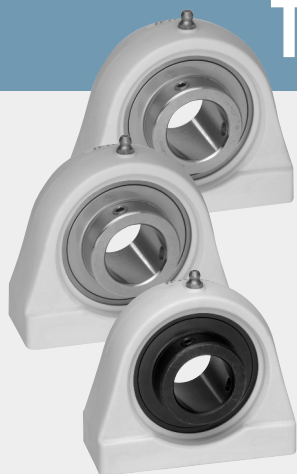


CORROSION RESISTANT

Unit No.	Shaft Dia.		Dimensions (in.) (mm)											Bolt Used (in.)	Bearing No.	Housing No.	Weight (lbs.)
	d (in.)	d (mm)	A	E	I	G	L	S	B	Z	Bi	N	M				
<b>SNATFL with Stainless Steel Bearing Inserts</b>																	
SNATFL 204-12 204	3/4	20	47/16 113	317/32 89.7	39/64 15	7/16 11	11/32 26	7/16 11	217/32 64	15/8 41.5	1.5433 39.2	0.5000 12.7	0.6693 17.0	3/8	SNA 204-12 204	TFL 204	.6
SNATFL 205-14 205 205-16	7/8	25	51/8 130	357/64 98.8	43/64 17	17/32 13	15/32 29	7/16 11	23/4 70	147/64 43.9	1.6220 41.2	0.5630 14.3	0.6850 17.4	3/8	SNA 205-14 205 205-16	TFL 205	.8
SNATFL 206-18 206 206-19 206-20	1 1/8	30	513/16 148	419/32 116.7	3/4 19	17/32 13	17/32 31	7/16 11	35/32 80	115/16 49.1	1.8110 46.0	0.6260 15.9	0.7165 18.2	3/8	SNA 206-18 206 206-19 206-20	TFL 206	1.2
SNATFL 207-20 207-22 207 207-23	1 1/4	35	615/32 164	51/8 130.2	23/32 18	5/8 16	19/32 33	33/64 13	317/32 90	163/64 50.3	1.9606 49.8	0.6890 17.5	0.7402 18.8	1/2	SNA 207-20 207-22 207 207-23	TFL 207	1.7
SNATFL 208-24 208	1 1/2	40	67/8 175	521/32 143.7	27/32 21	25/32 20	115/32 37	35/64 14	315/16 100	213/64 55.9	2.1220 53.9	0.7480 19.0	0.8425 21.4	1/2	SNA 208-24 208	TFL 208	2.2



# Thermoplastic Tapped Base Pillow Blocks



**With Set Screw Lock**  
**Optional bearing inserts:**  
 Stainless Steel-SUCTPA  
 Hard Chrome Coated-CUCTPA  
 Black Oxide-BUCTPA

• End Caps Available for all styles.



B-type Seal

B-type seal available in all styles and sizes.



L3-type Seal

L3-type seal available in SUC units only. Limited sizes. Consult IPTCI for speed limitations.

CORROSION RESISTANT

Unit No.	Shaft Dia.		Dimensions (in.) (mm)								Bearing No.	Housing No.	Weight (lbs.)
	d	d	H	A	E	B	W	F-Tapped Holes	D-Min Tap Depth	M			

## SUCTPA with Stainless Steel Bearing Inserts

SUCTPA 201-8	1/2		1 5/16	2 7/8	2	1 3/8	2 19/32	3/8"-16	1/2	0.7205	1.2205	SUC 201-8		
202-10	5/8		33.3	73	50.8	35	66	UNC	13	18.3	31.0	202-10	TPA 204	.6
204-12	3/4											204-12		
204		20										204		
SUCTPA 205-14	7/8		1 7/16	3	2	1 9/16	2 29/32	3/8"-16	1/2	0.7756	1.3386	SUC 205-14		
205		25	36.5	76	50.8	40	74	UNC	13	19.7	34.0	205	TPA 205	.8
205-16	1											205-16		
SUCTPA 206-18	1 1/8		1 11/16	4	3	1 11/16	3 5/16	7/16"-14	1/2	0.8740	1.5000	SUC 206-18		
206		30	42.9	102	76.2	43	84	UNC	13	22.2	38.1	206	TPA 206	1.2
206-19	1 3/16											206-19		
206-20	1 1/4 S											206-20		
SUCTPA 207-20	1 1/4		1 7/8	4 5/16	3 1/4	1 7/8	3 3/4	1/2"-13	4 1/64	1.0000	1.6890	SUC 207-20		
207-21	1 3/16		47.6	110	82.6	48	95	UNC	16	25.4	42.9	207-21	TPA 207	1.7
207-22	1 3/8											207-22		
207		35										207		
207-23	1 7/16											207-23		
SUCTPA 208-24	1 1/2		1 15/16	4 3/4	3 1/2	1 7/8	4	1/2"-13	4 1/64	1.1890	1.9370	SUC 208-24		
208		40	49.2	120	88.9	48	101	UNC	16	30.2	49.2	208	TPA 208	2.1

## CUCTPA with Hard Chrome Coated Bearing Inserts

CUCTPA 204-12	3/4		1 5/16	2 7/8	2	1 3/8	2 19/32	3/8"-16	1/2	0.7205	1.2205	CUC 204-12		
204		20	33.3	73	50.8	35	66	UNC	13	18.3	31.0	204	TPA 204	.6
CUCTPA 205-14	7/8		1 7/16	3	2	1 9/16	2 29/32	3/8"-16	1/2	0.7756	1.3386	CUC 205-14		
205		25	36.5	76	50.8	40	74	UNC	13	19.7	34.0	205	TPA 205	.8
205-16	1											205-16		
CUCTPA 206-18	1 1/8		1 11/16	4	3	1 11/16	3 5/16	7/16"-14	1/2	0.8740	1.5000	CUC 206-18		
206		30	42.9	102	76.2	43	84	UNC	13	22.2	38.1	206	TPA 206	1.2
206-19	1 3/16											206-19		
206-20	1 1/4 S											206-20		
CUCTPA 207-20	1 1/4		1 7/8	4 5/16	3 1/4	1 7/8	3 3/4	1/2"-13	4 1/64	1.0000	1.6890	CUC 207-20		
207-22	1 3/8		47.6	110	82.6	48	95	UNC	16	25.4	49.2	207-22	TPA 207	1.7
207		35										207		
207-23	1 7/16											207-23		
CUCTPA 208-24	1 1/2		1 15/16	4 3/4	3 1/2	1 7/8	4	1/2"-13	4 1/64	1.1890	1.9370	CUC 208-24		
208		40	49.2	120	88.9	48	101	UNC	16	30.2	49.2	208	TPA 208	2.1

## BUCTPA with Black Oxide Bearing Inserts

BUCTPA 201-8	1/2		1 5/16	2 7/8	2	1 3/8	2 19/32	3/8"-16	1/2	0.7205	1.2205	BUC 201-8		
202-10	5/8		33.3	73	50.8	35	66	UNC	13	18.3	31.0	202-10	TPA 204	.6
204-12	3/4											204-12		
204		20										204		
BUCTPA 205-14	7/8		1 7/16	3	2	1 9/16	2 29/32	3/8"-16	1/2	0.7756	1.3386	BUC 205-14		
205		25	36.5	76	50.8	40	74	UNC	13	19.7	34.0	205	TPA 205	.8
205-16	1											205-16		
BUCTPA 206-18	1 1/8		1 11/16	4	3	1 11/16	3 5/16	7/16"-14	1/2	0.8740	1.5000	BUC 206-18		
206		30	42.9	102	76.2	43	84	UNC	13	22.2	38.1	206	TPA 206	1.2
206-19	1 3/16											206-19		
206-20	1 1/4 S											206-20		
BUCTPA 207-20	1 1/4		1 7/8	4 5/16	3 1/4	1 7/8	3 3/4	1/2"-13	4 1/64	1.0000	1.6890	BUC 207-20		
207-22	1 3/8		47.6	110	82.6	48	95	UNC	16	25.4	42.9	207-22	TPA 207	1.7
207		35										207		
207-23	1 7/16											207-23		
BUCTPA 208-24	1 1/2		1 15/16	4 3/4	3 1/2	1 7/8	4	1/2"-13	4 1/64	1.1890	1.9370	BUC 208-24		
208		40	49.2	120	88.9	48	101	UNC	16	30.2	49.2	208	TPA 208	2.1

# Thermoplastic 3-Bolt Flanges

## With Set Screw Lock

Optional bearing inserts:  
**Stainless Steel-SUCTFB**  
**Hard Chrome Coated-CUCTFB**  
**Black Oxide-BUCTFB**

• End Caps Available for all styles.



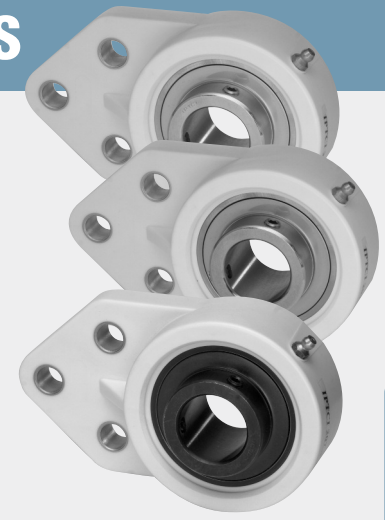
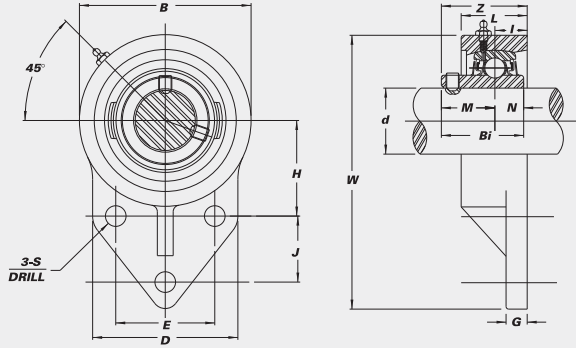
B-type Seal



L3-type Seal

B-type seal available in all styles and sizes.

L3-type seal available in SUC units only. Limited sizes. Consult IPTCI for speed limitations.



CORROSION RESISTANT

Unit No.	Shaft Dia.		Dimensions (in. (mm))													Bolt Used (in.)	Bearing No.	Housing No.	Weight (lbs.)
	d (in.)	d (mm)	W	B	D	L	S	G	H	J	E	I	Z	Bi	N				

### SUCTFB with Stainless Steel Bearing Inserts

SUCTFB 201-8 202-10 204-12 204	1/2 5/8 3/4	20	4 1/4 108	2 1/2 64	2 7/16 62	1 1/32 26	25/64 9.9	7/16 11	1 11/16 43.3	7/8 22.2	1 1/2 38.1	19/32 15	1 5/16 33.3	1.2205 31.0	0.5000 12.7	0.7205 18.3	5/16	SUC 201-8 202-10 204-12 204	TFB 204	.6
SUCTFB 205-14 205 205-16	7/8 1	25	4 3/4 121	2 3/4 70	2 1/2 64	1 11/32 34	25/64 9.9	7/16 11	1 13/16 46.0	1 1/8 28.6	1 5/8 41.3	21/32 16.5	1 15/32 37.1	1.3386 34.0	0.5630 14.3	0.7756 19.7	5/16	SUC 205-14 205 205-16	TFB 205	.7
SUCTFB 206-18 206 206-19 206-20	1 1/8 1 3/16 1 1/4 S	30	5 3/8 137	3 1/4 83	3 76	1 1/4 32	25/64 9.9	17/32 13	2 1/16 52.4	1 1/4 31.8	1 7/8 47.6	45/64 18	1 19/32 40.6	1.5000 38.1	0.6260 15.9	0.8740 22.2	5/16	SUC 206-18 206 206-19 206-20	TFB 206	1.1
SUCTFB 207-20 207-21 207-22 207 207-23	1 1/4 1 5/16 1 3/8 1 7/16	35	6 1/8 156	3 3/4 95	3 1/2 89	1 7/16 37	33/64 13.1	41/64 16	2 3/8 60.3	1 1/4 31.8	2 50.8	3/4 19	1 49/64 45.0	1.6890 42.9	0.6890 17.5	1.0000 25.4	7/16	SUC 207-20 207-21 207-22 207 207-23	TFB 207	1.5

### CUCTFB with Hard Chrome Coated Bearing Inserts

CUCTFB 204-12 204	3/4	20	4 1/4 108	2 1/2 64	2 7/16 62	1 1/32 26	25/64 9.9	7/16 11	1 11/16 43.3	7/8 22.2	1 1/2 38.1	19/32 15	1 5/16 33.3	1.2205 31.0	0.5000 12.7	0.7205 18.3	5/16	CUC 204-12 204	TFB 204	.6
CUCTFB 205-14 205 205-16	7/8 1	25	4 3/4 121	2 3/4 70	2 1/2 64	1 11/32 34	25/64 9.9	7/16 11	1 13/16 46.0	1 1/8 28.6	1 5/8 41.3	21/32 16.5	1 15/32 37.1	1.3386 34.0	0.5630 14.3	0.7756 19.7	5/16	CUC 205-14 205 205-16	TFB 205	.7
CUCTFB 206-18 206 206-19 206-20	1 1/8 1 3/16 1 1/4 S	30	5 3/8 137	3 1/4 83	3 76	1 1/4 32	25/64 9.9	17/32 13	2 1/16 52.4	1 1/4 31.8	1 7/8 47.6	45/64 18	1 19/32 40.6	1.5000 38.1	0.6260 15.9	0.8740 22.2	5/16	CUC 206-18 206 206-19 206-20	TFB 206	1.1
CUCTFB 207-20 207-22 207 207-23	1 1/4 1 3/8 1 7/16	35	6 1/8 156	3 3/4 95	3 1/2 89	1 7/16 37	33/64 13.1	41/64 16	2 3/8 60.3	1 1/4 31.8	2 50.8	3/4 19	1 49/64 45.0	1.6890 42.9	0.6890 17.5	1.0000 25.4	7/16	CUC 207-20 207-22 207 207-23	TFB 207	1.5

### BUCTFB with Black Oxide Bearing Inserts

BUCTFB 201-8 202-10 204-12 204	1/2 5/8 3/4	20	4 1/4 108	2 1/2 64	2 7/16 62	1 1/32 26	25/64 9.9	7/16 11	1 11/16 43.3	7/8 22.2	1 1/2 38.1	19/32 15	1 5/16 33.3	1.2205 31.0	0.5000 12.7	0.7205 18.3	5/16	BUC 201-8 202-10 204-12 204	TFB 204	.6
BUCTFB 205-14 205 205-16	7/8 1	25	4 3/4 121	2 3/4 70	2 1/2 64	1 11/32 34	25/64 9.9	7/16 11	1 13/16 46.0	1 1/8 28.6	1 5/8 41.3	21/32 16.5	1 15/32 37.1	1.3386 34.0	0.5630 14.3	0.7756 19.7	5/16	BUC 205-14 205 205-16	TFB 205	.7
BUCTFB 206-18 206 206-19 206-20	1 1/8 1 3/16 1 1/4 S	30	5 3/8 137	3 1/4 83	3 76	1 1/4 32	25/64 9.9	17/32 13	2 1/16 52.4	1 1/4 31.8	1 7/8 47.6	45/64 18	1 19/32 40.6	1.5000 38.1	0.6260 15.9	0.8740 22.2	5/16	BUC 206-18 206 206-19 206-20	TFB 206	1.1
BUCTFB 207-20 207-21 207-22 207 207-23	1 1/4 1 5/16 1 3/8 1 7/16	35	6 1/8 156	3 3/4 95	3 1/2 89	1 7/16 37	33/64 13.1	41/64 16	2 3/8 60.3	1 1/4 31.8	2 50.8	3/4 19	1 49/64 45.0	1.6890 42.9	0.6890 17.5	1.0000 25.4	7/16	BUC 207-20 207-21 207-22 207 207-23	TFB 207	1.5

# Nickel Plated Pillow Blocks

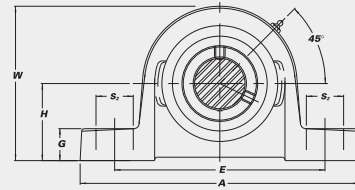
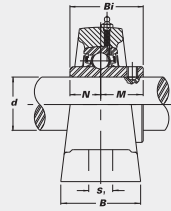


## With optional bearing inserts: Stainless Steel-SUCNPP Hard Chrome Coated-CUCNPP

- High shaft height
- B-type seals
- Available with locking collar bearings. Please ask.
- Overview of corrosion resistant products – pg. 48



B-type Seal



CORROSION RESISTANT

Unit No.	Shaft Dia.		Dimensions (in.) (mm)										Bolt Used (in.)	Bearing No.	Housing No.	Weight (lbs.)
	d (in.)	d (mm)	H	A	E	B	S <sub>2</sub>	S <sub>1</sub>	G	W	Bi	N				

### SUCNPP with Stainless Steel Bearing Inserts

SUCNPP 201-8	1/2																SUC 201-8		
202-10	5/8	1 1/16	5	3 3/4	1 1/2	1 1/16	7/16	9/16	2 19/32	1.2205	0.5000	0.7205	3/8				202-10	NPP 204	1.6
204-12	3/4	33.3	127	95	38	17	11	14	66	31.0	12.7	18.3					204-12		
204	20																204		
SUCNPP 205-14	7/8																SUC 205-14		
205	25	1 1/16	5 1/2	4 1/8	1 1/2	1 1/16	1/2	5/8	2 27/32	1.3386	0.5630	0.7756	3/8				205	NPP 205	2.0
205-16	1	36.5	140	105	38	17	13	16	72	34.0	14.3	19.7					205-16		
SUCNPP 206-18	1 1/8																SUC 206-18		
206	30	1 11/16 *1	6 5/16	4 3/4	1 3/4	1 3/16	9/16	1 1/16	3 19/64	1.5000	0.6260	0.8740	1/2				206	NPP 206	3.0
206-19	1 3/16	42.9	160	121	44	21	14	18	84	38.1	15.9	22.2					206-19		
206-20	1 1/4 S																206-20		
SUCNPP 207-20	1 1/4																SUC 207-20		
207-21	1 5/16																207-21		
207-22	1 3/8	35	17/8	6 17/32	5	1 29/32	7/8	9/16	3 1/16	1.6890	0.6890	1.0000	1/2				207-22	NPP 207	4.0
207		47.6	166	127	48	22	14	19	94	42.9	17.5	25.4					207		
207-23	1 7/16																207-23		
SUCNPP 208-24	1 1/2																SUC 208-24		
208	40	1 15/16 *2	7 7/8	5 7/16	2	7/8	9/16	1 3/16	4	1.9370	0.7480	1.1890	1/2				208-24	NPP 208	5.0
		49.2	181	137	51	22	14	21	102	49.2	19.0	30.2					208		
SUCNPP 209-27	1 11/16																SUC 209-27		
209-28	1 3/4																209-28		
209	45	2 1/8	7 1/2	5 3/4	2 1/8	1 3/16	1 9/32	7/8	4 17/64	1.9370	0.7480	1.1890	1/2				209-28	NPP 209	5.7
		54.0	190	146	54	21	15	22	109	49.2	19.0	30.2					209		
SUCNPP 210-31	1 15/16																SUC 210-31		
210	50	2 1/4	8	6 1/4	2 1/4	1 5/16	2 3/32	1 5/16	4 3 3/64	2.0315	0.7480	1.2835	5/8				210	NPP 210	6.8
210-32	2 S	57.2	203	159	57	24	18	24	115	51.6	19.0	32.6					210-32		
SUCNPP 211-32	2																SUC 211-32		
211-35	2 3/16																211-32		
		63.5	220	174	60	24	18	27	128	55.6	22.2	33.4	5/8				211-35	NPP 211	8.8
SUCNPP 212-36	2 1/4																SUC 212-36		
212-39	2 1/16																212-36		
		69.8	242	187	64	25.4	20	27	140	65.1	25.4	39.7	5/8				212-39	NPP 212	11.2

### CUCNPP with Hard Chrome Coated Bearing Inserts

CUCNPP 204-12	3/4																CUC 204-12		
204	20	1 5/16	5	3 3/4	1 1/2	1 1/16	7/16	9/16	2 19/32	1.2205	0.5000	0.7205	3/8				204-12	NPP 204	1.6
		33.3	127	95	38	17	11	14	66	31.0	12.7	18.3					204		
CUCNPP 205-14	7/8																CUC 205-14		
205	25	1 1/16	5 1/2	4 1/8	1 1/2	1 1/16	1/2	5/8	2 27/32	1.3386	0.5630	0.7756	3/8				205-14	NPP 205	2.0
205-16	1	36.5	140	105	38	17	13	16	72	34.0	14.3	19.7					205-16		
CUCNPP 206-18	1 1/8																CUC 206-18		
206	30	1 11/16 *1	6 5/16	4 3/4	1 3/4	1 3/16	9/16	1 1/16	3 19/64	1.5000	0.6260	0.8740	1/2				206-18	NPP 206	3.0
206-19	1 3/16	42.9	160	121	44	21	14	18	84	38.1	15.9	22.2					206-19		
206-20	1 1/4 S																206-20		
CUCNPP 207-20	1 1/4																CUC 207-20		
207-22	1 3/8																207-22		
207	35	1 7/8	6 17/32	5	1 29/32	7/8	9/16	3 1/4	3 11/16	1.6890	0.6890	1.0000	1/2				207	NPP 207	4.0
207-23	1 7/16																207-23		
CUCNPP 208-24	1 1/2																CUC 208-24		
208	40	1 15/16 *2	7 7/8	5 7/16	2	7/8	9/16	1 3/16	4	1.9370	0.7480	1.1890	1/2				208-24	NPP 208	5.0
		49.2	181	137	51	22	14	21	102	49.2	19.0	30.2					208		
CUCNPP 209-27	1 11/16																CUC 209-27		
209-28	1 3/4																209-28		
209	45	2 1/8	7 1/2	5 3/4	2 1/8	1 3/16	1 9/32	7/8	4 17/64	1.9370	0.7480	1.1890	1/2				209-28	NPP 209	5.7
		54.0	190	146	54	21	15	22	109	49.2	19.0	30.2					209		
CUCNPP 210-31	1 15/16																CUC 210-31		
210	50	2 1/4	8	6 1/4	2 1/4	1 5/16	2 3/32	1 5/16	4 3 3/64	2.0315	0.7480	1.2835	5/8				210-31	NPP 210	6.8
210-32	2 S	57.2	203	159	57	24	18	24	115	51.6	19.0	32.6					210-32		
CUCNPP 211-32	2																CUC 211-32		
211-35	2 3/16																211-32		
		63.5	220	174	60	24	18	27	128	55.6	22.2	33.4	5/8				211-35	NPP 211	8.8
CUCNPP 212-36	2 1/4																CUC 212-36		
212-39	2 1/16																212-36		
		69.8	242	187	64	25.4	20	27	140	65.1	25.4	39.7	5/8				212-39	NPP 212	11.2
CUCNPP 213-40	2 1/2																CUC 213-40		
		3	10 3/4	8 1/8	2 11/16	1 3/16	1 3/16	1 1/8	6 1/32	2.5630	1.0000	1.5630	7/8				213-40	NPP 213	14.1
		76.2	273	206	68	30	20	28	153	65.1	25.4	39.7					213-40		
CUCNPP 215-47	2 15/16																CUC 215-47		
215-48	3																215-47		
		3 1/4	10 13/16	8 1/2	2 5/16	1 1/4	1	1 1/8	6 33/64	3.0630	1.3110	1.7520	7/8				215-48	NPP 215	17.0
		82.6	275	217	75	31	25.4	29	166	77.8	33.3	44.5					215-48		

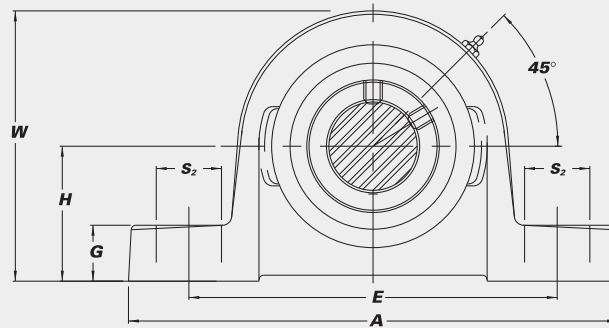
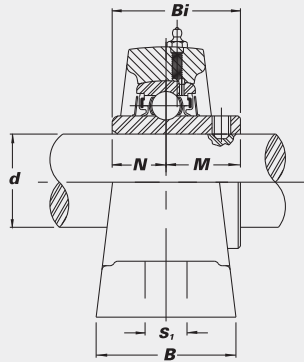
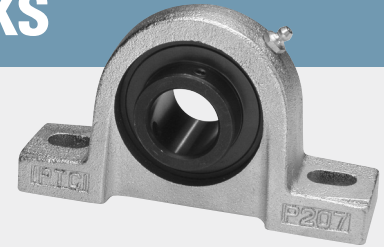
\*1 Also available 1 5/8" \*2 Also available 2 1/8"

# Nickel Plated Pillow Blocks



## With Black Oxide Bearing Inserts-BUCNPP

- High Shaft Height
- B-type Seals
- Overview of corrosion resistant products – pg. 48



Unit No.	Shaft Dia.		Dimensions (in.) (mm)										Bolt Used (in.)	Bearing No.	Housing No.	Weight (lbs.)
	d (in.)	d (mm)	H	A	E	B	S <sub>2</sub>	S <sub>1</sub>	G	W	Bi	N				
BUCNPP 201-8	1/2	13/16	47/8	35/8	17/16	3/4	7/16	17/32	223/64	1.0236	0.3937	0.6299	3/8	BUCW 201-8	NPP 203	1.5
BUCNPP 202-10	5/8	30.2	124	92	37	19	11	13	60	26.0	10.0	16.0	3/8	BUC 202-10	NPP 204	1.6
BUCNPP 204-12	3/4	19/16	5	33/4	1 1/2	11/16	7/16	9/16	219/32	1.2205	0.5000	0.7205	3/8	BUC 204-12	NPP 204	1.6
BUCNPP 204		20	33.3	127	95	38	17	11	14	66	31.0	12.7	18.3	BUC 204-12	NPP 204	1.6
BUCNPP 205-14	7/8	17/16	5 1/2	4 1/8	1 1/2	11/16	1/2	5/8	227/32	1.3386	0.5630	0.7756	3/8	BUC 205-14	NPP 205	2.0
BUCNPP 205		25	36.5	140	105	38	17	13	16	72	34.0	14.3	19.7	BUC 205-14	NPP 205	2.0
BUCNPP 205-16	1													BUC 205-16	NPP 205	2.0
BUCNPP 206-18	1 1/8	1 11/16*	6 9/16	4 3/4	1 3/4	13/16	9/16	1 1/16	319/64	1.5000	0.6260	0.8740	1/2	BUC 206-18	NPP 206	3.0
BUCNPP 206		30	42.9	160	121	44	21	14	18	84	38.1	15.9	22.2	BUC 206-18	NPP 206	3.0
BUCNPP 206-19	1 3/16													BUC 206-19	NPP 206	3.0
BUCNPP 206-20	1 1/4 S													BUC 206-20	NPP 206	3.0
BUCNPP 207-20	1 1/4	1 7/8	6 11/32	5	1 29/32	7/8	9/16	3/4	311/16	1.6890	0.6890	1.0000	1/2	BUC 207-20	NPP 207	4.0
BUCNPP 207-22	1 3/8	47.6	166	127	48	22	14	19	94	42.9	17.5	25.4	1/2	BUC 207-22	NPP 207	4.0
BUCNPP 207		35	47.6	166	127	48	22	14	19	94	42.9	17.5	25.4	BUC 207-22	NPP 207	4.0
BUCNPP 207-23	1 7/16													BUC 207-23	NPP 207	4.0
BUCNPP 208-24	1 1/2	1 15/16*	7 1/8	5 7/16	2	7/8	9/16	13/16	4	1.9370	0.7480	1.1890	1/2	BUC 208-24	NPP 208	5.0
BUCNPP 208		40	49.2	181	137	51	22	14	21	102	49.2	19.0	30.2	BUC 208-24	NPP 208	5.0
BUCNPP 209-26	1 5/8	2 1/8	7 1/2	5 3/4	2 1/8	13/16	19/32	7/8	417/64	1.9370	0.7480	1.1890	1/2	BUC 209-26	NPP 209	5.7
BUCNPP 209-27	1 11/16	54.0	190	146	54	21	15	22	109	49.2	19.0	30.2	1/2	BUC 209-26	NPP 209	5.7
BUCNPP 209-28	1 3/4													BUC 209-28	NPP 209	5.7
BUCNPP 209		45	54.0	190	146	54	21	15	22	109	49.2	19.0	30.2	BUC 209-28	NPP 209	5.7
BUCNPP 210-30	1 7/8	2 1/4	8	6 1/4	2 1/4	15/16	23/32	15/16	433/64	2.0315	0.7480	1.2835	5/8	BUC 210-30	NPP 210	6.8
BUCNPP 210-31	1 15/16	57.2	203	159	57	24	18	24	115	51.6	19.0	32.6	5/8	BUC 210-31	NPP 210	6.8
BUCNPP 210		50	57.2	203	159	57	24	18	24	115	51.6	19.0	32.6	BUC 210-31	NPP 210	6.8
BUCNPP 210-32	2 S													BUC 210-32	NPP 210	6.8
BUCNPP 211-32	2	2 1/2	8 5/8	6 7/8	2 3/8	15/16	23/32	1 1/16	5 1/32	2.1890	0.8740	1.3150	5/8	BUC 211-32	NPP 211	8.8
BUCNPP 211		55	63.5	220	174	60	24	18	27	128	55.6	22.2	33.4	BUC 211-32	NPP 211	8.8
BUCNPP 211-35	2 3/16													BUC 211-35	NPP 211	8.8
BUCNPP 212-36	2 1/4	2 3/4	9 17/32	7 11/32	2 1/2	1	25/32	1 1/16	5 33/64	2.5630	1.0000	1.5630	5/8	BUC 212-36	NPP 212	11.2
BUCNPP 212		60	69.8	242	187	64	25.4	20	27	140	65.1	25.4	39.7	BUC 212-36	NPP 212	11.2
BUCNPP 212-39	2 7/16													BUC 212-39	NPP 212	11.2
BUCNPP 213-40	2 1/2	3	10 3/4	8 1/8	2 11/16	13/16	13/16	1 1/8	6 1/32	2.5630	1.0000	1.5630	7/8	BUC 213-40	NPP 213	14.1
BUCNPP 213-40		76.2	273	206	68	30	20	28	153	65.1	25.4	39.7	7/8	BUC 213-40	NPP 213	14.1
BUCNPP 215-47	2 15/16	3 1/4	10 13/16	8 1/2	2 15/16	1 1/4	1	1 1/8	6 33/64	3.0630	1.3110	1.7520	7/8	BUC 215-47	NPP 215	17.0
BUCNPP 215-48	3	82.6	275	217	75	31	25.4	29	166	77.8	33.3	44.5	7/8	BUC 215-47	NPP 215	17.0

\*1 Also available 1 5/8"  
\*2 Also available 2 1/8"

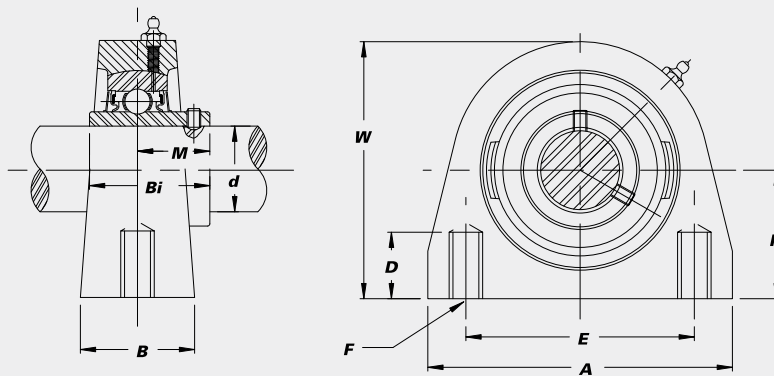
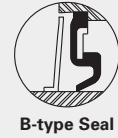
CORROSION RESISTANT

# Nickel Plated Tapped Base Pillow Blocks



## With optional bearing inserts: Stainless Steel-SUCNPPA Hard Chrome Coated-CUCNPPA

- B-type Seals
- Available with locking collar bearings. Please ask.
- Overview of corrosion resistant products – pg. 48



CORROSION RESISTANT

Unit No.	Shaft Dia.		Dimensions (in.) (mm)								Bearing No.	Housing No.	Weight (lbs.)
	d (in.)	d (mm)	H	A	E	B	W	F-Tapped Holes	D-Min Tap Depth	M			

### SUCNPPA with Stainless Steel Bearing Inserts

SUCNPPA 201-8	1/2											SUC 201-8		
202-10	5/8	15/16	27/8	2	1 1/2	2 9/16	3/8"-16	1/2	0.7205	1.2205	SUC 201-8			
204-12	3/4	33.3	73	50.8	38	65	UNC	13	18.3	31.0	NPPA 204	204	1.4	
204	20													
SUCNPPA 205-14	7/8											SUC 205-14		
205	25	17/16	3	2	1 1/2	2 13/16	3/8"-16	1/2	0.7756	1.3386	SUC 205-14			
205-16	1	36.5	76	50.8	38	71	UNC	13	19.7	34.0	NPPA 205	205	1.6	
205-16	205-16													
SUCNPPA 206-18	1 1/8											SUC 206-18		
206	30	1 11/16	4	3	1 1/2	3 3/8	7/16"-14	5/8	0.8740	1.5000	SUC 206-18			
206-19	1 3/16	42.9	102	76.2	38	86	UNC	16	22.2	38.1	NPPA 206	206	2.6	
206-20	1 1/4 S													
SUCNPPA 207-20	1 1/4											SUC 207-20		
207-21	1 5/16											SUC 207-20		
207-22	1 3/8	17/8	4 1/4	3 1/4	1 7/8	3 3/4	1/2"-13	3/4	1.0000	1.6890	NPPA 207	207	3.6	
207	35	47.6	108	82.6	48	95	UNC	19	25.4	42.9				
207-23	1 7/16													
SUCNPPA 208-24	1 1/2											SUC 208-24		
208	40	1 15/16	4 5/8	3 1/2	1 7/8	3 15/16	1/2"-13	3/4	1.1890	1.9370	SUC 208-24			
		49.2	117	88.9	48	100	UNC	19	30.2	49.2	NPPA 208	208	4.0	
SUCNPPA 209-27	1 11/16											SUC 209-27		
209-28	1 3/4	2 1/8	5	3 3/4	2	4 1/4	1/2"-13	3/4	1.1890	1.9370	SUC 209-27			
209	45	54.0	127	95.3	51	108	UNC	19	30.2	49.2	NPPA 209	209	5.0	
SUCNPPA 210-31	1 5/16											SUC 210-31		
210	50	2 1/4	5 1/2	4	2	4 5/8	5/8"-11	7/8	1.2835	2.0315	SUC 210-31			
210-32	2s	57.2	140	101.6	51	117	UNC	22	32.6	51.6	NPPA 210	210	5.9	

### CUCNPPA with Hard Chrome Coated Bearing Inserts

CUCNPPA 204-12	3/4											CUC 204-12		
204	20	15/16	27/8	2	1 1/2	2 9/16	3/8"-16	1/2	0.7205	1.2205	CUC 204-12			
		33.3	73	50.8	38	65	UNC	13	18.3	31.0	NPPA 204	204	1.4	
CUCNPPA 205-14	7/8											CUC 205-14		
205	25	17/16	3	2	1 1/2	2 13/16	3/8"-16	1/2	0.7756	1.3386	CUC 205-14			
205-16	1	36.5	76	50.8	38	71	UNC	13	19.7	34.0	NPPA 205	205	1.6	
CUCNPPA 206-18	1 1/8											CUC 206-18		
206	30	1 11/16	4	3	1 1/2	3 3/8	7/16"-14	5/8	0.8740	1.5000	CUC 206-18			
206-19	1 3/16	42.9	102	76.2	38	86	UNC	16	22.2	38.1	NPPA 206	206	2.6	
206-20	1 1/4 S													
CUCNPPA 207-20	1 1/4											CUC 207-20		
207-22	1 3/8	17/8	4 1/4	3 1/4	1 7/8	3 3/4	1/2"-13	3/4	1.0000	1.6890	CUC 207-20			
207	35	47.6	108	82.6	48	95	UNC	19	25.4	42.9	NPPA 207	207	3.6	
207-23	1 7/16													
CUCNPPA 208-24	1 1/2											CUC 208-24		
208	40	1 15/16	4 5/8	3 1/2	1 7/8	3 15/16	1/2"-13	3/4	1.1890	1.9370	CUC 208-24			
		49.2	117	88.9	48	100	UNC	19	30.2	49.2	NPPA 208	208	4.0	
CUCNPPA 209-27	1 11/16											CUC 209-27		
209-28	1 3/4	2 1/8	5	3 3/4	2	4 1/4	1/2"-13	3/4	1.1890	1.9370	CUC 209-27			
209	45	54.0	127	95.3	51	108	UNC	19	30.2	49.2	NPPA 209	209	5.0	
CUCNPPA 210-31	1 5/16											CUC 210-31		
210	50	2 1/4	5 1/2	4	2	4 5/8	5/8"-11	7/8	1.2835	2.0315	CUC 210-31			
210-32	2s	57.2	140	101.6	51	117	UNC	22	32.6	51.6	NPPA 210	210	5.9	

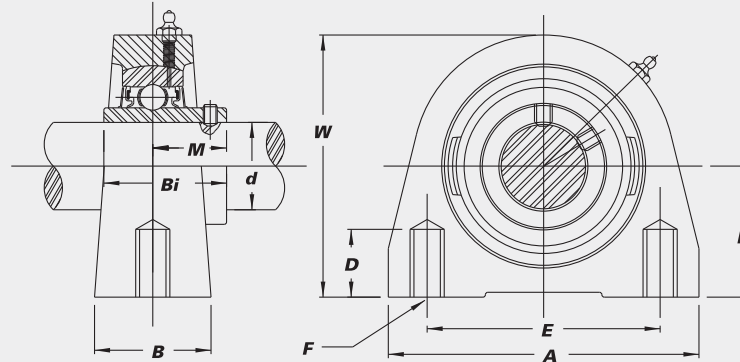
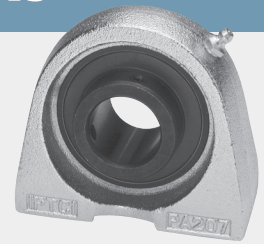
# Nickel Plated Tapped Base Pillow Blocks



## With Black Oxide Bearing Inserts-BUCNPPA

• B-type Seals

• Overview of corrosion resistant products – pg. 48



CORROSION RESISTANT

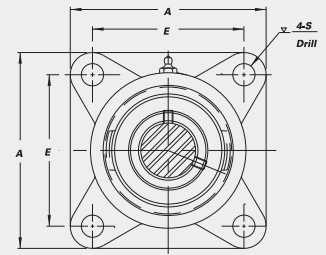
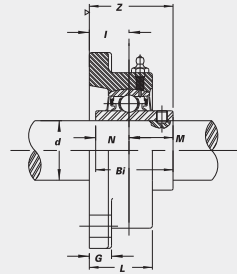
Unit No.	Shaft Dia.		Dimensions (in.) (mm)									Bearing No.	Housing No.	Weight (lbs.)	
	d (in.)	d (mm)	H	A	E	B	W	F-Tapped Holes	D-Min Tap Depth	M	Bi				
BUCNPPA 201-8	1/2												BUC 201-8		
202-10	5/8		1 <sup>5</sup> / <sub>16</sub>	2 <sup>7</sup> / <sub>8</sub>	2	1 <sup>1</sup> / <sub>2</sub>	2 <sup>9</sup> / <sub>16</sub>	3/8"-16	1/2	0.7205	1.2205	BUC 202-10			
204-12	3/4		33.3	73	50.8	38	65	UNC	13	18.3	31.0	204-12	NPPA 204	1.4	
204		20										204			
BUCNPPA 205-14	7/8												BUC 205-14		
205		25	17 <sup>1</sup> / <sub>16</sub>	3	2	1 <sup>1</sup> / <sub>2</sub>	2 <sup>13</sup> / <sub>16</sub>	3/8"-16	1/2	0.7756	1.3386	205	NPPA 205	1.6	
205-16	1		36.5	76	50.8	38	71	UNC	13	19.7	34.0	205-16			
BUCNPPA 206-18	1 <sup>1</sup> / <sub>8</sub>												BUC 206-18		
206		30	1 <sup>11</sup> / <sub>16</sub>	4	3	1 <sup>1</sup> / <sub>2</sub>	3 <sup>3</sup> / <sub>8</sub>	7/16"-14	5/8	0.8740	1.5000	206	NPPA 206	2.6	
206-19	1 <sup>3</sup> / <sub>16</sub>		42.9	102	76.2	38	86	UNC	16	22.2	38.1	206-19			
206-20	1 <sup>1</sup> / <sub>4</sub> S											206-20			
BUCNPPA 207-20	1 <sup>1</sup> / <sub>4</sub>												BUC 207-20		
207-22	1 <sup>3</sup> / <sub>8</sub>		17 <sup>7</sup> / <sub>8</sub>	4 <sup>1</sup> / <sub>4</sub>	3 <sup>3</sup> / <sub>4</sub>	1 <sup>7</sup> / <sub>8</sub>	3 <sup>3</sup> / <sub>4</sub>	1 <sup>1</sup> / <sub>2</sub> "-13	3/4	1.0000	1.6890	207-22	NPPA 207	3.6	
207		35	47.6	108	82.6	48	95	UNC	19	25.4	42.9	207			
207-23	1 <sup>7</sup> / <sub>16</sub>											207-23			
BUCNPPA 208-24	1 <sup>1</sup> / <sub>2</sub>												BUC 208-24		
208		40	1 <sup>15</sup> / <sub>16</sub>	4 <sup>5</sup> / <sub>8</sub>	3 <sup>1</sup> / <sub>2</sub>	1 <sup>7</sup> / <sub>8</sub>	3 <sup>15</sup> / <sub>16</sub>	1 <sup>1</sup> / <sub>2</sub> "-13	3/4	1.1890	1.9370	208	NPPA 208	4.0	
BUCNPPA 209-26	1 <sup>5</sup> / <sub>8</sub>												BUC 209-26		
209-27	1 <sup>11</sup> / <sub>16</sub>		2 <sup>1</sup> / <sub>8</sub>	5	3 <sup>3</sup> / <sub>4</sub>	2	4 <sup>1</sup> / <sub>4</sub>	1 <sup>1</sup> / <sub>2</sub> "-13	3/4	1.1890	1.9370	209-27	NPPA 209	5.0	
209-28	1 <sup>3</sup> / <sub>4</sub>		54.0	127	95.3	51	108	UNC	19	30.2	49.2	209-28			
209		45										209			
BUCNPPA 210-30	1 <sup>7</sup> / <sub>8</sub>												BUC 210-30		
210-31	1 <sup>15</sup> / <sub>16</sub>		2 <sup>1</sup> / <sub>4</sub>	5 <sup>1</sup> / <sub>2</sub>	4	2	4 <sup>5</sup> / <sub>8</sub>	5/8"-11	7/8	1.2835	2.0315	210-31	NPPA 210	5.9	
210		50	57.2	140	101.6	51	117	UNC	22	32.6	51.6	210			
210-32	2S											210-32			

# Nickel Plated 4-Bolt Flanges



**With optional bearing inserts:  
Stainless Steel-SUCNPF  
Hard Chrome Coated-CUCNPF**

- B-type seals
- Available with locking collar bearings. Please ask.
- Overview of corrosion resistant products – pg. 48



CORROSION RESISTANT

Unit No.	Shaft Dia.		Dimensions (in.) (mm)									Bolt Used (in.)	Bearing No.	Housing No.	Weight (lbs.)
	d (in.)	d (mm)	A	E	I	G	L	S	Z	Bi	N				

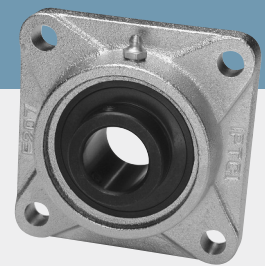
## SUCNPF with Stainless Steel Bearing Inserts

SUCNPF 201-8 202-10 204-12 204	1/2 5/8 3/4	20	3 3/8 86	2 1/2 64	1 9/32 15	7/16 11	1 25.4	7/16 11	1 5/16 33.3	1.2205 31.0	0.5000 12.7	0.7205 18.3	3/8	SUC 201-8 202-10 204-12 204	NPF 204	1.4
SUCNPF 205-14 205 205-16	7/8 1	25	3 3/4 95	2 3/4 70	5/8 16	1/2 13	1 1/16 27	2 9/64 11.5	1 13/32 35.7	1.3386 34.0	0.5630 14.3	0.7756 19.7	3/8	SUC 205-14 205 205-16	NPF 205	1.9
SUCNPF 206-18 206 206-19 206-20	1 1/8 1 3/16 1 1/4 S	30	4 1/4 108	3 1/4 83	4 5/64 18	1/2 13	1 7/32 31	3 3/64 13	1 19/32 40.2	1.5000 38.1	0.6260 15.9	0.8740 22.2	7/16	SUC 206-18 206 206-19 206-20	NPF 206	2.4
SUCNPF 207-20 207-21 207-22 207 207-23	1 1/4 1 5/16 1 3/8 1 7/16	35	4 19/32 117	3 5/8 92	3/4 19	1 9/32 15	1 11/32 34	3 3/64 13	1 3/4 44.4	1.6890 42.9	0.6890 17.5	1.0000 25.4	7/16	SUC 207-20 207-21 207-22 207 207-23	NPF 207	3.3
SUCNPF 208-24 208	1 1/2	40	5 1/8 130	4 102	5 3/64 21	1 9/32 15	1 13/32 36	3 5/64 14	2 1/32 51.2	1.9370 49.2	0.7480 19.0	1.1890 30.2	1/2	SUC 208-24 208	NPF 208	4.2
SUCNPF 209-27 209-28 209	1 11/16 1 3/4	45	5 13/32 137	4 1/8 105	5 5/64 22	5/8 16	1 1/2 38	5/8 16	2 1/16 52.2	1.9370 49.2	0.7480 19.0	1.1890 30.2	9/16	SUC 209-27 209-28 209	NPF 209	5.2
SUCNPF 210-31 210 210-32	1 5/16 2 S	50	5 5/8 143	4 3/8 111	5 5/64 22	5/8 16	1 9/16 40	5/8 16	2 5/32 54.6	2.0315 51.6	0.7480 19.0	1.2835 32.6	9/16	SUC 210-31 210 210-32	NPF 210	5.6
SUCNPF 211-32 211-35	2 2 2/16	60	6 3/8 162	5 1/8 130	6 3/64 25	2 3/32 18	1 11/16 43	4 3/64 17	2 5/16 58.4	2.1890 55.6	0.8740 22.2	1.3150 33.4	5/8	SUC 211-32 211-35	NPF 211	7.7
SUCNPF 212-36 212-39	2 1/4 2 7/16	70	6 7/8 175	5 5/8 143	1 9/64 29	2 3/32 18	1 7/8 48	4 3/64 17	2 23/32 68.7	2.5630 65.1	1.0000 25.4	1.5630 39.7	5/8	SUC 212-36 212-39	NPF 212	9.4

## CUCNPF with Hard Chrome Coated Bearing Inserts

CUCNPF 204-12 204	3/4	20	3 3/8 86	2 1/2 64	1 9/32 15	7/16 11	1 25.4	7/16 11	1 5/16 33.3	1.2205 31.0	0.5000 12.7	0.7205 18.3	3/8	CUC 204-12 204	NPF 204	1.4
CUCNPF 205-14 205 205-16	7/8 1	25	3 3/4 95	2 3/4 70	5/8 16	1/2 13	1 1/16 27	2 9/64 11.5	1 13/32 35.7	1.3386 34.0	0.5630 14.3	0.7756 19.7	3/8	CUC 205-14 205 205-16	NPF 205	1.9
CUCNPF 206-18 206 206-19 206-20	1 1/8 1 3/16 1 1/4 S	30	4 1/4 108	3 1/4 83	4 5/64 18	1/2 13	1 7/32 31	3 3/64 13	1 19/32 40.2	1.5000 38.1	0.6260 15.9	0.8740 22.2	7/16	CUC 206-18 206 206-19 206-20	NPF 206	2.4
CUCNPF 207-20 207-22 207 207-23	1 1/4 1 5/16 1 3/8 1 7/16	35	4 19/32 117	3 5/8 92	3/4 19	1 9/32 15	1 11/32 34	3 3/64 13	1 3/4 44.4	1.6890 42.9	0.6890 17.5	1.0000 25.4	7/16	CUC 207-20 207-22 207 207-23	NPF 207	3.3
CUCNPF 208-24 208	1 1/2	40	5 1/8 130	4 102	5 3/64 21	1 9/32 15	1 13/32 36	3 5/64 14	2 1/32 51.2	1.9370 49.2	0.7480 19.0	1.1890 30.2	1/2	CUC 208-24 208	NPF 208	4.2
CUCNPF 209-27 209-28 209	1 11/16 1 3/4	45	5 13/32 137	4 1/8 105	5 5/64 22	5/8 16	1 1/2 38	5/8 16	2 1/16 52.2	1.9370 49.2	0.7480 19.0	1.1890 30.2	9/16	CUC 209-27 209-28 209	NPF 209	5.2
CUCNPF 210-31 210 210-32	1 5/16 2 S	50	5 5/8 143	4 3/8 111	5 5/64 22	5/8 16	1 9/16 40	5/8 16	2 5/32 54.6	2.0315 51.6	0.7480 19.0	1.2835 32.6	9/16	CUC 210-31 210 210-32	NPF 210	5.6
CUCNPF 211-32 211-35	2 2 2/16	60	6 3/8 162	5 1/8 130	6 3/64 25	2 3/32 18	1 11/16 43	4 3/64 17	2 5/16 58.4	2.1890 55.6	0.8740 22.2	1.3150 33.4	5/8	CUC 211-32 211-35	NPF 211	7.7
CUCNPF 212-36 212-39	2 1/4 2 7/16	70	6 7/8 175	5 5/8 143	1 9/64 29	2 3/32 18	1 7/8 48	4 3/64 17	2 23/32 68.7	2.5630 65.1	1.0000 25.4	1.5630 39.7	5/8	CUC 212-36 212-39	NPF 212	9.4
CUCNPF 213-40	2 1/2	80	7 3/8 187	5 7/8 143	1 3/16 30	7/8 22	1 31/32 50	4 3/64 17	2 3/4 69.7	2.5630 65.1	1.0000 25.4	1.5630 39.7	5/8	CUC 213-40	NPF 213	12.9
CUCNPF 215-47 215-48	2 5/16 3	90	7 7/8 200	6 1/4 159	1 11/32 34	7/8 22	2 1/32 56	3/4 19	3 3/32 78.5	3.0630 77.8	1.3110 33.3	1.7520 44.5	1 1/16	CUC 215-47 215-48	NPF 215	15.0

# Nickel Plated 4-Bolt Flanges

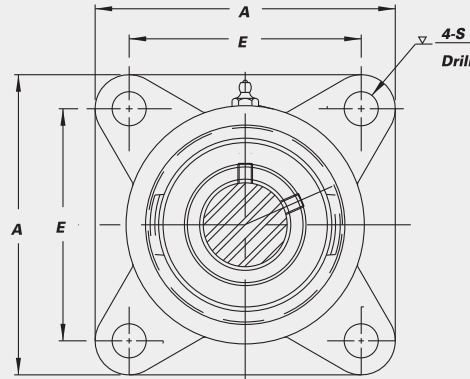
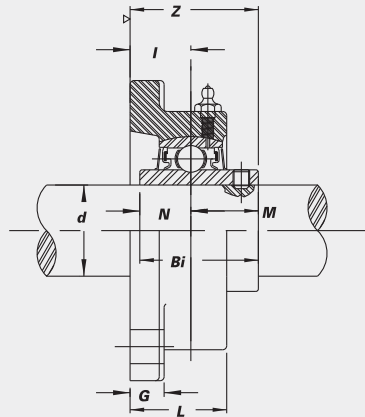


B-type Seal

## With Black Oxide Bearing Inserts-BUCNPF

• B-type seals

• Overview of corrosion resistant products – pg. 48

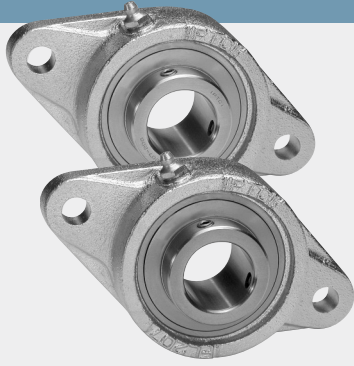


Unit No.	Shaft Dia.		Dimensions (in.) (mm)										Bolt Used (in.)	Bearing No.	Housing No.	Weight (lbs.)
	d (in.)	d (mm)	A	E	I	G	L	S	Z	Bi	N	M				
BUCNPF 201-8	1/2	3	2 1/8	2 1/8	2 1/8	3/8	1 3/32	7/16	1 9/32	1.0236	0.3937	0.6299	3/8	BUCW 201-8	NPF 203	1.2
BUCNPF 202-10	5/8	76	54	54	16.7	10	28	11	32.7	26.0	10.0	16.0	3/8	BUC 202-10	NPF 203	1.2
BUCNPF 204-12	3/4	20	3 3/8	2 1/2	19/32	7/16	1	7/16	1 5/16	1.2205	0.5000	0.7205	3/8	BUC 204-12	NPF 204	1.4
BUCNPF 204			86	64	15	11	25.4	11	33.3	31.0	12.7	18.3				
BUCNPF 205-14	7/8	25	3 3/4	2 3/4	5/8	1/2	1 1/16	29/64	1 13/32	1.3386	0.5630	0.7756	3/8	BUC 205-14	NPF 205	1.9
BUCNPF 205			95	70	16	13	27	11.5	35.7	34.0	14.3	19.7		BUC 205-16	NPF 205	1.9
BUCNPF 205-16	1															
BUCNPF 206-18	1 1/8	30	4 1/4	3 1/4	45/64	1/2	1 7/32	33/64	1 19/32	1.5000	0.6260	0.8740	7/16	BUC 206-18	NPF 206	2.4
BUCNPF 206			108	83	18	13	31	13	40.2	38.1	15.9	22.2		BUC 206-19	NPF 206	2.4
BUCNPF 206-19	1 3/16															
BUCNPF 206-20	1 1/4 S															
BUCNPF 207-20	1 1/4	35	4 19/32	3 5/8	3/4	19/32	1 11/32	33/64	1 3/4	1.6890	0.6890	1.0000	7/16	BUC 207-20	NPF 207	3.3
BUCNPF 207-22	1 3/8		117	92	19	15	34	13	44.4	42.9	17.5	25.4		BUC 207-22	NPF 207	3.3
BUCNPF 207																
BUCNPF 207-23	1 7/16															
BUCNPF 208-24	1 1/2	40	5 1/8	4	53/64	19/32	1 13/32	35/64	2 1/32	1.9370	0.7480	1.1890	1/2	BUC 208-24	NPF 208	4.2
BUCNPF 208			130	102	21	15	36	14	51.2	49.2	19.0	30.2				
BUCNPF 209-26	1 5/8	45	5 13/32	4 1/8	55/64	5/8	1 1/2	5/8	2 1/16	1.9370	0.7480	1.1890	9/16	BUC 209-26	NPF 209	5.2
BUCNPF 209-27	1 11/16		137	105	22	16	38	16	52.2	49.2	19.0	30.2		BUC 209-27	NPF 209	5.2
BUCNPF 209-28	1 3/4															
BUCNPF 209																
BUCNPF 210-30	1 7/8	50	5 5/8	4 3/8	55/64	5/8	1 9/16	5/8	2 5/32	2.0315	0.7480	1.2835	9/16	BUC 210-30	NPF 210	5.6
BUCNPF 210-31	1 15/16		143	111	22	16	40	16	54.6	51.6	19.0	32.6		BUC 210-31	NPF 210	5.6
BUCNPF 210																
BUCNPF 210-32	2 S															
BUCNPF 211-32	2	55	6 3/8	5 1/8	63/64	23/32	1 11/16	43/64	2 5/16	2.1890	0.8740	1.3150	5/8	BUC 211-32	NPF 211	7.7
BUCNPF 211			162	130	25	18	43	17	58.4	55.6	22.2	33.4		BUC 211-35	NPF 211	7.7
BUCNPF 211-35	2 3/16															
BUCNPF 212-36	2 1/4	60	6 7/8	5 5/8	1 9/64	23/32	1 7/8	43/64	2 23/32	2.5630	1.0000	1.5630	5/8	BUC 212-36	NPF 212	9.4
BUCNPF 212			175	143	29	18	48	17	68.7	65.1	25.4	39.7		BUC 212-39	NPF 212	9.4
BUCNPF 212-39	2 7/16															
BUCNPF 213-40	2 1/2	60	7 3/8	5 7/8	1 3/16	7/8	1 31/32	43/64	2 3/4	2.5630	1.0000	1.5630	5/8	BUC 213-40	NPF 213	12.9
BUCNPF 213-40			187	143	30	22	50	17	69.7	65.1	25.4	39.7				
BUCNPF 215-47	2 15/16	60	7 7/8	6 1/4	1 11/32	7/8	2 7/32	3/4	3 3/32	3.0630	1.3110	1.7520	11/16	BUC 215-47	NPF 215	15.0
BUCNPF 215-48	3		200	159	34	22	56	19	78.5	77.8	33.3	44.5		BUC 215-48	NPF 215	15.0

CORROSION RESISTANT

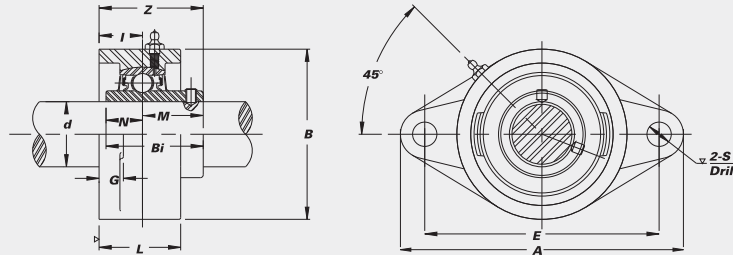


# Nickel Plated 2-Bolt Flanges



## With optional bearing inserts: Stainless Steel-SUCNPFL Hard Chrome Coated-CUCNPFL

- B-type seals
- Available with locking collar bearings. Please ask.
- Overview of corrosion resistant products – pg. 48



CORROSION RESISTANT

Unit No.	Shaft Dia.		Dimensions (in.) (mm)										Bolt Used	Bearing No.	Housing No.	Weight (lbs.)
	d	d	A	E	I	G	L	S	B	Z	Bi	N				

### SUCNPFL with Stainless Steel Bearing Inserts

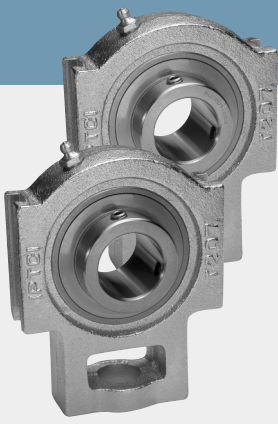
SUCNPFL 201-8	1/2														SUC 201-8		
202-10	5/8	20	47/16	317/32	19/32	7/16	1	25/64	23/8	19/16	1.2205	0.5000	0.7205	5/16	202-10		
204-12	3/4		113	89.7	15	11	25	10	60	33.3	31.0	12.7	18.3	204-12	NPFL 204	1.0	
204														204			
SUCNPFL 205-14	7/8	25	51/8	357/64	5/8	1/2	11/16	15/32	211/16	115/32	1.3386	0.5630	0.7756	3/8	SUC 205-14		
205			130	98.8	16	13	27	11.9	68	37.3	34.0	14.3	19.7	205	NPFL 205	1.5	
205-16	1													205-16			
SUCNPFL 206-18	1 1/8	30	513/16	419/32	45/64	1/2	17/32	15/32	35/32	119/32	1.5000	0.6260	0.8740	3/8	SUC 206-18		
206			148	116.7	18	13	31	11.9	80	40.5	38.1	15.9	22.2	206	NPFL 206	2.2	
206-19	1 3/16													206-19			
206-20	1 1/4 S													206-20			
SUCNPFL 207-20	1 1/4	35	611/32	51/8	3/4	9/16	111/32	33/64	317/32	13/4	1.6890	0.6890	1.0000	7/16	SUC 207-20		
207-21	1 5/16		161	130.2	19	14	34	13	90	44.5	42.9	17.5	25.4	207-21	NPFL 207	2.9	
207-22	1 3/8													207-22			
207														207			
207-23	1 7/16													207-23			
SUCNPFL 208-24	1 1/2	40	67/8	521/32	53/64	9/16	113/32	33/64	315/16	2	1.9370	0.7480	1.1890	7/16	SUC 208-24		
208			175	143.7	21	14	36	13	100	50.8	49.2	19.0	30.2	208	NPFL 208	3.5	
SUCNPFL 209-27	1 11/16	45	713/32	527/32	55/64	19/32	11/2	19/32	41/4	21/16	1.9370	0.7480	1.1890	1/2	SUC 209-27		
209-28	1 3/4		188	148.4	22	15	38	15	108	52.4	49.2	19.0	30.2	209-28	NPFL 209	4.4	
209														209			
SUCNPFL 210-31	1 15/16	50	73/4	63/16	55/64	19/32	19/16	19/32	417/32	25/32	2.0315	0.7480	1.2835	1/2	SUC 210-31		
210			197	157	22	15	40	15	115	54.8	51.6	19.0	32.6	210	NPFL 210	5.1	
210-32	2 S													210-32			
SUCNPFL 211-32	2		813/16	71/4	63/64	23/32	111/16	41/64	51/8	25/16	2.1890	0.8740	1.3150	9/16	SUC 211-32		
211-35	2 3/16		224	184	25	18	43	16.3	130	58.7	55.6	22.2	33.4	211-35	NPFL 211	7.3	
SUCNPFL 212-36	2 1/4		927/32	715/16	19/64	23/32	17/8	41/64	51/2	223/32	2.5630	1.0000	1.5630	9/16	SUC 212-36		
212-39	2 7/16		250	201.6	29	18	48	16.3	140	69.1	65.1	25.4	39.7	212-39	NPFL 212	9.5	

### CUCNPFL with Hard Chrome Coated Bearing Inserts

CUCNPFL 204-12	3/4	20	47/16	317/32	19/32	7/16	1	25/64	23/8	19/16	1.2205	0.5000	0.7205	5/16	CUC 204-12		
204			113	89.7	15	11	25	10	60	33.3	31.0	12.7	18.3	204	NPFL 204	1.0	
CUCNPFL 205-14	7/8	25	51/8	357/64	5/8	1/2	11/16	15/32	211/16	115/32	1.3386	0.5630	0.7756	3/8	CUC 205-14		
205			130	98.8	16	13	27	11.9	68	37.3	34.0	14.3	19.7	205	NPFL 205	1.5	
205-16	1													205-16			
CUCNPFL 206-18	1 1/8	30	513/16	419/32	45/64	1/2	17/32	15/32	35/32	119/32	1.5000	0.6260	0.8740	3/8	CUC 206-18		
206			148	116.7	18	13	31	11.9	80	40.5	38.1	15.9	22.2	206	NPFL 206	2.2	
206-19	1 3/16													206-19			
206-20	1 1/4 S													206-20			
CUCNPFL 207-20	1 1/4	35	611/32	51/8	3/4	9/16	111/32	33/64	317/32	13/4	1.6890	0.6890	1.0000	7/16	CUC 207-20		
207-22	1 3/8		161	130.2	19	14	34	13	90	44.5	42.9	17.5	25.4	207-22	NPFL 207	2.9	
207														207			
207-23	1 7/16													207-23			
CUCNPFL 208-24	1 1/2	40	67/8	521/32	53/64	9/16	113/32	33/64	315/16	2	1.9370	0.7480	1.1890	7/16	CUC 208-24		
208			175	143.7	21	14	36	13	100	50.8	49.2	19.0	30.2	208	NPFL 208	3.5	
CUCNPFL 209-27	1 11/16	45	713/32	527/32	55/64	19/32	11/2	19/32	41/4	21/16	1.9370	0.7480	1.1890	1/2	CUC 209-27		
209-28	1 3/4		188	148.4	22	15	38	15	108	52.4	49.2	19.0	30.2	209-28	NPFL 209	4.4	
209														209			
CUCNPFL 210-31	1 15/16	50	73/4	63/16	55/64	19/32	19/16	19/32	417/32	25/32	2.0315	0.7480	1.2835	1/2	CUC 210-31		
210			197	157	22	15	40	15	115	54.8	51.6	19.0	32.6	210	NPFL 210	5.1	
210-32	2 S													210-32			

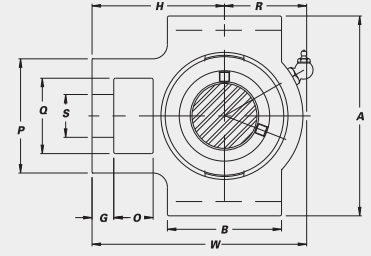
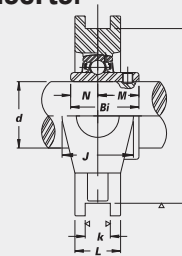


# Nickel Plated Take Up Units



Wide slot with optional bearing inserts:  
**Stainless Steel-SUCNPT**  
**Hard Chrome Coated-CUCNPT**

- B-type Seals
- Available with locking collar bearings. Please ask.
- Overview of corrosion resistant products – pg. 48



Unit No.	Shaft Dia.		Dimensions (in. / mm)																Bearing No.	Housing No.	Weight (lbs.)
	<i>d</i>	(in. / mm)	O	G	P	Q	S	B	k	E	A	W	J	L	R	H	Bi	N			

## SUCNPT with Stainless Steel Bearing Inserts

SUCNPT 201-8	1/2																			SUC 201-8		
202-10	5/8	20	5/8	13/32	2	1 1/4	3/4	2	17/32	3	3 1/2	3 11/16	1 1/4	13/16	1 5/16	2 13/32	1.2205	0.5000	0.7205	202-10	NPT 204	1.7
204-12	3/4		16	10	51	32	19	51	13.5	76.2	89	94	32	21	33	61	31.0	12.7	18.3	204-12		
204																				204		
SUCNPT 205-14	7/8	25	5/8	13/32	2	1 1/4	3/4	2	17/32	3	3 1/2	3 13/16	1 1/4	15/16	1 3/8	2 1/16	1.3386	0.5630	0.7756	SUC 205-14	NPT 205	1.9
205			16	10	51	32	19	51	13.5	76.2	89	97	32	24	35	62	34.0	14.3	19.7	205		
205-16	1																			205-16		
SUCNPT 206-18	1 1/8	30	5/8	13/32	2 1/32	1 5/32	55/64	2 1/4	17/32	3 1/2	4 1/32	4 7/16	1 5/32	1 3/32	1 11/16	2 3/4	1.5000	0.6260	0.8740	SUC 206-18	NPT 206	2.9
206			16	10	56	37	22	57	13.5	88.9	102	113	37	28	43	70	38.1	15.9	22.2	206		
206-19	1 3/16																			206-19		
206-20	1 1/4 S																			206-20		
SUCNPT 207-20	1 1/4																			SUC 207-20		
207-21	1 3/8	35	5/8	1/2	2 17/32	1 5/32	55/64	2 17/32	17/32	3 1/2	4 1/32	5 3/32	1 5/32	1 3/16	2	3 1/16	1.6890	0.6890	1.0000	207-21	NPT 207	3.5
207-22	1 3/8		16	13	64	37	22	64	13.5	88.9	102	129	37	30	51	78	42.9	17.5	25.4	207-22		
207																				207		
207-23	1 7/16																			207-23		
SUCNPT 208-24	1 1/2	40	3/4	5/8	3 3/32	1 5/16	1 9/64	3 3/32	1 11/16	4	4 1/2	5 21/32	1 5/16	1 5/16	2 1/32	3 15/32	1.9370	0.7480	1.1890	SUC 208-24	NPT 208	5.5
208			19	16	83	49	29	83	17.5	101.6	114	144	49	33	56	88	49.2	19.0	30.2	208		
SUCNPT 209-27	1 11/16	45	3/4	5/8	3 3/32	1 5/16	1 9/64	3 3/32	1 11/16	4	4 1/2	5 21/32	1 5/16	1 3/8	2 1/4	3 1/16	1.9370	0.7480	1.1890	SUC 209-27	NPT 209	5.5
209-28	1 3/4		19	16	83	49	29	83	17.5	101.6	117	144	49	35	57	87	49.2	19.0	30.2	209-28		
209																				209		
SUCNPT 210-31	1 5/8	50	3/4	5/8	3 3/32	1 5/16	1 9/64	3 3/8	1 11/16	4	4 1/2	5 7/8	1 5/16	1 5/32	2 5/16	3 17/32	2.0315	0.7480	1.2835	SUC 210-31	NPT 210	5.7
210			19	16	83	49	29	86	17.5	101.6	117	149	49	37	59	90	51.6	19.0	32.6	210		
210-32	2 S																			210-32		
SUCNPT 211-32	2	25	1	3/4	4 1/32	2 17/32	1 3/8	3 3/4	1 1/16	5 1/8	5 3/4	6 23/32	2 17/32	1 1/2	2 9/16	4 3/16	2.1890	0.8740	1.3150	SUC 211-32	NPT 211	8.8
211-35	2 3/16		25	19	102	64	35	95	27	130.2	146	171	64	38	65	106	55.6	22.2	33.4	211-35		
SUCNPT 212-36	2 1/4		1 1/4	3/4	4 1/32	2 17/32	1 3/8	4 1/32	1 1/16	5 1/8	5 3/4	7 7/8	2 17/32	1 21/32	2 5/16	4 11/16	2.5630	1.0000	1.5630	SUC 212-36	NPT 212	10.6
212-39	2 7/16		32	19	102	64	35	102	27	130.2	146	194	64	42	75	119	65.1	25.4	39.7	212-39		

## CUCNPT with Hard Chrome Coated Bearing Inserts

CUCNPT 204-12	3/4	20	5/8	13/32	2	1 1/4	3/4	2	17/32	3	3 1/2	3 11/16	1 1/4	13/16	1 5/16	2 13/32	1.2205	0.5000	0.7205	CUC 204-12	NPT 204	1.7
204			16	10	51	32	19	51	13.5	76.2	89	94	32	21	33	61	31.0	12.7	18.3	204		
CUCNPT 205-14	7/8	25	5/8	13/32	2	1 1/4	3/4	2	17/32	3	3 1/2	3 13/16	1 1/4	15/16	1 3/8	2 1/16	1.3386	0.5630	0.7756	CUC 205-14	NPT 205	1.9
205			16	10	51	32	19	51	13.5	76.2	89	97	32	24	35	62	34.0	14.3	19.7	205		
205-16	1																			205-16		
CUCNPT 206-18	1 1/8	30	5/8	13/32	2 1/32	1 5/32	55/64	2 1/4	17/32	3 1/2	4 1/32	4 7/16	1 5/32	1 3/32	1 11/16	2 3/4	1.5000	0.6260	0.8740	CUC 206-18	NPT 206	2.9
206			16	10	56	37	22	57	13.5	88.9	102	113	37	28	43	70	38.1	15.9	22.2	206		
206-19	1 3/16																			206-19		
206-20	1 1/4 S																			206-20		
CUCNPT 207-20	1 1/4																			CUC 207-20		
207-22	1 3/8	35	5/8	1/2	2 17/32	1 5/32	55/64	2 17/32	17/32	3 1/2	4 1/32	5 3/32	1 5/32	1 3/16	2	3 1/16	1.6890	0.6890	1.0000	207-22	NPT 207	3.5
207			16	13	64	37	22	64	13.5	88.9	102	129	37	30	51	78	42.9	17.5	25.4	207		
207-23	1 7/16																			207-23		
CUCNPT 208-24	1 1/2	40	3/4	5/8	3 3/32	1 5/16	1 9/64	3 3/32	1 11/16	4	4 1/2	5 21/32	1 5/16	1 5/16	2 1/32	3 15/32	1.9370	0.7480	1.1890	CUC 208-24	NPT 208	5.5
208			19	16	83	49	29	83	17.5	101.6	114	144	49	33	56	88	49.2	19.0	30.2	208		
CUCNPT 209-27	1 11/16	45	3/4	5/8	3 3/32	1 5/16	1 9/64	3 3/32	1 11/16	4	4 1/2	5 21/32	1 5/16	1 3/8	2 1/4	3 1/16	1.9370	0.7480	1.1890	CUC 209-27	NPT 209	5.5
209-28	1 3/4		19	16	83	49	29	83	17.5	101.6	117	144	49	35	57	87	49.2	19.0	30.2	209-28		
209																				209		
CUCNPT 210-31	1 5/8	50	3/4	5/8	3 3/32	1 5/16	1 9/64	3 3/8	1 11/16	4	4 1/2	5 7/8	1 5/16	1 5/32	2 5/16	3 17/32	2.0315	0.7480	1.2835	CUC 210-31	NPT 210	5.7
210			19	16	83	49	29	86	17.5	101.6	117	149	49	37	59	90	51.6	19.0	32.6	210		
210-32	2 S																			210-32		
CUCNPT 211-32	2	25	1	3/4	4 1/32	2 17/32	1 3/8	3 3/4	1 1/16	5 1/8	5 3/4	6 23/32	2 17/32	1 1/2	2 9/16	4 3/16	2.1890	0.8740	1.3150	CUC 211-32	NPT 211	8.8
211-35	2 3/16		25	19	102	64	35	95	27	130.2	146	171	64	38	65	106	55.6	22.2	33.4	211-35		
CUCNPT 212-36	2 1/4		1 1/4	3/4	4 1/32	2 17/32	1 3/8	4 1/32	1 1/16	5 1/8	5 3/4	7 7/8	2 17/32	1 21/32	2 5/16	4 11/16	2.5630	1.0000	1.5630	CUC 212-36	NPT 212	10.6
212-39	2 7/16		32	19	102	64	35	102	27	130.2	146	194	64	42	75	119	65.1	25.4	39.7	212-39		
CUCNPT 213-40	2 1/2		1 1/4	13/16	4 3/8	2 3/4	1 39/64	4 3/4	1 1/16	5 15/16	6 9/16	8 13/16	2 3/4	1 23/32	3 7/16	5 13/32	2.5630	1.0000	1.5630	CUC 213-40	NPT 213	15.2
			32	21	111	70	41	121	27	150.8	167	224	70	44	87	137	65.1	25.4	39.7			
CUCNPT 215-47	2 5/8		1 1/4	13/16	4 3/8	2 3/4	1 39/64	4 3/4	1 1/16	5 15/16	6 9/16	9 1/8	2 3/4	1 7/8	3 5/8	5 1/2	3.0630	1.3110	1.7520	CUC 215-47	NPT 215	15.9
215-48	3		32	21	111	70	41	121	27	150.8	167	232	70	48	92	140	77.8	33.3	44.5	215-48		

CORROSION RESISTANT

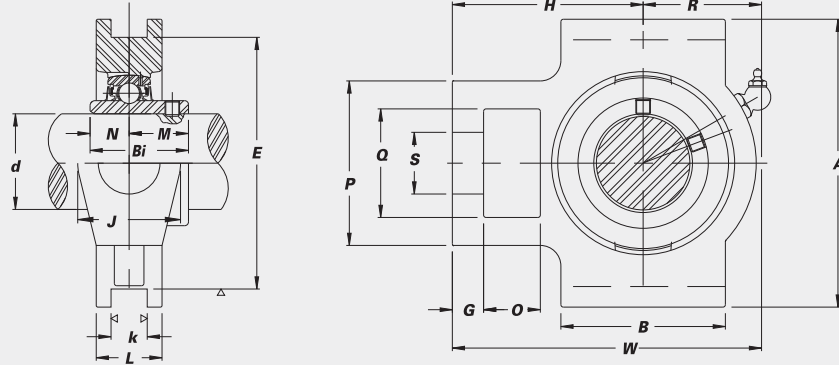
# Nickel Plated Take Up Units



## Wide slot with Black Oxide bearing insert-BUCNPT

• B-type Seals

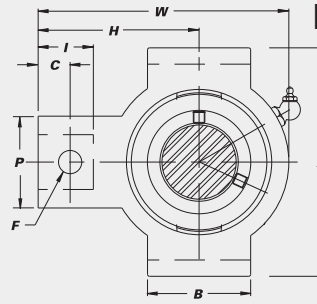
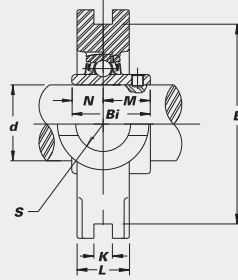
• Overview of corrosion resistant products – pg. 48



Unit No.	Shaft Dia.		Dimensions (in.) (mm)															Bearing No.	Housing No.	Weight (lbs.)			
	<i>d</i>	<i>d</i>	<i>O</i>	<i>G</i>	<i>P</i>	<i>Q</i>	<i>S</i>	<i>B</i>	<i>k</i>	<i>E</i>	<i>A</i>	<i>W</i>	<i>J</i>	<i>L</i>	<i>R</i>	<i>H</i>	<i>Bi</i>				<i>N</i>	<i>M</i>	
BUCNPT 201-8	1/2																				BUC 201-8		
202-10	5/8		5/8	13/32	2	1/4	3/4	2	17/32	3	3/2	3 11/16	1 1/4	13/16	1 5/16	2 13/32	1.2205	0.5000	0.7205	202-10			
204-12	3/4		16	10	51	32	19	51	13.5	76.2	89	94	32	21	33	61	31.0	12.7	18.3	204-12	NPT 204	1.7	
204		20																			204		
BUCNPT 205-14	7/8																				BUC 205-14		
205		25	5/8	13/32	2	1/4	3/4	2	17/32	3	3/2	3 13/16	1 1/4	1 5/16	1 3/8	2 1/16	1.3386	0.5630	0.7756	205	NPT 205	1.9	
205-16	1		16	10	51	32	19	51	13.5	76.2	89	97	32	24	35	62	34.0	14.3	19.7	205-16			
BUCNPT 206-18	1 1/8																				BUC 206-18		
206		30	5/8	13/32	2 7/32	1 15/32	55/64	2 1/4	17/32	3 1/2	4 1/32	4 7/16	1 15/32	1 3/32	1 11/16	2 3/4	1.5000	0.6260	0.8740	206	NPT 206	2.9	
206-19	1 3/16		16	10	56	37	22	57	13.5	88.9	102	113	37	28	43	70	38.1	15.9	22.2	206-19			
206-20	1 1/4 S																				206-20		
BUCNPT 207-20	1 1/4																				BUC 207-20		
207-22	1 3/8		5/8	1/2	2 17/32	1 15/32	55/64	2 17/32	17/32	3 1/2	4 1/32	5 3/32	1 15/32	1 3/16	2	3 1/16	1.6890	0.6890	1.0000	207-22	NPT 207	3.5	
207		35	16	13	64	37	22	64	13.5	88.9	102	129	37	30	51	78	42.9	17.5	25.4	207			
207-23	1 7/16																				207-23		
BUCNPT 208-24	1 1/2																				BUC 208-24		
208		40	3/4	5/8	3 3/32	1 15/16	1 5/64	3 3/32	1 11/16	4	4 1/2	5 21/32	1 15/16	1 5/16	2 7/32	3 15/32	1.9370	0.7480	1.1890	208	NPT 208	5.5	
BUCNPT 209-26	1 5/8																				BUC 209-26		
209-27	1 11/16		3/4	5/8	3 3/32	1 15/16	1 5/64	3 3/32	1 11/16	4	4 19/32	5 21/32	1 15/16	1 3/8	2 1/4	3 1/16	1.9370	0.7480	1.1890	209-27	NPT 209	5.5	
209-28	1 3/4		19	16	83	49	29	83	17.5	101.6	117	144	49	35	57	87	49.2	19.0	30.2	209-28			
209		45																			209		
BUCNPT 210-30	1 7/8																				BUC 210-30		
210-31	1 15/16		3/4	5/8	3 3/32	1 15/16	1 5/64	3 3/8	1 11/16	4	4 19/32	5 7/8	1 15/16	1 15/32	2 5/16	3 17/32	2.0315	0.7480	1.2835	210-31	NPT 210	5.7	
210		50	19	16	83	49	29	86	17.5	101.6	117	149	49	37	59	90	51.6	19.0	32.6	210			
210-32	2 S																				210-32		
BUCNPT 211-32	2																				BUC 211-32		
211		55	1	3/4	4 1/32	2 17/32	1 3/8	3 3/4	1 11/16	5 1/8	5 3/4	6 23/32	2 17/32	1 1/2	2 9/16	4 3/16	2.1890	0.8740	1.3150	211	NPT 211	8.8	
211-35	2 3/16		25	19	102	64	35	95	27	130.2	146	171	64	38	65	106	55.6	22.2	33.4	211-35			
BUCNPT 212-36	2 1/4																				BUC 212-36		
212		60	1 1/4	3/4	4 1/32	2 17/32	1 3/8	4 1/32	1 11/16	5 1/8	5 3/4	7 5/8	2 17/32	1 21/32	2 15/16	4 11/16	2.5630	1.0000	1.5630	212	NPT 212	10.6	
212-39	2 7/16		32	19	102	64	35	102	27	130.2	146	194	64	42	75	119	65.1	25.4	39.7	212-39			
BUCNPT 213-40	2 1/2																				BUC 213-40		
213-40		60	1 1/4	13/16	4 3/8	2 3/4	1 39/64	4 3/4	1 11/16	5 15/16	6 9/16	8 13/16	2 3/4	1 23/32	3 1/16	5 13/32	2.5630	1.0000	1.5630	213-40	NPT 213	15.2	
213-40			32	21	111	70	41	121	27	150.8	167	224	70	44	87	137	65.1	25.4	39.7				
BUCNPT 215-47	2 15/16																				BUC 215-47		
215-48	3		1 1/4	13/16	4 3/8	2 3/4	1 39/64	4 3/4	1 11/16	5 15/16	6 9/16	9 1/8	2 3/4	1 7/8	3 5/8	5 1/2	3.0630	1.3110	1.7520	215-47	NPT 215	15.9	
215-48			32	21	111	70	41	121	27	150.8	167	232	70	48	92	140	77.8	33.3	44.5	215-48			

CORROSION RESISTANT

# Nickel Plated Take Up Units



Narrow Slot with optional bearing inserts:  
**Stainless Steel-SUCNPTRS**  
**Hard Chrome Coated-CUCNPTRS**  
**Black Oxide-BUCNPTRS**

- B-type Seals
- Overview of corrosion resistant products – pg. 48



CORROSION RESISTANT

Unit No.	Shaft Dia.	Dimensions (in.)															Bearing No.	Housing No.	Weight (lbs.)
	d	(mm)																	
	(in.) (mm)	I	C	P	S	B	k	E	A	W	L	F	H	Bi	N	M			

## SUCNPTRS with Stainless Steel Bearing Inserts

SUCNPTRS 201-8	1/2																SUC 201-8		
202-10	5/8	7/8	7/16	1 3/8	3/4	1 1/2	1/4	2 5/8	3 1/8	3 1/2	3/4	5/16	2 3/16	1.2205	0.5000	0.7205	SUC 202-10	NPTRS 204	1.7
204-12	3/4	22	11	35	19.1	38	6.4	66.7	79.4	89	19	8	56	31.0	12.7	18.3	SUC 204-12		
204	20																SUC 204		
SUCNPTRS 205-14	7/8																SUC 205-14		
205	25	7/8	7/16	1 3/8	3/4	1 1/2	1/4	2 5/8	3 1/8	3 9/16	7/8	5/16	2 3/16	1.3386	0.5630	0.7756	SUC 205-14	NPTRS 205	1.9
205-16	1	22	11	35	19.1	38	6.4	66.7	79.4	91	22	8	56	34.0	14.3	19.7	SUC 205-16		
205	25																SUC 205		
SUCNPTRS 206-18	1 1/8																SUC 206-18		
206	30	15/16	1/2	1 3/8	7/8	2 1/2	5/16	3 1/2	4 1/8	4 5/16	15/16	5/16	2 11/16	1.5000	0.6260	0.8740	SUC 206-18	NPTRS 206	2.9
206-19	1 3/16	24	13	35	22.2	64	7.9	88.9	105	110	24	8	68	38.1	15.9	22.2	SUC 206-19		
206-20	1 1/4 S																SUC 206-20		
SUCNPTRS 207-20	1 1/4																SUC 207-20		
207-21	1 5/16																SUC 207-21	NPTRS 207	3.5
207-22	1 3/8	15/16	1/2	1 3/8	7/8	2 1/2	5/16	3 1/2	4 1/8	4 1/2	1	5/16	2 11/16	1.6890	0.6890	1.0000	SUC 207-22		
207	35	24	13	35	22.2	64	7.9	88.9	105	114	25	8	68	42.9	17.5	25.4	SUC 207		
207-23	1 7/16																SUC 207-23		
SUCNPTRS 208-24	1 1/2																SUC 208-24		
208	40	1 5/32	2 1/32	1 5/8	1 1/8	3	5/16	4	4 3/4	5 3/8	1 3/16	3/8	3 1/4	1.9370	0.7480	1.1890	SUC 208-24	NPTRS 208	5.5

## CUCNPTRS with Hard Chrome Coated Bearing Inserts

CUCNPTRS 204-12	3/4																CUC 204-12		
204	20	7/8	7/16	1 3/8	3/4	1 1/2	1/4	2 5/8	3 1/8	3 1/2	3/4	5/16	2 3/16	1.2205	0.5000	0.7205	CUC 204-12	NPTRS 204	1.7
204	20	22	11	35	19.1	38	6.4	66.7	79.4	89	19	8	56	31.0	12.7	18.3	CUC 204-8		
204	20																CUC 204		
CUCNPTRS 205-14	7/8																CUC 205-14		
205	25	7/8	7/16	1 3/8	3/4	1 1/2	1/4	2 5/8	3 1/8	3 9/16	7/8	5/16	2 3/16	1.3386	0.5630	0.7756	CUC 205-14	NPTRS 205	1.9
205-16	1	22	11	35	19.1	38	6.4	66.7	79.4	91	22	8	56	34.0	14.3	19.7	CUC 205-16		
205	25																CUC 205		
CUCNPTRS 206-18	1 1/8																CUC 206-18		
206	30	15/16	1/2	1 3/8	7/8	2 1/2	5/16	3 1/2	4 1/8	4 5/16	15/16	5/16	2 11/16	1.5000	0.6260	0.8740	CUC 206-18	NPTRS 206	2.9
206-19	1 3/16	24	13	35	22.2	64	7.9	88.9	105	110	24	8	68	38.1	15.9	22.2	CUC 206-19		
206-20	1 1/4 S																CUC 206-20		
CUCNPTRS 207-20	1 1/4																CUC 207-20		
207-22	1 3/8	15/16	1/2	1 3/8	7/8	2 1/2	5/16	3 1/2	4 1/8	4 1/2	1	5/16	2 11/16	1.6890	0.6890	1.0000	CUC 207-20	NPTRS 207	3.5
207	35	24	13	35	22.2	64	7.9	88.9	105	114	25	8	68	42.9	17.5	25.4	CUC 207-22		
207-23	1 7/16																CUC 207-23		
207	35																CUC 207		
CUCNPTRS 208-24	1 1/2																CUC 208-24		
208	40	1 5/32	2 1/32	1 5/8	1 1/8	3	5/16	4	4 3/4	5 3/8	1 3/16	3/8	3 1/4	1.9370	0.7480	1.1890	CUC 208-24	NPTRS 208	5.5

## BUCNPTRS with Black Oxide Bearing Inserts

BUCNPTRS 201-8	1/2																BUC 201-8		
202-10	5/8	7/8	7/16	1 3/8	3/4	1 1/2	1/4	2 5/8	3 1/8	3 1/2	3/4	5/16	2 3/16	1.2205	0.5000	0.7205	BUC 202-10	NPTRS 204	1.7
204-12	3/4	22	11	35	19.1	38	6.4	66.7	79.4	89	19	8	56	31.0	12.7	18.3	BUC 204-12		
204	20																BUC 204		
BUCNPTRS 205-14	7/8																BUC 205-14		
205	25	7/8	7/16	1 3/8	3/4	1 1/2	1/4	2 5/8	3 1/8	3 9/16	7/8	5/16	2 3/16	1.3386	0.5630	0.7756	BUC 205-14	NPTRS 205	1.9
205-16	1	22	11	35	19.1	38	6.4	66.7	79.4	91	22	8	56	34.0	14.3	19.7	BUC 205-16		
205	25																BUC 205		
BUCNPTRS 206-18	1 1/8																BUC 206-18		
206	30	15/16	1/2	1 3/8	7/8	2 1/2	5/16	3 1/2	4 1/8	4 5/16	15/16	5/16	2 11/16	1.5000	0.6260	0.8740	BUC 206-18	NPTRS 206	2.9
206-19	1 3/16	24	13	35	22.2	64	7.9	88.9	105	110	24	8	68	38.1	15.9	22.2	BUC 206-19		
206-20	1 1/4 S																BUC 206-20		
BUCNPTRS 207-20	1 1/4																BUC 207-20		
207-22	1 3/8	15/16	1/2	1 3/8	7/8	2 1/2	5/16	3 1/2	4 1/8	4 1/2	1	5/16	2 11/16	1.6890	0.6890	1.0000	BUC 207-20	NPTRS 207	3.5
207	35	24	13	35	22.2	64	7.9	88.9	105	114	25	8	68	42.9	17.5	25.4	BUC 207-22		
207-23	1 7/16																BUC 207-23		
207	35																BUC 207		
BUCNPTRS 208-24	1 1/2																BUC 208-24		
208	40	1 5/32	2 1/32	1 5/8	1 1/8	3	5/16	4	4 3/4	5 3/8	1 3/16	3/8	3 1/4	1.9370	0.7480	1.1890	BUC 208-24	NPTRS 208	5.5

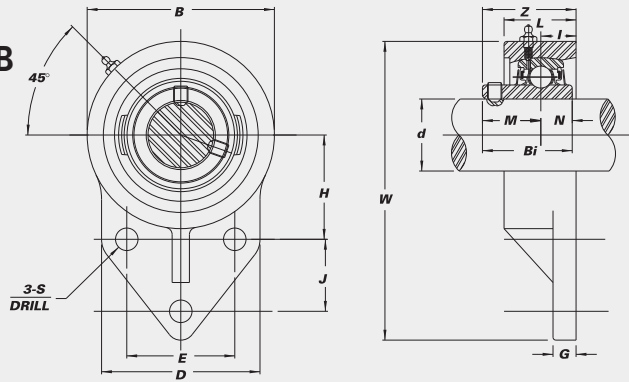
# Nickel Plated Flange Brackets

With optional bearing inserts:  
**Stainless Steel-SUCNPFB**  
**Hard Chrome Coated-CUCNPFB**  
**Black Oxide-BUCNPFB**



B-type Seal

- B-type Seals
- Overview of corrosion resistant products – pg. 48



CORROSION RESISTANT

Unit No.	Shaft Dia.		Dimensions (in.) (mm)													Bolt Used (in.)	Bearing No.	Housing No.	Weight (lbs.)	
	d		W	B	D	L	S	G	H	J	E	I	Z	Bi	N					M
	(in.)	(mm)																		

## SUCNPFB with Stainless Steel Bearing Inserts

SUCNPFB 201-8	1/2																		SUC 201-8			
202-10	5/8	4 1/4	2 1/2	2 3/8	1	25/64	5/16	1 11/16	7/8	1 1/2	5/8	1 5/16	1.2205	0.5000	0.7205	5/16			202-10			
204-12	3/4	108	64	60	25	9.9	8	43.3	22.2	38.1	16	33.3	31.0	12.7	18.3			204-12	NPFB 204	1.5		
204		20																204				
SUCNPFB 205-14	7/8	4 3/4	2 3/4	2 1/2	1 1/8	25/64	3/8	1 13/16	1 1/8	1 5/8	43/64	1 13/32	1.3386	0.5630	0.7756	5/16			SUC 205-14			
205		121	70	64	29	9.9	9.5	46.0	28.6	41.3	17	35.7	34.0	14.3	19.7			205	NPFB 205	1.5		
205-16	1																	205-16				
SUCNPFB 206-18	1 1/8	5 3/8	3 1/4	2 3/4	1 1/4	25/64	3/8	2 1/16	1 1/4	1 7/8	3/4	1 37/64	1.5000	0.6260	0.8740	5/16			SUC 206-18			
206		137	83	70	32	9.9	9.5	52.4	31.8	47.6	19	40.2	38.1	15.9	22.2			206	NPFB 206	2.0		
206-19	1 3/16																	206-19				
206-20	1 1/4 S																	206-20				
SUCNPFB 207-20	1 1/4	6 1/8	3 3/4	3 1/4	1 7/16	33/64	1/2	2 3/8	1 1/4	2	53/64	1 3/4	1.6890	0.6890	1.0000	7/16			SUC 207-20			
207-21	1 5/16	156	95	83	37	13.1	13	60.3	31.8	50.8	21	44.4	42.9	17.5	25.4			207-21	NPFB 207	2.9		
207-22	1 3/8																	207-22				
207																		207				
207-23	1 7/16																	207-23				
SUCNPFB 208-24	1 1/2	6 15/32	3 15/16	3 1/16	1 11/32	7/16	5/8	2 23/64	1 39/64	1 31/32	53/64	2 1/64	1.9370	0.7480	1.1890	3/8			SUC 208-24			
208		164	100	78	34	11.1	16	60	41	50.0	21	51.2	49.2	19.0	30.2			208	NPFB 208	4.0		

## CUCNPFB with Hard Chrome Coated Bearing Inserts

CUCNPFB 204-12	3/4	4 1/4	2 1/2	2 3/8	1	25/64	5/16	1 11/16	7/8	1 1/2	5/8	1 5/16	1.2205	0.5000	0.7205	5/16			CUC 204-12			
204		108	64	60	25	9.9	8	43.3	22.2	38.1	16	33.3	31.0	12.7	18.3			204	NPFB 204	1.5		
CUCNPFB 205-14	7/8	4 3/4	2 3/4	2 1/2	1 1/8	25/64	3/8	1 13/16	1 1/8	1 5/8	43/64	1 13/32	1.3386	0.5630	0.7756	5/16			CUC 205-14			
205		121	70	64	29	9.9	9.5	46.0	28.6	41.3	17	35.7	34.0	14.3	19.7			205	NPFB 205	1.5		
205-16	1																	205-16				
CUCNPFB 206-18	1 1/8	5 3/8	3 1/4	2 3/4	1 1/4	25/64	3/8	2 1/16	1 1/4	1 7/8	3/4	1 37/64	1.5000	0.6260	0.8740	5/16			CUC 206-18			
206		137	83	70	32	9.9	9.5	52.4	31.8	47.6	19	40.2	38.1	15.9	22.2			206	NPFB 206	2.0		
206-19	1 3/16																	206-19				
206-20	1 1/4 S																	206-20				
CUCNPFB 207-20	1 1/4	6 1/8	3 3/4	3 1/4	1 7/16	33/64	1/2	2 3/8	1 1/4	2	53/64	1 3/4	1.6890	0.6890	1.0000	7/16			CUC 207-20			
207-22	1 3/8	156	95	83	37	13.1	13	60.3	31.8	50.8	21	44.4	42.9	17.5	25.4			207-22	NPFB 207	2.9		
207																		207				
207-23	1 7/16																	207-23				
CUCNPFB 208-24	1 1/2	6 15/32	3 15/16	3 1/16	1 11/32	7/16	5/8	2 23/64	1 39/64	1 31/32	53/64	2 1/64	1.9370	0.7480	1.1890	3/8			CUC 208-24			
208		164	100	78	34	11.1	16	60	41	50.0	21	51.2	49.2	19.0	30.2			208	NPFB 208	4.0		

## BUCNPFB with Black Oxide Bearing Inserts

BUCNPFB 201-8	1/2																		BUC 201-8			
202-10	5/8	4 1/4	2 1/2	2 3/8	1	25/64	5/16	1 11/16	7/8	1 1/2	5/8	1 5/16	1.2205	0.5000	0.7205	5/16			202-10			
204-12	3/4	108	64	60	25	9.9	8	43.3	22.2	38.1	16	33.3	31.0	12.7	18.3			204-12	NPFB 204	1.5		
204		20																204				
BUCNPFB 205-14	7/8	4 3/4	2 3/4	2 1/2	1 1/8	25/64	3/8	1 13/16	1 1/8	1 5/8	43/64	1 13/32	1.3386	0.5630	0.7756	5/16			BUC 205-14			
205		121	70	64	29	9.9	9.5	46.0	28.6	41.3	17	35.7	34.0	14.3	19.7			205	NPFB 205	1.5		
205-16	1																	205-16				
BUCNPFB 206-18	1 1/8	5 3/8	3 1/4	2 3/4	1 1/4	25/64	3/8	2 1/16	1 1/4	1 7/8	3/4	1 37/64	1.5000	0.6260	0.8740	5/16			BUC 206-18			
206		137	83	70	32	9.9	9.5	52.4	31.8	47.6	19	40.2	38.1	15.9	22.2			206	NPFB 206	2.0		
206-19	1 3/16																	206-19				
206-20	1 1/4 S																	206-20				
BUCNPFB 207-20	1 1/4	6 1/8	3 3/4	3 1/4	1 7/16	33/64	1/2	2 3/8	1 1/4	2	53/64	1 3/4	1.6890	0.6890	1.0000	7/16			BUC 207-20			
207-22	1 3/8	156	95	83	37	13.1	13	60.3	31.8	50.8	21	44.4	42.9	17.5	25.4			207-22	NPFB 207	2.9		
207																		207				
207-23	1 7/16																	207-23				
BUCNPFB 208-24	1 1/2	6 15/32	3 15/16	3 1/16	1 11/32	7/16	5/8	2 23/64	1 39/64	1 31/32	53/64	2 1/64	1.9370	0.7480	1.1890	3/8			BUC 208-24			
208		164	100	78	34	11.1	16	60	41	50.0	21	51.2	49.2	19.0	30.2			208	NPFB 208	4.0		

# Nickel Plated Hanger Units



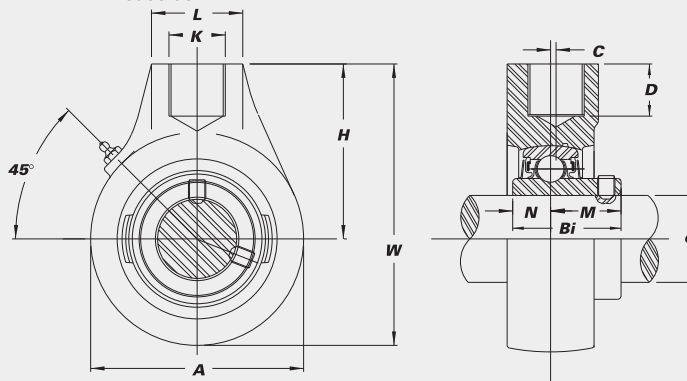
With optional bearing inserts:  
**Stainless Steel-SUCNPHA**  
**Hard Chrome Coated-CUCNPHA**

- B-type Seals
- Available with locking collar bearings. Please ask.

- Overview of corrosion resistant products – pg. 48



B-type Seal

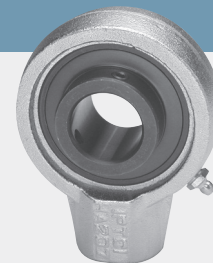


Unit No.	Shaft Dia.		Dimensions (in.) (mm)									Bearing No.	Housing No.	Weight (lbs.)	
	d		A	W	C	H	L	D	K	Bi	N				M
<b>SUCNPHA with Stainless Steel Bearing Inserts</b>															
SUCNPHA 201-8	1/2												SUC 201-8		
202-10	5/8		2 <sup>33/64</sup>	3 <sup>25/32</sup>	0	2 <sup>33/64</sup>	1 <sup>9/16</sup>	3/4	PF 3/4	1.2205	0.5000	0.7205	202-10	NPHA 204	1.7
204-12	3/4		64	96		64	40	19.1	-14	31.0	12.7	18.3	204-12		
204		20											204		
SUCNPHA 205-14	7/8												SUC 205-14		
205		25	3 <sup>1/16</sup>	4 <sup>1/16</sup>	0	2 <sup>33/64</sup>	1 <sup>9/16</sup>	3/4	PF 3/4	1.3386	0.5630	0.7756	205	NPHA 205	1.9
205-16	1		78	103		64	40	19.1	-14	34.0	14.3	19.7	205-16		
SUCNPHA 206-18	1 1/8												SUC 206-18		
206		30	3 <sup>5/32</sup>	4 <sup>3/32</sup>	0	2 <sup>33/64</sup>	1 <sup>9/16</sup>	3/4	PF 3/4	1.5000	0.6260	0.8740	206	NPHA 206	1.9
206-19	1 3/16		80	104		64	40	19.1	-14	38.1	15.9	22.2	206-19		
206-20	1 1/4 S												206-20		
SUCNPHA 207-20	1 1/4												SUC 207-20		
207-21	1 5/16												207-21	NPHA 207	2.6
207-22	1 3/8		3 <sup>5/8</sup>	4 <sup>9/16</sup>	0	2 <sup>3/4</sup>	1 <sup>9/16</sup>	3/4	PF 3/4	1.6890	0.6890	1.0000	207-22		
207		35	92	116		70	40	19.1	-14	42.9	17.5	25.4	207		
207-23	1 7/16												207-23		
SUCNPHA 208-24	1 1/2												SUC 208-24		
208		40	3 <sup>15/16</sup>	4 <sup>27/32</sup>	5/64	2 <sup>7/8</sup>	1 <sup>9/16</sup>	3/4	PF 3/4	1.9370	0.7480	1.1890	208	NPHA 208	3.4
SUCNPHA 209-27	1 11/16												SUC 209-27		
209-28	1 3/4		4 <sup>1/4</sup>	5 <sup>11/32</sup>	13/64	3 <sup>15/64</sup>	1 <sup>7/8</sup>	13/16	PF 1	1.9370	0.7480	1.1890	209-28	NPHA 209	3.9
209		45	108	136	5	82	48	21	-11 1/2	49.2	19.0	30.2	209		
SUCNPHA 210-31	1 15/16												SUC 210-31		
210		50	4 <sup>21/32</sup>	5 <sup>19/32</sup>	13/64	3 <sup>17/64</sup>	1 <sup>7/8</sup>	13/16	PF 1	2.0315	0.7480	1.2835	210	NPHA 210	4.6
210-32	2 S		118	142	5	83	48	21	-11 1/2	51.6	19.0	32.6	210-32		
SUCNPHA 212-36	2 1/4												SUC 212-36		
212-39	2 7/16		5 <sup>19/32</sup>	6 <sup>13/16</sup>	23/64	4 <sup>1/64</sup>	2 <sup>3/8</sup>	1 3/32	PF 1 1/4	2.5630	1.0000	1.5630	212-36	NPHA 212	8.2
			142	173	9	102	60	28	-11 1/2	65.1	25.4	39.7	212-39		

## CUCNPHA with Hard Chrome Coated Bearing Inserts

CUCNPHA 204-12	3/4												CUC 204-12		
204		20	2 <sup>33/64</sup>	3 <sup>25/32</sup>	0	2 <sup>33/64</sup>	1 <sup>9/16</sup>	3/4	PF 3/4	1.2205	0.5000	0.7205	204	NPHA 204	1.7
CUCNPHA 205-14	7/8												CUC 205-14		
205		25	3 <sup>1/16</sup>	4 <sup>1/16</sup>	0	2 <sup>33/64</sup>	1 <sup>9/16</sup>	3/4	PF 3/4	1.3386	0.5630	0.7756	205	NPHA 205	1.9
205-16	1		78	103		64	40	19.1	-14	34.0	14.3	19.7	205-16		
CUCNPHA 206-18	1 1/8												CUC 206-18		
206		30	3 <sup>5/32</sup>	4 <sup>3/32</sup>	0	2 <sup>33/64</sup>	1 <sup>9/16</sup>	3/4	PF 3/4	1.5000	0.6260	0.8740	206	NPHA 206	1.9
206-19	1 3/16		80	104		64	40	19.1	-14	38.1	15.9	22.2	206-19		
206-20	1 1/4 S												206-20		
CUCNPHA 207-20	1 1/4												CUC 207-20		
207-22	1 3/8												207-22	NPHA 207	2.6
207		35	3 <sup>5/8</sup>	4 <sup>9/16</sup>	0	2 <sup>3/4</sup>	1 <sup>9/16</sup>	3/4	PF 3/4	1.6890	0.6890	1.0000	207		
207-23	1 7/16		92	116		70	40	19.1	-14	42.9	17.5	25.4	207-23		
CUCNPHA 208-24	1 1/2												CUC 208-24		
208		40	3 <sup>15/16</sup>	4 <sup>27/32</sup>	5/64	2 <sup>7/8</sup>	1 <sup>9/16</sup>	3/4	PF 3/4	1.9370	0.7480	1.1890	208	NPHA 208	3.4

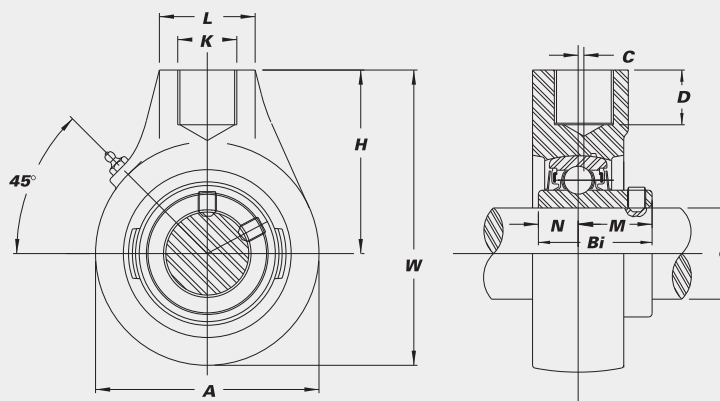
# Nickel Plated Hanger Units



B-type Seal

## With Black Oxide Bearing Inserts-BUCNPHA

- B-type Seals
- Overview of corrosion resistant products – pg. 48



CORROSION RESISTANT

Unit No.	Shaft Dia.		Dimensions (in.) (mm)									Bearing No.	Housing No.	Weight (lbs.)	
	<i>d</i>	(in.) (mm)	<i>A</i>	<i>W</i>	<i>C</i>	<i>H</i>	<i>L</i>	<i>D</i>	<i>K</i>	<i>Bi</i>	<i>N</i>				<i>M</i>
BUCNPHA 201-8	1/2												BUC 201-8		
202-10	5/8		2 <sup>33</sup> / <sub>64</sub>	3 <sup>25</sup> / <sub>32</sub>	0	2 <sup>33</sup> / <sub>64</sub>	1 <sup>9</sup> / <sub>16</sub>	3/4	PF 3/4	1.2205	0.5000	0.7205	202-10	NPHA 204	1.7
204-12	3/4		64	96		64	40	19.1	-14	31.0	12.7	18.3	204-12		
204		20											204		
BUCNPHA 205-14	7/8												BUC 205-14	NPHA 205	1.9
205		25	3 <sup>1</sup> / <sub>16</sub>	4 <sup>1</sup> / <sub>16</sub>	0	2 <sup>33</sup> / <sub>64</sub>	1 <sup>9</sup> / <sub>16</sub>	3/4	PF 3/4	1.3386	0.5630	0.7756	205		
205-16	1		78	103		64	40	19.1	-14	34.0	14.3	19.7	205-16		
BUCNPHA 206-18	1 1/8												BUC 206-18	NPHA 206	1.9
206		30	3 <sup>5</sup> / <sub>32</sub>	4 <sup>3</sup> / <sub>32</sub>	0	2 <sup>33</sup> / <sub>64</sub>	1 <sup>9</sup> / <sub>16</sub>	3/4	PF 3/4	1.5000	0.6260	0.8740	206		
206-19	1 3/16		80	104		64	40	19.1	-14	38.1	15.9	22.2	206-19		
206-20	1 1/4 S												206-20		
BUCNPHA 207-20	1 1/4												BUC 207-20	NPHA 207	2.6
207-22	1 3/8		3 <sup>5</sup> / <sub>8</sub>	4 <sup>9</sup> / <sub>16</sub>	0	2 <sup>3</sup> / <sub>4</sub>	1 <sup>9</sup> / <sub>16</sub>	3/4	PF 3/4	1.6890	0.6890	1.0000	207-22		
207		35	92	116		70	40	19.1	-14	42.9	17.5	25.4	207		
207-23	1 7/16												207-23		
BUCNPHA 208-24	1 1/2												BUC 208-24	NPHA 208	3.4
208		40	3 <sup>15</sup> / <sub>16</sub>	4 <sup>27</sup> / <sub>32</sub>	5/64	2 <sup>7</sup> / <sub>8</sub>	1 <sup>9</sup> / <sub>16</sub>	3/4	PF 3/4	1.9370	0.7480	1.1890	208		
BUCNPHA 209-26	1 5/8												BUC 209-26	NPHA 209	3.9
209-27	1 11/16		4 <sup>1</sup> / <sub>4</sub>	5 <sup>11</sup> / <sub>32</sub>	13/64	3 <sup>15</sup> / <sub>64</sub>	1 <sup>7</sup> / <sub>8</sub>	13/16	PF 1	1.9370	0.7480	1.1890	209-27		
209-28	1 3/4		108	136	5	82	48	21	-11 1/2	49.2	19.0	30.2	209-28		
209		45											209		
BUCNPHA 210-30	1 7/8												BUC 210-30	NPHA 210	4.6
210-31	1 15/16		4 <sup>21</sup> / <sub>32</sub>	5 <sup>19</sup> / <sub>32</sub>	13/64	3 <sup>17</sup> / <sub>64</sub>	1 <sup>7</sup> / <sub>8</sub>	13/16	PF 1	2.0315	0.7480	1.2835	210-31		
210		50	118	142	5	83	48	21	-11 1/2	51.6	19.0	32.6	210		
210-32	2 S												210-32		
UCXNPHA* 211		55	5 <sup>19</sup> / <sub>32</sub>	6 <sup>13</sup> / <sub>16</sub>	23/64	4 <sup>1</sup> / <sub>64</sub>	2 <sup>9</sup> / <sub>8</sub>	1 <sup>3</sup> / <sub>32</sub>	PF 1 1/4	2.5630	1.0000	1.5630	UCX 11	NPHA 212	8.5
211-35	2 3/16		142	173	9	102	60	28	-11 1/2	65.1	25.4	39.7	211-35		
BUCNPHA 212-36	2 1/4												BUC 212-36	NPHA 212	8.2
212		60	5 <sup>19</sup> / <sub>32</sub>	6 <sup>13</sup> / <sub>16</sub>	23/64	4 <sup>1</sup> / <sub>64</sub>	2 <sup>9</sup> / <sub>8</sub>	1 <sup>3</sup> / <sub>32</sub>	PF 1 1/4	2.5630	1.0000	1.5630	212		
212-39	2 7/16		142	173	9	102	60	28	-11 1/2	65.1	25.4	39.7	212-39		
UCXNPHA* 214-43	2 11/16		6 <sup>17</sup> / <sub>32</sub>	7 <sup>7</sup> / <sub>8</sub>	3/8	4 <sup>39</sup> / <sub>64</sub>	2 <sup>9</sup> / <sub>4</sub>	1 1/4	PF 1 1/2	3.0630	1.3110	1.7520	UCX 14-43	NPHA 215	13.2
214		166	200	200	9.5	117	70	32	-11 1/2	77.8	33.3	44.5	214		
BUCNPHA 215-47	2 15/16		6 <sup>17</sup> / <sub>32</sub>	7 <sup>7</sup> / <sub>8</sub>	3/8	4 <sup>39</sup> / <sub>64</sub>	2 <sup>9</sup> / <sub>4</sub>	1 1/4	PF 1 1/2	3.0630	1.3110	1.7520	BUC 215-47	NPHA 215	12.2
215-48	3		166	200	9.5	117	70	32	-11 1/2	77.8	33.3	44.5	215-48		

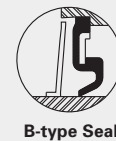
\*Bearing insert is not available in black oxide



# Nickel Plated Piloted Flanges

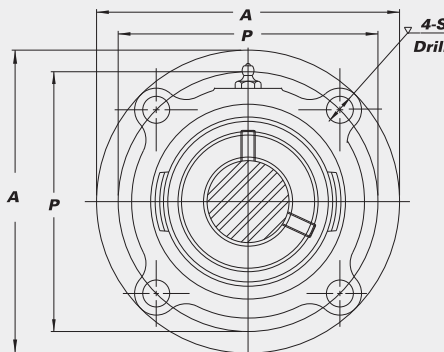
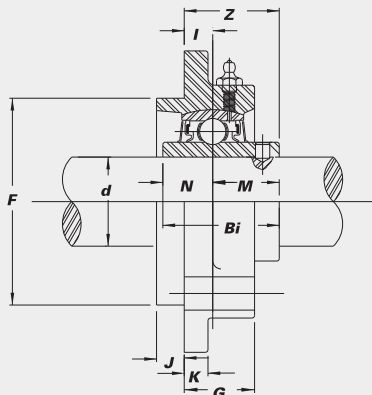


With optional bearing inserts:  
**Stainless Steel-SUCNPFCS**  
**Hard Chrome Coated-CUCNPFCS**



• B-type Seals

• Overview of corrosion resistant products – pg. 48



CORROSION RESISTANT

Unit No.	Shaft Dia.		Dimensions (in.) (mm)											Bolt Used	Bearing No.	Housing No.	Weight (lbs.)
	d		A	P	S	J	K	G	F	I	Z	Bi	N				

## SUCNPFCS with Stainless Steel Bearing Inserts

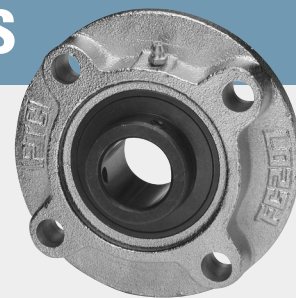
SUCNPFCS 206-18 206	1 1/8	30	4 3/8	3 5/8	3/8	15/64	3/8	15/16	3.000	25/64	1 9/32	1.5000	0.6260	0.8740	5/16	SUC 206-18		
206-19 206-20	1 3/16	111	92	9.5	6.0	9.5	24.0	76.2	10	32.2	38.1	15.9	22.2	5/16	SUC 206-19 206-20	NPFC X05	2.6	
SUCNPFCS 207-20 207-21 207-22 207	1 1/4	35	5	4 1/8	15/32	3/8	3/8	7/8	3.375	5/16	1 5/16	1.6890	0.6890	1.0000	3/8	SUC 207-20 207-21 207-22 207	NPFC X06	3.3
207-23	1 7/16	127	104.8	12.0	9.5	9.5	22.5	85.7	8	33.4	42.9	17.5	25.4	3/8	SUC 207-23			
SUCNPFCS 208-24 208	1 1/2	40	5 1/4	4 3/8	15/32	7/16	7/16	1 1/32	3.625	23/64	1 17/32	1.9370	0.7480	1.1890	3/8	SUC 208-24 208	NPFC X07	4.2
SUCNPFCS 209-27 209-28 209	1 11/16	45	5 1/4	4 3/8*	15/32	7/16	7/16	1 1/32	3.625*	23/64	1 17/32	1.9370	0.7480	1.1890	3/8	SUC 209-27 209-28 209	NPFC X08	4.4
SUCNPFCS 210-31 210	1 15/16	50	6 3/32	5 1/8	35/64	15/32	7/16	1	4.250	5/16	1 19/32	2.0315	0.7480	1.2835	7/16	SUC 210-31 210	NPFC X09	5.7
210-32	2S	155	130	14.0	12.0	11.0	25.0	108.0	8	40.6	51.6	19.0	32.6	7/16	SUC 210-32			
SUCNPFCS 211-32 211-35	2	162	136.5	14.0	16.0	11.0	25.0	114.3	7	40.4	55.6	22.2	33.4	7/16	SUC 211-32 211-35	NPFC X10	7.0	
SUCNPFCS 212-39	2 7/16	180	152.4	16.0	22.0	13.0	26.0	127.0	4	43.7	65.1	25.4	39.7	1/2	SUC 212-39	NPFC X11	9.5	

## CUCNPFCS with Hard Chrome Coated Bearing Inserts

CUCNPFCS 206-18 206	1 1/8	30	4 3/8	3 5/8	3/8	15/64	3/8	15/16	3.000	25/64	1 9/32	1.5000	0.6260	0.8740	5/16	CUC 206-18		
206-19 206-20	1 3/16	111	92	9.5	6.0	9.5	24.0	76.2	10	32.2	38.1	15.9	22.2	5/16	CUC 206-19 206-20	NPFC X05	2.6	
CUCNPFCS 207-20 207-22 207	1 1/4	35	5	4 1/8	15/32	3/8	3/8	7/8	3.375	5/16	1 5/16	1.6890	0.6890	1.0000	3/8	CUC 207-20 207-22 207	NPFC X06	3.3
207-23	1 7/16	127	104.8	12.0	9.5	9.5	22.5	85.7	8	33.4	42.9	17.5	25.4	3/8	CUC 207-23			
CUCNPFCS 208-24 208	1 1/2	40	5 1/4	4 3/8	15/32	7/16	7/16	1 1/32	3.625	23/64	1 17/32	1.9370	0.7480	1.1890	3/8	CUC 208-24 208	NPFC X07	4.2
CUCNPFCS 209-27 209-28 209	1 11/16	45	5 1/4	4 3/8*	15/32	7/16	7/16	1 1/32	3.625*	23/64	1 17/32	1.9370	0.7480	1.1890	3/8	CUC 209-27 209-28 209	NPFC X08	4.4
CUCNPFCS 210-31 210	1 15/16	50	6 3/32	5 1/8	35/64	15/32	7/16	1	4.250	5/16	1 19/32	2.0315	0.7480	1.2835	7/16	CUC 210-31 210	NPFC X09	5.7
210-32	2S	155	130	14.0	12.0	11.0	25.0	108.0	8	40.6	51.6	19.0	32.6	7/16	CUC 210-32			

\* Also available in FCF(209) style housing where P=5 1/8", F=4.250.  
 See pg. 33 for other details.

# Nickel Plated Piloted Flanges

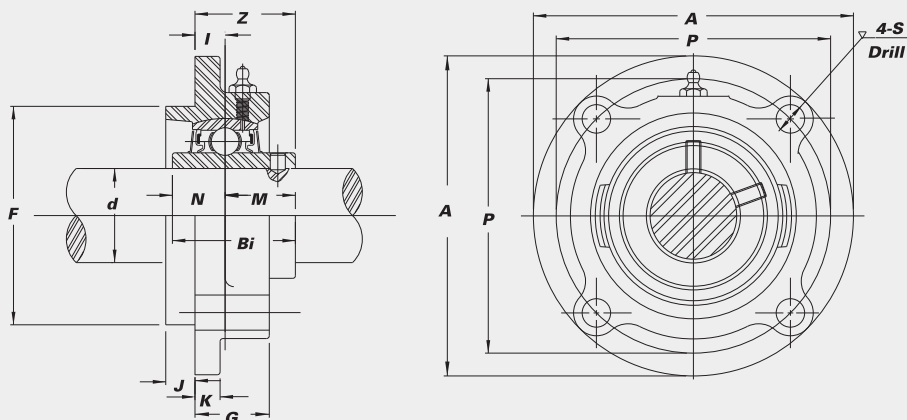


B-type Seal

## With Black Oxide Bearing Inserts-BUCNPFCs

• B-type Seals

• Overview of corrosion resistant products – pg. 48

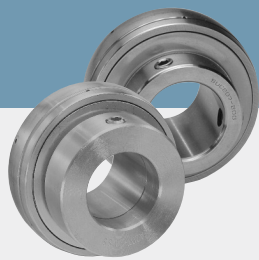


CORROSION RESISTANT

Unit No.	Shaft Dia.		Dimensions (in.) (mm)											Bolt Used (in.)	Bearing No.	Housing No.	Weight (lbs.)			
	d (in.)	d (mm)	A	P	S	J	K	G	F	I	Z	Bi	N					M		
BUCNPFCs 206-18	1 1/8																	BUC 206-18		
206		30	4 3/8	3 5/8	3/8	15/64	3/8	15/16	3.000	25/64	1 9/32	1.5000	0.6260	0.8740				206	NPFC X05	2.6
206-19	1 3/16																	206-19		
206-20	1 1/4 S																	206-20		
BUCNPFCs 207-20	1 1/4																	BUC 207-20		
207-22	1 3/8																	207-22	NPFC X06	3.3
207		35	5	4 1/8	15/32	3/8	3/8	7/8	3.375	5/16	1 5/16	1.6890	0.6890	1.0000			207			
207-23	1 7/16																	207-23		
BUCNPFCs 208-24	1 1/2																	BUC 208-24		
208		40	5 1/4	4 3/8	15/32	7/16	7/16	1 1/32	3.625	23/64	1 17/32	1.9370	0.7480	1.1890			208	NPFC X07	4.2	
BUCNPFCs 209-26	1 5/8																	BUC 209-26		
209-27	1 11/16																	209-27	NPFC X08	4.4
209-28	1 3/4																	209-28		
209		45	5 1/4	4 3/8*	15/32	7/16	7/16	1 1/32	3.625*	23/64	1 17/32	1.9370	0.7480	1.1890			209			
BUCNPFCs 210-30	1 7/8																	BUC 210-30		
210-31	1 15/16																	210-31	NPFC X09	5.7
210		50	6 3/32	5 1/8	35/64	15/32	7/16	1	4.250	5/16	1 19/32	2.0315	0.7480	1.2835			210			
210-32	2 S																	210-32		
BUCNPFCs 211-32	2																	BUC 211-32		
211		55	6 3/8	5 3/8	35/64	5/8	7/16	1	4.500	9/32	1 19/32	2.1890	0.8740	1.3150			211	NPFC X10	7.0	
211-35	2 9/16																	211-35		
BUCNPFCs 212-36	2 1/4																	BUC 212-36		
212		60	7 3/32	6	5/8	55/64	1/2	1 1/32	5.000	5/32	2 23/32	2.5630	1.0000	1.5630			212	NPFC X11	9.5	
212-39	2 7/16																	212-39		
BUCNPFCs 213-40	2 1/2																	BUC 213-40	NPFC X12	11.7

\* Also available in FCF(209) style housing where P=5 1/8", F=4.250. See pg. 33 for other details.

# Stainless Steel Bearing Inserts



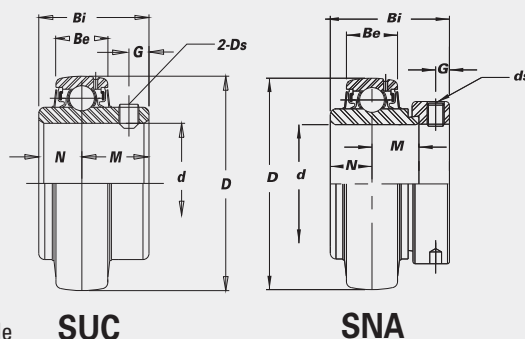
B-type Seal

B-type seal available in all styles and sizes.



L3-type Seal

L3-type seal available in SUC units only. Limited sizes. Consult IPTCI for speed limitations.



## SUC Set Screw Lock

## SNA with Eccentric Locking Collar

Balls & Rings	440 Stainless Steel
Seal	Silicone Rubber
Seal Frame & Slinger	302 Stainless Steel
Retainer	302 Stainless Steel
Set Screws	410 Stainless Steel
Locking Collar (SNA only)	304 Stainless Steel
Lubrication	H-1 Food Grade Grease

CORROSION RESISTANT

Bearing No.	Bore Dia. of Bearing		Dimensions (in. (mm))							Basic Load Rating (lbs.)	Basic Static Load Rating (lbs.)	Weight (lbs.)
	d (in.)	d (mm)	D	Bi	Be	N	M	G	Ds (In.)			

### SUC with Set Screw Lock

SUC 201-8	1/2											0.46
202-10	5/8		1.8504	1.2205	0.6299	0.5000	0.7205	0.1969		2,440	1,220	0.42
204-12	3/4		47.0	31.0	16.0	12.7	18.3	5.0	1/4-28UNF			0.35
204		20										0.35
SUC 205-14	7/8		2.0472	1.3386	0.6693	0.5630	0.7756	0.2165		2,670	1,440	0.51
205		25	52.0	34.0	17.0	14.3	19.7	5.5	1/4-28UNF			0.44
205-16	1											0.44
SUC 206-18	1 1/8		2.4409	1.5000	0.7480	0.6260	0.8740	0.2362		3,710	2,020	0.75
206		30	62.0	38.1	19.0	15.9	22.2	6.0	1/4-28UNF			0.71
206-19	1 3/16											0.71
206-20	1 1/4S											0.71
SUC 207-20	1 1/4		2.8346	1.6890	0.7874	0.6890	1.0000	0.2559		4,930	2,780	1.19
207-21	1 5/16		72.0	42.9	20.0	17.5	25.4	6.5	5/16-24UNF			1.12
207-22	1 3/8											1.06
207		35										1.06
207-23	1 7/16											0.99
SUC 208-24	1 1/2		3.1496	1.9370	0.8268	0.7480	1.1890	0.3150		5,660	3,300	1.50
208		40	80.0	49.2	21.0	19.0	30.2	8.0	5/16-24UNF			1.41
SUC 209-27	1 11/16		3.3465	1.9370	0.8661	0.7480	1.1890	0.3150		6,230	3,680	1.63
209-28	1 3/4		85.0	49.2	22.0	19.0	30.2	8.0	5/16-24UNF			1.54
209		45										1.50
SUC 210-31	1 15/16		3.5433	2.0315	0.9449	0.7480	1.2835	0.3543		6,590	4,070	1.81
210		50	90.0	51.6	24.0	19.0	32.6	9.0	3/8-24UNF			1.76
210-32	2S											1.66
SUC 211-32	2		3.9370	2.1890	0.9843	0.8740	1.3150	0.3543		7,780	4,890	2.78
211		55	100.0	55.6	25.0	22.2	33.4	9.0	3/8-24UNF			2.45
211-35	2 3/16											2.40
SUC 212-36	2 1/4		4.3307	2.5630	1.0630	1.0000	1.5630	0.4134		8,910	5,870	3.68
212		60	110.0	65.1	27.0	25.4	39.7	10.5	3/8-24UNF			3.40
212-39	2 7/16											3.20

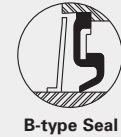
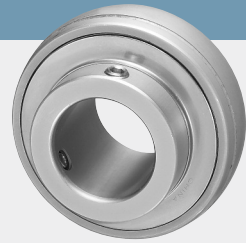
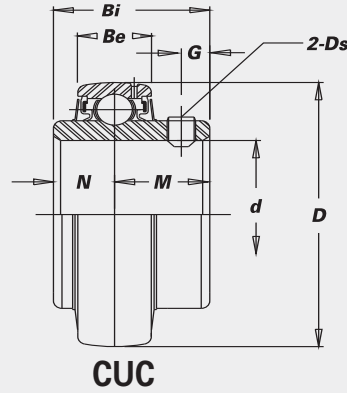
### SNA with Eccentric Locking Collar

SNA 204-12	3/4		1.8504	1.5433	0.6299	0.5000	0.6693	0.1890		2,440	1,220	0.45
204		20	47.0	39.2	16.0	12.7	17.0	4.8	1/4-28UNF			0.43
SNA 205-14	7/8		2.0472	1.6220	0.6693	0.5630	0.6850	0.1890		2,670	1,440	0.58
205		25	52.0	41.2	17.0	14.3	17.4	4.8	1/4-28UNF			0.49
205-16	1											0.49
SNA 206-18	1 1/8		2.4409	1.8110	0.7480	0.6260	0.7165	0.2362		3,710	2,020	0.89
206		30	62.0	46.0	19.0	15.9	18.2	6.0	5/16-24UNF			0.84
206-19	1 3/16											0.84
206-20	1 1/4S											0.76
SNA 207-20	1 1/4		2.8346	1.9606	0.7874	0.6890	0.7402	0.2677		4,930	2,780	1.44
207-22	1 3/8		72.0	49.8	20.0	17.5	18.8	6.8	5/16-24UNF			1.28
207		35										1.28
207-23	1 7/16											1.22
SNA 208-24	1 1/2		3.1496	2.1220	0.8268	0.7480	0.8425	0.2677		5,660	3,300	1.75
208		40	80.0	53.9	21.0	19.0	21.4	6.8	5/16-24UNF			1.64
SNA 209-28	1 3/4		3.3465	2.1220	0.8661	0.7480	0.8425	0.2677		6,230	3,680	1.83
			85.0	53.9	22.0	19.0	21.4	6.8	5/16-24UNF			
SNA 210-31	1 15/16		3.5433	2.2480	0.9449	0.7480	0.9685	0.2677		6,590	4,070	2.19
210-32	2S		90.0	57.1	24.0	19.0	24.6	6.8	5/16-24UNF			2.07

# Hard Chrome Coated Inserts

## CUC Set Screw Lock

Rings	Hard Chrome Coated
Balls	440 Stainless Steel
Seal	Silicone Rubber
Slinger & Seal Frame	302 Stainless Steel
Retainer	302 Stainless Steel*
Set Screws	410 Stainless Steel
Lubrication	H-1 Food Grade Grease
* Chrome coated for sizes 213-215	



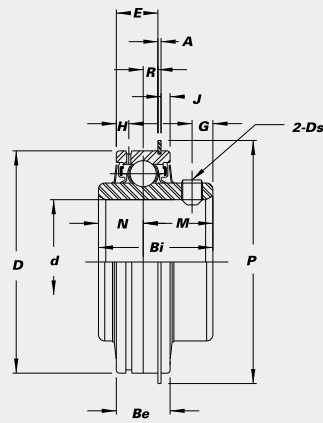
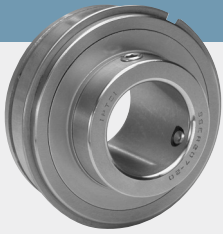
Bearing No.	Bore Dia. of Bearing		Dimensions (in. (mm))							Basic Load Rating (lbs.)	Basic Static Load Rating (lbs.)	Weight (lbs.)
	$d$	$d$	$D$	$B_i$	$B_e$	$N$	$M$	$G$	$D_s$ (in.)			

### CUC with Set Screw Lock

CUC 204-12 204	3/4	20	1.8504 47.0	1.2205 31.0	0.6299 16.0	0.5000 12.7	0.7205 18.3	0.1969 5.0	1/4-28UNF	2,740	1,600	0.35 0.35
CUC 205-14 205 205-16	7/8 1	25	2.0472 52.0	1.3386 34.0	0.6693 17.0	0.5630 14.3	0.7756 19.7	0.2165 5.5	1/4-28UNF	3,010	1,750	0.51 0.44 0.44
CUC 206-18 206 206-19 206-20	1 1/8 1 3/16 1 1/4S	30	2.4409 62.0	1.5000 38.1	0.7480 19.0	0.6260 15.9	0.8740 22.2	0.2362 6.0	1/4-28UNF	4,200	2,430	0.75 0.71 0.71 0.71
CUC 207-20 207-22 207 207-23	1 1/4 1 3/8 1 7/16	35	2.8346 72.0	1.6890 42.9	0.7874 20.0	0.6890 17.5	1.0000 25.4	0.2559 6.5	5/16-24UNF	5,535	3,340	1.19 1.06 1.06 0.99
CUC 208-24 208	1 1/2	40	3.1496 80.0	1.9370 49.2	0.8268 21.0	0.7480 19.0	1.1890 30.2	0.3150 8.0	5/16-24UNF	6,375	3,960	1.50 1.41
CUC 209-27 209-28 209	1 11/16 1 3/4	45	3.3465 85.0	1.9370 49.2	0.8661 22.0	0.7480 19.0	1.1890 30.2	0.3150 8.0	5/16-24UNF	7,110	4,460	1.63 1.54 1.50
CUC 210-31 210 210-32	1 15/16 2S	50	3.5433 90.0	2.0315 51.6	0.9449 24.0	0.7480 19.0	1.2835 32.6	0.3543 9.0	3/8-24UNF	7,400	4,910	1.81 1.76 1.66
CUC 211-32 211-35	2 2 3/16		3.9370 100.0	2.1890 55.6	0.9843 25.0	0.8740 22.2	1.3150 33.4	0.3543 9.0	3/8-24UNF	9,490	6,440	2.78 2.40
CUC 212-36 212-39	2 1/4 2 7/16		4.3307 110.0	2.5630 65.1	1.0630 27.0	1.0000 25.4	1.5630 39.7	0.4134 10.5	3/8-24UNF	11,500	7,940	3.68 3.20
CUC 213-40	2 1/2		4.7244 120.0	2.5630 65.1	1.1024 28.0	1.0000 25.4	1.5630 39.7	0.4724 12.0	1/2-20UNF	12,400	8,760	4.28
CUC 215-47 215-48	2 15/16 3		5.1181 130.0	3.0630 77.8	1.2598 32.0	1.3110 33.3	1.7520 44.5	0.4724 12.0	1/2-20UNF	14,620	10,540	5.02 4.67

CORROSION RESISTANT

# Stainless Steel Bearing Inserts



## SSER Set Screw Lock with snap ring

Balls & Rings 440 Stainless Steel  
 Set Screws 410 Stainless Steel  
 Slinger & Seal Frame 302 Stainless Steel  
 Retainer 302 Stainless Steel  
 Seal Silicone Rubber  
 Lubrication H-1 Food Grade Grease

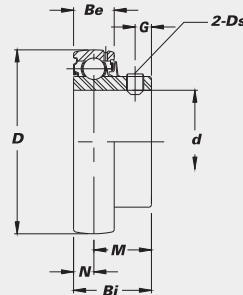


B-type Seal

- B-type Seals
- Overview of corrosion resistant products – pg. 48

CORROSION RESISTANT

Bearing No.	Bore Dia. of Bearing		Dimensions (in.) (mm)												Basic Load Rating (lbs.)	Basic Static Load Rating (lbs.)	Weight (lbs.)	
	<i>d</i>	<i>d</i>	<i>D</i>	<i>Bi</i>	<i>Be</i>	<i>N</i>	<i>M</i>	<i>E</i>	<i>A</i>	<i>H</i>	<i>R</i>	<i>J</i>	<i>P</i>	<i>G</i>				<i>Ds</i> (in.)
SSER 201-8	1/2																	
202-10	5/8		1.8504	1.2188	0.6250	0.4063	0.8125	0.4844	0.0469	0.1719	0.1719	0.0938	2.0625	0.1875	1/4-28UNF	2,440	1,220	0.49
204-12	3/4		47.0	31.0	15.9	10.3	20.6	12.30	1.19	4.4	4.37	2.38	52.4	4.8				
204		20																
SSER 205-14	7/8																	
205		25	2.0472	1.3750	0.7500	0.5156	0.8594	0.6094	0.0469	0.2031	0.2344	0.0938	2.2656	0.2188	1/4-28UNF	2,670	1,440	0.60
205-16	1		52.0	34.9	19.1	13.1	21.8	15.48	1.19	5.2	5.95	2.38	57.5	5.6				
SSER 206-18	1 1/8																	
206		30	2.4409	1.5000	0.8661	0.6260	0.8740	0.6760	0.0469	0.2165	0.2421	0.1252	2.6575	0.2362	1/4-28UNF	3,710	2,020	0.86
206-19	1 3/16		62.0	38.1	22.0	15.9	22.2	17.17	1.65	5.5	6.15	3.18	67.5	6.0				
206-20	1 1/4S																	
SSER 207-20	1 1/4																	
207-22	1 3/8		2.8346	1.6890	0.9449	0.6890	1.0000	0.7547	0.0650	0.2165	0.2815	0.1252	3.0906	0.2559	5/16-24UNF	4,930	2,780	1.39
207		35	72.0	42.9	24.0	17.5	25.4	19.17	1.65	5.5	7.15	3.18	78.4	6.5				
207-23	1 7/16																	
SSER 208-24	1 1/2																	
208		40	3.1496	1.9370	1.1024	0.7480	1.1890	0.9122	0.0650	0.2362	0.3602	0.1252	3.4016	0.3150	5/16-24UNF	5,660	3,300	1.79
			80.0	49.2	28.0	19.0	30.2	23.17	1.65	6.0	9.15	3.18	86.4	8.0				



## SSB Set Screw Lock, Narrow Inner Race Relubricatable

Balls & Rings 440 Stainless Steel  
 Seal Silicone Rubber  
 Slinger & Seal Frame 302 Stainless Steel  
 Retainer 302 Stainless Steel  
 Set Screws 410 Stainless Steel  
 Lubrication H-1 Food Grade Grease



K-type Seal (back)



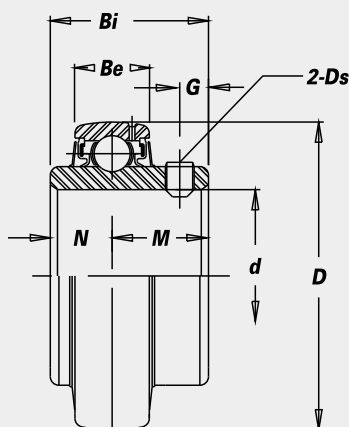
B-type Seal (front)

Bearing No.	Bore Dia. of Bearing		Dimensions (in.) (mm)							Basic Load Rating (lbs.)	Basic Static Load Rating (lbs.)	Weight (lbs.)
	<i>d</i>	<i>d</i>	<i>Be</i>	<i>D</i>	<i>Bi</i>	<i>N</i>	<i>M</i>	<i>G</i>	<i>Ds</i>			
SSB 201-8	1/2		0.4724	1.5748	0.8661	0.2362	0.6299	0.1575				
202-10	5/8		12.0	40.0	22.0	6.0	16.0	4.0	10-32UNF	1,770	830	0.22
SSB 204-12	3/4											
204		20	0.5512	1.8504	0.9843	0.2756	0.7087	0.1969	1/4-28UNF	2,440	1,220	0.33
			14.0	47.0	25.0	7.0	18.0	5.0				
SSB 205-14	7/8											
205		25	0.5906	2.0472	1.0630	0.2953	0.7677	0.2165	1/4-28UNF	2,670	1,440	0.40
205-16	1		15.0	52.0	27.0	7.5	19.5	5.5				
SSB 206-18	1 1/8											
206		30	0.6299	2.4409	1.1417	0.3150	0.8267	0.2362	1/4-28UNF	3,710	2,020	0.60
206-19	1 3/16		16.0	62.0	29.0	8.0	21.0	6.0				
206-20	1 1/4S											
SSB 207-20	1 1/4											
207-22	1 3/8		0.6693	2.8346	1.2598	0.3346	0.9252	0.2362	5/16-24UNF	4,930	2,780	0.93
207		35	17.0	72.0	32.0	8.5	23.5	6.0				
207-23	1 7/16											

# BUC Black Oxide Bearing Inserts



- Standard duty with set screw lock
- Wide inner race
- B-type Seals



CORROSION RESISTANT

Bearing No.	Bore Dia. of Bearing		Dimensions (in. (mm))							Basic Load Rating (lbs.)	Basic Static Load Rating (lbs.)	Weight (lbs.)
	<i>d</i>	<i>d</i>	<i>D</i>	<i>Bi</i>	<i>Be</i>	<i>N</i>	<i>M</i>	<i>G</i>	<i>Ds</i> (in.)			
BUCW 201-8 202-10	1/2 5/8		1.5748 40.0	1.0236 26.0	0.5906 15.0	0.3937 10.0	0.6299 16.0	0.1575 4.0	10-32UNF	2,040	1,020	0.26 0.24
BUC 201-8 202-10 204-12 204	1/2 5/8 3/4	20	1.8504 47.0	1.2205 31.0	0.6299 16.0	0.5000 12.7	0.7205 18.3	0.1969 5.0	1/4-28UNF	2,740	1,600	0.46 0.42 0.35 0.35
BUC 205-14 205 205-16	7/8 1	25	2.0472 52.0	1.3386 34.0	0.6693 17.0	0.5630 14.3	0.7756 19.7	0.2165 5.5	1/4-28UNF	3,010	1,750	0.51 0.44 0.44
BUC 206-18 206 206-19 206-20	1 1/8 1 3/16 1 1/4	30	2.4409 62.0	1.5000 38.1	0.7480 19.0	0.6260 15.9	0.8740 22.2	0.2362 6.0	1/4-28UNF	4,200	2,430	0.75 0.71 0.71 0.71
BUC 207-20 207-22 207 207-23	1 1/4 1 3/8 1 7/16	35	2.8346 72.0	1.6890 42.9	0.7874 20.0	0.6890 17.5	1.0000 25.4	0.2559 6.5	5/16-24UNF	5,535	3,340	1.19 1.06 1.06 0.99
BUC 208-24 208	1 1/2	40	3.1496 80.0	1.9370 49.2	0.8268 21.0	0.7480 19.0	1.1890 30.2	0.3150 8.0	5/16-24UNF	6,375	3,960	1.50 1.41
BUC 209-26 209-27 209-28 209	1 5/8 1 11/16 1 3/4	45	3.3465 85.0	1.9370 49.2	0.8661 22.0	0.7480 19.0	1.1890 30.2	0.3150 8.0	5/16-24UNF	7,110	4,460	1.72 1.63 1.54 1.50
BUC 210-30 210-31 210 210-32	1 7/8 1 15/16 2S	50	3.5433 90.0	2.0315 51.6	0.9449 24.0	0.7480 19.0	1.2835 32.6	0.3543 9.0	3/8-24UNF	7,400	4,910	1.92 1.81 1.76 1.66
BUC 211-32 211 211-35	2 2 3/16	55	3.9370 100.0	2.1890 55.6	0.9843 25.0	0.8740 22.2	1.3150 33.4	0.3543 9.0	3/8-24UNF	9,490	6,440	2.78 2.45 2.40
BUC 212-36 212 212-39	2 1/4 2 7/16	60	4.3307 110.0	2.5630 65.1	1.0630 27.0	1.0000 25.4	1.5630 39.7	0.4134 10.5	3/8-24UNF	11,500	7,940	3.68 3.40 3.20
BUC 213-40	2 1/2		4.7244 120.0	2.5630 65.1	1.1024 28.0	1.0000 25.4	1.5630 39.7	0.4724 12.0	1/2-20UNF	12,400	8,760	4.28
BUC 215-47 215-48	2 5/16 3		5.1181 130.0	3.0630 77.8	1.2598 32.0	1.3110 33.3	1.7520 44.5	0.4724 12.0	1/2-20UNF	14,620	10,540	5.02 4.67

# Housings

Unit = .001 mm  
(.0001 in.)

## Tolerances of spherical inside diameter of housings

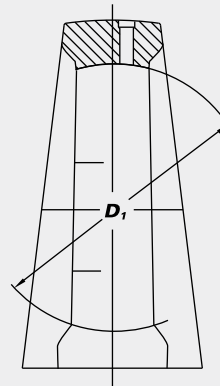
Nominal spherical inside diameter D1				Symbol H				Symbol J				Symbol K			
Over		Incl.		D1 m Deviations		D1 Deviations		D1 m Deviations		D1 Deviations		D1 m Deviations		D1 Deviations	
mm	in.	mm	in.	High	Low	High	Low	High	Low	High	Low	High	Low	High	Low
30	1.1811	50	1.9685	+25 (+10)	0	+30 (+12)	-5 (-2)	+14 (+6)	-11 (-4)	+19 (+7)	-16 (-6)	+7 (+3)	-18 (-7)	+12 (+5)	-23 (-9)
50	1.9685	80	3.1496	+30 (+12)	0	+38 (+14)	-6 (-2)	+18 (+7)	-12 (-5)	+24 (+9)	-18 (-7)	+9 (+4)	-21 (-8)	+15 (+6)	-27 (-11)
80	3.1496	120	4.7244	+35 (+14)	0	+42 (+17)	-7 (-3)	+22 (+9)	-13 (-5)	+29 (+11)	-20 (-8)	+10 (+4)	-25 (-10)	+17 (+7)	-32 (-13)
120	4.7244	180	7.0866	+40 (+16)	0	+48 (+19)	-8 (-3)	+26 (+10)	-14 (-6)	+34 (+13)	-22 (-9)	+12 (+5)	-28 (-11)	+20 (+8)	-36 (-14)
180	7.0866	250	9.8425	+46 (+18)	0	+55 (+22)	-9 (-4)	+80 (+12)	-16 (-6)	+39 (+15)	-25 (-10)	+13 (+5)	-33 (-13)	+22 (+9)	-42 (-17)
250	9.8425	315	12.4016	+52 (+20)	0	+62 (+24)	-10 (-4)	+36 (+14)	-16 (-6)	+46 (+18)	-26 (-10)	+16 (+6)	-36 (-14)	+26 (+10)	-46 (-18)

D1m is determined by the following equation:

$$D1m = \frac{D1max + D1min}{2}$$

Where D1max and D1min are maximum and minimum measurements of D1, respectively.

For practical purposes, bearing/housing fit is often expressed in terms of foot pounds of misalignment torque. **IPTCI** mounted units are typically machined to provide for a light interference fit. However, for special applications, **IPTCI** can provide clearance fit (H) or substantial interference fit (K).



## Materials of Housings

### Gray Iron

Cast in high strength gray iron, **IPTCI's** standard cast housings are among the most rigidly designed and heaviest available in the industry. This enables **IPTCI's** housings to withstand high vibration and shock loading.

### Ductile Iron

When extra strength is needed for extremely rugged applications, **IPTCI's** ductile iron is an excellent alternative. Ductile iron is approximately 2.5 times stronger (tensile) than gray iron and also offers the benefit of reduced flex memory. Some **IPTCI** standard housing styles are available from stock in ductile iron. All can be made upon request.

### Stainless Steel & Thermoplastic

See page 48 for complete details.

# Bearing Selection

## Load Capacities & Life Calculations

Simple life/load estimations can be derived from the Radial Load chart shown on page 86. However, if a more specific estimation is desired, the life of a bearing can be calculated by the following formula:

$$L_{10h} = \left(\frac{C}{P}\right)^3 \times \frac{16,667}{n}$$

### Where:

L10h = Life hours  
C = Basic Load Rating (lbf)  
P = Equivalent Radial Load (lbf)  
n = Speed (RPM)

See Page 86, or individual bearing pages for Basic Load Ratings.

L10h equals the number of hours that 90% of an identical sample group, operating under identical and ideal conditions, will operate without failure. Since actual field conditions seldom, if ever, match the ideal conditions used in the calculation of L10h, compensation for slip fit (most mounted bearings), dust, vibration, and shock loading must be considered. Since most **IPTCI** products are mounted units, it is helpful then to adjust the L10h number by .46 for slip fit applications and further reduce this number by 50-70% to compensate for other operating conditions.

### Example:

Bearing: UCP205-16 – with slip fit on to ground shafting.  
Application: Farm equipment experiencing variable shock loading.  
L10h = 10,000 hours  
Adjustment would be: 10,000 x .46 x .3 = 1,380 hours

Light and or infrequent vibration/shock loading may not require as much adjustment; however, **IPTCI** always recommends very generous safety factors for maximum bearing longevity. Additional adjustment may also be required if the bearing is directly exposed to heavy contaminants. The seal type will then influence the amount of this additional adjustment. It is assumed that the bearing will be operated within the confines of its published temperature limits, and that it will be relubricated properly.

**Note:** Caution is advised if in the use of the L10 formula, extremely high or low hours are derived.

## Thrust

The above calculations assume that there is no consequential thrust load present; therefore, the actual radial load equals the Equivalent Radial Load. It is important to note, however, that thrust, or axial force can dramatically affect the life of a mounted ball bearing. It is also significant to note that, outside of ideal testing conditions, and without field experience, many thrust applications are difficult to realistically quantify. Therefore, as thrust exceeds approximately 25% of the Basic Load Rating, or there exists a combination of thrust and speed, please contact **IPTCI** for technical assistance.



# Bearing Inserts\* • Radial Load Chart

TECHNICAL INFORMATION

Bearing Numbers						Basic Load Rating @ 33 <sup>1</sup> / <sub>3</sub> RPM	Radial Load Rating in Pounds at Various RPM Based on 500 Hours Minimum Life										
Normal Duty		Light Duty		Medium Duty	UCX		50	100	200	300	500	900	1200	1500	1800	2400	3600
UC/UCW	NA/NAW	ER	SA	SB													
UCW 201 201-8	NAW 201 201-8		SA 201 201-8	SB 201 201-8		2040	1780	1415	1120	980	830	680	620	575	540	490	425
UCW 202 202-10	NAW 202 202-10	–	SA 202 202-10	SB 202 202-10	–												
UCW 203	NAW 203		SA 203	SB 203													
UC 201 201-8	NA 201 201-8	ER 201 201-8				2740	2390	1890	1510	1320	1110	910	835	770	725	655	575
UC 202 202-10	NA 202 202-10	ER 202 202-10															
UC 203	NA 203	ER 203	SA 204-12 204	SB 204-12 204													
UC 204-12 204	NA 204-12 204	ER 204-12 204															
UC 205-14 205-15 205 205-16	NA 205-14 205-15 205 205-16	ER 205-14 205-15 205 205-16	SA 205-14 205-15 205 205-16	SB 205-14 205-15 205 205-16	–	3010	2625	2085	1650	1450	1210	1000	915	845	800	725	630
UC 206-17 206-18 206 206-19 206-20	NA 206-17 206-18 206 206-19 206-20	ER 206-17 206-18 206 206-19 206-20	SA 206-17 206-18 206 206-19 206-20	SB 206-17 206-18 206 206-19 206-20	UC X05-14 X05-15 X05 X05-16	4200	3670	2910	2290	2010	1695	1390	1265	1170	1100	990	860
UC 207-20 207-21 207-22 207 207-23	NA 207-20 207-21 207-22 207 207-23	ER 207-20 207-21 207-22 207 207-23	SA 207-20 207-21 207-22 207 207-23	SB 207-20 207-21 207-22 207 207-23	UC X06-18 X06 X06-19 X06-20	5535	4820	3850	3050	2680	2250	1850	1680	1560	1420	1325	1155
UC 208-24 208-25 208	NA 208-24 208-25 208	ER 208-24 208-25 208	SA 208-24 208-25 208	SB 208-24 208-25 208	UC X07-22 X07 X07-23	6375	5560	4410	3490	3040	2550	2100	1895	1755	1655	1505	–
UC 209-26 209-27 209-28 209	NA 209-26 209-27 209-28 209	ER 209-26 209-27 209-28 209	SA 209-26 209-27 209-28 209	–	UC X08-24 X08	7110	6210	4915	3910	3400	2880	2355	2150	1990	1875	1700	–
UC 210-30 210-31 210 210-32	NA 210-30 210-31 210 210-32	ER 210-30 210-31 210 210-32	SA 210-30 210-31 210 210-32	–	UC X09-26 X09-27 X09-28 X09	7400	6465	5140	4075	3560	3000	2460	2240	2075	1970	1740	–
UC 211-32 211-34 211 211-35	NA 211-32 211-34 211 211-35	ER 211-32 211-34 211 211-35	SA 211-32 211-34 211 211-35	–	UC X10-30 X10-31 X10 X10-32	9490	8290	6575	5220	4560	3825	3140	2840	2635	2460	2240	–
UC 212-36 212 212-38 212-39	NA 212-36 212 212-38 212-39	ER 212-36 212 212-38 212-39	–	–	UC X11-34 X11 X11-35 X11-36	11,500	10,050	7965	6335	5525	4655	3775	3450	3200	3000	–	–
UC 213-40 213	NA 213-40 213	–	–	–	UC X12 X12-38 X12-39	12,400	10,810	8690	6860	6030	5030	4180	3780	3470	3260	–	–
UC 214-44 214	NA 214-44 214	–	–	–	UC X13-40 X13	13,530	11,820	9450	7480	6480	5520	4540	4110	3820	3510	–	–
UC 215-47 215 215-48	NA 215-47 215 215-48	ER 215-47 215 215-48	–	–	UC X14-44 X14	14,620	12,745	10,210	8100	7090	5980	4900	4400	4110	3860	–	–
UC 216	–	–	–	–	UC X15-47 X15 X15-48	15,970	13,950	11,070	8160	6470	5650	5150	4840	4490	4200	–	–
UC 218-56 218	–	–	–	–	UC X17 X17-55 X17-56	21,120	18,460	14,650	10,780	8560	7480	6800	6400	5940	–	–	–
–	–	–	–	–	UC X20 X20-63 X20-64	29,300	25,600	20,300	16100	14,100	11,900	9770	8870	–	–	–	–

\*52100 Bearing Steel Only

# Bearing Inserts • Materials and Tolerances

## Materials of Bearings

### Standard Bearing Inserts

Inner and outer rings, as well as balls, are made from vacuum degassed 52100 bearing steel. Composed of high carbon, chrome alloy, 52100 steel offers great longevity as it is very resistant to deformation and fatigue.

### Stainless Steel & Hard Chrome Coated Bearing Inserts

See page 48 for component detail.

## Tolerances of Rings

### Outer Ring

Unit=.0001 in.

Nominal Outside Diameter				Outside Diameter		Radial Run-out (max.)
D				Tolerance of Diameter		
Over		Including		High	Low	
mm	in.	mm	in.			
30	1.1811	50	1.9685	0	- 4	8
50	1.9685	80	3.1496	0	- 5	10
80	3.1496	120	4.7244	0	- 6	14
120	4.7244	150	5.9055	0	- 7	16
150	5.9055	180	7.0866	0	-10	18
180	7.0866	250	9.8425	0	-12	20
250	9.8425	315	12.4016	0	-14	24

### Inner Ring

Unit=.0001 in.

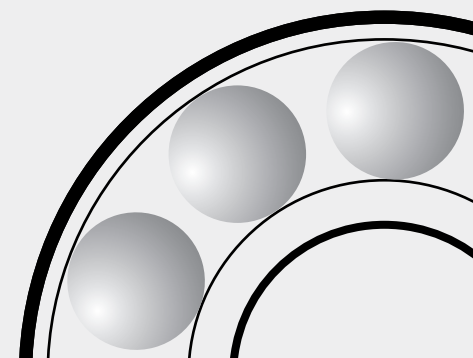
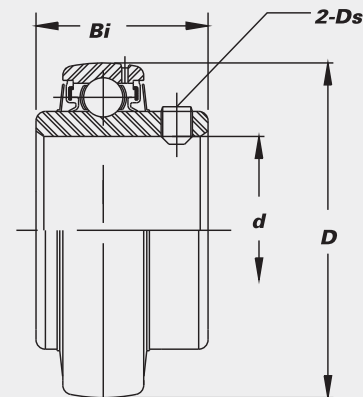
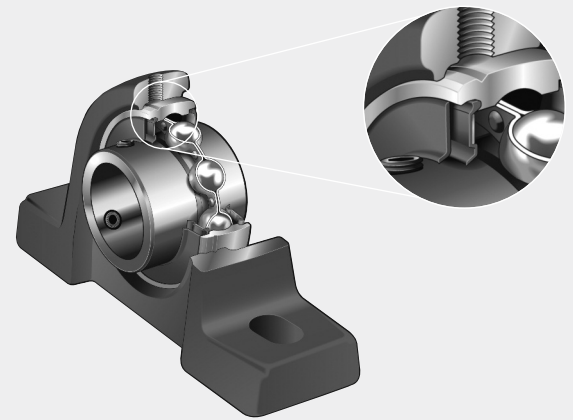
Nominal Bore Diameter				Bore Diameter				Inner Ring Width		Radial Run-outs (Max.)
d				dm		d		Bi		
Over		Including		max.	min.	max.	min.	max.	min.	
mm	in.	mm	in.	max.	min.	max.	min.	max.	min.	
10	0.3937	18	0.7087	+ 7	0	+ 9	- 2	0	- 47	6
18	0.7087	30	1.1811	+ 8	0	+10	- 2	0	- 47	7
30	1.1811	50	1.9685	+10	0	+12	- 2	0	- 47	8
50	1.9685	80	3.1496	+12	0	+14	- 2	0	- 59	10
80	3.1496	120	4.7244	+14	0	+17	- 3	0	- 79	12
120	4.7244	180	7.0866	+16	0	+19	- 3	0	- 98	14

## Internal Clearances

The Normal or C<sub>0</sub> fit is generally accepted as an industry standard, and is, therefore, adopted as our standard clearance. However, other fits are available to accommodate extreme temperatures or low tolerance applications where slow r.p.m.s allow for a tighter fit.

Unit=.0001 in.

Bore Diameter				C <sub>2</sub>		Normal		C <sub>3</sub>		C <sub>4</sub>	
Over		Including		min.	max.	min.	max.	min.	max.	min.	max.
mm	in.	mm	in.								
10	0.3937	18	0.7087	0	3	2	6	5	9	8	12
18	0.7087	24	0.9449	0	3.5	3	7	6	10	9	13
24	0.9449	30	1.1811	0	4	3	7	6	10	10	15
30	1.1811	40	1.5748	0	4	3	7	7	12	12	17
40	1.5748	50	1.9685	0	4	3	8	8	13	13	19
50	1.9685	65	2.5591	0	5	4	10	10	16	16	23
65	2.5591	80	3.1496	0	5	5	11	11	19	19	27
80	3.1496	100	3.9370	0	6	6	13	13	22	22	32
100	3.9370	120	4.7244	0	7	7	15	15	25	25	37



TECHNICAL INFORMATION

# Installation & Lubrication

## Shaft Tolerances

Shaft Diameter	Shaft Tolerance
1/2" - 1 15/16"	Nominal to - .0005"
2" - 3 3/16"	Nominal to - .0010"
3 1/4" - Up	Nominal to - .0015"

For maximum life, **IPTCI** recommends a fit as close to nominal as possible. Turned and ground shafting is also beneficial as it tends to be rounder, straighter and free of burrs or other flaws.

## Mounting Instructions

When mounting, always clean shafting and bearing bore. Then, having coated the shaft with a light oil, slide the bearing unit on the shaft to its correct position. It may be necessary to use a soft mallet and/or pipe, on the inner ring only, to reach the correct position. Never pound on, or apply pressure to, the outside ring! Once the bearing unit is in position, precise alignment can be achieved by first fixing the housing in place, then simultaneously rotating and tapping the shaft with a soft mallet. This should be accomplished before any locking collar or set screw is tightened.

When mounting a locking collar bearing, use a spanner wrench or punch to lock the collar in place — always in the direction of shaft rotation. Then tighten set screw. Do not use locking collar bearings for bi-directional applications.

When mounting set screw locking bearings we recommend the following torque settings:

### Mild steel set screws - for standard bearing inserts

Set Screw Size	Max. Recommended Torque (in./lbs.)
10-32	28
1/4 - 28	66
5/16 - 24	126
3/8 - 24	228
7/16 - 20	306
1/2 - 20	330

### 400 series stainless set screws for SUC, SUCX, SSB, SNA & CUC bearing inserts

Set Screw Size	Max. Recommended Torque (in./lbs.)
1/4 - 28	54
5/16 - 24	110
3/8 - 24	205

## Lubrication

All IPTCI bearing units are factory prelubricated and, therefore, do not require supplemental grease before service life begins. Relubrication, when administered correctly, can increase the life of a bearing substantially. IPTCI recommends the following general guidelines to maximize your bearing life:

RPM	Temperature	Environmental Condition	Interval
100	32° F - 120° F	Clean	6-12 months
500	32° F - 150° F	Clean	2-6 months
1,000	32° F - 210° F	Clean	2 weeks to 2 months
1,500	Over 210° F	Clean	Daily to weekly
Any	32°F - 150° F	Dirty	Weekly to monthly
Any	Over 150° F	Dirty	Daily to 2 weeks
Any	Any Temp.	Very Dirty	Daily to weekly
Any	Any Temp.	Extremely Dirty	Daily to weekly

### NOTE:

Overlubrication is a major cause of bearing failures. Please relubricate conservatively when unsure of bearing requirements.

When selecting a bearing lubricant, **IPTCI** suggests any lithium-based NLGI #2 grease. For operating temperatures higher than 210° F, please consult **IPTCI**.

# Common Fractions of an Inch

## Decimal and Metric Equivalents

FRACTION	DECIMAL	MM	FRACTION	DECIMAL	MM	
	1/64	0.01562	0.397	33/64	0.51562	13.097
1/32	0.03125	0.794	17/32	0.53125	13.494	
	3/64	0.04688	1.191	35/64	0.54688	13.891
1/16	0.06250	1.588	9/16	0.56250	14.288	
	5/64	0.07812	1.984	37/64	0.57812	14.684
3/32	0.09375	2.381	19/32	0.59375	15.081	
	7/64	0.10938	2.778	39/64	0.60938	15.478
1/8	0.12500	3.175	5/8	0.62500	15.875	
	9/64	0.14062	3.572	41/64	0.64062	16.272
5/32	0.15625	3.969	21/32	0.65625	16.669	
	11/64	0.17188	4.366	43/64	0.67188	17.066
3/16	0.18750	4.763	11/16	0.68750	17.463	
	13/64	0.20312	5.159	45/64	0.70312	17.859
7/32	0.21875	5.556	23/32	0.71875	18.256	
	15/64	0.23438	5.953	47/64	0.73438	18.653
1/4	0.25000	6.350	3/4	0.75000	19.050	
	17/64	0.26562	6.747	49/64	0.76562	19.447
9/32	0.28125	7.144	25/32	0.78125	19.844	
	19/64	0.29688	7.541	51/64	0.79688	20.241
5/16	0.31250	7.938	13/16	0.81250	20.638	
	21/64	0.32812	8.334	53/64	0.82812	21.034
11/32	0.34375	8.731	27/32	0.84375	21.431	
	23/64	0.35938	9.128	55/64	0.85938	21.828
3/8	0.37500	9.525	7/8	0.87500	22.225	
	25/64	0.39062	9.922	57/64	0.89062	22.622
13/32	0.40625	10.319	29/32	0.90625	23.019	
	27/64	0.42188	10.716	59/64	0.92188	23.416
7/16	0.43750	11.113	15/16	0.93750	23.813	
	29/64	0.45312	11.509	61/64	0.95312	24.209
15/32	0.46875	11.906	31/32	0.96875	24.606	
	31/64	0.48438	12.303	63/64	0.98438	25.003
1/2	0.50000	12.700	1/1	1.00000	25.400	

# Terms & Conditions of Sale

## Limitation of Liability

Seller warrants that the merchandise sold hereunder shall be free from defects in material and workmanship for a period of one (1) year from the delivery date of the merchandise to an end user or eighteen (18) months from the date from seller's shipment to buyer, whichever shall occur first. Seller's sole and exclusive obligation and liability during the warranty period shall be at its option to replace or repair any nonconforming or defective merchandise, or refund buyers purchase price thereof. **The foregoing warranty shall be the sole and exclusive liability of seller, and is in lieu of all other warranties expressed, implied, or statutory, including but not limited to, any implied warranty of merchantability or fitness of purpose or use.** Seller neither assumes or authorizes buyer to assume for it any other obligation or liability in connection with the merchandise without seller's express prior written consent. In no event shall seller be liable for punitive, special, consequential or incidental damages, or for the loss of profits of buyer, its customers, or other end users of the merchandise. This warranty shall not extend to merchandise which has been modified, altered, or otherwise subjected to abuse, misuse, neglect, or improper maintenance.

Seller shall be excused from non-performance or delay in the case of force majeure, including strikes, lock-outs and other labor disputes, wars, blockades, revolutions, civil strifes, riots, disturbances, acts of the enemy, accidents, typhoons, hurricanes, fires, floods, earthquakes, diseases, other perils, lack of raw materials, governmental prohibition on exportation, or refusal to issue export licenses where required, and other causes beyond the control of seller.

This limitation of liability constitutes the complete and exclusive statement of the agreement between the seller and buyer, and on behalf of end user, related to the subject matter hereof. Any provisions, terms or conditions of buyer's purchase order or similar forms which are, in any way inconsistent with or in addition to the terms of this limitation of liability shall not be binding upon seller and shall have no application to the parties hereto or the parts sold and services performed hereunder.

## Prices and Acceptance

All quoted prices are subject to change without notice. Orders not accepted in writing by **IPTCI** shall not be considered binding.

## Terms

Payment terms are net cash within 30 days of invoice.

## Minimum Charge

The minimum charge on any order is \$25.

## Shipments

Unless otherwise stated, all shipments are F.O.B. factory. All shortage, damage, or non-delivery claims shall be made by the consignee to the carrier. All claims must be submitted within 60 days from the date of shipment, with copy to consignor.

Our shipping staff attempts to route all freight using the most efficient and competitively priced carriers. Any additional costs incurred by the use of premium rates, or expediting services will be added to our invoice.

## Freight Allowance

**IPTCI** will pay the freight charges on all \$1,800+ shipments\* when ordered at standard distributor discounts. This can include any assortment of products listed in the catalog. Note: Any freight prepaid orders will ship via the carrier of **IPTCI's** choice.

\*Continental 48 states only

## Returns

No goods will be accepted for return without prior written authorization from **IPTCI** in the form of an issued Returned Goods Authorization (RGA). Issued RGA's will be valid for 30 days passed issuance. With the exception of defective goods or misshipments, all returns will be subject to a 25% restocking fee, plus return freight. No goods will be accepted for return after 1 year past date of invoice.