

Maximum Rating Tables

Size 813 • GR, NH, EL Series



Single Reduction
Worm Gear Reducers

Double Reduction
Worm - Worm Gear Reducers

Double Reduction
Helical - Worm Gear Reducers

WASHGUARD® Reducers
and GEAR+MOTOR™

Ratio Multipliers

Accessories and
Additional Capabilities

Style B

Style H



Size 813

| Ratio | Input RPM | Output RPM | Input HP | Output HP | Output Torque (lb-in) | Left Hand Catalog No. | Right Hand Catalog No. | Double Extension Catalog No. | Hollow Output Catalog No. |
|------------|-----------|------------|----------|-----------|-----------------------|-----------------------|------------------------|------------------------------|---------------------------|
| 5 | 2500 | 500 | 1.528 | 1.429 | 180 | _8130001 | _8130013 | _8130025 | _8130501.10 |
| | 1750 | 350 | 1.248 | 1.158 | 209 | | | | |
| | 1170 | 234 | 0.952 | 0.872 | 235 | | | | |
| | 100 | 20 | 0.140 | 0.095 | 298 | | | | |
| 7.5 | 2500 | 333 | 1.281 | 1.178 | 223 | _8130002 | _8130014 | _8130026 | _8130502.10 |
| | 1750 | 233 | 1.025 | 0.933 | 252 | | | | |
| | 1170 | 156 | 0.770 | 0.689 | 278 | | | | |
| | 100 | 13 | 0.118 | 0.072 | 339 | | | | |
| 10 | 2500 | 250 | 1.016 | 0.912 | 230 | _8130003 | _8130015 | _8130027 | _8130503.10 |
| | 1750 | 175 | 0.823 | 0.729 | 263 | | | | |
| | 1170 | 117 | 0.626 | 0.543 | 293 | | | | |
| | 100 | 10 | 0.103 | 0.058 | 363 | | | | |
| 15 | 2500 | 166 | 0.790 | 0.678 | 257 | _8130004 | _8130016 | _8130028 | _8130504.10 |
| | 1750 | 116 | 0.642 | 0.541 | 292 | | | | |
| | 1170 | 78 | 0.491 | 0.402 | 325 | | | | |
| | 100 | 6.7 | 0.090 | 0.042 | 401 | | | | |
| 20 | 2500 | 125 | 0.681 | 0.562 | 283 | _8130005 | _8130017 | _8130029 | _8130505.10 |
| | 1750 | 87 | 0.551 | 0.445 | 320 | | | | |
| | 1170 | 58 | 0.422 | 0.328 | 354 | | | | |
| | 100 | 5.0 | 0.084 | 0.034 | 431 | | | | |
| 25 | 2500 | 100 | 0.544 | 0.431 | 272 | _8130006 | _8130018 | _8130030 | _8130506.10 |
| | 1750 | 70 | 0.445 | 0.344 | 309 | | | | |
| | 1170 | 46 | 0.344 | 0.255 | 344 | | | | |
| | 100 | 4.0 | 0.074 | 0.027 | 423 | | | | |
| 30 | 2500 | 83 | 0.481 | 0.364 | 276 | _8130007 | _8130019 | _8130031 | _8130507.10 |
| | 1750 | 58 | 0.395 | 0.290 | 314 | | | | |
| | 1170 | 39 | 0.308 | 0.215 | 348 | | | | |
| | 100 | 3.3 | 0.071 | 0.023 | 429 | | | | |
| 40 | 2500 | 62 | 0.400 | 0.283 | 285 | _8130008 | _8130020 | _8130032 | _8130508.10 |
| | 1750 | 43 | 0.329 | 0.223 | 322 | | | | |
| | 1170 | 29 | 0.258 | 0.165 | 355 | | | | |
| | 100 | 2.5 | 0.066 | 0.017 | 432 | | | | |
| 50 | 2500 | 50 | 0.346 | 0.232 | 292 | _8130009 | _8130021 | _8130033 | _8130509.10 |
| | 1750 | 35 | 0.285 | 0.182 | 327 | | | | |
| | 1170 | 23 | 0.224 | 0.133 | 359 | | | | |
| | 100 | 2.0 | 0.061 | 0.014 | 431 | | | | |
| 60 | 2500 | 41 | 0.297 | 0.184 | 279 | _8130010 | _8130022 | _8130034 | _8130510.10 |
| | 1750 | 29 | 0.246 | 0.145 | 313 | | | | |
| | 1170 | 19 | 0.195 | 0.107 | 345 | | | | |
| | 100 | 1.7 | 0.058 | 0.011 | 415 | | | | |
| 80 | 2500 | 31 | 0.144 | 0.081 | 163 | _8130011 | _8130023 | _8130035 | _8130511.10 |
| | 1750 | 21 | 0.121 | 0.064 | 183 | | | | |
| | 1170 | 14 | 0.096 | 0.047 | 201 | | | | |
| | 100 | 1.3 | 0.014 | 0.005 | 237 | | | | |
| 100 | 2500 | 25 | 0.100 | 0.051 | 128 | _8130012 | _8130024 | _8130036 | _8130512.10 |
| | 1750 | 17 | 0.084 | 0.040 | 143 | | | | |
| | 1170 | 11 | 0.067 | 0.029 | 156 | | | | |
| | 100 | 1.0 | 0.010 | 0.003 | 184 | | | | |

How To Build a Part Number For Size GR813, NH813, EL813

1. Select partial catalog number from the selection table
2. Replace leading “_” with series code (GR, NH, EL)

Example:

Grove Gear IRONMAN, style B, 5:1 ratio, left hand output
GR-B813-5-L
GR8130001

Single Reduction
Worm Gear Reducers

Double Reduction
Worm - Worm Gear Reducers

Double Reduction
Helical - Worm Gear Reducers

WASHGUARD® Reducers
and GEAR+MOTOR™

Ratio Multipliers

Accessories and
Additional Capabilities

| NEMA C Input Flange ▲ | Style BM | | | Style HM | Style BMQ | | | Style HMQ | Ratio |
|-----------------------------|--------------------------|---------------------------|---------------------------------|------------------------------|--------------------------|---------------------------|---------------------------------|------------------------------|-------|
| | Left Hand Catalog No. | Right Hand Catalog No. | Double Extension Catalog No. | Hollow Output Catalog No. | Left Hand Catalog No. | Right Hand Catalog No. | Double Extension Catalog No. | Hollow Output Catalog No. | |
| 48CZ 56C | __8130109 __8130037 | __8130121 __8130049 | __8130133 __8130061 | __8130537.10 __8130513.10 | __8130181 __8130073 | __8130193 __8130085 | __8130205 __8130097 | __8130561.10 __8130525.10 | 5 |
| 48CZ 56C | __8130110 __8130038 | __8130122 __8130050 | __8130134 __8130062 | __8130538.10 __8130514.10 | __8130182 __8130074 | __8130194 __8130086 | __8130206 __8130098 | __8130562.10 __8130526.10 | 7.5 |
| 48CZ 56C | __8130111 __8130039 | __8130123 __8130051 | __8130135 __8130063 | __8130539.10 __8130515.10 | __8130183 __8130075 | __8130195 __8130087 | __8130207 __8130099 | __8130563.10 __8130527.10 | 10 |
| 48CZ 56C | __8130112 __8130040 | __8130124 __8130052 | __8130136 __8130064 | __8130540.10 __8130516.10 | __8130184 __8130076 | __8130196 __8130088 | __8130208 __8130100 | __8130564.10 __8130528.10 | 15 |
| 48CZ 56C | __8130113 __8130041 | __8130125 __8130053 | __8130137 __8130065 | __8130541.10 __8130517.10 | __8130185 __8130077 | __8130197 __8130089 | __8130209 __8130101 | __8130565.10 __8130529.10 | 20 |
| 48CZ 56C | __8130114 __8130042 | __8130126 __8130054 | __8130138 __8130066 | __8130542.10 __8130518.10 | __8130186 __8130078 | __8130198 __8130090 | __8130210 __8130102 | __8130566.10 __8130530.10 | 25 |
| 48CZ 56C | __8130115 __8130043 | __8130127 __8130055 | __8130139 __8130067 | __8130543.10 __8130519.10 | __8130187 __8130079 | __8130199 __8130091 | __8130211 __8130103 | __8130567.10 __8130531.10 | 30 |
| 48CZ 56C | __8130116 __8130044 | __8130128 __8130056 | __8130140 __8130068 | __8130544.10 __8130520.10 | __8130188 __8130080 | __8130200 __8130092 | __8130212 __8130104 | __8130568.10 __8130532.10 | 40 |
| 48CZ 56C | __8130117 __8130045 | __8130129 __8130057 | __8130141 __8130069 | __8130545.10 __8130521.10 | __8130189 __8130081 | __8130201 __8130093 | __8130213 __8130105 | __8130569.10 __8130533.10 | 50 |
| 48CZ 56C | __8130118 __8130046 | __8130130 __8130058 | __8130142 __8130070 | __8130546.10 __8130522.10 | __8130190 __8130082 | __8130202 __8130094 | __8130214 __8130106 | __8130570.10 __8130534.10 | 60 |
| 48CZ 56C | __8130119 __8130047 | __8130131 __8130059 | __8130143 __8130071 | __8130547.10 __8130523.10 | __8130191 __8130083 | __8130203 __8130095 | __8130215 __8130107 | __8130571.10 __8130535.10 | 80 |
| 48CZ 56C | __8130120 __8130048 | __8130132 __8130060 | __8130144 __8130072 | __8130548.10 __8130524.10 | __8130192 __8130084 | __8130204 __8130096 | __8130216 __8130108 | __8130572.10 __8130536.10 | 100 |

For input/ output shaft overhung load and thrust load ratings, refer to pages 419-422.

▲ Consult Factory for other motor flanges available.



GR Series Dimensions

Styles: BMQ, BM, B

**CAST IRON
GR SERIES**

Single Reduction
Worm Gear Reducers

Double Reduction
Worm - Worm Gear Reducers

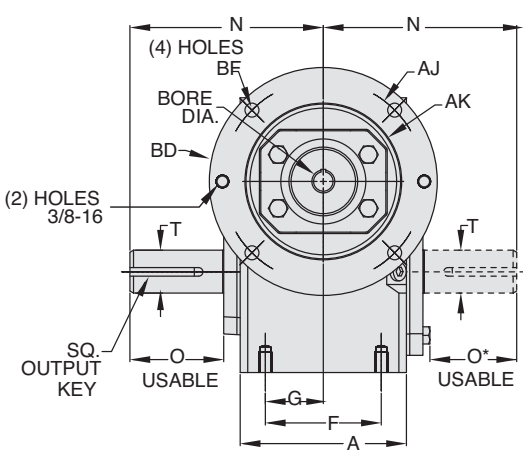
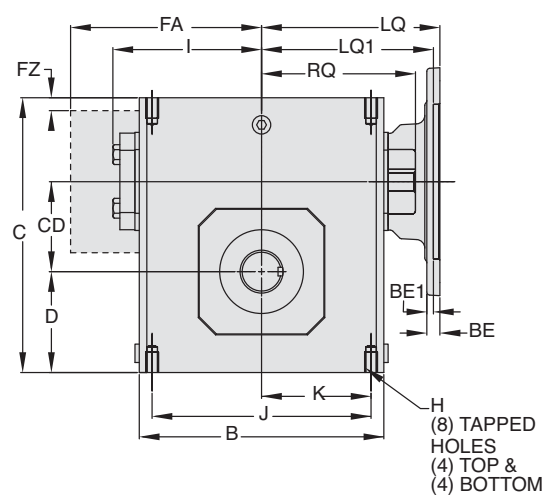
Double Reduction
Helical - Worm Gear Reducers

WASHGUARD® Reducers
and GEAR+MOTOR™

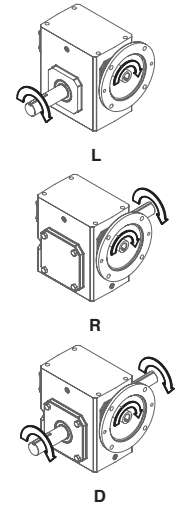
Ratio Multipliers

Accessories and
Additional Capabilities

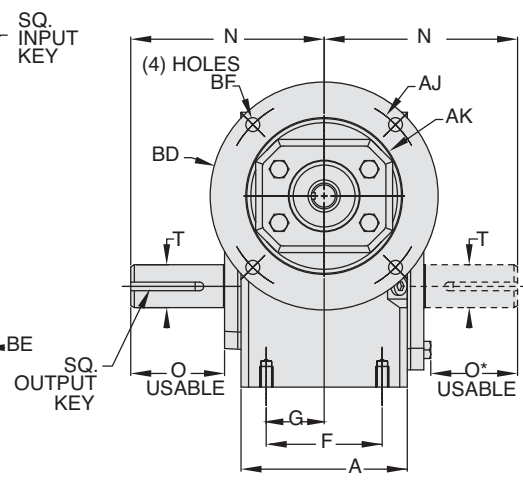
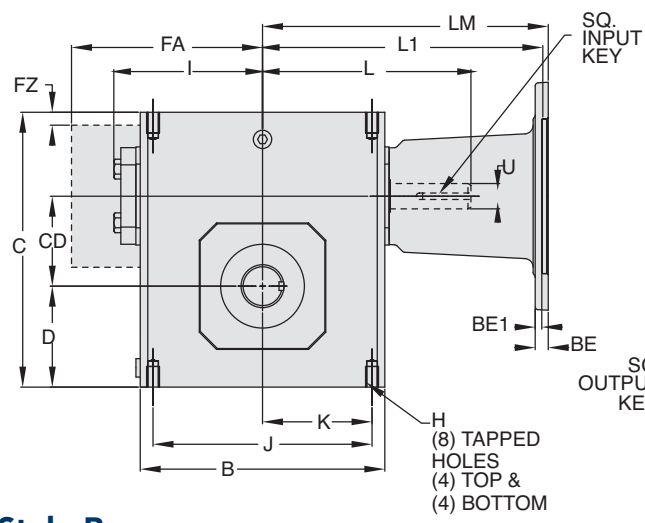
Style BMQ



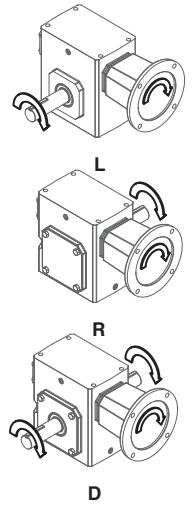
ASSEMBLIES



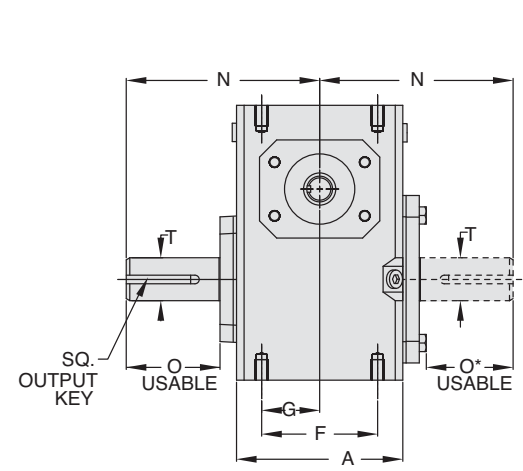
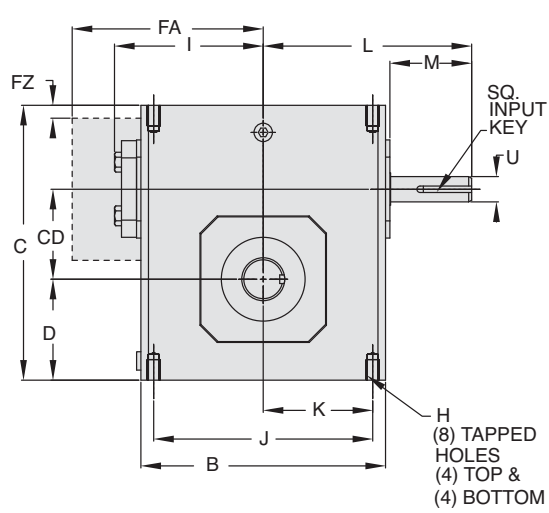
Style BM



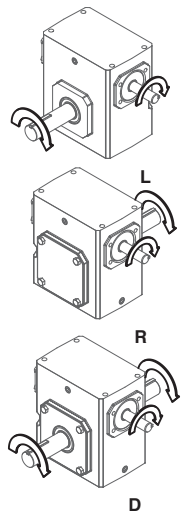
ASSEMBLIES



Style B



ASSEMBLIES



REVERSE ALL ARROWS
FOR OPPOSITE INPUT SHAFT
ROTATION. CONTACT FACTORY
FOR OTHER MOUNTINGS OR
ASSEMBLY POSITIONS.



STYLE BMQ, BM, B DIMENSIONS (Inches)

| Size | A | B | C | D | CD | F | FA ▼ | FZ ▼ | G | H | | I | J | K | L | M | N | O | O* | T +0.000 -0.0015 | U +0.000 -0.0015 | Input Key* | Output Key |
|--------|------|-------|-------|-------|-------|------|-------|------|------|--------------|-------|------|-------|------|-------|------|-------|------|------|------------------------|------------------------|---------------|---------------|
| | | | | | | | | | | Tap Size | Depth | | | | | | | | | | | | |
| GR813 | 2.82 | 3.80 | 4.66 | 1.72 | 1.33 | 2.00 | N/A | N/A | 1.00 | 5/16-18 UNC | .50 | 2.61 | 3.25 | 1.63 | 3.82 | 1.76 | 4.00 | 2.16 | 1.94 | .625 | .500 | 1/8 X 1.00 | 3/16 X 1.50 |
| GR815 | 3.44 | 4.88 | 5.38 | 1.91 | 1.54 | 2.75 | N/A | N/A | 1.38 | 5/16-18 UNC | .63 | 3.14 | 4.19 | 2.09 | 4.35 | 1.76 | 4.31 | 2.11 | 1.90 | .750 | .625 | 3/16 X 1.38 | 3/16 X 1.50 |
| GR818 | 3.56 | 5.06 | 5.75 | 2.06 | 1.75 | 2.75 | N/A | N/A | 1.38 | 5/16-18 UNC | .63 | 3.24 | 4.19 | 2.09 | 4.45 | 1.76 | 4.31 | 2.05 | 1.84 | .875 | .625 | 3/16 X 1.38 | 3/16 X 1.38 |
| GR821 | 3.81 | 5.80 | 6.38 | 2.28 | 2.06 | ▲ | N/A | N/A | 1.44 | 5/16-18 UNC | .63 | 3.61 | ▲ | 2.50 | 4.82 | 1.76 | 4.68 | 2.29 | 2.08 | 1.000 | .625 | 3/16 X 1.38 | 1/4 X 1.44 |
| GR824 | 4.06 | 6.12 | 6.94 | 2.50 | 2.38 | 2.88 | N/A | N/A | 1.44 | 3/8-16 UNC | .69 | 3.77 | 5.00 | 2.50 | 5.51 | 2.38 | 5.14 | 2.66 | 2.44 | 1.125 | .750 | 3/16 X 1.63 | 1/4 X 1.75 |
| GR826 | 4.84 | 7.12 | 8.00 | 2.94 | 2.63 | 3.38 | N/A | N/A | 1.69 | 3/8-16 UNC | .69 | 4.34 | 6.38 | 3.19 | 6.07 | 2.38 | 5.63 | 2.73 | 2.52 | ▲ | .750 | 3/16 X 1.63 | 1/4 X 1.75 |
| GR830 | 5.25 | 8.12 | 8.88 | 3.25 | 3.00 | 4.00 | N/A | N/A | 2.00 | 7/16-14 UNC | .88 | 4.84 | 7.00 | 3.50 | 6.57 | 2.38 | 6.75 | 3.60 | 3.36 | 1.250 | .875 | 3/16 X 1.63 | 1/4 X 1.75 |
| GR832 | 5.75 | 8.50 | 9.38 | 3.50 | 3.25 | 4.00 | N/A | N/A | 2.00 | 7/16-14 UNC | .88 | 5.02 | 7.50 | 3.75 | 6.76 | 2.38 | 7.06 | 3.66 | 3.42 | ▲ | .875 | 3/16 X 1.63 | ▲ |
| GR842 | 6.13 | 10.25 | 11.38 | 4.44 | 4.25 | 5.00 | N/A | N/A | 2.50 | 5/8-11 UNC | 1.00 | 6.10 | 8.50 | 4.25 | 9.57 | 3.47 | 8.12 | 4.50 | 4.21 | 1.875 | 1.250 | 1/4 X 2.50 | 1/2 X 3.06 |
| GR852 | 7.19 | 13.00 | 14.00 | 5.12 | 5.25 | 5.81 | N/A | N/A | 2.91 | 5/8-11 UNC | 1.25 | 7.50 | 11.00 | 5.50 | 10.88 | 3.38 | 9.06 | 4.78 | 4.53 | 2.000 | 1.250 | 1/4 X 3.00 | 1/2 X 3.50 |
| GR860 | 8.13 | 14.25 | 16.50 | 6.50 | 6.00 | 6.38 | 11.13 | 0.33 | 3.19 | 5/8-11 UNC | 1.00 | N/A | 12.75 | 6.38 | 11.78 | 3.41 | 10.00 | 4.65 | 4.65 | 2.500 | 1.500 | 3/8 X 3.00 | 5/8 X 4.00 |
| GR870 | 7.63 | 14.88 | 18.91 | 7.59 | 7.00 | 5.50 | 11.37 | 0.35 | 2.75 | 1-8 UNC | 1.56 | N/A | 12.50 | 6.25 | 11.50 | 2.97 | 11.76 | 5.65 | 5.65 | 2.750 | 1.625 | 3/8 x 2.87** | 5/8 x 4.00** |
| GR880 | 8.63 | 17.00 | 20.96 | 8.86 | 8.00 | 6.50 | 12.52 | 0.57 | 3.25 | 1-8 UNC | 1.66 | N/A | 14.25 | 7.13 | 12.50 | 2.84 | 12.25 | 5.98 | 5.98 | 3.000 | 1.875 | 1/2 x 2.81** | 3/4 x 4.50** |
| GR8100 | 9.53 | 20.88 | 25.47 | 10.36 | 10.00 | 6.88 | 14.69 | 0.51 | 3.44 | 1-1/4 -7 UNC | 2.04 | N/A | 17.75 | 8.88 | 15.50 | 3.76 | 14.75 | 6.76 | 6.76 | 3.750 | 2.250 | 1/2 x 3.69** | 7/8 x 5.00** |

▲ See feature comparison chart.

FEATURE COMPARISON (821, 826, 832)

| Size | Output Shaft Diameter Needed? | Mounting Footprint Needed? | Output Key Needed? | All Other Features | Grove Gear Flexaline Interchange | LEESON IRONMAN Interchange | Replace With Series Code Below: |
|------|-------------------------------|----------------------------|--------------------|--------------------|----------------------------------|----------------------------|---------------------------------|
| 821 | Identical | (F)3.00" x (J)4.75" | Identical | Identical | ✓ | ✓ | GRG |
| | | (F)2.88" x (J)5.00" | | | | | GRL |
| 826 | 1.250" | Identical | Identical | Identical | ✓ | ✓ | GRG |
| | 1.125" | | | | | | GRL |
| 832 | 1.500" | Identical | 3/8 x 2.63 | Identical | ✓ | ✓ | GRG |
| | 1.375" | | 5/16 x 2.63 | | | | GRL |

Motor Mounting Dimensions

NEMA DIMENSIONS (Inches)

| Size | LM | | 180TC/210TC | L1 | LQ | 180TC | LQ1 | 250TC | 48CZ/56C/140TC | RQ | | |
|--------|------|-----------|-------------|-------|-------|-------|------|-------|----------------|-------|-------|-------|
| | 48CZ | 56C/140TC | | | | | | | | 180TC | 210TC | 250TC |
| GR813 | 5.63 | 6.07 | N/A | N/A | 3.46 | N/A | N/A | N/A | 3.09 | N/A | N/A | N/A |
| GR815 | 6.16 | 6.60 | N/A | N/A | 3.99 | N/A | N/A | N/A | 3.62 | N/A | N/A | N/A |
| GR818 | 6.26 | 6.70 | N/A | N/A | 4.09 | N/A | N/A | N/A | 3.59 | N/A | N/A | N/A |
| GR821* | 6.63 | 7.07 | N/A | N/A | 4.46 | N/A | N/A | N/A | 4.06 | N/A | N/A | N/A |
| GR824 | N/A | 7.76 | 8.76 | N/A | 4.63 | 5.06 | N/A | N/A | 4.09 | 4.56 | N/A | N/A |
| GR826* | N/A | 8.32 | 9.32 | N/A | 5.19 | 5.62 | N/A | N/A | 4.82 | 5.13 | N/A | N/A |
| GR830 | N/A | 8.82 | 9.82 | N/A | 5.95 | 6.15 | 6.56 | N/A | 5.32 | 5.63 | 6.06 | N/A |
| GR832* | N/A | 9.01 | 10.01 | N/A | 6.14 | 6.34 | 6.75 | N/A | 5.51 | 5.81 | 6.25 | N/A |
| GR842 | N/A | 11.81 | 12.90 | 13.46 | 6.45 | 7.21 | 7.21 | 7.77 | 6.04 | 6.68 | 6.68 | 7.24 |
| GR852 | N/A | 13.21 | 14.30 | 14.86 | 7.85 | 8.61 | 8.61 | 9.17 | 7.35 | 7.98 | 7.98 | 8.54 |
| GR860 | N/A | N/A | 15.88 | 16.50 | 10.45 | 9.33 | 9.33 | 9.94 | 10.01 | 8.69 | 8.69 | 8.69 |
| GR870 | N/A | N/A | 15.50 | 15.50 | N/A | N/A | N/A | N/A | N/A | N/A | N/A | N/A |
| GR880 | N/A | N/A | 16.58 | 16.58 | N/A | N/A | N/A | N/A | N/A | N/A | N/A | N/A |

NEMA DIMENSIONS (Inches)

| Frame | Ajb | AK | BD | BE | BE1 | Bore Dia. | Keyway | BFB |
|-------|------|------|------|------|------|-----------|-------------|------|
| 48CZ | 3.75 | 3.00 | 4.36 | 0.38 | N/A | .500 | 1/8 X 1/16 | 0.28 |
| 56C | 5.88 | 4.50 | 6.50 | 0.38 | N/A | .625 | 3/16 X 3/32 | 0.41 |
| 140TC | 5.88 | 4.50 | 6.50 | 0.38 | N/A | .875 | 3/16 X 3/32 | 0.41 |
| 180TC | 7.25 | 8.50 | 9.00 | N/A | 0.50 | 1.125 | 1/4 X 1/8 | 0.53 |
| 210TC | 7.25 | 8.50 | 9.00 | N/A | 0.50 | 1.375 | 5/16 X 5/32 | 0.53 |
| 250TC | 7.25 | 8.50 | 9.00 | N/A | 0.50 | 1.625 | 3/8 X 3/16 | 0.53 |

IEC B5 & B3/B5 METRIC DIMENSIONS (Inches)

| Size | LQ1 | | | | | RQ | | | | | | |
|--------|------|------|------|------|---------------|-------|------|------|------|------|---------------|-------|
| | D63D | D71D | D80D | D90D | D100LD/D112MD | D132D | D63D | D71D | D80D | D90D | D100LD/D112MD | D132D |
| GR813 | 2.62 | 2.65 | 2.89 | N/A | N/A | N/A | 2.45 | 2.47 | 2.71 | N/A | N/A | N/A |
| GR815 | 3.15 | 3.18 | 3.42 | N/A | N/A | N/A | 2.98 | 3.00 | 3.24 | N/A | N/A | N/A |
| GR818 | 3.25 | 3.28 | 3.52 | N/A | N/A | N/A | 2.95 | 2.97 | 3.21 | N/A | N/A | N/A |
| GR821* | 3.62 | 3.65 | 3.89 | N/A | N/A | N/A | 3.43 | 3.44 | 3.68 | N/A | N/A | N/A |
| GR824 | N/A | 3.72 | 4.34 | N/A | N/A | N/A | 3.46 | 3.71 | N/A | N/A | N/A | N/A |
| GR826* | N/A | 4.28 | 4.90 | 4.90 | 5.30 | N/A | N/A | 4.09 | 4.72 | 4.72 | 5.07 | N/A |
| GR830 | N/A | 4.78 | 5.41 | 5.41 | 5.88 | N/A | N/A | 4.59 | 5.22 | 5.22 | 5.57 | N/A |
| GR832* | N/A | 4.97 | 5.59 | 5.59 | 6.07 | N/A | N/A | 4.78 | 5.41 | 5.41 | 5.76 | N/A |
| GR842 | N/A | N/A | N/A | 6.38 | 6.39 | 7.17 | N/A | N/A | N/A | 6.16 | 6.14 | 6.93 |
| GR852 | N/A | N/A | N/A | 7.78 | 7.78 | 8.57 | N/A | N/A | N/A | 7.46 | 7.45 | 8.24 |

IEC B5 & B3/B5 METRIC DIMENSIONS (MM)

| Frame | AJ | AK | BD | BE | Bore Dia. | Keyway | BF TAP | OD |
|---------------|-----|-----|-----|----|-----------|---------|------------|-----|
| D63D | 115 | 95 | 117 | 10 | 11 | 4 X 2 | M8 X 1.25 | 131 |
| D71D | 130 | 110 | 132 | 11 | 14 | 5 X 2.5 | M8 X 1.25 | 146 |
| D80D | 165 | 130 | 165 | 15 | 19 | 6 X 3 | M10 X 1.50 | 184 |
| D90D | 165 | 130 | 165 | 15 | 24 | 8 X 3.5 | M10 X 1.50 | 184 |
| D100LD/D112MD | 215 | 180 | 216 | 18 | 28 | 8 X 3.5 | M12 X 1.75 | 237 |
| D132D | 265 | 230 | 267 | 18 | 38 | 10 X 4 | M12 X 1.75 | 290 |

- * Applies to double output shaft
- ** Key not provided with gear reducer. Keyway dimension shown.
- ◆ Keyway width by depth
- ⊙ Mounting holes rotated 45 degrees from positions shown on Size GR860, Style BM with frame sizes 180TC-250TC.
- 48CZ not available
- 180TC not available

- ◆ Metric IEC B5 input flange options are available only on quill input styles.
- * Dimensions same for GRG and GRL Series
- * Style B and BM only.
- ▼ Sizes 860-8100 are supplied with a fan. Dimensions refer to fan guard location.
- WARNING** For safety, purchaser or user should provide protective guards over shaft extensions and any couplings, sheaves and belts, sprockets and chains, etc., mounted thereon.

Single Reduction
Worm Gear Reducers

Double Reduction
Worm - Worm Gear Reducers

Double Reduction
Helical - Worm Gear Reducers

WASHGUARD® Reducers
and GEAR-HOTOR™

Ratio Multipliers

Accessories and
Additional Capabilities