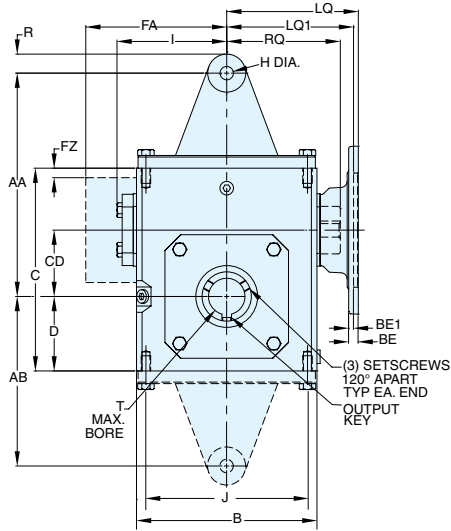




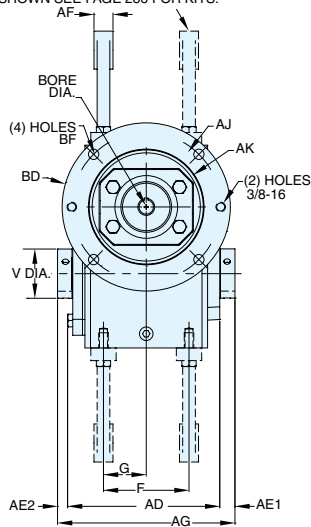
**GR SERIES
DIMENSIONS**
STYLES: HMQ, HM, H



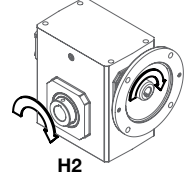
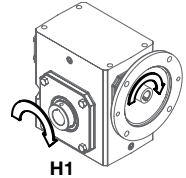
STYLE HMQ



OPTIONAL TORQUE ARM BRACKET
(TORQUE ARM BRACKET IS NOT SUPPLIED WITH REDUCER AS STANDARD);
ALL POSSIBLE MOUNTING POSITIONS
SHOWN SEE PAGE 286 FOR KITS.

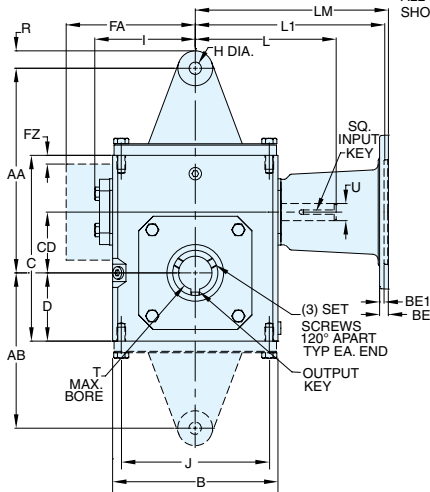


ASSEMBLIES

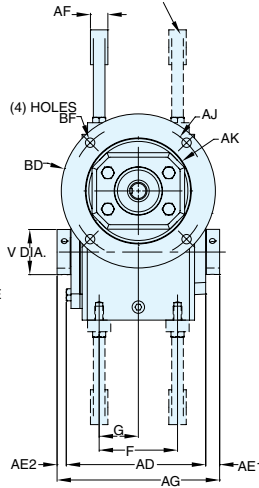


H1 SUPPLIED AS STANDARD UNLESS SPECIFIED.

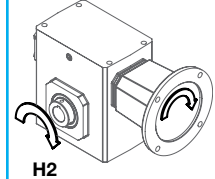
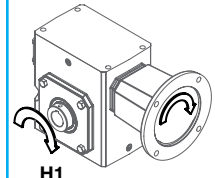
STYLE HM



OPTIONAL TORQUE ARM BRACKET
(TORQUE ARM BRACKET IS NOT SUPPLIED WITH REDUCER AS STANDARD);
ALL POSSIBLE MOUNTING POSITIONS
SHOWN SEE PAGE 286 FOR KITS.

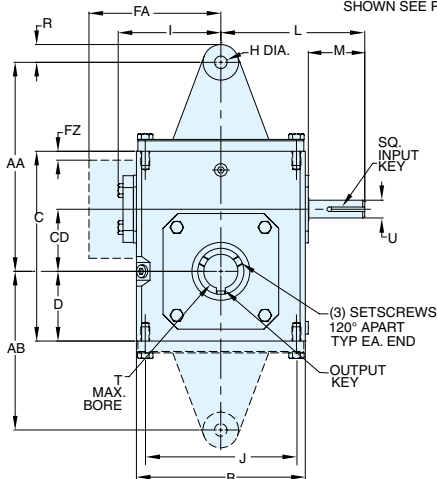


ASSEMBLIES

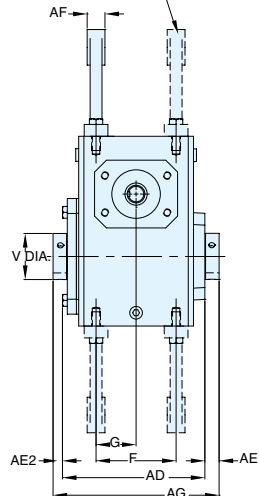


H1 SUPPLIED AS STANDARD UNLESS SPECIFIED.

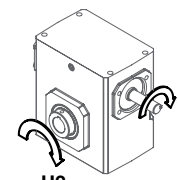
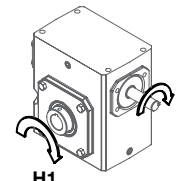
STYLE H



OPTIONAL TORQUE ARM BRACKET
(TORQUE ARM BRACKET IS NOT SUPPLIED WITH REDUCER AS STANDARD);
ALL POSSIBLE MOUNTING POSITIONS
SHOWN SEE PAGE 286 FOR KITS.



ASSEMBLIES



REVERSE ALL ARROWS FOR OPPOSITE INPUT SHAFT ROTATION. CONTACT FACTORY FOR OTHER MOUNTINGS OR ASSEMBLY POSITIONS.

H1 SUPPLIED AS STANDARD UNLESS SPECIFIED.

