

Maximum Rating Tables

Size 818 • GR, NH, EL Series



Single Reduction
Worm Gear Reducers

Double Reduction
Worm - Worm Gear Reducers

Double Reduction
Helical - Worm Gear Reducers

WASHGUARD® Reducers
and GEAR+MOTOR™

Ratio Multipliers

Accessories and
Additional Capabilities

Style B

Style H



Size 818

Ratio	Input RPM	Output RPM	Input HP	Output HP	Output Torque (lb-in)	Left Hand Catalog No.	Right Hand Catalog No.	Double Extension Catalog No.	Hollow Output Catalog No.*
5	2500	500	3.095	2.900	366	__8180001	__8180013	__8180025	__8180501.XX
	1750	350	2.600	2.422	436				
	1170	234	2.066	1.906	513				
7.5	100	20	0.312	0.228	717	__8180002	__8180014	__8180026	__8180502.XX
	2500	333	2.307	2.127	402				
	1750	233	1.909	1.745	471				
10	1170	156	1.473	1.328	537	__8180003	__8180015	__8180027	__8180503.XX
	100	13	0.227	0.147	697				
	2500	250	1.996	1.820	459				
15	1750	175	1.625	1.466	528	__8180004	__8180016	__8180028	__8180504.XX
	1170	117	1.239	1.099	592				
	100	10	0.196	0.118	744				
20	2500	166	1.485	1.301	492	__8180005	__8180017	__8180029	__8180505.XX
	1750	116	1.224	1.058	571				
	100	6.7	0.165	0.087	823				
25	2500	125	1.283	1.093	551	__8180006	__8180018	__8180030	__8180506.XX
	1750	87	1.046	0.875	630				
	1170	58	0.803	0.652	702				
30	100	5.0	0.150	0.069	872	__8180007	__8180019	__8180031	__8180507.XX
	2500	100	1.088	0.900	567				
	1750	70	0.884	0.715	644				
40	1170	46	0.678	0.530	713	__8180008	__8180020	__8180032	__8180508.XX
	100	4.0	0.135	0.055	874				
	2500	83	0.892	0.702	531				
50	1750	58	0.741	0.569	614	__8180009	__8180021	__8180033	__8180509.XX
	1170	39	0.580	0.428	692				
	100	3.3	0.126	0.047	880				
60	2500	62	0.739	0.551	556	__8180010	__8180022	__8180034	__8180510.XX
	1750	43	0.609	0.440	634				
	1170	29	0.476	0.328	706				
80	100	2.5	0.113	0.035	874	__8180011	__8180023	__8180035	__8180511.XX
	2500	50	0.625	0.444	559				
	1750	35	0.515	0.352	634				
100	1170	23	0.404	0.260	701	__8180012	__8180024	__8180036	__8180512.XX
	100	2.0	0.103	0.027	857				
	2500	41	0.542	0.363	550				
100	1750	29	0.449	0.288	623	__8180011	__8180023	__8180035	__8180511.XX
	1170	19	0.354	0.213	689				
	100	1.7	0.097	0.022	842				
100	2500	31	0.247	0.156	314	__8180011	__8180023	__8180035	__8180511.XX
	1750	21	0.208	0.124	356				
	100	1.3	0.023	0.009	470				
100	2500	25	0.167	0.097	245	__8180012	__8180024	__8180036	__8180512.XX
	1750	17	0.141	0.077	277				
	1170	11	0.111	0.057	304				
100	100	1.0	0.016	0.006	362	__8180012	__8180024	__8180036	__8180512.XX

How To Build a Part Number For Size GR818, NH818 & EL818

1. Select partial catalog number from the selection table
2. Replace leading “__” with series code (GR, NH, EL)
3. For hollow output, replace “XX” suffix with bore code (see next page for codes)

Example:

Grove Gear IRONMAN, style B, 5:1 ratio, left hand output
 GR-B818-5-L
 GR8180001



Maximum Rating Tables

Size 818 • GR, NH, EL Series

Single Reduction
Worm Gear Reducers

Double Reduction
Worm - Worm Gear Reducers

Double Reduction
Helical - Worm Gear Reducers

WASHGUARD® Reducers
and GEAR+MOTOR™

Ratio Multipliers

Accessories and
Additional Capabilities

	Style BM			Style HM	Style BMQ			Style HMQ	
NEMA C Input Flange ▲	Left Hand Catalog No.	Right Hand Catalog No.	Double Extension Catalog No.	Hollow Output Catalog No.*	Left Hand Catalog No.	Right Hand Catalog No.	Double Extension Catalog No.	Hollow Output Catalog No.*	Ratio
56C 143-5TC	8180037 8180073	8180049 8180085	8180061 8180097	8180513.XX 8180525.XX	8180109 8180145	8180121 8180157	8180133 8180169	8180537.XX 8180549.XX	5
56C 143-5TC	8180038 8180074	8180050 8180086	8180062 8180098	8180514.XX 8180526.XX	8180110 8180146	8180122 8180158	8180134 8180170	8180538.XX 8180550.XX	7.5
56C 143-5TC	8180039 8180075	8180051 8180087	8180063 8180099	8180515.XX 8180527.XX	8180111 8180147	8180123 8180159	8180135 8180171	8180539.XX 8180551.XX	10
56C 143-5TC	8180040 8180076	8180052 8180088	8180064 8180100	8180516.XX 8180528.XX	8180112 8180148	8180124 8180160	8180136 8180172	8180540.XX 8180552.XX	15
56C 143-5TC	8180041 8180077	8180053 8180089	8180065 8180101	8180517.XX 8180529.XX	8180113 8180149	8180125 8180161	8180137 8180173	8180541.XX 8180553.XX	20
56C 143-5TC	8180042 8180078	8180054 8180090	8180066 8180102	8180518.XX 8180530.XX	8180114 8180150	8180126 8180162	8180138 8180174	8180542.XX 8180554.XX	25
56C 143-5TC	8180043 8180079	8180055 8180091	8180067 8180103	8180519.XX 8180531.XX	8180115 8180151	8180127 8180163	8180139 8180175	8180543.XX 8180555.XX	30
48CZ 56C 143-5TC	8180188 8180044 8180080	8180200 8180056 8180092	8180212 8180068 8180104	8180568.XX 8180520.XX 8180532.XX	8180224 8180116 8180152	8180236 8180128 8180164	8180248 8180140 8180176	8180580.XX 8180544.XX 8180556.XX	40
48CZ 56C 143-5TC	8180189 8180045 8180081	8180201 8180057 8180093	8180213 8180069 8180105	8180569.XX 8180521.XX 8180533.XX	8180225 8180117 8180153	8180237 8180129 8180165	8180249 8180141 8180177	8180581.XX 8180545.XX 8180557.XX	50
48CZ 56C 143-5TC	8180190 8180046 8180082	8180202 8180058 8180094	8180214 8180070 8180106	8180570.XX 8180522.XX 8180534.XX	8180226 8180118 8180154	8180238 8180130 8180166	8180250 8180142 8180178	8180582.XX 8180546.XX 8180558.XX	60
48CZ 56C	8180191 8180047	8180203 8180059	8180215 8180071	8180571.XX 8180523.XX	8180227 8180119	8180239 8180131	8180251 8180143	8180583.XX 8180547.XX	80
48CZ 56C	8180192 8180048	8180204 8180060	8180216 8180072	8180572.XX 8180524.XX	8180228 8180120	8180240 8180132	8180252 8180144	8180584.XX 8180548.XX	100

For input/ output shaft overhung load and thrust load ratings, refer to pages 419-422.

▲ Consult Factory for other motor flanges available.

* Catalog numbers are for hollow output shaft reducers.

When ordering, substitute the XX suffix with the required output bore code.

Available bore codes

Fraction Size	5/8"	11/16"	3/4"	7/8"	1"
Decimal Size	0.625	0.688	0.750	0.875	1.000
Output Bore Code	10	11	12	14	16



GR Series Dimensions

Styles: BMQ, BM, B

**CAST IRON
GR SERIES**

Single Reduction
Worm Gear Reducers

Double Reduction
Worm - Worm Gear Reducers

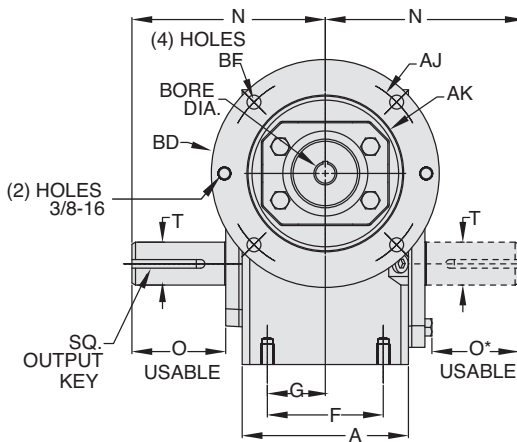
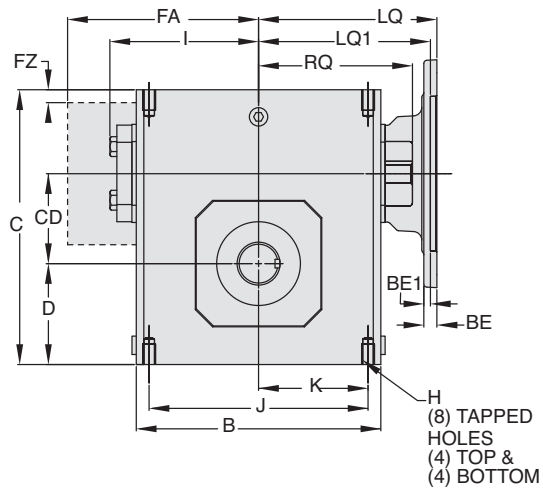
Double Reduction
Helical - Worm Gear Reducers

WASHGUARD® Reducers
and GEAR+MOTOR™

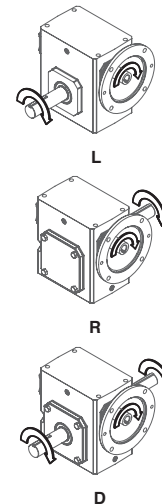
Ratio Multipliers

Accessories and
Additional Capabilities

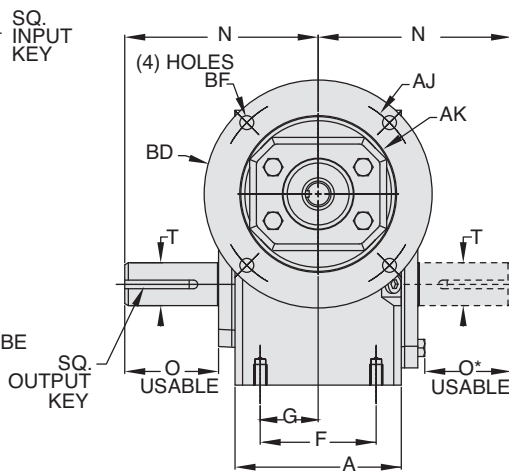
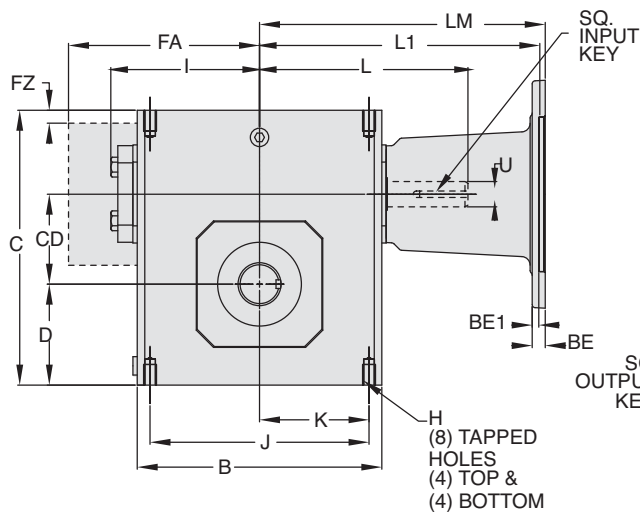
Style BMQ



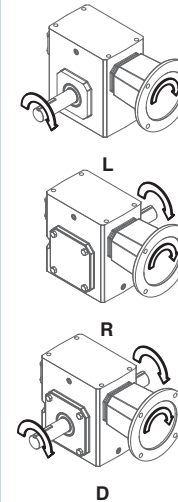
ASSEMBLIES



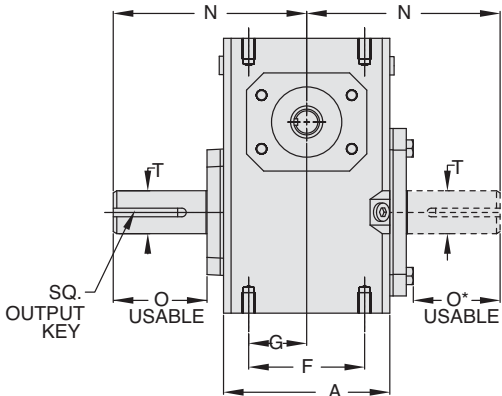
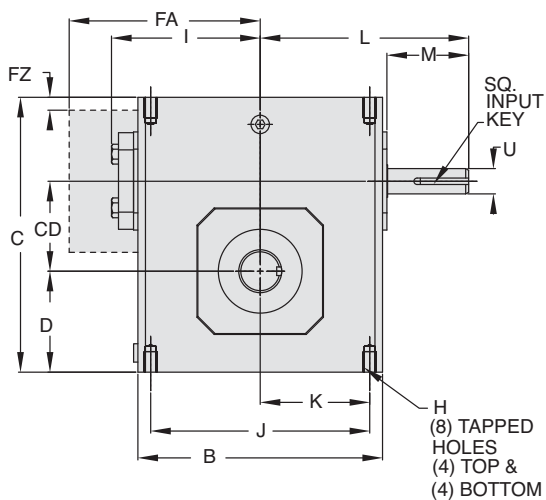
Style BM



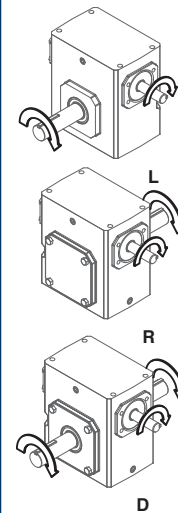
ASSEMBLIES



Style B



ASSEMBLIES



REVERSE ALL ARROWS
FOR OPPOSITE INPUT SHAFT
ROTATION. CONTACT FACTORY
FOR OTHER MOUNTINGS OR
ASSEMBLY POSITIONS.

