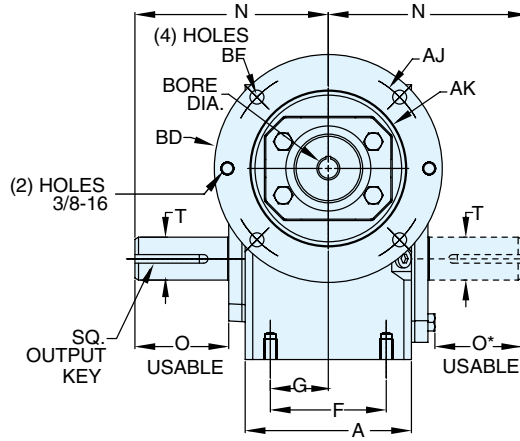
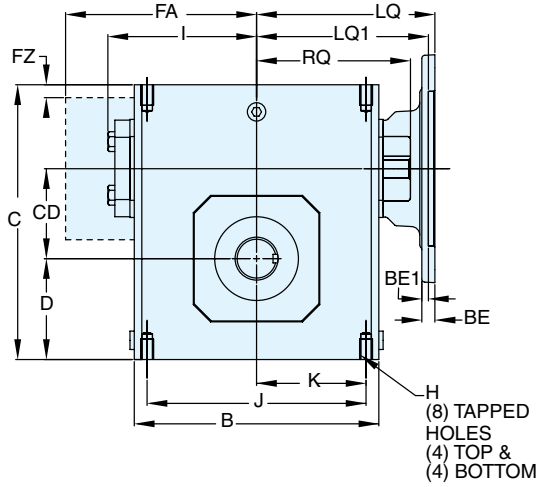




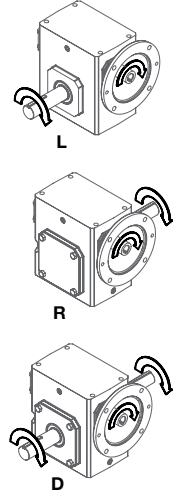
**GR SERIES  
DIMENSIONS**  
STYLES: BMQ, BM, B

**CAST IRON  
GR SERIES**

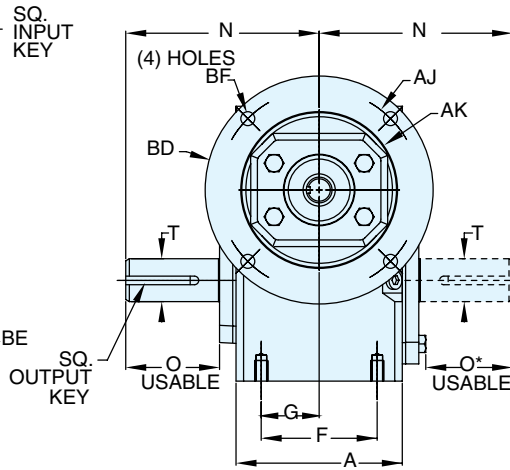
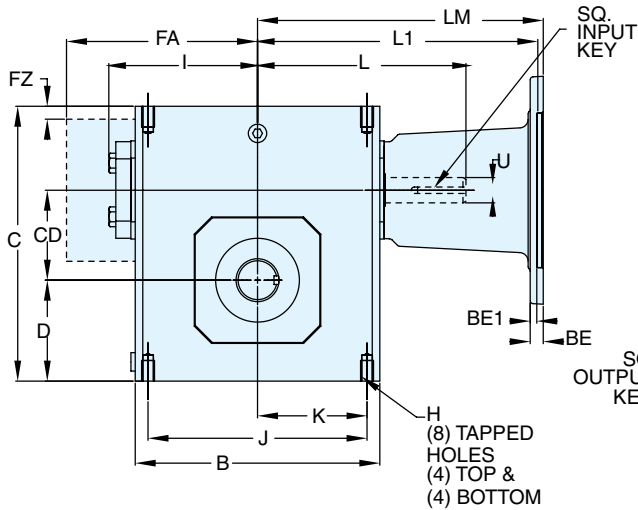
**STYLE BMQ**



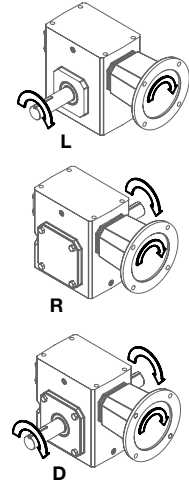
**ASSEMBLIES**



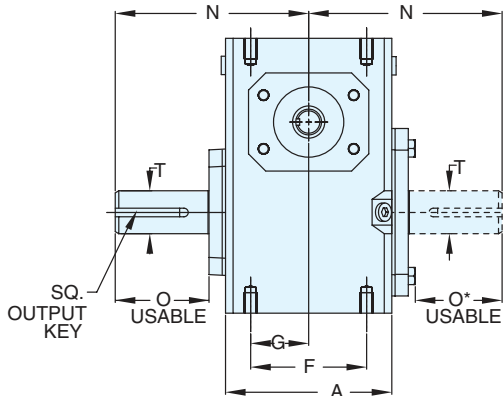
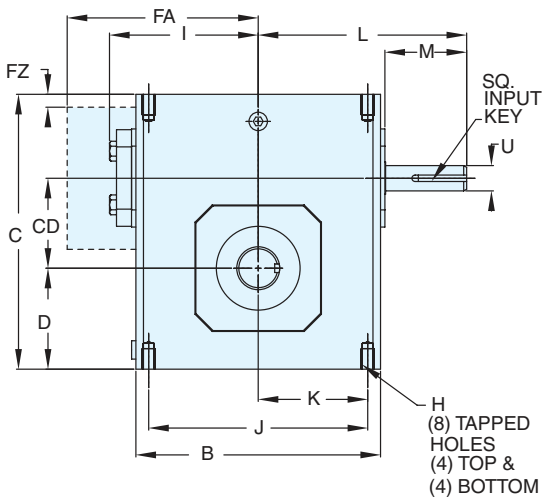
**STYLE BM**



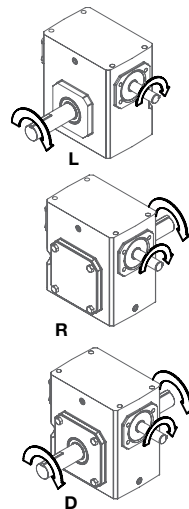
**ASSEMBLIES**



**STYLE B**



**ASSEMBLIES**



REVERSE ALL ARROWS  
FOR OPPOSITE INPUT SHAFT  
ROTATION. CONTACT FACTORY  
FOR OTHER MOUNTINGS OR  
ASSEMBLY POSITIONS.



STYLE BMQ, BM, B DIMENSIONS (Inches)

Table with columns: Size, A, B, C, D, CD, F, FA, FZ, G, H (Tap Size, Depth), I, J, K, L, M, N, O, O\*, T, U, Input Key, Output Key. Rows include GR813 through GR8100.

▲ See feature comparison chart.

FEATURE COMPARISON (821, 826, 832)

Table comparing features for sizes 821, 826, and 832. Columns include Size, Output Shaft Diameter Needed?, Mounting Footprint Needed?, All Other Features, Grove Gear Flexaline Interchange, LEESON IRONMAN Interchange, and Replace With Series Code Below.

MOTOR MOUNTING DIMENSIONS

NEMA DIMENSIONS (Inches)

Table showing NEMA dimensions for various frame sizes (GR813 to GR880) across different mounting styles (LM, L1, LQ, 180TC, LQ1, 250TC, RQ).

NEMA DIMENSIONS (Inches)

Table showing NEMA dimensions for frame sizes (48CZ to 250TC) across different bore diameters and keyways.

IEC B5 & B3/B5 METRIC DIMENSIONS (Inches)

Table showing IEC metric dimensions for frame sizes (GR813 to GR852) across different mounting styles (D63D, D71D, D80D, D90D, D100LD/D112MD, D132D).

IEC B5 & B3/B5 METRIC DIMENSIONS (MM)

Table showing IEC metric dimensions for frame sizes (D63D to D132D) across different mounting styles (AJ, AK, BD, BE, Bore Dia., Keyway, BF TAP, OD).

\* Applies to double output shaft

\*\* Key not provided with gear reducer. Keyway dimension shown.

◆ Keyway width by depth

◊ Mounting holes rotated 45 degrees from positions shown on Size GR860, Style BM with frame sizes 180TC-250TC.

■ 48CZ not available

● 180TC not available

◆ Metric IEC B5 input flange options are available only on quill input styles.

\* Dimensions same for GRG and GRL Series

\* Style B and BM only.

▼ Sizes 860-8100 are supplied with a fan. Dimensions refer to fan guard location.

⚠ WARNING For safety, purchaser or user should provide protective guards over shaft extensions and any couplings, shafts and belts, sprockets and chains, etc., mounted thereon.

All dimensions shown are for reference only. Contact Factory for certified dimensions.