



RATINGS/DIMENSIONS

Tigear-2 Reducers With Quill Input - Size 13

Ratio	Output RPM	Rating Data			Part Number 56C	Shaft Position
		1750 Input RPM				
5	350	Mechanical Input HP	1.32	13Q05L56	L	
		Thermal Input HP	2.94	13Q05R56	R	
		Output Torque (lb. in.)	219	13Q05LR56	LR	
		Mechanical Output HP	1.22	13Q05H56	HOLLOW	
		Output OHL (lbs.)	650	-	-	
7.5	233	Mechanical Input HP	1.04	13Q07L56	L	
		Thermal Input HP	2.27	13Q07R56	R	
		Output Torque (lb. in.)	251	13Q07LR56	LR	
		Mechanical Output HP	0.94	13Q07H56	HOLLOW	
		Output OHL (lbs.)	650	-	-	
10	175	Mechanical Input HP	0.85	13Q10L56	L	
		Thermal Input HP	1.96	13Q10R56	R	
		Output Torque (lb. in.)	270	13Q10LR56	LR	
		Mechanical Output HP	0.75	13Q10H56	HOLLOW	
		Output OHL (lbs.)	650	-	-	
15	117	Mechanical Input HP	0.64	13Q15L56	L	
		Thermal Input HP	1.38	13Q15R56	R	
		Output Torque (lb. in.)	293	13Q15LR56	LR	
		Mechanical Output HP	0.54	13Q15H56	HOLLOW	
		Output OHL (lbs.)	650	-	-	
20	88	Mechanical Input HP	0.53	13Q20L56	L	
		Thermal Input HP	1.06	13Q20R56	R	
		Output Torque (lb. in.)	304	13Q20LR56	LR	
		Mechanical Output HP	0.42	13Q20H56	HOLLOW	
		Output OHL (lbs.)	650	-	-	
25	70	Mechanical Input HP	0.46	13Q25L56	L	
		Thermal Input HP	0.86	13Q25R56	R	
		Output Torque (lb. in.)	311	13Q25LR56	LR	
		Mechanical Output HP	0.35	13Q25H56	HOLLOW	
		Output OHL (lbs.)	650	-	-	
30	58	Mechanical Input HP	0.39	13Q30L56	L	
		Thermal Input HP	0.85	13Q30R56	R	
		Output Torque (lb. in.)	314	13Q30LR56	LR	
		Mechanical Output HP	0.29	13Q30H56	HOLLOW	
		Output OHL (lbs.)	650	-	-	
40	44	Mechanical Input HP	0.32	13Q40L56	L	
		Thermal Input HP	0.70	13Q40R56	R	
		Output Torque (lb. in.)	319	13Q40LR56	LR	
		Mechanical Output HP	0.22	13Q40H56	HOLLOW	
		Output OHL (lbs.)	650	-	-	
50	35	Mechanical Input HP	0.27	13Q50L56	L	
		Thermal Input HP	0.61	13Q50R56	R	
		Output Torque (lb. in.)	313	13Q50LR56	LR	
		Mechanical Output HP	0.17	13Q50H56	HOLLOW	
		Output OHL (lbs.)	650	-	-	
60	29	Mechanical Input HP	0.23	13Q60L56	L	
		Thermal Input HP	0.54	13Q60R56	R	
		Output Torque (lb. in.)	298	13Q60LR56	LR	
		Mechanical Output HP	0.14	13Q60H56	HOLLOW	
		Output OHL (lbs.)	650	-	-	

Note: Reducers are shipped without a mounting base. Order bolt-on base kit **13BASE** if required.

FEATURES/BENEFITS PAGE 2	SPECIFICATION PAGE 8	HOW TO ORDER/NOMENCLATURE PAGE 9	WASHDOWN PRODUCT PAGE 80
-----------------------------	-------------------------	-------------------------------------	-----------------------------

Features / Benefits

Order / Nomenclature

Selection Procedures / HP & S.F.

Ratings / Dimensions

Washdown E-Z-Kleen

Washdown Ultra-Kleen

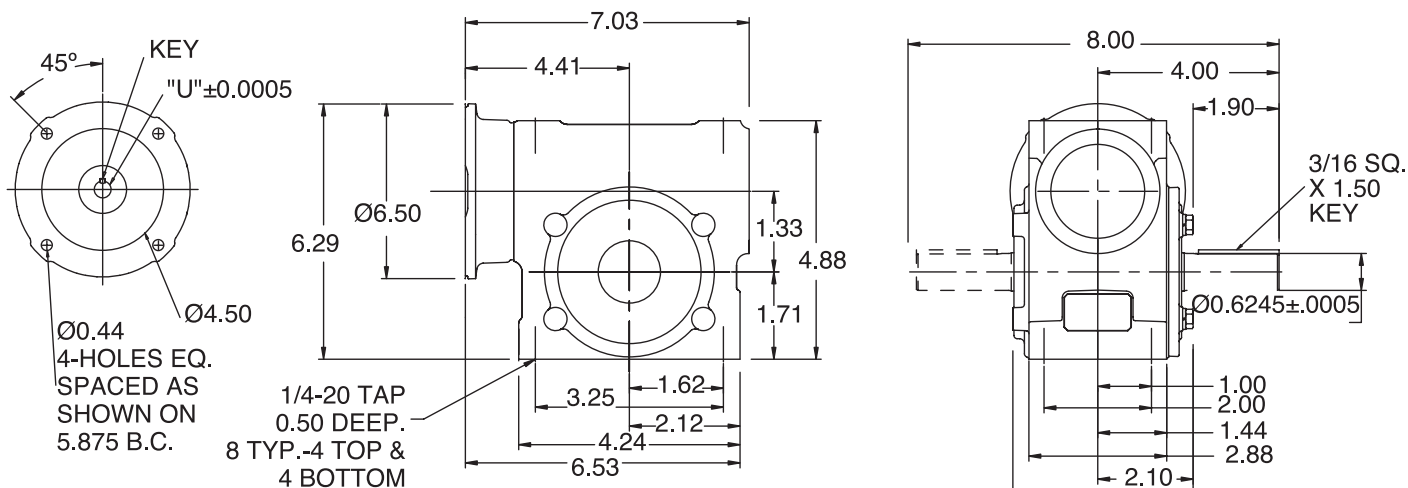
Ultra-Kleen Dimensions



RATINGS/DIMENSIONS

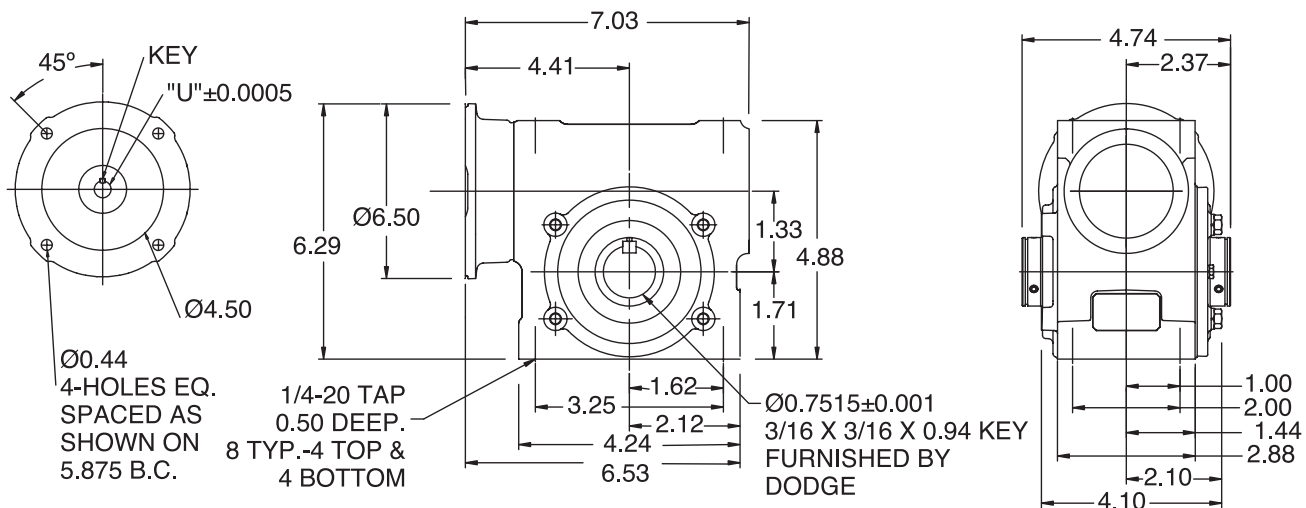
Tigear-2 Reducers With Quill Input - Size 13

SOLID OUTPUT

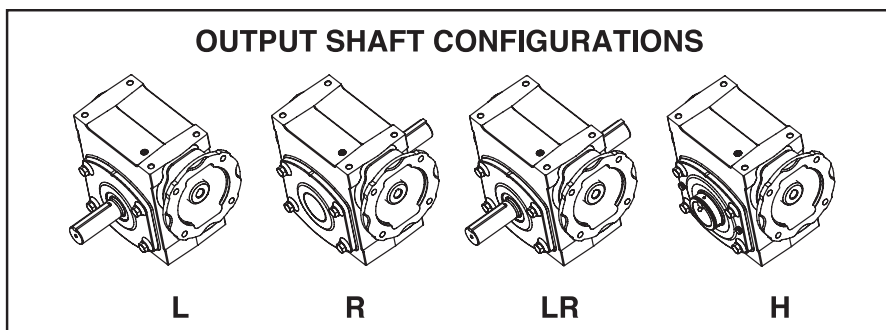


MOTOR FRAME	DIM "U"	KEY
48Y	0.626	3/16 SQ. X 1.72 KEY
56C	0.626	3/16 SQ. X 1.72 KEY

HOLLOW OUTPUT



OUTPUT SHAFT CONFIGURATIONS





RATINGS/DIMENSIONS

Tigear-2 Reducers With Separate Input - Size 13

Ratio	Output RPM	Rating Data 1750 Input RPM		Separate Reducer	Shaft Position	Optional Motor Adapter Kit	
						56C	140TC
5	350	Mechanical Input HP	1.32	13S05L	L	1315MTR56	1315MTR14
		Thermal Input HP	2.94	13S05R	R		
		Output Torque (lb. in.)	219	13S05LR	LR		
		Mechanical Output HP	1.22	13S05H	HOLLOW		
		Output OHL (lbs.)	650	-	-		
7.5	233	Mechanical Input HP	1.04	13S07L	L	1315MTR56	1315MTR14
		Thermal Input HP	2.27	13S07R	R		
		Output Torque (lb. in.)	251	13S07LR	LR		
		Mechanical Output HP	0.94	13S07H	HOLLOW		
		Output OHL (lbs.)	650	-	-		
10	175	Mechanical Input HP	0.85	13S10L	L	1315MTR56	1315MTR14
		Thermal Input HP	1.96	13S10R	R		
		Output Torque (lb. in.)	270	13S10LR	LR		
		Mechanical Output HP	0.75	13S10H	HOLLOW		
		Output OHL (lbs.)	650	-	-		
15	117	Mechanical Input HP	0.64	13S15L	L	1315MTR56	-
		Thermal Input HP	1.38	13S15R	R		
		Output Torque (lb. in.)	293	13S15LR	LR		
		Mechanical Output HP	0.54	13S15H	HOLLOW		
		Output OHL (lbs.)	650	-	-		
20	88	Mechanical Input HP	0.53	13S20L	L	1315MTR56	-
		Thermal Input HP	1.06	13S20R	R		
		Output Torque (lb. in.)	304	13S20LR	LR		
		Mechanical Output HP	0.42	13S20H	HOLLOW		
		Output OHL (lbs.)	650	-	-		
25	70	Mechanical Input HP	0.46	13S25L	L	1315MTR56	-
		Thermal Input HP	0.86	13S25R	R		
		Output Torque (lb. in.)	311	13S25LR	LR		
		Mechanical Output HP	0.35	13S25H	HOLLOW		
		Output OHL (lbs.)	650	-	-		
30	58	Mechanical Input HP	0.39	13S30L	L	1315MTR56	-
		Thermal Input HP	0.85	13S30R	R		
		Output Torque (lb. in.)	314	13S30LR	LR		
		Mechanical Output HP	0.29	13S30H	HOLLOW		
		Output OHL (lbs.)	650	-	-		
40	44	Mechanical Input HP	0.32	13S40L	L	1315MTR56	-
		Thermal Input HP	0.70	13S40R	R		
		Output Torque (lb. in.)	319	13S40LR	LR		
		Mechanical Output HP	0.22	13S40H	HOLLOW		
		Output OHL (lbs.)	650	-	-		
50	35	Mechanical Input HP	0.27	13S50L	L	1315MTR56	-
		Thermal Input HP	0.61	13S50R	R		
		Output Torque (lb. in.)	313	13S50LR	LR		
		Mechanical Output HP	0.17	13S50H	HOLLOW		
		Output OHL (lbs.)	650	-	-		
60	29	Mechanical Input HP	0.23	13S60L	L	1315MTR56	-
		Thermal Input HP	0.54	13S60R	R		
		Output Torque (lb. in.)	298	13S60LR	LR		
		Mechanical Output HP	0.14	13S60H	HOLLOW		
		Output OHL (lbs.)	650	-	-		
All Ratios		Input OHL (lbs.)	120	One diameter from seal surface			-

Note: Tigear-2 separate reducers cannot be used with the old adaptable Tigear motor adapter kits.

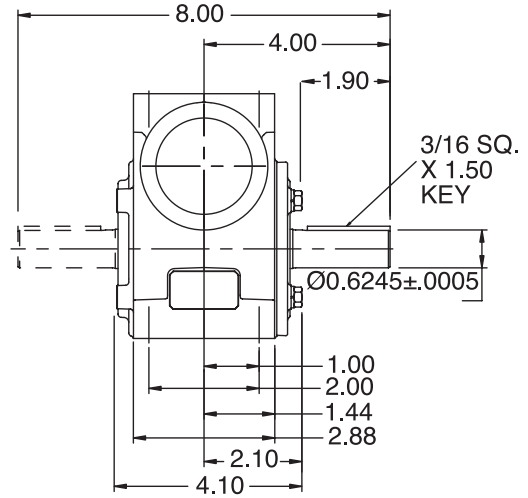
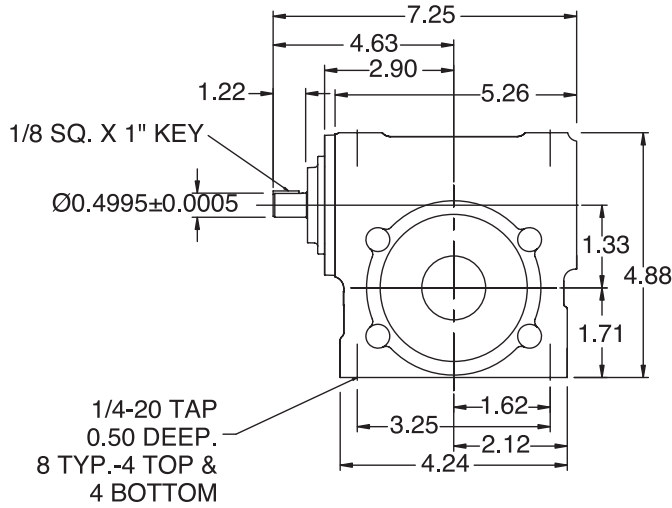
FEATURES/BENEFITS PAGE 2	SPECIFICATION PAGE 8	HOW TO ORDER/NOMENCLATURE PAGE 9	WASHDOWN PRODUCT PAGE 80
-----------------------------	-------------------------	-------------------------------------	-----------------------------



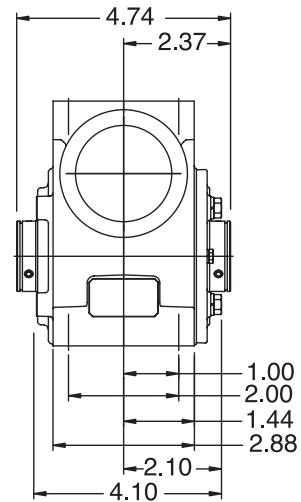
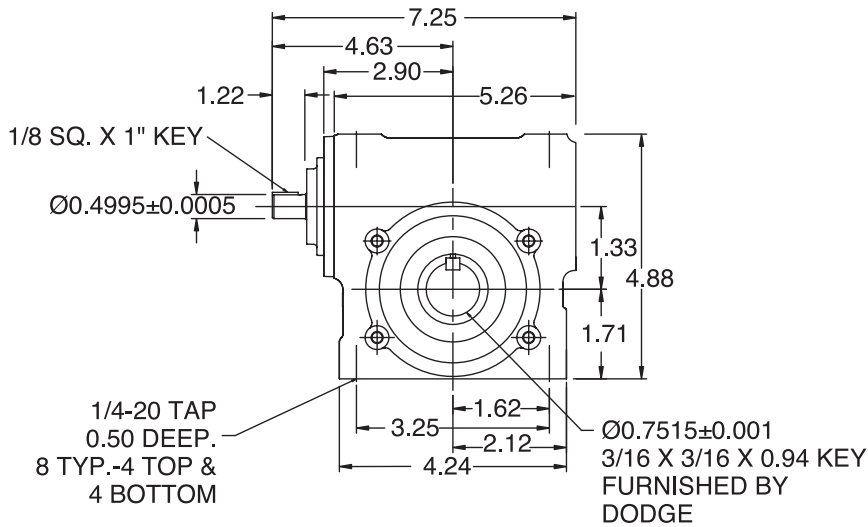
RATINGS/DIMENSIONS

Tigear-2 Reducers With Separate Input - Size 13

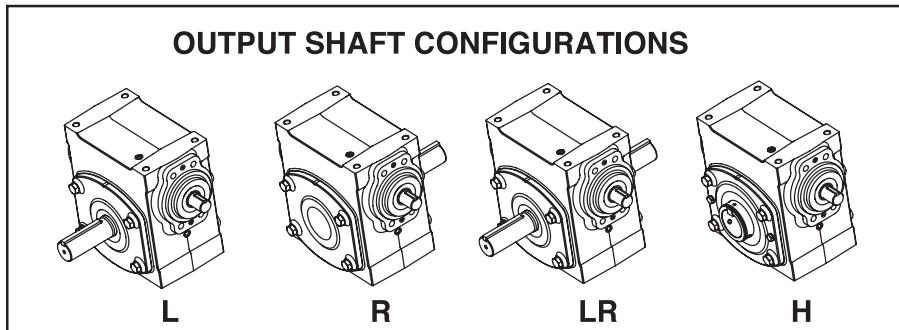
SOLID OUTPUT



HOLLOW OUTPUT



OUTPUT SHAFT CONFIGURATIONS





RATINGS/DIMENSIONS

Tigear-2 Reducers With 3-Piece Coupled Input - Size 13

3-piece coupled units include a separate reducer, 3-piece coupling and motor adapter housing assembled together. These assemblies are normally "made to order" with a 5 day standard lead time.

Ratio	Output RPM	Rating Data 1750 Input RPM		Part Number		Shaft Position
				56C	140TC	
5	350	Mechanical Input HP	1.32	13A05L56	13A05L14	L
		Thermal Input HP	2.94	13A05R56	13A05RL14	R
		Output Torque (lb. in.)	219	13A05LR56	13A05LR14	LR
		Mechanical Output HP	1.22	13A05H56	13A05H14	HOLLOW
		Output OHL (lbs.)	650	–	–	–
7.5	233	Mechanical Input HP	1.04	13A07L56	13A07L14	L
		Thermal Input HP	2.27	13A07R56	13A07RL14	R
		Output Torque (lb. in.)	251	13A07LR56	13A07LR14	LR
		Mechanical Output HP	0.94	13A07H56	13A07H14	HOLLOW
		Output OHL (lbs.)	650	–	–	–
10	175	Mechanical Input HP	0.85	13A10L56	13A10L14	L
		Thermal Input HP	1.96	13A10R56	13A10RL14	R
		Output Torque (lb. in.)	270	13A10LR56	13A10LR14	LR
		Mechanical Output HP	0.75	13A10H56	13A10H14	HOLLOW
		Output OHL (lbs.)	650	–	–	–
15	117	Mechanical Input HP	0.64	13A15L56	–	L
		Thermal Input HP	1.38	13A15R56	–	R
		Output Torque (lb. in.)	293	13A15LR56	–	LR
		Mechanical Output HP	0.54	13A15H56	–	HOLLOW
		Output OHL (lbs.)	650	–	–	–
20	88	Mechanical Input HP	0.53	13A20L56	–	L
		Thermal Input HP	1.06	13A20R56	–	R
		Output Torque (lb. in.)	304	13A20LR56	–	LR
		Mechanical Output HP	0.42	13A20H56	–	HOLLOW
		Output OHL (lbs.)	650	–	–	–
25	70	Mechanical Input HP	0.46	13A25L56	–	L
		Thermal Input HP	0.86	13A25R56	–	R
		Output Torque (lb. in.)	311	13A25LR56	–	LR
		Mechanical Output HP	0.35	13A25H56	–	HOLLOW
		Output OH (lbs.)	650	–	–	–
30	58	Mechanical Input HP	0.39	13A30L56	–	L
		Thermal Input HP	0.85	13A30R56	–	R
		Output Torque (lb. in.)	314	13A30LR56	–	LR
		Mechanical Output HP	0.29	13A30H56	–	HOLLOW
		Output OHL (lbs.)	650	–	–	–
40	44	Mechanical Input HP	0.32	13A40L56	–	L
		Thermal Input HP	0.70	13A40R56	–	R
		Output Torque (lb. in.)	319	13A40LR56	–	LR
		Mechanical Output HP	0.22	13A40H56	–	HOLLOW
		Output OHL (lbs.)	650	–	–	–
50	35	Mechanical Input HP	0.27	13A50L56	–	L
		Thermal Input HP	0.61	13A50R56	–	R
		Output Torque (lb. in.)	313	13A50LR56	–	LR
		Mechanical Output HP	0.17	13A50H56	–	HOLLOW
		Output OHL (lbs.)	650	–	–	–
60	29	Mechanical Input HP	0.23	13A60L56	–	L
		Thermal Input HP	0.54	13A60R56	–	R
		Output Torque (lb. in.)	298	13A60LR56	–	LR
		Mechanical Output HP	0.14	13A60H56	–	HOLLOW
		Output OHL (lbs.)	650	–	–	–

Note: Reducers are shipped without a mounting base. Order bolt-on base kit **13BASE** if required.

FEATURES/BENEFITS PAGE 2	SPECIFICATION PAGE 8	HOW TO ORDER/NOMENCLATURE PAGE 9	WASHDOWN PRODUCT PAGE 80
-----------------------------	-------------------------	-------------------------------------	-----------------------------

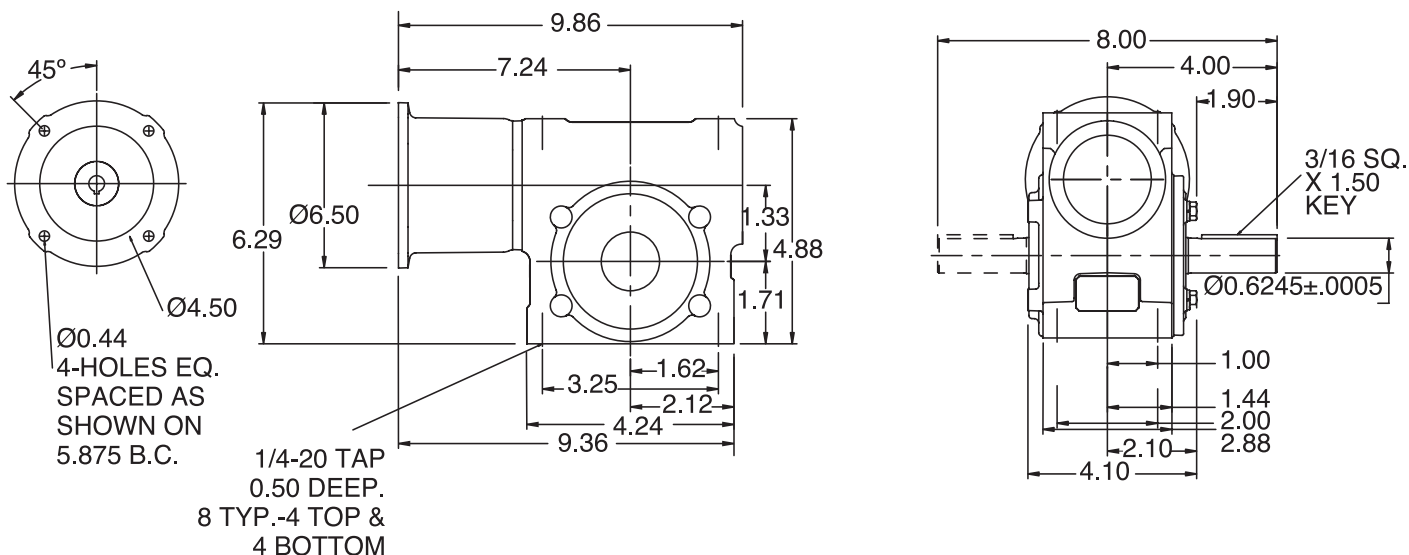
Features / Benefits
Specification / How to Order / Nomenclature
Procedures / HP & S.F.
Selection
Ratings / Dimensions
Washdown E-Z Kleen
Washdown Ultra Kleen
Ultra Kleen Dimensions



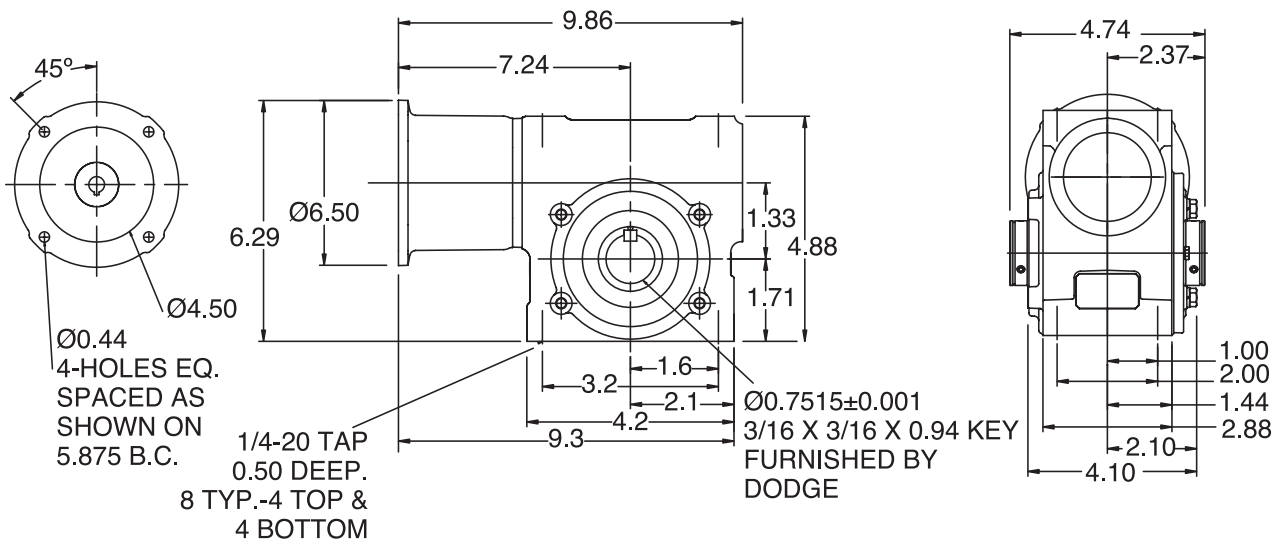
RATINGS/DIMENSIONS

Tigear-2 Reducers With 3-Piece Coupled Input - Size 13

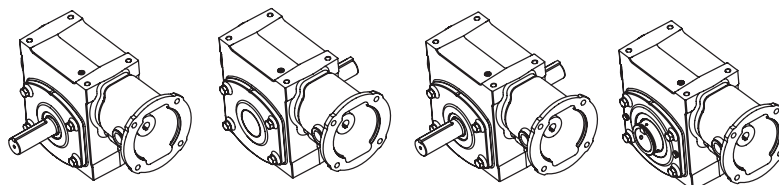
SOLID OUTPUT



HOLLOW OUTPUT



OUTPUT SHAFT CONFIGURATIONS



L

R

LR

H



RATINGS/DIMENSIONS

Tigear-2 Reducers With Quill Input - Size 15

Ratio	Output RPM	Rating Data		Part Number 56C	Shaft Position
		1750 Input RPM			
5	350	Mechanical Input HP	1.75	15Q05L56	L
		Thermal Input HP	3.34	15Q05R56	R
		Output Torque (lb. in.)	293	15Q05LR56	LR
		Mechanical Output HP	1.63	15Q05H56	HOLLOW
		Output OHL (lbs.)	710	-	-
7.5	233	Mechanical Input HP	1.40	15Q07L56	L
		Thermal Input HP	2.55	15Q07R56	R
		Output Torque (lb. in.)	337	15Q07LR56	LR
		Mechanical Output HP	1.26	15Q07H56	HOLLOW
		Output OHL (lbs.)	710	-	-
10	175	Mechanical Input HP	1.13	15Q10L56	L
		Thermal Input HP	2.22	15Q10R56	R
		Output Torque (lb. in.)	361	15Q10LR56	LR
		Mechanical Output HP	1.00	15Q10H56	HOLLOW
		Output OHL (lbs.)	710	-	-
15	117	Mechanical Input HP	0.86	15Q15L56	L
		Thermal Input HP	1.58	15Q15R56	R
		Output Torque (lb. in.)	392	15Q15LR56	LR
		Mechanical Output HP	0.73	15Q15H56	HOLLOW
		Output OHL (lbs.)	710	-	-
20	88	Mechanical Input HP	0.70	15Q20L56	L
		Thermal Input HP	1.26	15Q20R56	R
		Output Torque (lb. in.)	407	15Q20LR56	LR
		Mechanical Output HP	0.56	15Q20H56	HOLLOW
		Output OHL (lbs.)	710	-	-
25	70	Mechanical Input HP	0.60	15Q25L56	L
		Thermal Input HP	0.99	15Q25R56	R
		Output Torque (lb. in.)	410	15Q25LR56	LR
		Mechanical Output HP	0.46	15Q25H56	HOLLOW
		Output OHL (lbs.)	710	-	-
30	58	Mechanical Input HP	0.51	15Q30L56	L
		Thermal Input HP	0.96	15Q30R56	R
		Output Torque (lb. in.)	413	15Q30LR56	LR
		Mechanical Output HP	0.38	15Q30H56	HOLLOW
		Output OHL (lbs.)	710	-	-
40	44	Mechanical Input HP	0.41	15Q40L56	L
		Thermal Input HP	0.80	15Q40R56	R
		Output Torque (lb. in.)	417	15Q40LR56	LR
		Mechanical Output HP	0.29	15Q40H56	HOLLOW
		Output OHL (lbs.)	710	-	-
50	35	Mechanical Input HP	0.34	15Q50L56	L
		Thermal Input HP	0.70	15Q50R56	R
		Output Torque (lb. in.)	402	15Q50LR56	LR
		Mechanical Output HP	0.22	15Q50H56	HOLLOW
		Output OHL (lbs.)	710	-	-
60	29	Mechanical Input HP	0.29	15Q60L56	L
		Thermal Input HP	0.62	15Q60R56	R
		Output Torque (lb. in.)	381	15Q60LR56	LR
		Mechanical Output HP	0.18	15Q60H56	HOLLOW
		Output OHL (lbs.)	710	-	-

Note: Reducers are shipped without a mounting base. Order bolt-on base kit 15BASE if required.

FEATURES/BENEFITS PAGE 2	SPECIFICATION PAGE 8	HOW TO ORDER/NOMENCLATURE PAGE 9	WASHDOWN PRODUCT PAGE 80
-----------------------------	-------------------------	-------------------------------------	-----------------------------

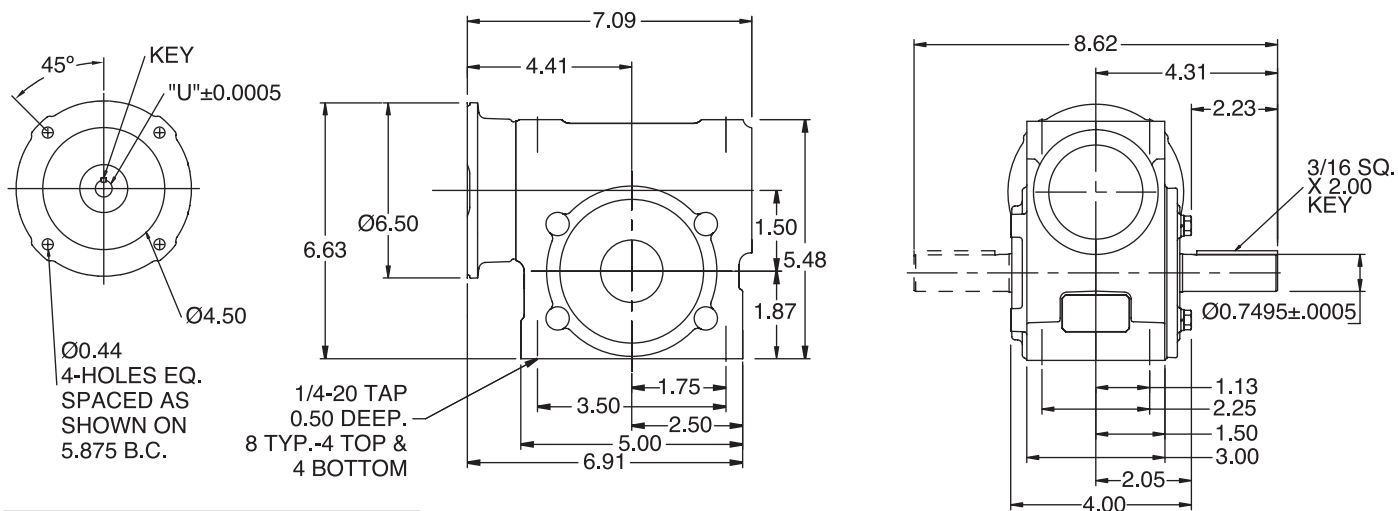
Features / Benefits
 Order / Nomenclature
 Selection Procedures / HP & S.F.
 Ratings / Dimensions
 Washdown E-Z Kleen
 Washdown Ultra Kleen
 Ultra Kleen Dimensions



RATINGS/DIMENSIONS

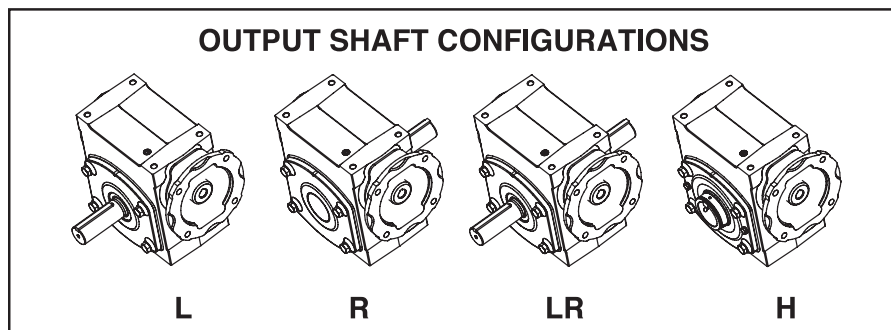
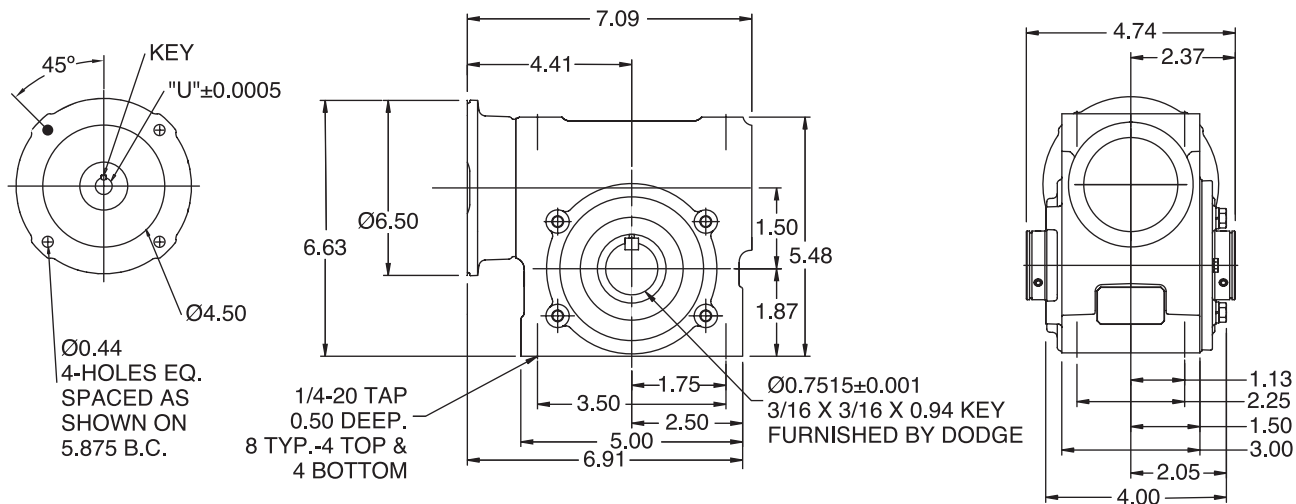
Tigear-2 Reducers With Quill Input - Size 15

SOLID OUTPUT



MOTOR FRAME	"U"	KEY
48Y 56C	Ø0.626	3/16 SQ. X 1.72 KEY

HOLLOW OUTPUT





RATINGS/DIMENSIONS

Tigear-2 Reducers With Separate Input - Size 15

Ratio	Output RPM	Rating Data 1750 Input RPM		Separate Reducer	Shaft Position	Optional Motor Adapter Kit	
						56C	140TC
5	350	Mechanical Input HP	1.75	15S05L	L	1315MTR56	1315MTR14
		Thermal Input HP	3.34	15S05R	R		
		Output Torque (lb. in.)	293	15S05LR	LR		
		Mechanical Output HP	1.63	15S05H	HOLLOW		
		Output OHL (lbs.)	710	—	—		
7.5	233	Mechanical Input HP	1.40	15S07L	L	1315MTR56	1315MTR14
		Thermal Input HP	2.55	15S07R	R		
		Output Torque (lb. in.)	337	15S07LR	LR		
		Mechanical Output HP	1.26	15S07H	HOLLOW		
		Output OHL (lbs.)	710	—	—		
10	175	Mechanical Input HP	1.13	15S10L	L	1315MTR56	1315MTR14
		Thermal Input HP	2.22	15S10R	R		
		Output Torque (lb. in.)	361	15S10LR	LR		
		Mechanical Output HP	1.00	15S10H	HOLLOW		
		Output OHL (lbs.)	710	—	—		
15	117	Mechanical Input HP	0.86	15S15L	L	1315MTR56	—
		Thermal Input HP	1.58	15S15R	R		
		Output Torque (lb. in.)	392	15S15LR	LR		
		Mechanical Output HP	0.73	15S15H	HOLLOW		
		Output OHL (lbs.)	710	—	—		
20	88	Mechanical Input HP	0.70	15S20L	L	1315MTR56	—
		Thermal Input HP	1.26	15S20R	R		
		Output Torque (lb. in.)	407	15S20LR	LR		
		Mechanical Output HP	0.56	15S20H	HOLLOW		
		Output OHL (lbs.)	710	—	—		
25	70	Mechanical Input HP	0.60	15S25L	L	1315MTR56	—
		Thermal Input HP	0.99	15S25R	R		
		Output Torque (lb. in.)	410	15S25LR	LR		
		Mechanical Output HP	0.46	15S25H	HOLLOW		
		Output OHL (lbs.)	710	—	—		
30	58	Mechanical Input HP	0.51	15S30L	L	1315MTR56	—
		Thermal Input HP	0.96	15S30R	R		
		Output Torque (lb. in.)	413	15S30LR	LR		
		Mechanical Output HP	0.38	15S30H	HOLLOW		
		Output OHL (lbs.)	710	—	—		
40	44	Mechanical Input HP	0.41	15S40L	L	1315MTR56	—
		Thermal Input HP	0.80	15S40R	R		
		Output Torque (lb. in.)	417	15S40LR	LR		
		Mechanical Output HP	0.29	15S40H	HOLLOW		
		Output OHL (lbs.)	710	—	—		
50	35	Mechanical Input HP	0.34	15S50L	L	1315MTR56	—
		Thermal Input HP	0.70	15S50R	R		
		Output Torque (lb. in.)	402	15S50LR	LR		
		Mechanical Output HP	0.22	15S50H	HOLLOW		
		Output OHL (lbs.)	710	—	—		
60	29	Mechanical Input HP	0.29	15S60L	L	1315MTR56	—
		Thermal Input HP	0.62	15S60R	R		
		Output Torque (lb. in.)	381	15S60LR	LR		
		Mechanical Output HP	0.18	15S60H	HOLLOW		
		Output OHL (lbs.)	710	—	—		
All Ratios		Input OHL (lbs.)	140	One diameter from seal surface			—

Note: Tigear-2 separate reducers cannot be used with the old adaptable Tigear motor adapter kits.

FEATURES/BENEFITS PAGE 2	SPECIFICATION PAGE 8	HOW TO ORDER/NOMENCLATURE PAGE 9	WASHDOWN PRODUCT PAGE 80
-----------------------------	-------------------------	-------------------------------------	-----------------------------

Features / Benefits

Specification / How to Order / Nomenclature

Selection Procedures / HP & S.F.

Ratings / Dimensions

Washdown E-Z-Kleen

Washdown Ultra-Kleen

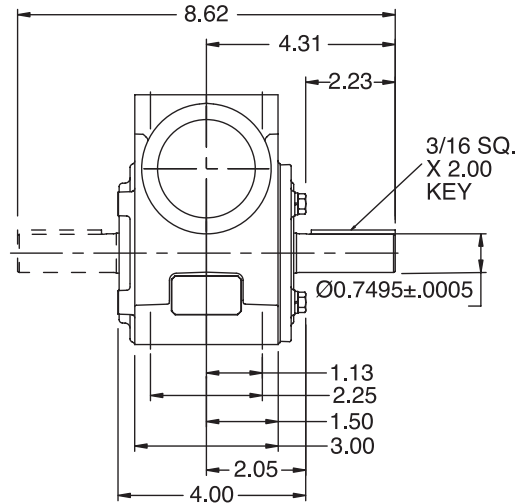
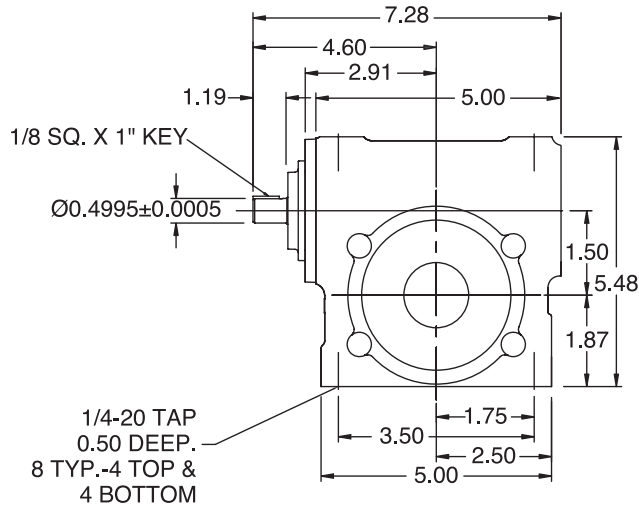
Ultra-Kleen Dimensions



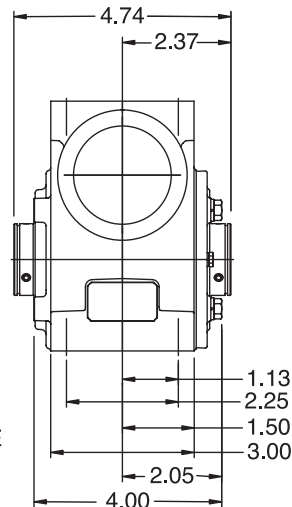
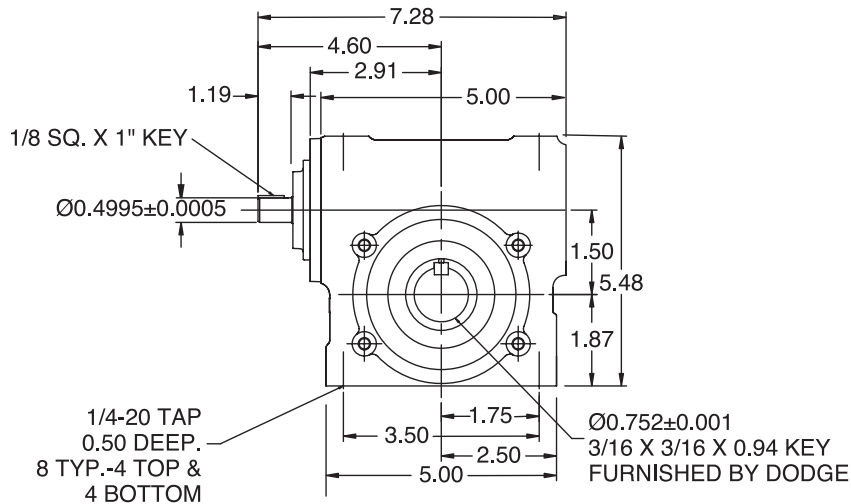
RATINGS/DIMENSIONS

Tigear-2 Reducers With Separate Input - Size 15

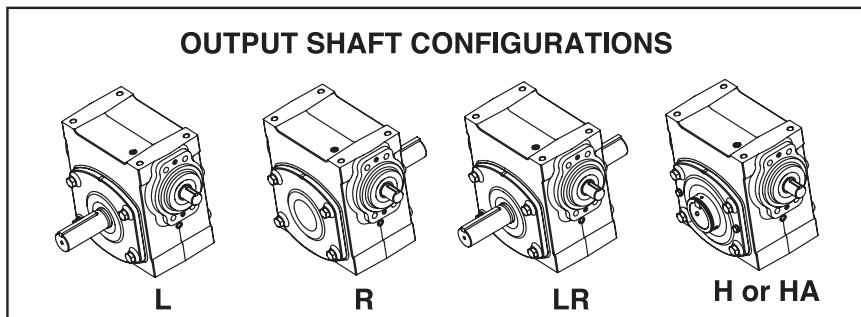
SOLID OUTPUT



HOLLOW OUTPUT



OUTPUT SHAFT CONFIGURATIONS





RATINGS/DIMENSIONS

Tigear-2 Reducers With 3-Piece Coupled Input - Size 15

3-piece coupled units include a separate reducer, 3-piece coupling and motor adapter housing assembled together. These assemblies are normally "made to order" with a 5 day standard lead time.

Ratio	Output RPM	Rating Data 1750 Input RPM		Part Number		Position Shaft
				56C	140TC	
5	350	Mechanical Input HP	1.75	15A05L56	15A05L14	L
		Thermal Input HP	3.34	15A05R56	15A05R14	R
		Output Torque (lb. in.)	293	15A05LR56	15A05LR14	LR
		Mechanical Output HP	1.63	15A05H56	15A05H14	HOLLOW
		Output OHL (lbs.)	710	-	-	-
7.5	233	Mechanical Input HP	1.40	15A07L56	15A07L14	L
		Thermal Input HP	2.55	15A07R56	15A07R14	R
		Output Torque (lb. in.)	337	15A07LR56	15A07LR14	LR
		Mechanical Output HP	1.26	15A07H56	15A07H14	HOLLOW
		Output OHL (lbs.)	710	-	-	-
10	175	Mechanical Input HP	1.13	15A10L56	15A10L14	L
		Thermal Input HP	2.22	15A10R56	15A10R14	R
		Output Torque (lb. in.)	361	15A10LR56	15A10LR14	LR
		Mechanical Output HP	1.00	15A10H56	15A10H14	HOLLOW
		Output OHL (lbs.)	710	-	-	-
15	117	Mechanical Input HP	0.86	15A15L56	-	L
		Thermal Input HP	1.58	15A15R56	-	R
		Output Torque (lb. in.)	392	15A15LR56	-	LR
		Mechanical Output HP	0.73	15A15H56	-	HOLLOW
		Output OHL (lbs.)	710	-	-	-
20	88	Mechanical Input HP	0.70	15A20L56	-	L
		Thermal Input HP	1.26	15A20R56	-	R
		Output Torque (lb. in.)	407	15A20LR56	-	LR
		Mechanical Output HP	0.56	15A20H56	-	HOLLOW
		Output OHL (lbs.)	710	-	-	-
25	70	Mechanical Input HP	0.60	15A25L56	-	L
		Thermal Input HP	0.99	15A25R56	-	R
		Output Torque (lb. in.)	410	15A25LR56	-	LR
		Mechanical Output HP	0.46	15A25H56	-	HOLLOW
		Output OHL (lbs.)	710	-	-	-
30	58	Mechanical Input HP	0.51	15A30L56	-	L
		Thermal Input HP	0.96	15A30R56	-	R
		Output Torque (lb. in.)	413	15A30LR56	-	LR
		Mechanical Output HP	0.38	15A30H56	-	HOLLOW
		Output OHL (lbs.)	710	-	-	-
40	44	Mechanical Input HP	0.41	15A40L56	-	L
		Thermal Input HP	0.80	15A40R56	-	R
		Output Torque (lb. in.)	417	15A40LR56	-	LR
		Mechanical Output HP	0.29	15A40H56	-	HOLLOW
		Output OHL (lbs.)	710	-	-	-
50	35	Mechanical Input HP	0.34	15A50L56	-	L
		Thermal Input HP	0.70	15A50R56	-	R
		Output Torque (lb. in.)	402	15A50LR56	-	LR
		Mechanical Output HP	0.22	15A50H56	-	HOLLOW
		Output OHL (lbs.)	710	-	-	-
60	29	Mechanical Input HP	0.29	15A60L56	-	L
		Thermal Input HP	0.62	15A60R56	-	R
		Output Torque (lb. in.)	381	15A60LR56	-	LR
		Mechanical Output HP	0.18	15A60H56	-	HOLLOW
		Output OHL (lbs.)	710	-	-	-

Note: Reducers are shipped without a mounting base. Order bolt-on base kit **15BASE** if required.

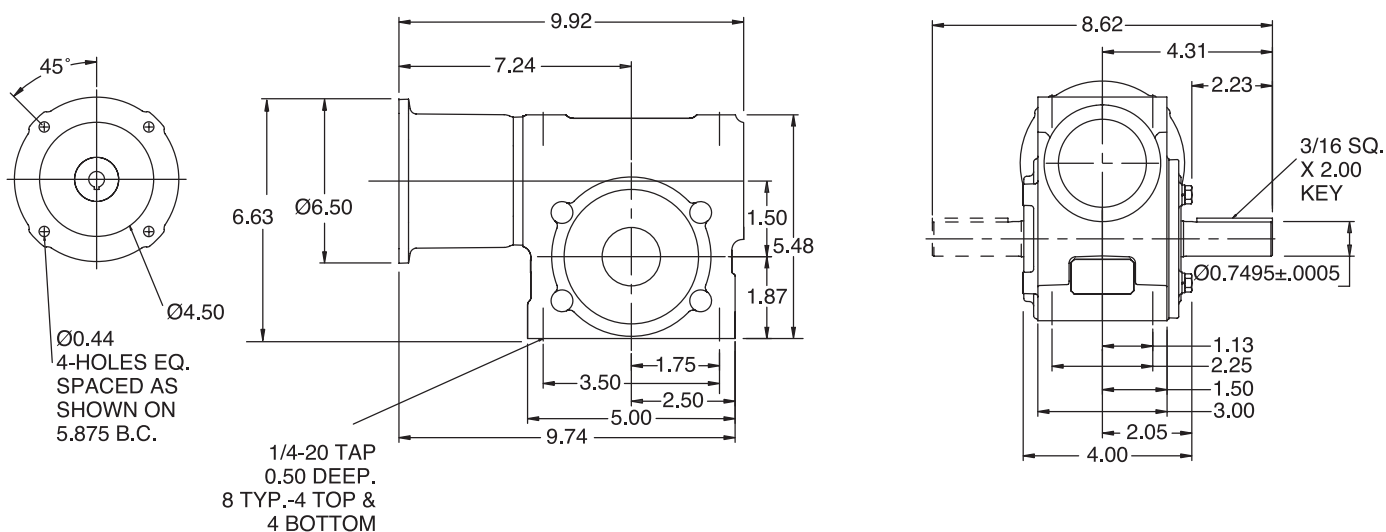
FEATURES/BENEFITS PAGE 2	SPECIFICATION PAGE 8	HOW TO ORDER/NOMENCLATURE PAGE 9	WASHDOWN PRODUCT PAGE 80
-----------------------------	-------------------------	-------------------------------------	-----------------------------



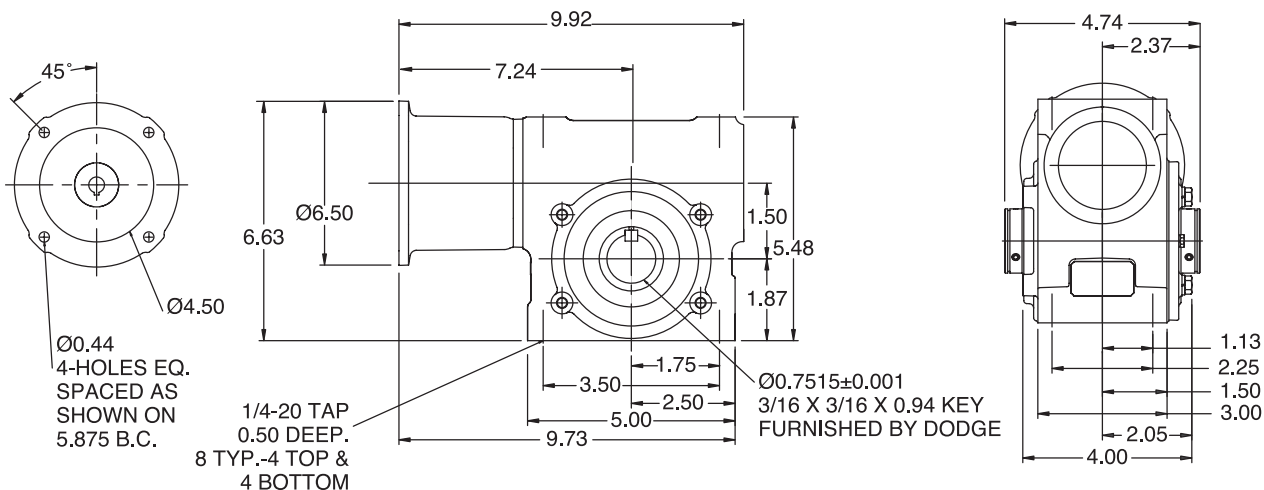
RATINGS/DIMENSIONS

Tigear-2 Reducers With 3-Piece Coupled Input - Size 15

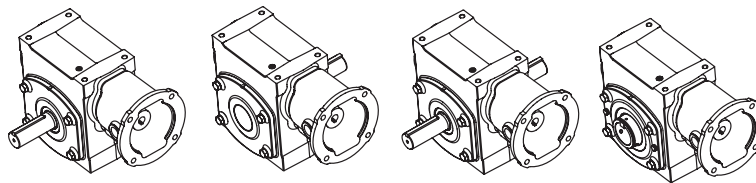
SOLID OUTPUT



HOLLOW OUTPUT



OUTPUT SHAFT CONFIGURATIONS



L

R

LR

H



RATINGS/DIMENSIONS

Tigear-2 Reducers With Quill Input - Size 17

Ratio	Output RPM	Rating Data 1750 Input RPM		Part Number		Shaft Position
				56C	140TC	
5	350	Mechanical Input HP	2.59	17Q05L56	17Q05L14	L
		Thermal Input HP	3.97	17Q05R56	17Q05R14	R
		Output Torque (lb. in.)	430	17Q05LR56	17Q05LR14	LR
		Mechanical Output HP	2.39	17Q05H56	17Q05H14	HOLLOW
		Output OHL (lbs.)	1050	-	-	-
7.5	233	Mechanical Input HP	2.06	17Q07L56	17Q07L14	L
		Thermal Input HP	3.42	17Q07R56	17Q07R14	R
		Output Torque (lb. in.)	500	17Q07LR56	17Q07LR14	LR
		Mechanical Output HP	1.88	17Q07H56	17Q07H14	HOLLOW
		Output OHL (lbs.)	1190	-	-	-
10	175	Mechanical Input HP	1.67	17Q10L56	17Q10L14	L
		Thermal Input HP	2.76	17Q10R56	17Q10R14	R
		Output Torque (lb. in.)	534	17Q10LR56	17Q10LR14	LR
		Mechanical Output HP	1.48	17Q10H56	17Q10H14	HOLLOW
		Output OHL (lbs.)	1190	-	-	-
15	117	Mechanical Input HP	1.27	17Q15L56	17Q15L14	L
		Thermal Input HP	2.01	17Q15R56	17Q15R14	R
		Output Torque (lb. in.)	583	17Q15LR56	17Q15LR14	LR
		Mechanical Output HP	1.08	17Q15H56	17Q15H14	HOLLOW
		Output OHL (lbs.)	1190	-	-	-
20	88	Mechanical Input HP	1.03	17Q20L56	17Q20L14	L
		Thermal Input HP	1.58	17Q20R56	17Q20R14	R
		Output Torque (lb. in.)	602	17Q20LR56	17Q20LR14	LR
		Mechanical Output HP	0.84	17Q20H56	17Q20H14	HOLLOW
		Output OHL (lbs.)	1190	-	-	-
25	70	Mechanical Input HP	0.88	17Q25L56	-	L
		Thermal Input HP	1.28	17Q25R56	-	R
		Output Torque (lb. in.)	609	17Q25LR56	-	LR
		Mechanical Output HP	0.68	17Q25H56	-	HOLLOW
		Output OHL (lbs.)	1190	-	-	-
30	58	Mechanical Input HP	0.76	17Q30L56	-	L
		Thermal Input HP	1.20	17Q30R56	-	R
		Output Torque (lb. in.)	615	17Q30LR56	-	LR
		Mechanical Output HP	0.57	17Q30H56	-	HOLLOW
		Output OHL (lbs.)	1190	-	-	-
40	44	Mechanical Input HP	0.60	17Q40L56	-	L
		Thermal Input HP	1.09	17Q40R56	-	R
		Output Torque (lb. in.)	627	17Q40LR56	-	LR
		Mechanical Output HP	0.43	17Q40H56	-	HOLLOW
		Output OHL (lbs.)	1190	-	-	-
50	35	Mechanical Input HP	0.51	17Q50L56	-	L
		Thermal Input HP	0.90	17Q50R56	-	R
		Output Torque (lb. in.)	608	17Q50LR56	-	LR
		Mechanical Output HP	0.34	17Q50H56	-	HOLLOW
		Output OHL (lbs.)	1190	-	-	-
60	29	Mechanical Input HP	0.43	17Q60L56	-	L
		Thermal Input HP	0.80	17Q60R56	-	R
		Output Torque (lb. in.)	576	17Q60LR56	-	LR
		Mechanical Output HP	0.27	17Q60H56	-	HOLLOW
		Output OHL (lbs.)	1190	-	-	-

Note: Reducers are shipped without a mounting base. Order bolt-on base kit **17BASE** if required.

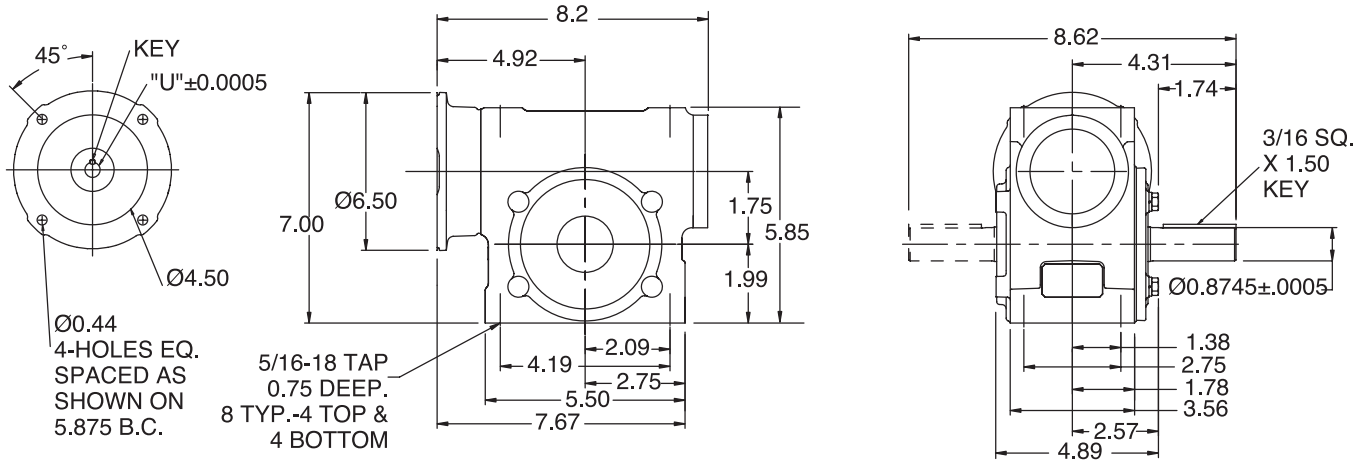
FEATURES/BENEFITS PAGE 2	SPECIFICATION PAGE 8	HOW TO ORDER/NOMENCLATURE PAGE 9	WASHDOWN PRODUCT PAGE 80
-----------------------------	-------------------------	-------------------------------------	-----------------------------



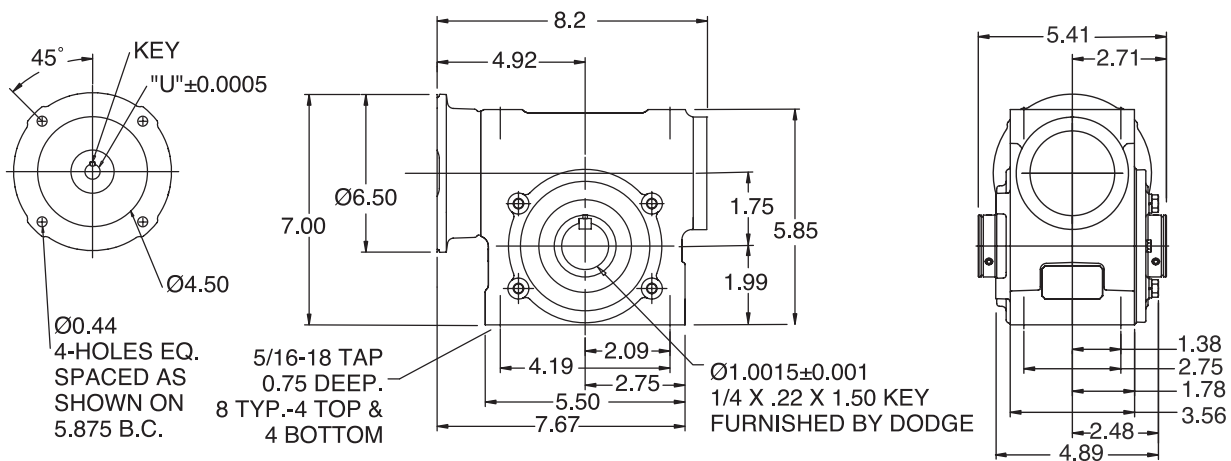
RATINGS/DIMENSIONS

Tigear-2 Reducers With Quill Input - Size 17

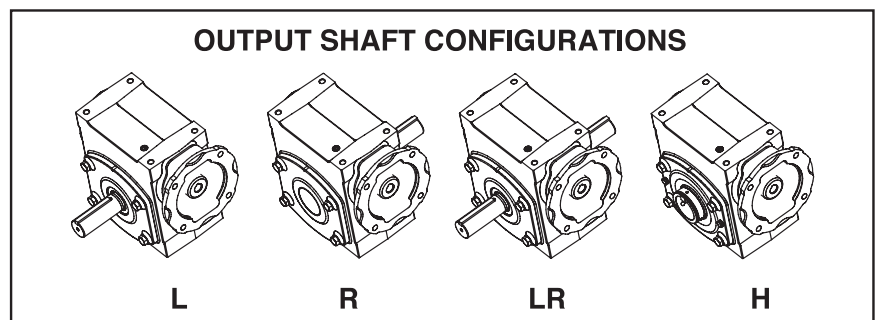
SOLID OUTPUT



HOLLOW OUTPUT



MOTOR FRAME	"U"	KEY
48Y 56C	.626	3/16 SQ. x 1.50 KEY
140TC 160ATC	.876	3/16 SQ x 1.50 KEY





RATINGS/DIMENSIONS

Tigear-2 Reducers With Separate Input - Size 17

Ratio	Output RPM	Rating Data 1750 Input RPM		Separate Reducer	Shaft Position	Optional Motor Adapter Kit	
						56C	140TC
5	350	Mechanical Input HP	2.59	17S05L	L	1720MTR56	1720MTR14
		Thermal Input HP	3.97	17S05R	R		
		Output Torque (lb. in.)	430	17S05LR	LR		
		Mechanical Output HP	2.39	17S05H	HOLLOW		
		Output OHL (lbs.)	1050	-	-		
7.5	233	Mechanical Input HP	2.06	17S07L	L	1720MTR56	1720MTR14
		Thermal Input HP	3.42	17S07R	R		
		Output Torque (lb. in.)	500	17S07LR	LR		
		Mechanical Output HP	1.88	17S07H	HOLLOW		
		Output OHL (lbs.)	1190	-	-		
10	175	Mechanical Input HP	1.67	17S10L	L	1720MTR56	1720MTR14
		Thermal Input HP	2.76	17S10R	R		
		Output Torque (lb. in.)	534	17S10LR	LR		
		Mechanical Output HP	1.48	17S10H	HOLLOW		
		Output OHL (lbs.)	1190	-	-		
15	117	Mechanical Input HP	1.27	17S15L	L	1720MTR56	1720MTR14
		Thermal Input HP	2.01	17S15R	R		
		Output Torque (lb. in.)	583	17S15LR	LR		
		Mechanical Output HP	1.08	17S15H	HOLLOW		
		Output OHL (lbs.)	1190	-	-		
20	88	Mechanical Input HP	1.03	17S20L	L	1720MTR56	1720MTR14
		Thermal Input HP	1.58	17S20R	R		
		Output Torque (lb. in.)	602	17S20LR	LR		
		Mechanical Output HP	0.84	17S20H	HOLLOW		
		Output OHL (lbs.)	1190	-	-		
25	70	Mechanical Input HP	0.88	17S25L	L	1720MTR56	-
		Thermal Input HP	1.28	17S25R	R		
		Output Torque (lb. in.)	609	17S25LR	LR		
		Mechanical Output HP	0.68	17S25H	HOLLOW		
		Output OHL (lbs.)	1190	-	-		
30	58	Mechanical Input HP	0.76	17S30L	L	1720MTR56	-
		Thermal Input HP	1.20	17S30R	R		
		Output Torque (lb. in.)	615	17S30LR	LR		
		Mechanical Output HP	0.57	17S30H	HOLLOW		
		Output OHL (lbs.)	1190	-	-		
40	44	Mechanical Input HP	0.60	17S40L	L	1720MTR56	-
		Thermal Input HP	1.09	17S40R	R		
		Output Torque (lb. in.)	627	17S40LR	LR		
		Mechanical Output HP	0.43	17S40H	HOLLOW		
		Output OHL (lbs.)	1190	-	-		
50	35	Mechanical Input HP	0.51	17S50L	L	1720MTR56	-
		Thermal Input HP	0.90	17S50R	R		
		Output Torque (lb. in.)	608	17S50LR	LR		
		Mechanical Output HP	0.34	17S50H	HOLLOW		
		Output OHL (lbs.)	1190	-	-		
60	29	Mechanical Input HP	0.43	17S60L	L	1720MTR56	-
		Thermal Input HP	0.80	17S60R	R		
		Output Torque (lb. in.)	576	17S60LR	LR		
		Mechanical Output HP	0.27	17S60H	HOLLOW		
		Output OHL (lbs.)	1190	-	-		
All Ratios		Input OHL (lbs)	140	One diameter from seal surface			-

Note: Tigear-2 separate reducers cannot be used with the old Adaptable Tigear motor adapter kits.

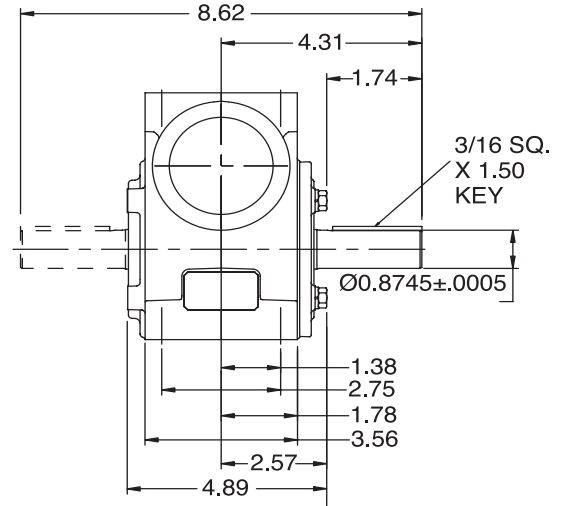
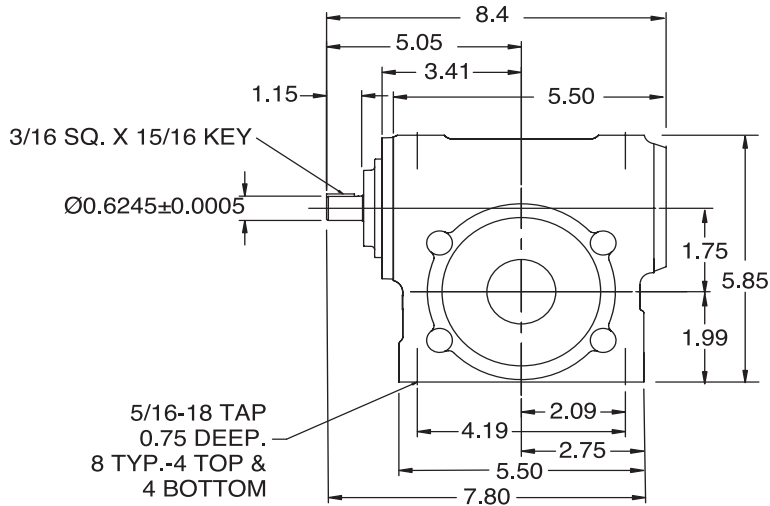
FEATURES/BENEFITS PAGE 2	SPECIFICATION PAGE 8	HOW TO ORDER/NOMENCLATURE PAGE 9	WASHDOWN PRODUCT PAGE 80
-----------------------------	-------------------------	-------------------------------------	-----------------------------



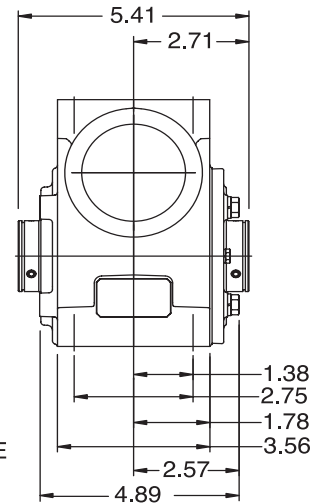
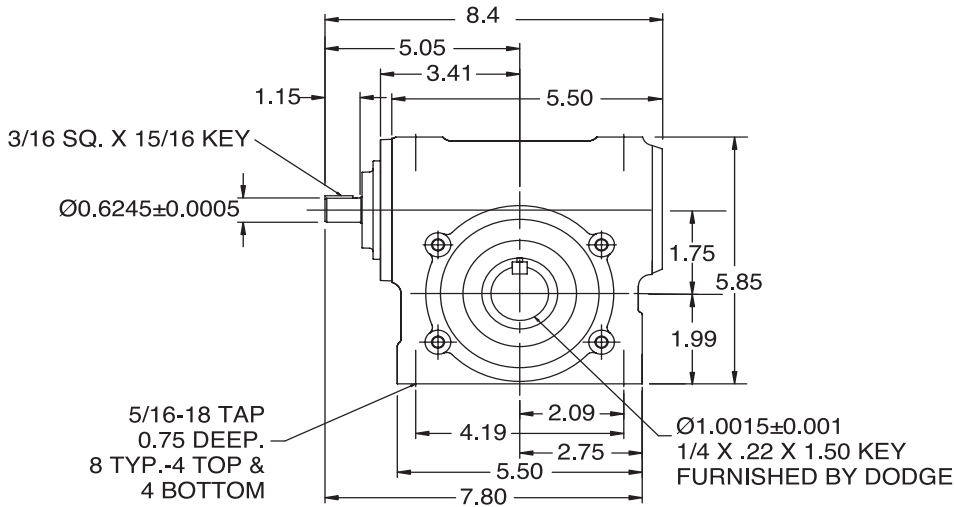
RATINGS/DIMENSIONS

Tigear-2 Reducers With Separate Input - Size 17

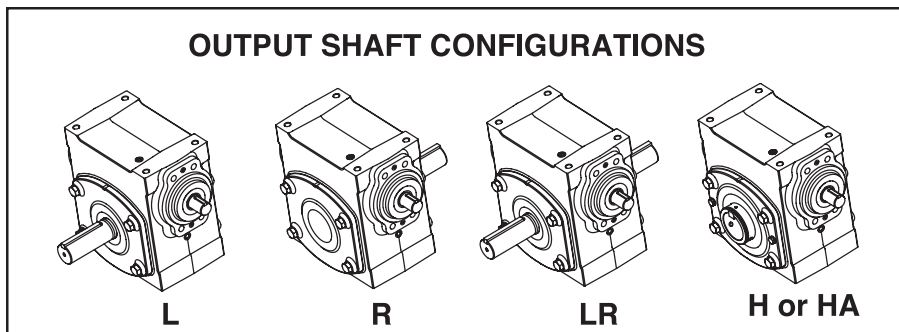
SOLID OUTPUT



HOLLOW OUTPUT



OUTPUT SHAFT CONFIGURATIONS





RATINGS/DIMENSIONS

Tigear-2 Reducers With 3-Piece Coupled Input - Size 17

3-piece coupled units include a separate reducer, 3-piece coupling and motor adapter housing assembled together. These assemblies are normally "made to order" with a 5 day standard lead time.

Ratio	Output RPM	Rating Data 1750 Input RPM		Part Number		Shaft Position
				56C	140TC	
5	350	Mechanical Input HP	2.59	17A05L56	17A05L14	L
		Thermal Input HP	3.97	17A05R56	17A05R14	R
		Output Torque (lb. in.)	430	17A05LR56	17A05LR14	LR
		Mechanical Output HP	2.39	17A05H56	17A05H14	HOLLOW
		Output OHL (lbs.)	1050	-	-	-
7.5	233	Mechanical Input HP	2.06	17A07L56	17A07L14	L
		Thermal Input HP	3.42	17A07R56	17A07R14	R
		Output Torque (lb. in.)	500	17A07LR56	17A07LR14	LR
		Mechanical Output HP	1.88	17A07H56	17A07H14	HOLLOW
		Output OHL (lbs.)	1190	-	-	-
10	175	Mechanical Input HP	1.67	17A10L56	17A10L14	L
		Thermal Input HP	2.76	17A10R56	17A10R14	R
		Output Torque (lb. in.)	534	17A10LR56	17A10LR14	LR
		Mechanical Output HP	1.48	17A10H56	17A10H14	HOLLOW
		Output OHL (lbs.)	1190	-	-	-
15	117	Mechanical Input HP	1.27	17A15L56	17A15L14	L
		Thermal Input HP	2.01	17A15R56	17A15R14	R
		Output Torque (lb. in.)	583	17A15LR56	17A15LR14	LR
		Mechanical Output HP	1.08	17A15H56	17A15H14	HOLLOW
		Output OHL (lbs.)	1190	-	-	-
20	88	Mechanical Input HP	1.03	17A20L56	17A20L14	L
		Thermal Input HP	1.58	17A20R56	17A20R14	R
		Output Torque (lb. in.)	602	17A20LR56	17A20LR14	LR
		Mechanical Output HP	0.84	17A20H56	17A20H14	HOLLOW
		Output OHL (lbs.)	1190	-	-	-
25	70	Mechanical Input HP	0.88	17A25L56	-	L
		Thermal Input HP	1.28	17A25R56	-	R
		Output Torque (lb. in.)	609	17A25LR56	-	LR
		Mechanical Output HP	0.68	17A25H56	-	HOLLOW
		Output OHL (lbs.)	1190	-	-	-
30	58	Mechanical Input HP	0.76	17A30L56	-	L
		Thermal Input HP	1.20	17A30R56	-	R
		Output Torque (lb. in.)	615	17A30LR56	-	LR
		Mechanical Output HP	0.57	17A30H56	-	HOLLOW
		Output OHL (lbs.)	1190	-	-	-
40	44	Mechanical Input HP	0.60	17A40L56	-	L
		Thermal Input HP	1.09	17A40R56	-	R
		Output Torque (lb. in.)	627	17A40LR56	-	LR
		Mechanical Output HP	0.43	17A40H56	-	HOLLOW
		Output OHL (lbs.)	1190	-	-	-
50	35	Mechanical Input HP	0.51	17A50L56	-	L
		Thermal Input HP	0.90	17A50R56	-	R
		Output Torque (lb. in.)	608	17A50LR56	-	LR
		Mechanical Output HP	0.34	17A50H56	-	HOLLOW
		Output OHL (lbs.)	1190	-	-	-
60	29	Mechanical Input HP	0.43	17A60L56	-	L
		Thermal Input HP	0.80	17A60R56	-	R
		Output Torque (lb. in.)	576	17A60LR56	-	LR
		Mechanical Output HP	0.27	17A60H56	-	HOLLOW
		Output OHL (lbs.)	1190	-	-	-

Note: Reducers are shipped without a mounting base. Order bolt-on base kit **17BASE** if required.

Features / Benefits

Specification / How to Order / Nomenclature

Selection Procedures / HP & S.F.

Ratings / Dimensions

Washdown E-Z Kleen

Washdown Ultra Kleen

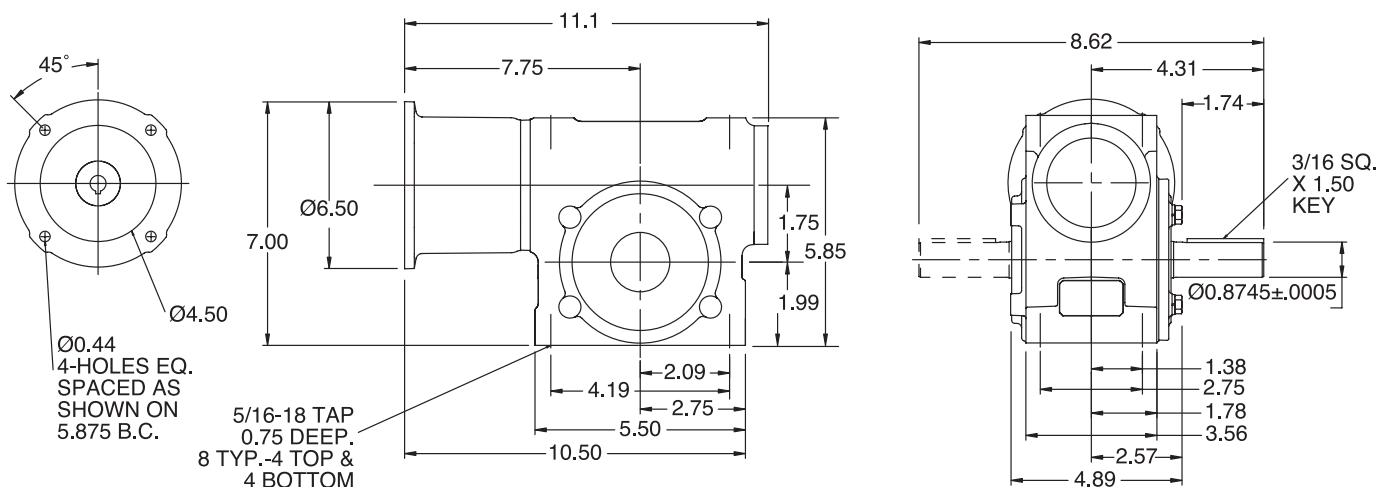
Ultra Kleen Dimensions



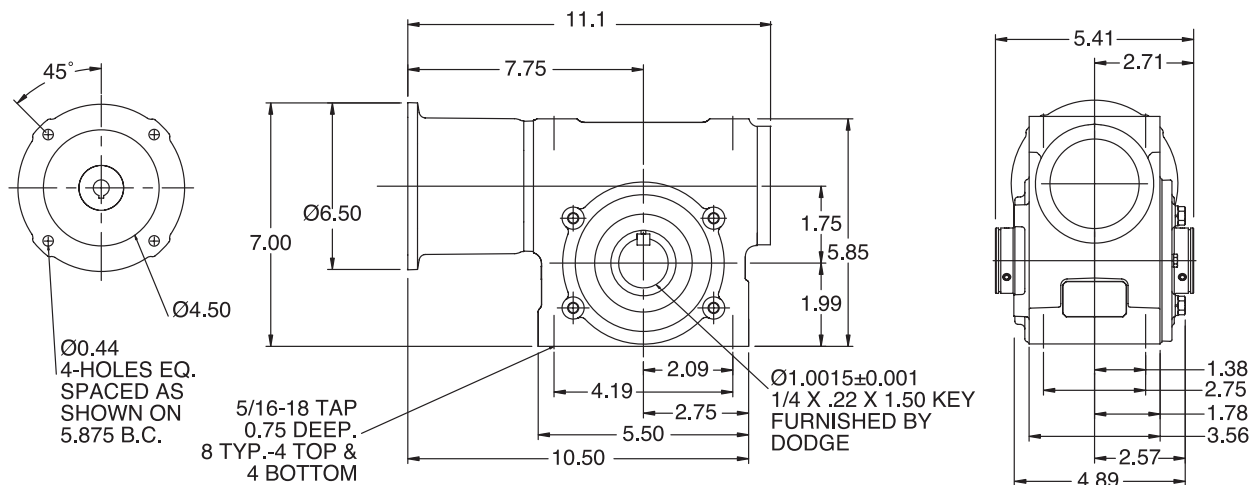
RATINGS/DIMENSIONS

Tigear-2 Reducers With 3-Piece Coupled Input - Size 17

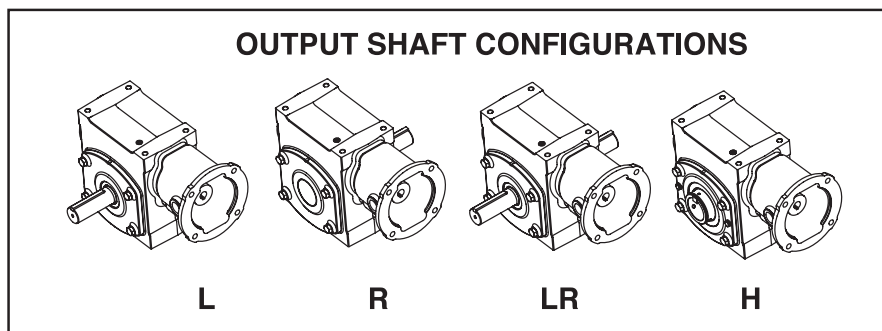
SOLID OUTPUT



HOLLOW OUTPUT



OUTPUT SHAFT CONFIGURATIONS





RATINGS/DIMENSIONS

Tigear-2 Reducers With Quill Input - Size 176 SIZE 17 WITH 1.00" EXTENDED LENGTH OUTPUT SHAFT

Motor Frame	Shaft Position	Ratio									
		5	7.5	10	15	20	25	30	40	50	60
56C	L	176Q05L56	176Q07L56	176Q10L56	176Q15L56	176Q20L56	176Q25L56	176Q30L56	176Q40L56	176Q50L56	176Q60L56
	R	176Q05R56	176Q07R56	176Q10R56	176Q15R56	176Q20R56	176Q25R56	176Q30R56	176Q40R56	176Q50R56	176Q60R56
140TC	L	176Q05L14	176Q07L14	176Q10L14	176Q15L14	176Q20L14	-	-	-	-	-
	R	176Q05R14	176Q07R14	176Q10R14	176Q15R14	176Q20R14	-	-	-	-	-

Note: Reducers are shipped without a mounting base. Order bolt-on base kit 17BASE if required.
Also available with 3-piece coupled input. To order, replace the letter "Q" in part number 176Q10L56, with letter "A" (176A10L56).

Features / Benefits

Specification / How to Order / Nomenclature

Selection Procedures / HP & S.F.

Ratings / Dimensions

Washdown E-Z Kleen

Washdown Ultra Kleen

Ultra Kleen Dimensions

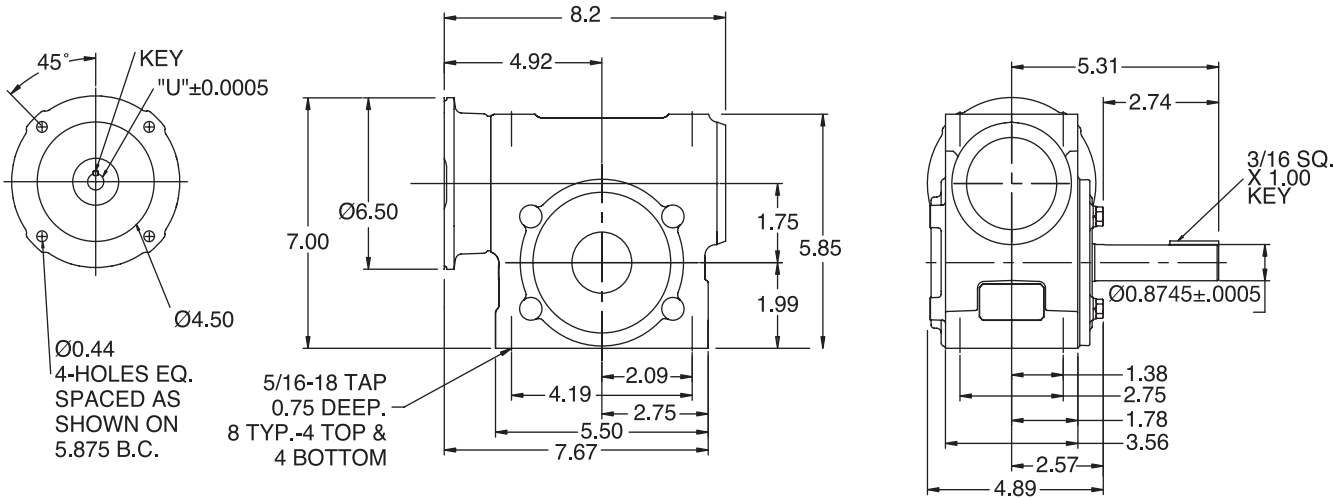
FEATURES/BENEFITS PAGE 2	SPECIFICATION PAGE 8	HOW TO ORDER/NOMENCLATURE PAGE 9	WASHDOWN PRODUCT PAGE 80
-----------------------------	-------------------------	-------------------------------------	-----------------------------



RATINGS/DIMENSIONS

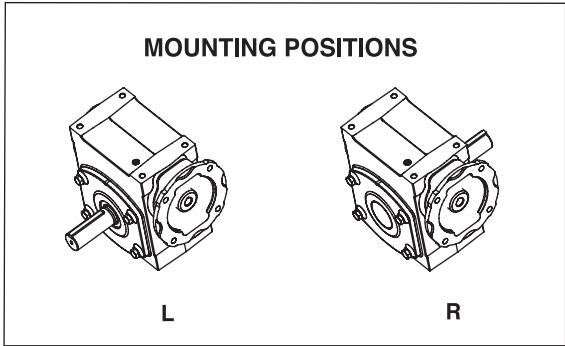
Tigear-2 Reducers With Quill Input - Size 176 SIZE 17 WITH 1.00" EXTENDED LENGTH OUTPUT SHAFT

SOLID OUTPUT



MOTOR FRAME	"U"	KEY
48Y 56C	.626	3/16 SQ. x 1.50 KEY
140TC 160ATC	.876	3/16 SQ x 1.50 KEY

MOUNTING POSITIONS



Features / Benefits

Specification / How to Order / Nomenclature

Selection Procedures / HP & S.F.

Ratings / Dimensions

Washdown E-Z Kleen

Washdown Ultra Kleen

Ultra Kleen Dimensions



RATINGS/DIMENSIONS

Tigear-2 Reducers With Quill Input - Size 20

Ratio	Output RPM	Rating Data 1750 Input RPM		Part Number		Shaft Position
				56C	140TC	
4	438	Available Upon Request				
5	350	Mechanical Input HP	3.47	20Q05L56	20Q05L14	L
		Thermal Input HP	4.9	20Q05R56	20Q05R14	R
		Output Torque (lb. in.)	581	20Q05LR56	20Q05LR14	LR
		Mechanical Output HP	3.23	20Q05H56	20Q05H14	HOLLOW
		Output OHL (lbs.)	1380	20Q05HA56	20Q05HA14	HOLLOW ALT.
7.5	233	Mechanical Input HP	2.78	20Q07L56	20Q07L14	L
		Thermal Input HP	4.15	20Q07R56	20Q07R14	R
		Output Torque (lb. in.)	678	20Q07LR56	20Q07LR14	LR
		Mechanical Output HP	2.54	20Q07H56	20Q07H14	HOLLOW
		Output OHL (lbs.)	1560	20Q07HA56	20Q07HA14	HOLLOW ALT.
10	175	Mechanical Input HP	2.25	20Q10L56	20Q10L14	L
		Thermal Input HP	3.25	20Q10R56	20Q10R14	R
		Output Torque (lb. in.)	725	20Q10LR56	20Q10LR14	LR
		Mechanical Output HP	2.01	20Q10H56	20Q10H14	HOLLOW
		Output OHL (lbs.)	1560	20Q10HA56	20Q10HA14	HOLLOW ALT.
12.7	138	Mechanical Input HP	1.90	20Q12L56	20Q12L14	L
		Thermal Input HP	2.83	20Q12R56	20Q12R14	R
		Output Torque (lb. in.)	770	20Q12LR56	20Q12LR14	LR
		Mechanical Output HP	1.69	20Q12H56	20Q12H14	HOLLOW
		Output OHL (lbs.)	1560	20Q12HA56	20Q12HA14	HOLLOW ALT.
15	117	Mechanical Input HP	1.69	20Q15L56	20Q15L14	L
		Thermal Input HP	2.52	20Q15R56	20Q15R14	R
		Output Torque (lb. in.)	790	20Q15LR56	20Q15LR14	LR
		Mechanical Output HP	1.46	20Q15H56	20Q15H14	HOLLOW
		Output OHL (lbs.)	1560	20Q15HA56	20Q15HA14	HOLLOW ALT.
18	97	Mechanical Input HP	1.46	20Q18L56	20Q18L14	L
		Thermal Input HP	2.12	20Q18R56	20Q18R14	R
		Output Torque (lb. in.)	795	20Q18LR56	20Q18LR14	LR
		Mechanical Output HP	1.23	20Q18H56	20Q18H14	HOLLOW
		Output OHL (lbs.)	1560	20Q18HA56	20Q18HA14	HOLLOW ALT.
20	88	Mechanical Input HP	1.34	20Q20L56	20Q20L14	L
		Thermal Input HP	1.99	20Q20R56	20Q20R14	R
		Output Torque (lb. in.)	796	20Q20LR56	20Q20LR14	LR
		Mechanical Output HP	1.11	20Q20H56	20Q20H14	HOLLOW
		Output OHL (lbs.)	1560	20Q20HA56	20Q20HA14	HOLLOW ALT.
25	70	Mechanical Input HP	1.11	20Q25L56	20Q25L14	L
		Thermal Input HP	1.59	20Q25R56	20Q25R14	R
		Output Torque (lb. in.)	788	20Q25LR56	20Q25LR14	LR
		Mechanical Output HP	0.88	20Q25H56	20Q25H14	HOLLOW
		Output OHL (lbs.)	1560	20Q25HA56	20Q25HA14	HOLLOW ALT.
30	58	Mechanical Input HP	0.96	20Q30L56		L
		Thermal Input HP	1.49	20Q30R56		R
		Output Torque (lb. in.)	802	20Q30LR56	-	LR
		Mechanical Output HP	0.74	20Q30H56		HOLLOW
		Output OHL (lbs.)	1560	20Q30HA56		HOLLOW ALT.
40	44	Mechanical Input HP	0.76	20Q40L56		L
		Thermal Input HP	1.29	20Q40R56		R
		Output Torque (lb. in.)	801	20Q40LR56	-	LR
		Mechanical Output HP	0.56	20Q40H56		HOLLOW
		Output OHL (lbs.)	1560	20Q40HA56		HOLLOW ALT.
50	35	Mechanical Input HP	0.64	20Q50L56		L
		Thermal Input HP	1.09	20Q50R56		R
		Output Torque (lb. in.)	787	20Q50LR56	-	LR
		Mechanical Output HP	0.44	20Q50H56		HOLLOW
		Output OHL (lbs.)	1560	20Q50HA56		HOLLOW ALT.
60	29	Mechanical Input HP	0.56	20Q60L56		L
		Thermal Input HP	0.96	20Q60R56		R
		Output Torque (lb. in.)	767	20Q60LR56	-	LR
		Mechanical Output HP	0.36	20Q60H56		HOLLOW
		Output OHL (lbs.)	1560	20Q60HA56		HOLLOW ALT.

Note: Reducers are shipped without a mounting base. Order bolt-on base kit 20BASE if required.

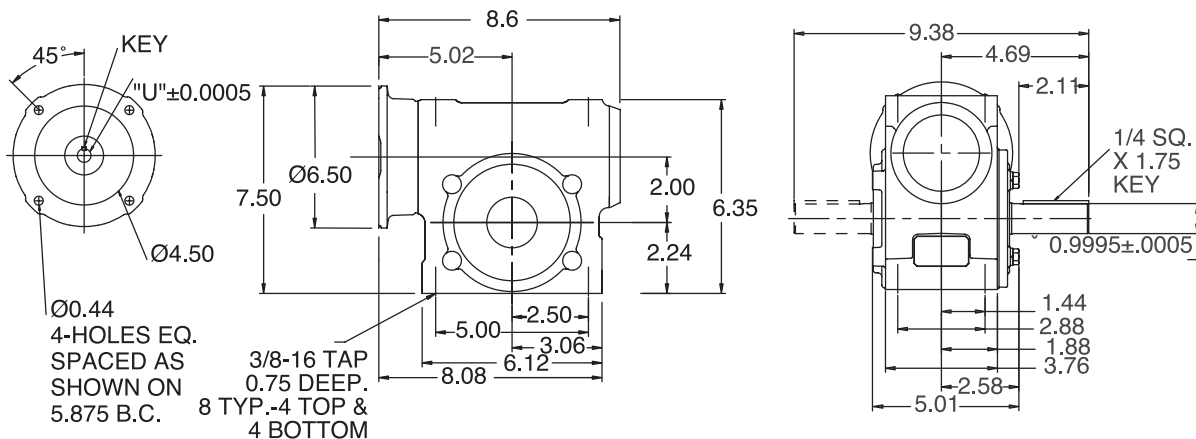
FEATURES/BENEFITS PAGE 2	SPECIFICATION PAGE 8	HOW TO ORDER/NOMENCLATURE PAGE 9	WASHDOWN PRODUCT PAGE 80
-----------------------------	-------------------------	-------------------------------------	-----------------------------



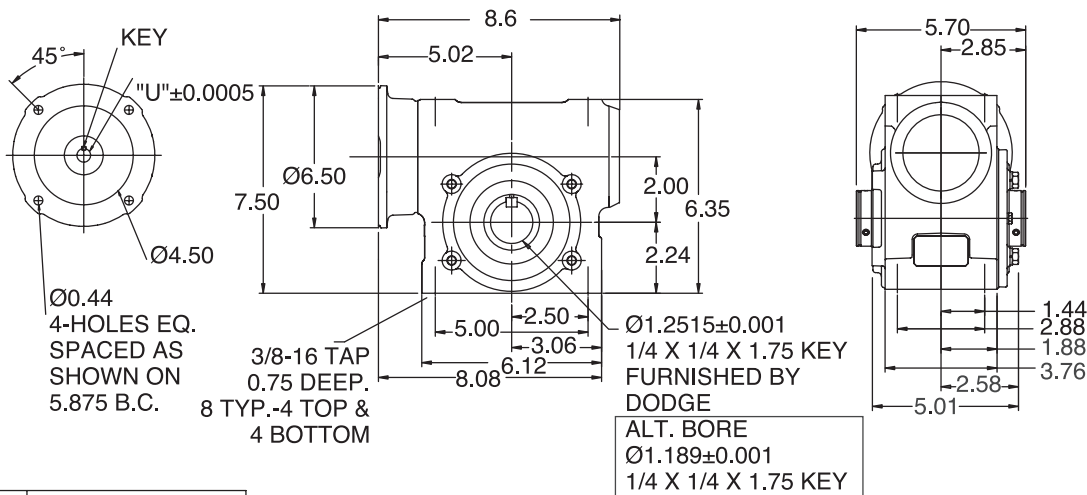
RATINGS/DIMENSIONS

Tigear-2 Reducers With Quill Input - Size 20

SOLID OUTPUT

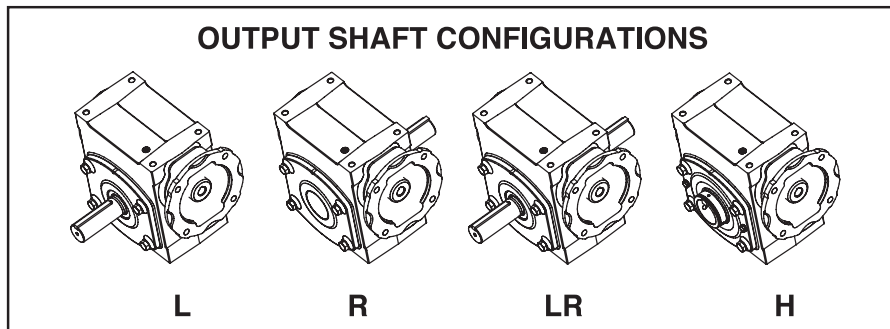


HOLLOW OUTPUT



MOTOR FRAME	"U"	KEY
48Y 56C	.626	3/16 SQ. x 1.50 KEY
140TC 160ATC	.876	3/16 SQ x 1.50 KEY

OUTPUT SHAFT CONFIGURATIONS





RATINGS/DIMENSIONS

Tigear-2 Reducers With Separate Input - Size 20

Ratio	Output RPM	Rating Data 1750 Input RPM		Separate Reducer	Shaft Position	Optional Motor Adapter Kit	
						56C	140TC
4	438	Available Upon Request					
5	350	Mechanical Input HP	3.47	20S05L	L	1720MTR56	1720MTR14
		Thermal Input HP	4.9	20S05R	R		
		Output Torque (lb. in.)	581	20S05LR	LR		
		Mechanical Output HP	3.23	20S05H	HOLLOW		
		Output OHL (lbs.)	1380	20S05HA	HOLLOW ALT.		
7.5	233	Mechanical Input HP	2.78	20S07L	L	1720MTR56	1720MTR14
		Thermal Input HP	4.15	20S07R	R		
		Output Torque (lb. in.)	678	20S07LR	LR		
		Mechanical Output HP	2.54	20S07H	HOLLOW		
		Output OHL (lbs.)	1560	20S07HA	HOLLOW ALT.		
10	175	Mechanical Input HP	2.25	20S10L	L	1720MTR56	1720MTR14
		Thermal Input HP	3.25	20S10R	R		
		Output Torque (lb. in.)	725	20S10LR	LR		
		Mechanical Output HP	2.01	20S10H	HOLLOW		
		Output OHL (lbs.)	1560	20S10HA	HOLLOW ALT.		
12.7	138	Mechanical Input HP	1.90	20S12L	L	1720MTR56	1720MTR14
		Thermal Input HP	2.83	20S12R	R		
		Output Torque (lb. in.)	770	20S12LR	LR		
		Mechanical Output HP	1.69	20S12H	HOLLOW		
		Output OHL (lbs.)	1560	20S12HA	HOLLOW ALT.		
15	117	Mechanical Input HP	1.69	20S15L	L	1720MTR56	1720MTR14
		Thermal Input HP	2.52	20S15R	R		
		Output Torque (lb. in.)	790	20S15LR	LR		
		Mechanical Output HP	1.46	20S15H	HOLLOW		
		Output OHL (lbs.)	1560	20S15HA	HOLLOW ALT.		
18	97	Mechanical Input HP	1.46	20S18L	L	1720MTR56	1720MTR14
		Thermal Input HP	2.12	20S18R	R		
		Output Torque (lb. in.)	795	20S18LR	LR		
		Mechanical Output HP	1.23	20S18H	HOLLOW		
		Output OHL (lbs.)	1560	20S18HA	HOLLOW ALT.		
20	88	Mechanical Input HP	1.34	20S20L	L	1720MTR56	1720MTR14
		Thermal Input HP	1.99	20S20R	R		
		Output Torque (lb. in.)	796	20S20LR	LR		
		Mechanical Output HP	1.11	20S20H	HOLLOW		
		Output OHL (lbs.)	1560	20S20HA	HOLLOW ALT.		
25	70	Mechanical Input HP	1.11	20S25L	L	1720MTR56	1720MTR14
		Thermal Input HP	1.59	20S25R	R		
		Output Torque (lb. in.)	788	20S25LR	LR		
		Mechanical Output HP	0.88	20S25H	HOLLOW		
		Output OHL (lbs.)	1560	20S25HA	HOLLOW ALT.		
30	58	Mechanical Input HP	0.96	20S30L	L	1720MTR56	-
		Thermal Input HP	1.49	20S30R	R		
		Output Torque (lb. in.)	802	20S30LR	LR		
		Mechanical Output HP	0.74	20S30H	HOLLOW		
		Output OHL (lbs.)	1560	20S30HA	HOLLOW ALT.		
40	44	Mechanical Input HP	0.76	20S40L	L	1720MTR56	-
		Thermal Input HP	1.29	20S40R	R		
		Output Torque (lb. in.)	801	20S40LR	LR		
		Mechanical Output HP	0.56	20S40H	HOLLOW		
		Output OHL (lbs.)	1560	20S40HA	HOLLOW ALT.		
50	35	Mechanical Input HP	0.64	20S50L	L	1720MTR56	-
		Thermal Input HP	1.09	20S50R	R		
		Output Torque (lb. in.)	787	20S50LR	LR		
		Mechanical Output HP	0.44	20S50H	HOLLOW		
		Output OHL (lbs.)	1560	20S50HA	HOLLOW ALT.		
60	29	Mechanical Input HP	0.56	20S60L	L	1720MTR56	-
		Thermal Input HP	0.96	20S60R	R		
		Output Torque (lb. in.)	767	20S60LR	LR		
		Mechanical Output HP	0.36	20S60H	HOLLOW		
		Output OHL (lbs.)	1560	20S60HA	HOLLOW ALT.		
All Ratios		Input OHL (lbs)	200	One diameter from seal surface			-

Note: Tigear-2 separate reducers cannot be used with the old adaptable Tigear motor adapter kits.

FEATURES/BENEFITS PAGE 2	SPECIFICATION PAGE 8	HOW TO ORDER/NOMENCLATURE PAGE 9	WASHDOWN PRODUCT PAGE 80
-----------------------------	-------------------------	-------------------------------------	-----------------------------

Features / Benefits

Specification / How to Order / Nomenclature

Selection Procedures / HP & S.F.

Ratings / Dimensions

Washdown E-Z Kleen

Washdown Ultra Kleen

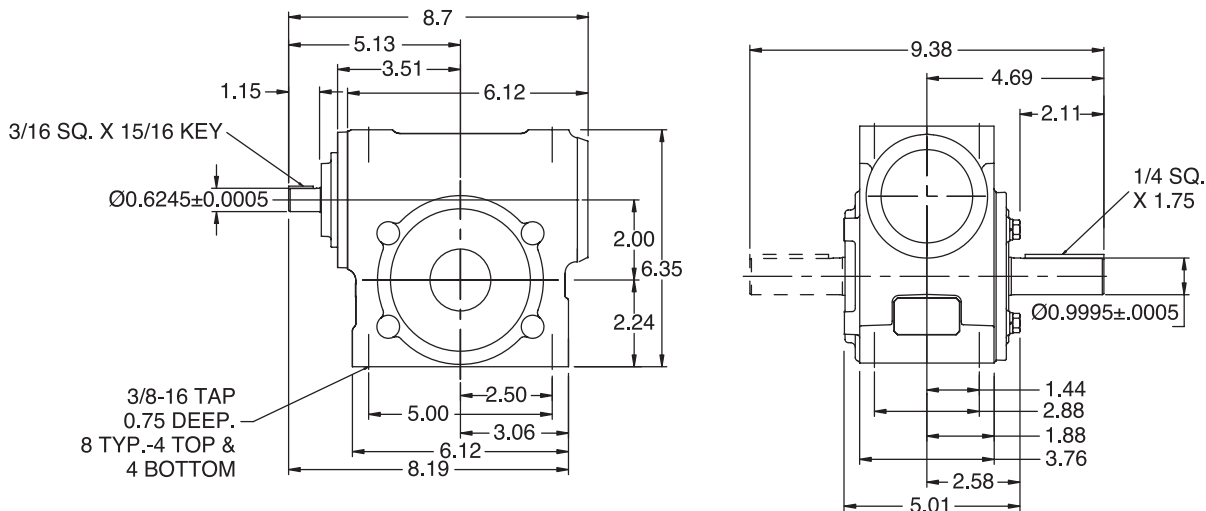
Ultra Kleen Dimensions



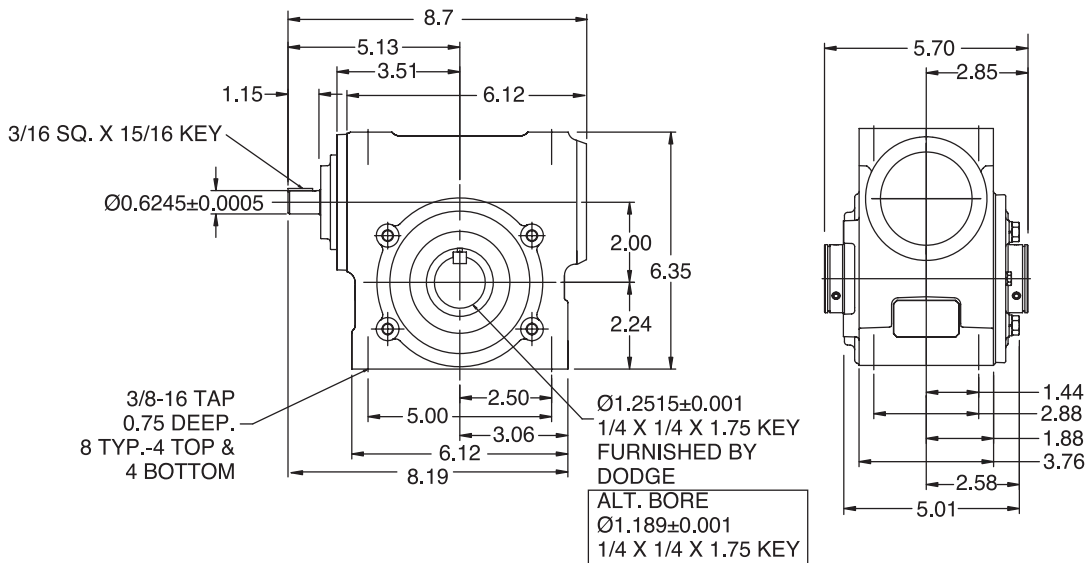
RATINGS/DIMENSIONS

Tigear-2 Reducers With Separate Input - Size 20

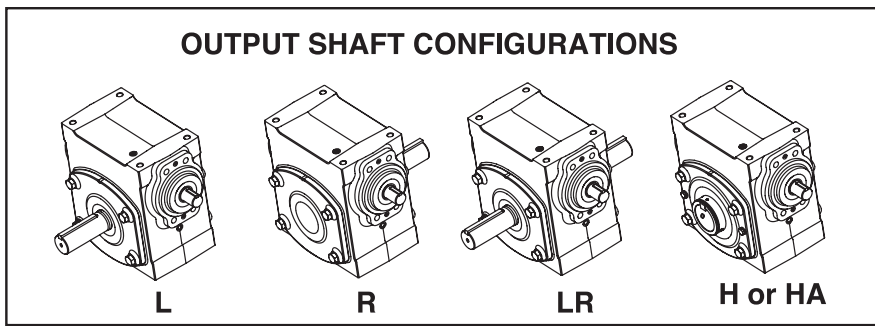
SOLID OUTPUT



HOLLOW OUTPUT



OUTPUT SHAFT CONFIGURATIONS





RATINGS/DIMENSIONS

Tigear-2 Reducers With 3-Piece Coupled Input - Size 20

3-piece coupled units include a separate reducer, 3-piece coupling and motor adapter housing assembled together. These assemblies are normally "made to order" with a 5 day standard lead time.

Ratio	Output RPM	Rating Data 1750 Input RPM		Part Number		Shaft Position
				56C	140TC	
4	438	Available Upon Request				
		Mechanical Input HP	3.47	20A05L56	20A05L14	L
5	350	Thermal Input HP	4.90	20A05R56	20A05R14	R
		Output Torque (lb. in.)	581	20A05LR56	20A05LR14	LR
		Mechanical Output HP	3.23	20A05H56	20A05H14	HOLLOW
		Output OHL (lbs.)	1380	20A05HA56	20A05HA14	HOLLOW ALT.
		Mechanical Input HP	2.78	20A07L56	20A07L14	L
7.5	233	Thermal Input HP	4.15	20A07R56	20A07R14	R
		Output Torque (lb. in.)	678	20A07LR56	20A07LR14	LR
		Mechanical Output HP	2.54	20A07H56	20A07H14	HOLLOW
		Output OHL (lbs.)	1560	20A07HA56	20A07HA14	HOLLOW ALT.
		Mechanical Input HP	2.25	20A10L56	20A10L14	L
10	175	Thermal Input HP	3.25	20A10R56	20A10R14	R
		Output Torque (lb. in.)	725	20A10LR56	20A10LR14	LR
		Mechanical Output HP	2.01	20A10H56	20A10H14	HOLLOW
		Output OHL (lbs.)	1560	20A10HA56	20A10HA14	HOLLOW ALT.
		Mechanical Input HP	1.90	20A12L56	20A12L14	L
12.7	138	Thermal Input HP	2.83	20A12R56	20A12R14	R
		Output Torque (lb. in.)	770	20A12LR56	20A12LR14	LR
		Mechanical Output HP	1.69	20A12H56	20A12H14	HOLLOW
		Output OHL (lbs.)	1560	20A12HA56	20A12HA14	HOLLOW ALT.
		Mechanical Input HP	1.69	20A15L56	20A15L14	L
15	117	Thermal Input HP	2.52	20A15R56	20A15R14	R
		Output Torque (lb. in.)	790	20A15LR56	20A15LR14	LR
		Mechanical Output HP	1.46	20A15H56	20A15H14	HOLLOW
		Output OHL (lbs.)	1560	20A15HA56	20A15HA14	HOLLOW ALT.
		Mechanical Input HP	1.46	20A18L56	20A18L14	L
18	97	Thermal Input HP	2.12	20A18R56	20A18R14	R
		Output Torque (lb. in.)	795	20A18LR56	20A18LR14	LR
		Mechanical Output HP	1.23	20A18H56	20A18H14	HOLLOW
		Output OHL (lbs.)	1560	20A18HA56	20A18HA14	HOLLOW ALT.
		Mechanical Input HP	1.34	20A20L56	20A20L14	L
20	88	Thermal Input HP	1.99	20A20R56	20A20R14	R
		Output Torque (lb. in.)	796	20A20LR56	20A20LR14	LR
		Mechanical Output HP	1.11	20A20H56	20A20H14	HOLLOW
		Output OHL (lbs.)	1560	20A20HA56	20A20HA14	HOLLOW ALT.
		Mechanical Input HP	1.11	20A25L56	20A25L14	L
25	70	Thermal Input HP	1.59	20A25R56	20A25R14	R
		Output Torque (lb. in.)	788	20A25LR56	20A25LR14	LR
		Mechanical Output HP	0.88	20A25H56	20A25H14	HOLLOW
		Output OHL (lbs.)	1560	20A25HA56	20A25HA14	HOLLOW ALT.
		Mechanical Input HP	0.96	20A30L56		L
30	58	Thermal Input HP	1.49	20A30R56		R
		Output Torque (lb. in.)	802	20A30LR56	-	LR
		Mechanical Output HP	0.74	20A30H56		HOLLOW
		Output OHL (lbs.)	1560	20A30HA56		HOLLOW ALT.
		Mechanical Input HP	0.76	20A40L56		L
40	44	Thermal Input HP	1.29	20A40R56		R
		Output Torque (lb. in.)	801	20A40LR56	-	LR
		Mechanical Output HP	0.56	20A40H56		HOLLOW
		Output OHL (lbs.)	1560	20A40HA56		HOLLOW ALT.
		Mechanical Input HP	0.64	20A50L56		L
50	35	Thermal Input HP	1.09	20A50R56		R
		Output Torque (lb. in.)	787	20A50LR56	-	LR
		Mechanical Output HP	0.44	20A50H56		HOLLOW
		Output OHL (lbs.)	1560	20A50HA56		HOLLOW ALT.
		Mechanical Input HP	0.56	20A60L56		L
60	29	Thermal Input HP	0.96	20A60R56		R
		Output Torque (lb. in.)	767	20A60LR56	-	LR
		Mechanical Output HP	0.36	20A60H56		HOLLOW
		Output OHL (lbs.)	1560	20A60HA56		HOLLOW ALT.

Note: Reducers are shipped without a mounting base. Order bolt-on base kit 20BASE if required.

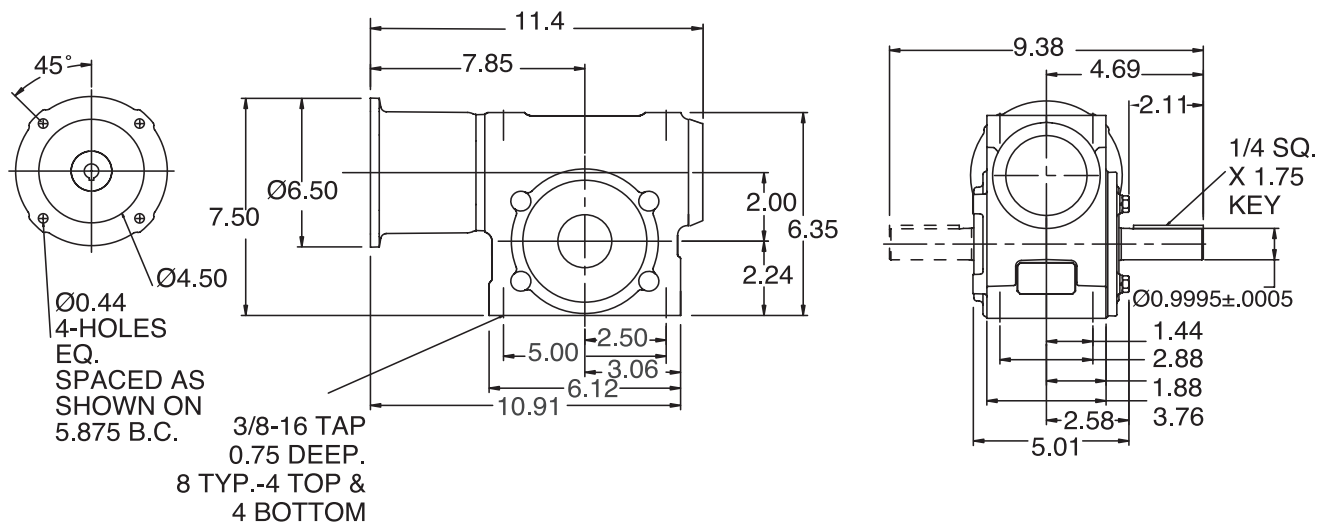
FEATURES/BENEFITS PAGE 2	SPECIFICATION PAGE 8	HOW TO ORDER/NOMENCLATURE PAGE 9	WASHDOWN PRODUCT PAGE 80
-----------------------------	-------------------------	-------------------------------------	-----------------------------



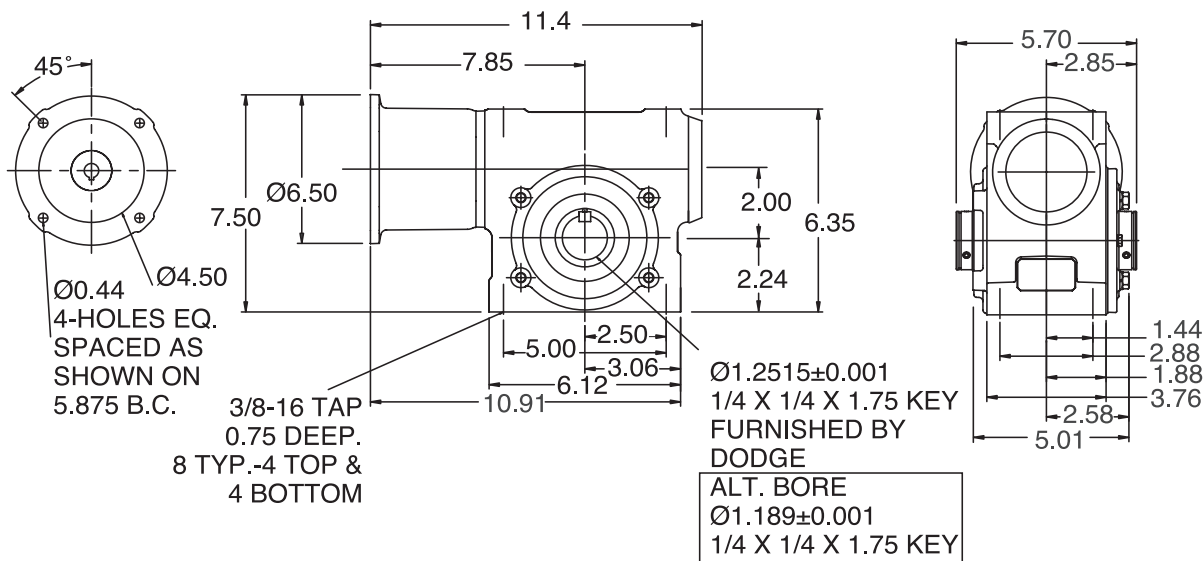
RATINGS/DIMENSIONS

Tigear-2 Reducers With 3-Piece Coupled Input - Size 20

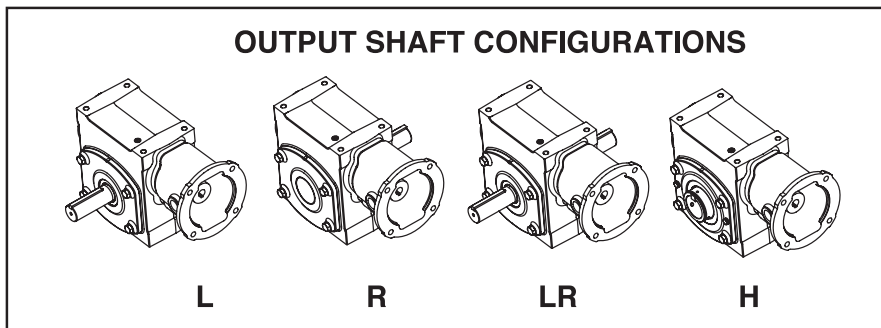
SOLID OUTPUT



HOLLOW OUTPUT



OUTPUT SHAFT CONFIGURATIONS





RATINGS/DIMENSIONS

Tigear-2 Reducers With Quill Input - Size 202 SIZE 20 WITH 2.00" EXTENDED LENGTH OUTPUT SHAFT

Motor Frame	Shaft Position	Ratio									
		5	7.5	10	15	20	25	30	40	50	60
56C	L	202Q05L56	202Q07L56	202Q10L56	202Q15L56	202Q20L56	202Q25L56	202Q30L56	202Q40L56	202Q50L56	202Q60L56
	R	202Q05R56	202Q07R56	202Q10R56	202Q15R56	202Q20R56	202Q25R56	202Q30R56	202Q40R56	202Q50R56	202Q60R56
140TC	L	202Q05L14	202Q07L14	202Q10L14	202Q15L14	202Q20L14	202Q25L14	-	-	-	-
	R	202Q05R14	202Q07R14	202Q10R14	202Q15R14	202Q20R14	202Q25R14	-	-	-	-

Note: Reducers are shipped without a mounting base. Order bolt-on base kit **20BASE** if required.
Also available with 3-piece coupled input. To order, replace the letter "Q" in part number 202Q10L56, with letter "A" (202A10L56).

- Features / Benefits
- Specification / How to Order / Nomenclature
- Selection Procedures / HP & S.F.
- Ratings / Dimensions
- Washdown E-Z Kleen
- Washdown Ultra Kleen
- Ultra Kleen Dimensions

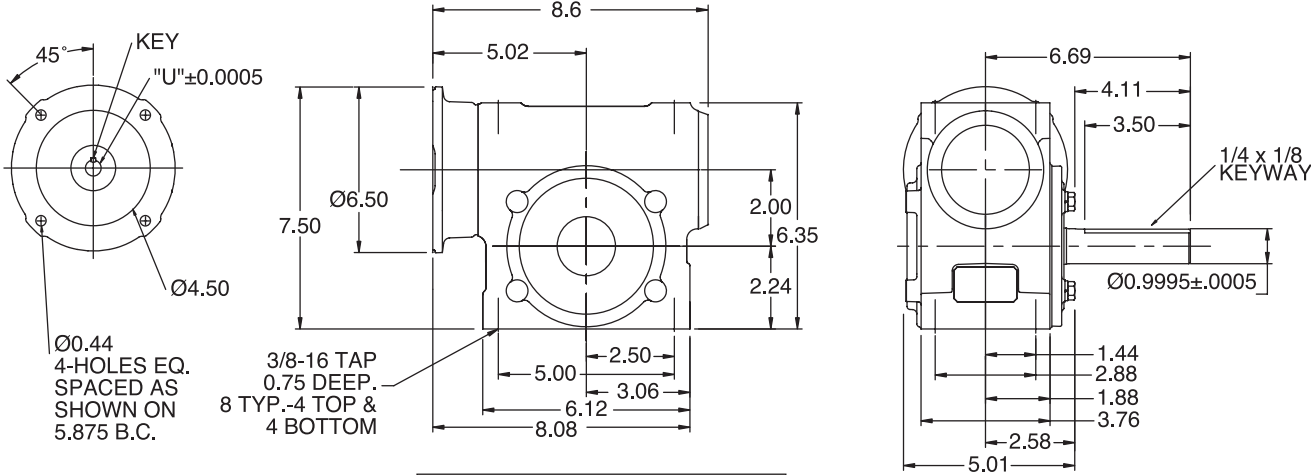
FEATURES/BENEFITS PAGE 2	SPECIFICATION PAGE 8	HOW TO ORDER/NOMENCLATURE PAGE 9	WASHDOWN PRODUCT PAGE 80
-----------------------------	-------------------------	-------------------------------------	-----------------------------



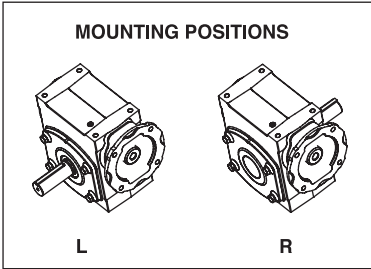
RATINGS/DIMENSIONS

Tigear-2 Reducers With Quill Input - Size 202 SIZE 20 WITH 2.00" EXTENDED LENGTH OUTPUT SHAFT

SOLID OUTPUT



MOTOR FRAME	"U"	KEY
48Y 56C	.626	3/16 SQ. x 1.50 KEY
140TC 160ATC	.876	3/16 SQ x 1.50 KEY



Features / Benefits

Specification / How to Order / Nomenclature

Selection Procedures / HP & S.F.

Ratings / Dimensions

Washdown E-Z Kleen

Washdown Ultra Kleen

Ultra Kleen Dimensions



RATINGS/DIMENSIONS

Tigear-2 Reducers With Quill Input - Size 23

Ratio	Output RPM	Rating Data		Part Number			Shaft Position
		1750 Input RPM		56C	140TC	180TC	
4	438	Available Upon Request					
5	350	Mechanical Input HP	5.25	23Q05L56	23Q05L14	23Q05L18	L
		Thermal Input HP	6.61	23Q05R56	23Q05R14	23Q05R18	R
		Output Torque (lb. in.)	881	23Q05LR56	23Q05LR14	23Q05LR18	LR
		Mechanical Output HP	4.89	23Q05H56	23Q05H14	23Q05H18	HOLLOW
		Output OHL (lbs.)	1330	23Q05HA56	23Q05HA14	23Q05HA18	HOLLOW ALT.
7.5	233	Mechanical Input HP	4.18	23Q07L56	23Q07L14	23Q07L18	L
		Thermal Input HP	5.64	23Q07R56	23Q07R14	23Q07R18	R
		Output Torque (lb. in.)	1026	23Q07LR56	23Q07LR14	23Q07LR18	LR
		Mechanical Output HP	3.85	23Q07H56	23Q07H14	23Q07H18	HOLLOW
		Output OHL (lbs.)	1520	23Q07HA56	23Q07HA14	23Q07HA18	HOLLOW ALT.
10	175	Mechanical Input HP	3.42	23Q10L56	23Q10L14	23Q10L18	L
		Thermal Input HP	4.40	23Q10R56	23Q10R14	23Q10R18	R
		Output Torque (lb. in.)	1106	23Q10LR56	23Q10LR14	23Q10LR18	LR
		Mechanical Output HP	3.07	23Q10H56	23Q10H14	23Q10H18	HOLLOW
		Output OHL (lbs.)	1610	23Q10HA56	23Q10HA14	23Q10HA18	HOLLOW ALT.
12.7	138	Mechanical Input HP	2.91	23Q12L56	23Q12L14	23Q12L18	L
		Thermal Input HP	3.78	23Q12R56	23Q12R14	23Q12R18	R
		Output Torque (lb. in.)	1170	23Q12LR56	23Q12LR14	23Q12LR18	LR
		Mechanical Output HP	2.56	23Q12H56	23Q12H14	23Q12H18	HOLLOW
		Output OHL (lbs.)	1610	23Q12HA56	23Q12HA14	23Q12HA18	HOLLOW ALT.
15	117	Mechanical Input HP	2.57	23Q15L56	23Q15L14		L
		Thermal Input HP	3.30	23Q15R56	23Q15R14		R
		Output Torque (lb. in.)	1199	23Q15LR56	23Q15LR14	-	LR
		Mechanical Output HP	2.22	23Q15H56	23Q15H14		HOLLOW
		Output OHL (lbs.)	1610	23Q15HA56	23Q15HA14		HOLLOW ALT.
20	88	Mechanical Input HP	2.00	23Q20L56	23Q20L14		L
		Thermal Input HP	2.62	23Q20R56	23Q20R14		R
		Output Torque (lb. in.)	1178	23Q20LR56	23Q20LR14	-	LR
		Mechanical Output HP	1.64	23Q20H56	23Q20H14		HOLLOW
		Output OHL (lbs.)	1610	23Q20HA56	23Q20HA14		HOLLOW ALT.
25	70	Mechanical Input HP	1.65	23Q25L56	23Q25L14		L
		Thermal Input HP	2.16	23Q25R56	23Q25R14		R
		Output Torque (lb. in.)	1184	23Q25LR56	23Q25LR14	-	LR
		Mechanical Output HP	1.32	23Q25H56	23Q25H14		HOLLOW
		Output OHL (lbs.)	1610	23Q25HA56	23Q25HA14		HOLLOW ALT.
30	58	Mechanical Input HP	1.42	23Q30L56	23Q30L14		L
		Thermal Input HP	2.06	23Q30R56	23Q30R14		R
		Output Torque (lb. in.)	1201	23Q30LR56	23Q30LR14	-	LR
		Mechanical Output HP	1.11	23Q30H56	23Q30H14		HOLLOW
		Output OHL (lbs.)	1610	23Q30HA56	23Q30HA14		HOLLOW ALT.
40	44	Mechanical Input HP	1.11	23Q40L56	23Q40L14		L
		Thermal Input HP	1.73	23Q40R56	23Q40R14		R
		Output Torque (lb. in.)	1193	23Q40LR56	23Q40LR14	-	LR
		Mechanical Output HP	0.83	23Q40H56	23Q40H14		HOLLOW
		Output OHL (lbs.)	1610	23Q40HA56	23Q40HA14		HOLLOW ALT.
50	35	Mechanical Input HP	0.95	23Q50L56			L
		Thermal Input HP	1.42	23Q50R56			R
		Output Torque (lb. in.)	1182	23Q50LR56	-	-	LR
		Mechanical Output HP	0.66	23Q50H56			HOLLOW
		Output OHL (lbs.)	1610	23Q50HA56			HOLLOW ALT.
60	29	Mechanical Input HP	0.80	23Q60L56			L
		Thermal Input HP	1.24	23Q60R56			R
		Output Torque (lb. in.)	1111	23Q60LR56	-	-	LR
		Mechanical Output HP	0.51	23Q60H56			HOLLOW
		Output OHL (lbs.)	1610	23Q60HA56			HOLLOW ALT.

Note: Reducers are shipped without a mounting base. Order bolt-on base kit 23BASE if required.

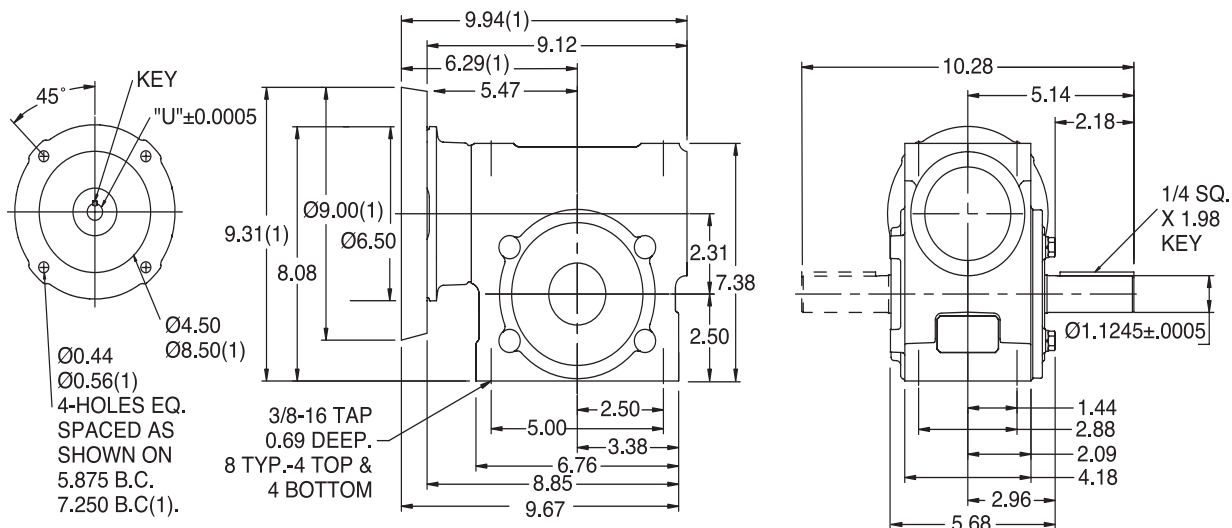
FEATURES/BENEFITS PAGE 2	SPECIFICATION PAGE 8	HOW TO ORDER/NOMENCLATURE PAGE 9	WASHDOWN PRODUCT PAGE 80
-----------------------------	-------------------------	-------------------------------------	-----------------------------



RATINGS/DIMENSIONS

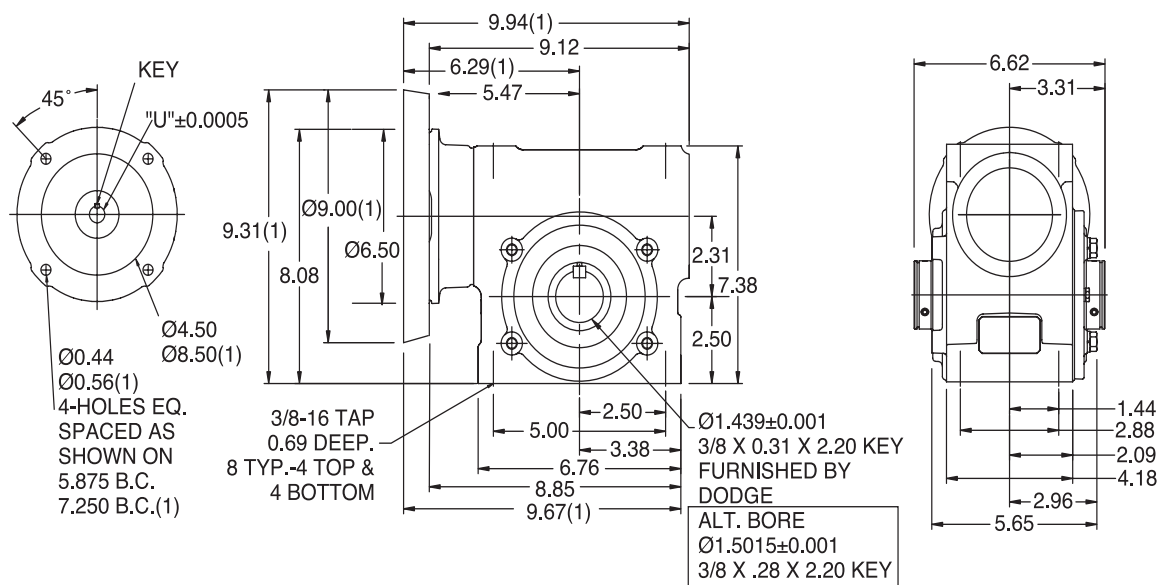
Tigear-2 Reducers With Quill Input - Size 23

SOLID OUTPUT

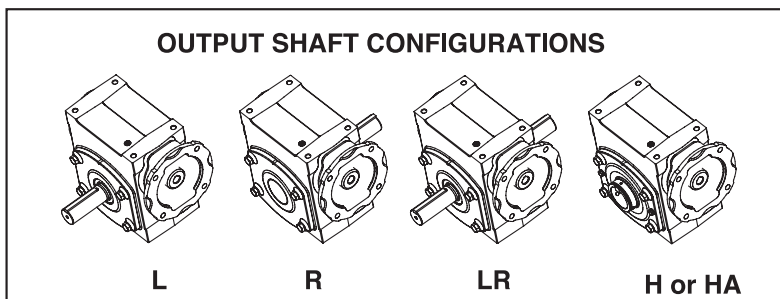


(1) DIMENSIONS APPLY TO 180 FRAME MOTOR ADAPTER

HOLLOW OUTPUT



MOTOR FRAME	"U"	KEY
48Y 56C	.6255	3/16 SQ. x 1.50 KEY
140TC 160ATC	.8755	3/16 SQ x 1.50 KEY
180TC 180ATC	1.1255	1/4 SQ x 2.00 KEY





RATINGS/DIMENSIONS

Tigear-2 Reducers With Separate Input - Size 23

Ratio	Output RPM	Rating Data 1750 Input RPM		Separate Reducer	Shaft Position	Optional Motor Adapter Kit			
						56C	140TC	180TC	
4	438	Available Upon Request							
5	350	Mechanical Input HP	5.25	23S05L	L	2330MTR56	2330MTR14	2330MTR18	
		Thermal Input HP	6.61	23S05R	R				
		Output Torque (lb. in.)	881	23S05LR	LR				
		Mechanical Output HP	4.89	23S05H	HOLLOW				
		Output OHL (lbs.)	1330	23S05HA	HOLLOW ALT.				
7.5	233	Mechanical Input HP	4.18	23S07L	L	2330MTR56	2330MTR14	2330MTR18	
		Thermal Input HP	5.64	23S07R	R				
		Output Torque (lb. in.)	1026	23S07LR	LR				
		Mechanical Output HP	3.85	23S07H	HOLLOW				
		Output OHL (lbs.)	1520	23S07HA	HOLLOW ALT.				
10	175	Mechanical Input HP	3.42	23S10L	L	2330MTR56	2330MTR14	2330MTR18	
		Thermal Input HP	4.40	23S10R	R				
		Output Torque (lb. in.)	1106	23S10LR	LR				
		Mechanical Output HP	3.07	23S10H	HOLLOW				
		Output OHL (lbs.)	1610	23S10HA	HOLLOW ALT.				
12.7	138	Mechanical Input HP	2.91	23S12L	L	2330MTR56	2330MTR14	2330MTR18	
		Thermal Input HP	3.78	23S12R	R				
		Output Torque (lb. in.)	1170	23S12LR	LR				
		Mechanical Output HP	2.56	23S12H	HOLLOW				
		Output OHL (lbs.)	1610	23S12HA	HOLLOW ALT.				
15	117	Mechanical Input HP	2.57	23S15L	L	2330MTR56	2330MTR14	-	
		Thermal Input HP	3.30	23S15R	R				
		Output Torque (lb. in.)	1199	23S15LR	LR				
		Mechanical Output HP	2.22	23S15H	HOLLOW				
		Output OHL (lbs.)	1610	23S15HA	HOLLOW ALT.				
20	88	Mechanical Input HP	2.00	23S20L	L	2330MTR56	2330MTR14	-	
		Thermal Input HP	2.62	23S20R	R				
		Output Torque (lb. in.)	1178	23S20LR	LR				
		Mechanical Output HP	1.64	23S20H	HOLLOW				
		Output OHL (lbs.)	1610	23S20HA	HOLLOW ALT.				
25	70	Mechanical Input HP	1.65	23S25L	L	2330MTR56	2330MTR14	-	
		Thermal Input HP	2.16	23S25R	R				
		Output Torque (lb. in.)	1184	23S25LR	LR				
		Mechanical Output HP	1.32	23S25H	HOLLOW				
		Output OHL (lbs.)	1610	23S25HA	HOLLOW ALT.				
30	58	Mechanical Input HP	1.42	23S30L	L	2330MTR56	2330MTR14	-	
		Thermal Input HP	2.06	23S30R	R				
		Output Torque (lb. in.)	1201	23S30LR	LR				
		Mechanical Output HP	1.11	23S30H	HOLLOW				
		Output OHL (lbs.)	1610	23S30HA	HOLLOW ALT.				
40	44	Mechanical Input HP	1.11	23S40L	L	2330MTR56	2330MTR14	-	
		Thermal Input HP	1.73	23S40R	R				
		Output Torque (lb. in.)	1193	23S40LR	LR				
		Mechanical Output HP	0.83	23S40H	HOLLOW				
		Output OHL (lbs.)	1610	23S40HA	HOLLOW ALT.				
50	35	Mechanical Input HP	0.95	23S50L	L	2330MTR56	-	-	
		Thermal Input HP	1.42	23S50R	R				
		Output Torque (lb. in.)	1182	23S50LR	LR				
		Mechanical Output HP	0.66	23S50H	HOLLOW				
		Output OHL (lbs.)	1610	23S50HA	HOLLOW ALT.				
60	29	Mechanical Input HP	0.80	23S60L	L	2330MTR56	-	-	
		Thermal Input HP	1.24	23S60R	R				
		Output Torque (lb. in.)	1111	23S60LR	LR				
		Mechanical Output HP	0.51	23S60H	HOLLOW				
		Output OHL (lbs.)	1610	23S60HA	HOLLOW ALT.				
All Ratios		Input OHL (lbs)	200	One diameter from seal surface					

Note: Tigear-2 separate reducers cannot be used with the old adaptable Tigear motor adapter kits.

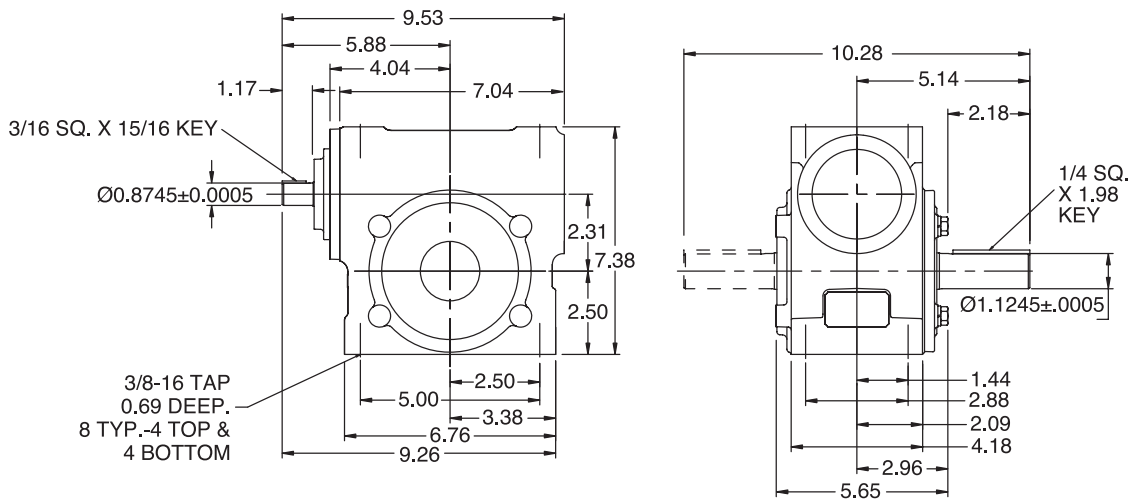
FEATURES/BENEFITS PAGE 2	SPECIFICATION PAGE 8	HOW TO ORDER/NOMENCLATURE PAGE 9	WASHDOWN PRODUCT PAGE 80
-----------------------------	-------------------------	-------------------------------------	-----------------------------



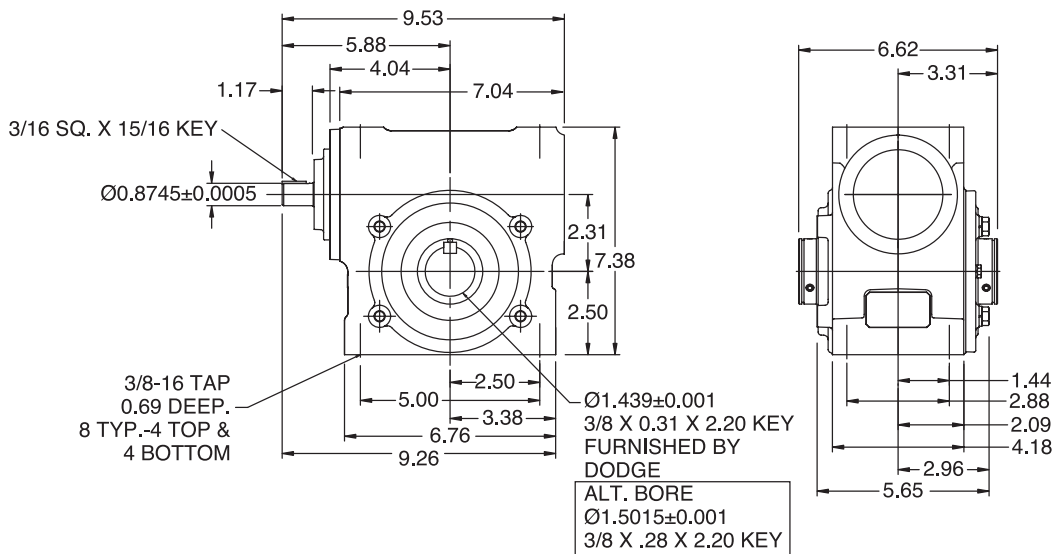
RATINGS/DIMENSIONS

Tigear-2 Reducers With Separate Input - Size 23

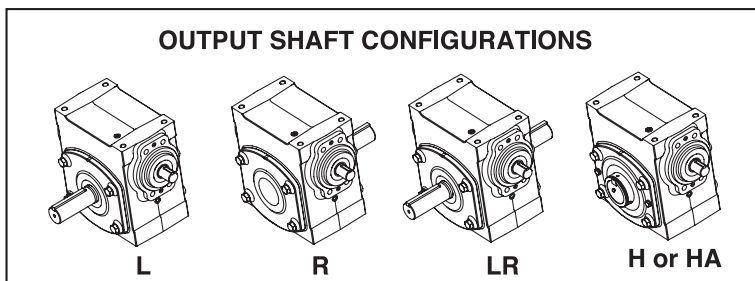
SOLID OUTPUT



HOLLOW OUTPUT



OUTPUT SHAFT CONFIGURATIONS



Features / Benefits

Specification / How to Order / Nomenclature

Selection Procedures / HP & S.F.

Ratings / Dimensions

Washdown E-Z Klean

Washdown Ultra Klean

Ultra Klean Dimensions



RATINGS/DIMENSIONS

Tigear-2 Reducers With 3-Piece Coupled Input - Size 23

3-piece coupled units include a separate reducer, 3-piece coupling and motor adapter housing assembled together. These assemblies are normally "made to order" with a 5 day standard lead time.

Ratio	Output RPM	Rating Data 1750 Input RPM		Part Number			Shaft Position
				56C	140TC	180TC	
4	438	Available Upon Request					
		Mechanical Input HP	5.25	23A05L56	23A05L14	23A05L18	L
5	350	Thermal Input HP	6.61	23A05R56	23A05R14	23A05R18	R
		Output Torque (lb. in.)	881	23A05LR56	23A05LR14	23A05LR18	LR
		Mechanical Output HP	4.89	23A05H56	23A05H14	23A05H18	HOLLOW
		Output OHL (lbs.)	1330	23A05HA56	23A05HA14	23A05HA18	HOLLOW ALT.
		Mechanical Input HP	4.18	23A07L56	23A07L14	23A07L18	L
7.5	233	Thermal Input HP	5.64	23A07R56	23A07R14	23A07R18	R
		Output Torque (lb. in.)	1026	23A07LR56	23A07LR14	23A07LR18	LR
		Mechanical Output HP	3.85	23A07H56	23A07H14	23A07H18	HOLLOW
		Output OHL (lbs.)	1520	23A07HA56	23A07HA14	23A07HA18	HOLLOW ALT.
		Mechanical Input HP	3.42	23A10L56	23A10L14	23A10L18	L
10	175	Thermal Input HP	4.40	23A10R56	23A10R14	23A10R18	R
		Output Torque (lb. in.)	1106	23A10LR56	23A10LR14	23A10LR18	LR
		Mechanical Output HP	3.07	23A10H56	23A10H14	23A10H18	HOLLOW
		Output OHL (lbs.)	1610	23A10HA56	23A10HA14	23A10HA18	HOLLOW ALT.
		Mechanical Input HP	2.91	23A12L56	23A12L14	23A12L18	L
12.7	138	Thermal Input HP	3.78	23A12R56	23A12R14	23A12R18	R
		Output Torque (lb. in.)	1170	23A12LR56	23A12LR14	23A12LR18	LR
		Mechanical Output HP	2.56	23A12H56	23A12H14	23A12H18	HOLLOW
		Output OHL (lbs.)	1610	23A12HA56	23A12HA14	23A12HA18	HOLLOW ALT.
		Mechanical Input HP	2.57	23A15L56	23A15L14	-	L
Thermal Input HP	3.30	23A15R56	23A15R14	R			
Output Torque (lb. in.)	1199	23A15LR56	23A15LR14	LR			
Mechanical Output HP	2.22	23A15H56	23A15H14	HOLLOW			
Output OHL (lbs.)	1610	23A15HA56	23A15HA14	HOLLOW ALT.			
20	88	Mechanical Input HP	2.00	23A20L56	23A20L14	-	L
		Thermal Input HP	2.62	23A20R56	23A20R14		R
		Output Torque (lb. in.)	1178	23A20LR56	23A20LR14		LR
		Mechanical Output HP	1.64	23A20H56	23A20H14		HOLLOW
		Output OHL (lbs.)	1610	23A20HA56	23A20HA14		HOLLOW ALT.
25	70	Mechanical Input HP	1.65	23A25L56	23A25L14	-	L
		Thermal Input HP	2.16	23A25R56	23A25R14		R
		Output Torque (lb. in.)	1184	23A25LR56	23A25LR14		LR
		Mechanical Output HP	1.32	23A25H56	23A25H14		HOLLOW
		Output OHL (lbs.)	1610	23A25HA56	23A25HA14		HOLLOW ALT.
30	58	Mechanical Input HP	1.42	23A30L56	23A30L14	-	L
		Thermal Input HP	2.06	23A30R56	23A30R14		R
		Output Torque (lb. in.)	1201	23A30LR56	23A30LR14		LR
		Mechanical Output HP	1.11	23A30H56	23A30H14		HOLLOW
		Output OHL (lbs.)	1610	23A30HA56	23A30HA14		HOLLOW ALT.
40	44	Mechanical Input HP	1.11	23A40L56	23A40L14	-	L
		Thermal Input HP	1.73	23A40R56	23A40R14		R
		Output Torque (lb. in.)	1193	23A40LR56	23A40LR14		LR
		Mechanical Output HP	0.83	23A40H56	23A40H14		HOLLOW
		Output OHL (lbs.)	1610	23A40HA56	23A40HA14		HOLLOW ALT.
50	35	Mechanical Input HP	0.95	23A50L56	-	-	L
		Thermal Input HP	1.42	23A50R56			R
		Output Torque (lb. in.)	1182	23A50LR56			LR
		Mechanical Output HP	0.66	23A50H56			HOLLOW
		Output OHL (lbs.)	1610	23A50HA56			HOLLOW ALT.
60	29	Mechanical Input HP	0.80	23A60L56	-	-	L
		Thermal Input HP	1.24	23A60R56			R
		Output Torque (lb. in.)	1111	23A60LR56			LR
		Mechanical Output HP	0.51	23A60H56			HOLLOW
		Output OHL (lbs.)	1610	23A60HA56			HOLLOW ALT.

Note: Reducers are shipped without a mounting base. Order bolt-on base kit 23BASE if required.

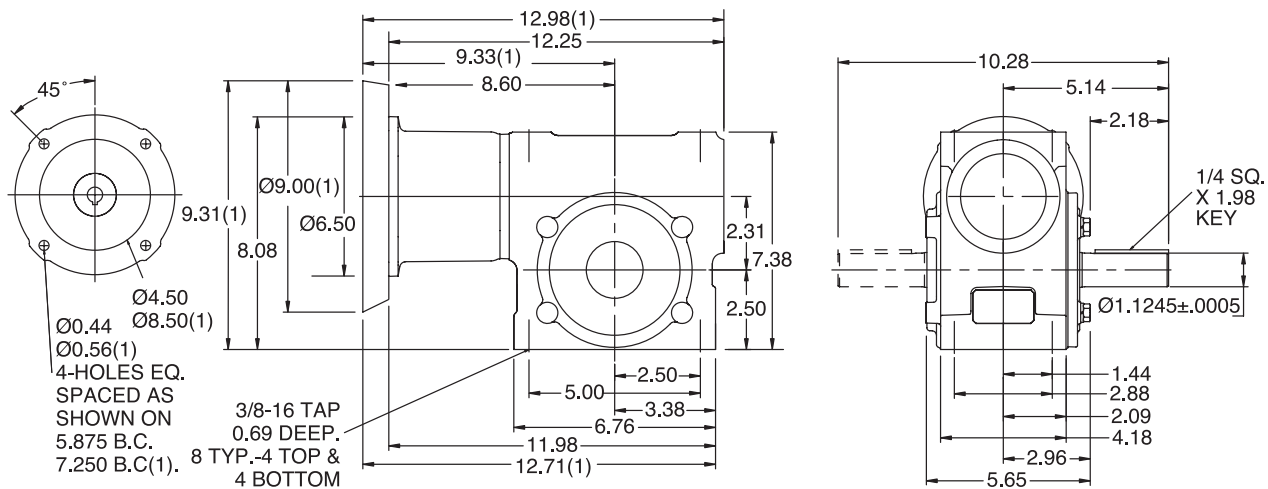
FEATURES/BENEFITS PAGE 2	SPECIFICATION PAGE 8	HOW TO ORDER/NOMENCLATURE PAGE 9	WASHDOWN PRODUCT PAGE 80
-----------------------------	-------------------------	-------------------------------------	-----------------------------



RATINGS/DIMENSIONS

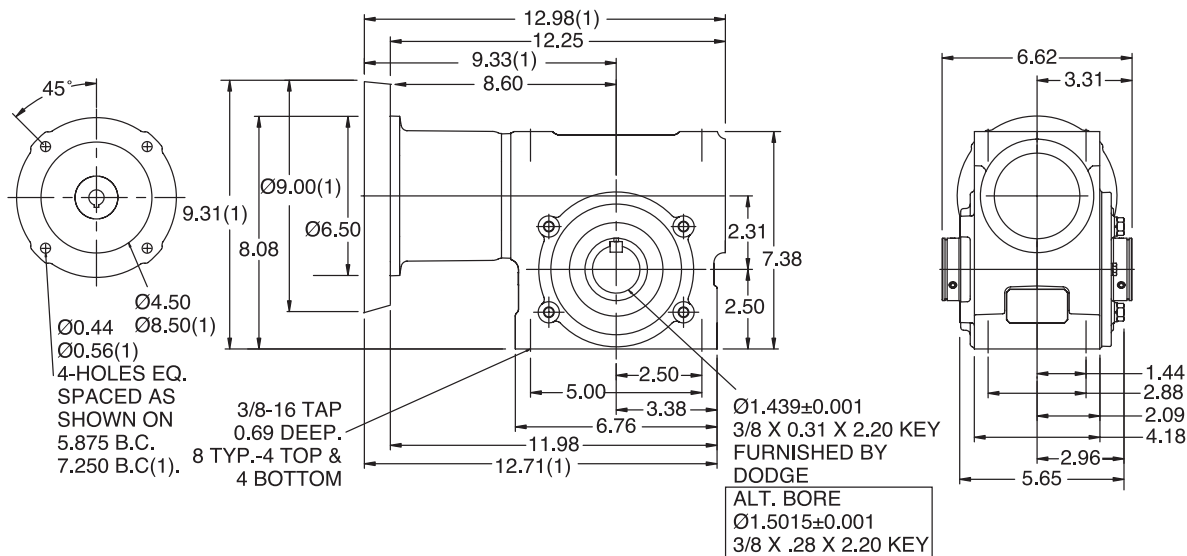
Tigear-2 Reducers With 3-Piece Coupled Input - Size 23

SOLID OUTPUT

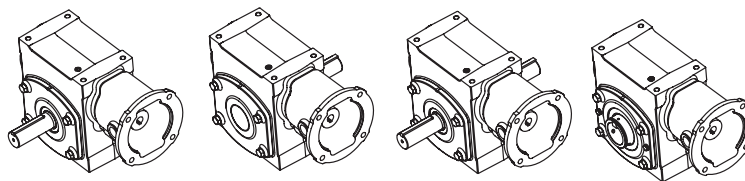


(1) DIMENSIONS APPLY TO 180 FRAME MOTOR ADAPTER

HOLLOW OUTPUT



OUTPUT SHAFT CONFIGURATIONS



L

R

LR

H or HA



RATINGS/DIMENSIONS

Tigear-2 Reducers With Quill Input - Size 26

Ratio	Output RPM	Rating Data		56C	Part Number			Shaft Position
		1750 Input RPM			140TC	180TC		
5	350	Mechanical Input HP	7.37	-	26Q05L14	26Q05L18	L	
		Thermal Input HP	8.79		26Q05R14	26Q05R18	R	
		Output Torque (lb. in.)	1247		26Q05LR14	26Q05LR18	LR	
		Mechanical Output HP	6.93		26Q05H14	26Q05H18	HOLLOW	
		Output OHL (lbs.)	1330		26Q05HA14	26Q05HA18	HOLLOW ALT.	
6.5	269	Available Upon Request	-	-	-	-	-	
7.5	233	Mechanical Input HP	5.92	26Q07L56	26Q07L14	26Q07L18	L	
		Thermal Input HP	6.89	26Q07R56	26Q07R14	26Q07R18	R	
		Output Torque (lb. in.)	1458	26Q07LR56	26Q07LR14	26Q07LR18	LR	
		Mechanical Output HP	5.47	26Q07H56	26Q07H14	26Q07H18	HOLLOW	
		Output OHL (lbs.)	1520	26Q07HA56	26Q07HA14	26Q07HA18	HOLLOW ALT.	
10	175	Mechanical Input HP	4.83	26Q10L56	26Q10L14	26Q10L18	L	
		Thermal Input HP	5.61	26Q10R56	26Q10R14	26Q10R18	R	
		Output Torque (lb. in.)	1576	26Q10LR56	26Q10LR14	26Q10LR18	LR	
		Mechanical Output HP	4.37	26Q10H56	26Q10H14	26Q10H18	HOLLOW	
		Output OHL (lbs.)	1610	26Q10HA56	26Q10HA14	26Q10HA18	HOLLOW ALT.	
12.7	138	Mechanical Input HP	4.08	26Q12L56	26Q12L14	26Q12L18	L	
		Thermal Input HP	4.72	26Q12R56	26Q12R14	26Q12R18	R	
		Output Torque (lb. in.)	1654	26Q12LR56	26Q12LR14	26Q12LR18	LR	
		Mechanical Output HP	3.63	26Q12H56	26Q12H14	26Q12H18	HOLLOW	
		Output OHL (lbs.)	1610	26Q12HA56	26Q12HA14	26Q12HA18	HOLLOW ALT.	
15	117	Mechanical Input HP	3.62	26Q15L56	26Q15L14	26Q15L18	L	
		Thermal Input HP	4.15	26Q15R56	26Q15R14	26Q15R18	R	
		Output Torque (lb. in.)	1708	26Q15LR56	26Q15LR14	26Q15LR18	LR	
		Mechanical Output HP	3.16	26Q15H56	26Q15H14	26Q15H18	HOLLOW	
		Output OHL (lbs.)	1610	26Q15HA56	26Q15HA14	26Q15HA18	HOLLOW ALT.	
18	97	Mechanical Input HP	3.05	26Q18L56	26Q18L14	26Q18L18	L	
		Thermal Input HP	3.73	26Q18R56	26Q18R14	26Q18R18	R	
		Output Torque (lb. in.)	1708	26Q18LR56	26Q18LR14	26Q18LR18	LR	
		Mechanical Output HP	2.63	26Q18H56	26Q18H14	26Q18H18	HOLLOW	
		Output OHL (lbs.)	1610	26Q18HA56	26Q18HA14	26Q18HA18	HOLLOW ALT.	
20	88	Mechanical Input HP	2.71	26Q20L56	26Q20L14	-	L	
		Thermal Input HP	3.71	26Q20R56	26Q20R14		R	
		Output Torque (lb. in.)	1673	26Q20LR56	26Q20LR14		LR	
		Mechanical Output HP	2.32	26Q20H56	26Q20H14		HOLLOW	
		Output OHL (lbs.)	1610	26Q20HA56	26Q20HA14		HOLLOW ALT.	
25	70	Mechanical Input HP	2.26	26Q25L56	26Q25L14	-	L	
		Thermal Input HP	3.00	26Q25R56	26Q25R14		R	
		Output Torque (lb. in.)	1677	26Q25LR56	26Q25LR14		LR	
		Mechanical Output HP	1.86	26Q25H56	26Q25H14		HOLLOW	
		Output OHL (lbs.)	1610	26Q25HA56	26Q25HA14		HOLLOW ALT.	
30	58	Mechanical Input HP	2.00	26Q30L56	26Q30L14	-	L	
		Thermal Input HP	2.79	26Q30R56	26Q30R14		R	
		Output Torque (lb. in.)	1705	26Q30LR56	26Q30LR14		LR	
		Mechanical Output HP	1.58	26Q30H56	26Q30H14		HOLLOW	
		Output OHL (lbs.)	1610	26Q30HA56	26Q30HA14		HOLLOW ALT.	
40	44	Mechanical Input HP	1.55	26Q40L56	26Q40L14	-	L	
		Thermal Input HP	2.14	26Q40R56	26Q40R14		R	
		Output Torque (lb. in.)	1685	26Q40LR56	26Q40LR14		LR	
		Mechanical Output HP	1.17	26Q40H56	26Q40H14		HOLLOW	
		Output OHL (lbs.)	1610	26Q40HA56	26Q40HA14		HOLLOW ALT.	
50	35	Mechanical Input HP	1.32	26Q50L56	26Q50L14	-	L	
		Thermal Input HP	1.76	26Q50R56	26Q50R14		R	
		Output Torque (lb. in.)	1662	26Q50LR56	26Q50LR14		LR	
		Mechanical Output HP	0.92	26Q50H56	26Q50H14		HOLLOW	
		Output OHL (lbs.)	1610	26Q50HA56	26Q50HA14		HOLLOW ALT.	
60	29	Mechanical Input HP	1.08	26Q60L56	26Q60L14	-	L	
		Thermal Input HP	1.57	26Q60R56	26Q60R14		R	
		Output Torque (lb. in.)	1547	26Q60LR56	26Q60LR14		LR	
		Mechanical Output HP	0.72	26Q60H56	26Q60H14		HOLLOW	
		Output OHL (lbs.)	1610	26Q60HA56	26Q60HA14		HOLLOW ALT.	
80	22	Available Upon Request	-	-	-	-	-	

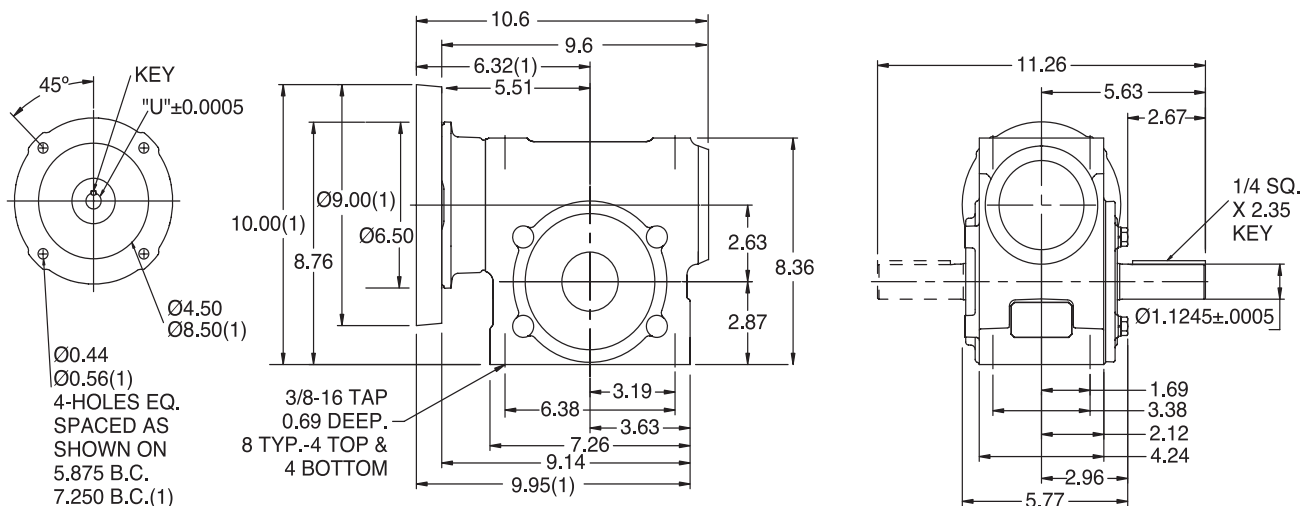
Note: Reducers are shipped without a mounting base. Order bolt-on base kit **26BASE** if required.



RATINGS/DIMENSIONS

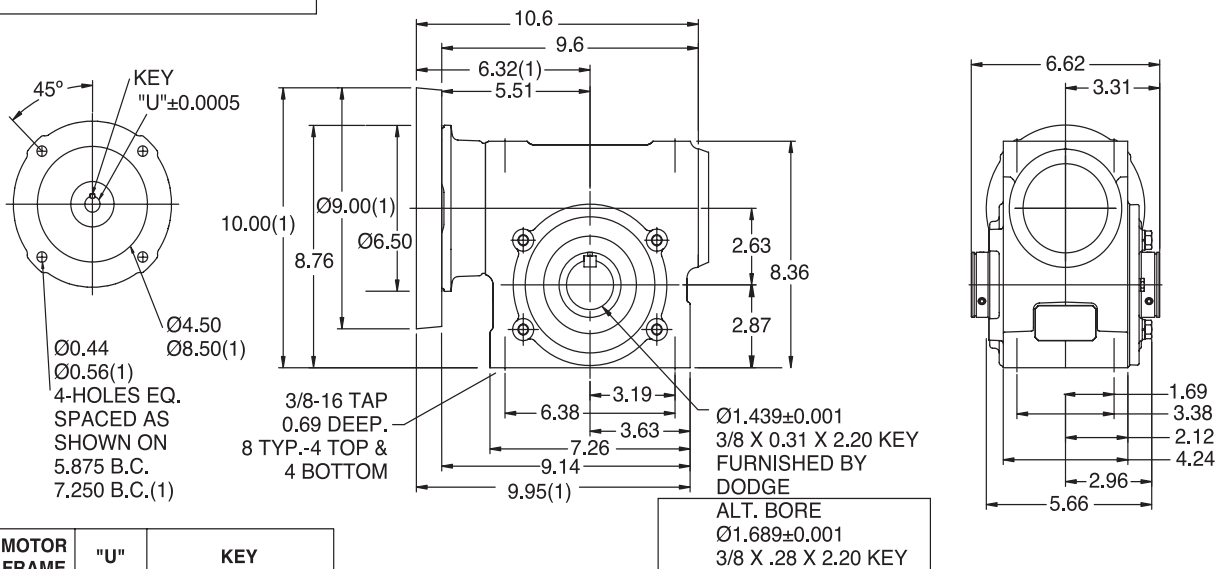
Tigear-2 Reducers With Quill Input - Size 26

SOLID OUTPUT

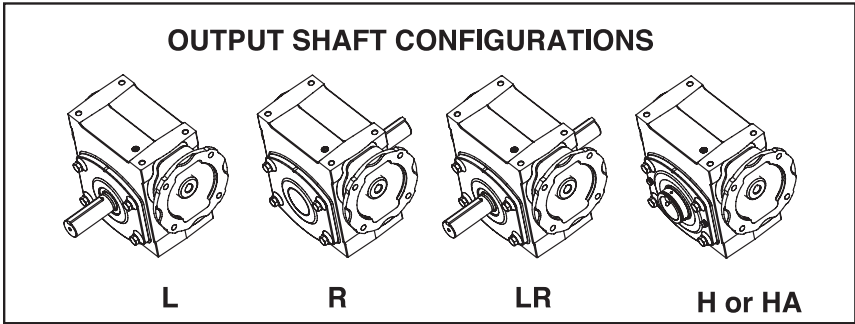


(1) DIMENSIONS APPLY TO 180 FRAME MOTOR ADAPTER

HOLLOW OUTPUT



MOTOR FRAME	"U"	KEY
48Y 56C	.626	3/16 SQ. x 1.50 KEY
140TC 160ATC	.876	3/16 SQ x 1.50 KEY
180TC 180ATC	1.126	1/4 SQ x 2.00 KEY





RATINGS/DIMENSIONS

Tigear-2 Reducers With Separate Input - Size 26

Ratio	Output RPM	Rating Data 1750 Input RPM		Separate Reducer	Shaft Position	Optional Motor Adapter Kit		
						56C	140TC	180TC
5	350	Mechanical Input HP	7.37	26S05L	L	-	2330MTR14	2330MTR18
		Thermal Input HP	8.79	26S05R	R			
		Output Torque (lb. in.)	1247	26S05LR	LR			
		Mechanical Output HP	6.93	26S05H	HOLLOW			
		Output OHL (lbs.)	1330	26S05HA	HOLLOW ALT.			
6.5	269	Available Upon Request		-	-	-	-	-
7.5	233	Mechanical Input HP	5.92	26S07L	L	2330MTR56	2330MTR14	2330MTR18
		Thermal Input HP	6.89	26S07R	R			
		Output Torque (lb. in.)	1458	26S07LR	LR			
		Mechanical Output HP	5.47	26S07H	HOLLOW			
		Output OHL (lbs.)	1520	26S07HA	HOLLOW ALT.			
10	175	Mechanical Input HP	4.83	26S10L	L	2330MTR56	2330MTR14	2330MTR18
		Thermal Input HP	5.61	26S10R	R			
		Output Torque (lb. in.)	1576	26S10LR	LR			
		Mechanical Output HP	4.37	26S10H	HOLLOW			
		Output OHL (lbs.)	1610	26S10HA	HOLLOW ALT.			
12.7	138	Mechanical Input HP	4.08	26S12L	L	2330MTR56	2330MTR14	2330MTR18
		Thermal Input HP	4.72	26S12R	R			
		Output Torque (lb. in.)	1654	26S12LR	LR			
		Mechanical Output HP	3.63	26S12H	HOLLOW			
		Output OHL (lbs.)	1610	26S12HA	HOLLOW ALT.			
15	117	Mechanical Input HP	3.62	26S15L	L	2330MTR56	2330MTR14	2330MTR18
		Thermal Input HP	4.15	26S15R	R			
		Output Torque (lb. in.)	1708	26S15LR	LR			
		Mechanical Output HP	3.16	26S15H	HOLLOW			
		Output OHL (lbs.)	1610	26S15HA	HOLLOW ALT.			
18	97	Mechanical Input HP	3.05	26S18L	L	2330MTR56	2330MTR14	-
		Thermal Input HP	3.73	26S18R	R			
		Output Torque (lb. in.)	1708	26S18LR	LR			
		Mechanical Output HP	2.63	26S18H	HOLLOW			
		Output OHL (lbs.)	1610	26S18HA	HOLLOW ALT.			
20	88	Mechanical Input HP	2.71	26S20L	L	2330MTR56	2330MTR14	-
		Thermal Input HP	3.71	26S20R	R			
		Output Torque (lb. in.)	1673	26S20LR	LR			
		Mechanical Output HP	2.32	26S20H	HOLLOW			
		Output OHL (lbs.)	1610	26S20HA	HOLLOW ALT.			
25	70	Mechanical Input HP	2.26	26S25L	L	2330MTR56	2330MTR14	-
		Thermal Input HP	3.00	26S25R	R			
		Output Torque (lb. in.)	1677	26S25LR	LR			
		Mechanical Output HP	1.86	26S25H	HOLLOW			
		Output OHL (lbs.)	1610	26S25HA	HOLLOW ALT.			
30	58	Mechanical Input HP	2.00	26S30L	L	2330MTR56	2330MTR14	-
		Thermal Input HP	2.79	26S30R	R			
		Output Torque (lb. in.)	1705	26S30LR	LR			
		Mechanical Output HP	1.58	26S30H	HOLLOW			
		Output OHL (lbs.)	1610	26S30HA	HOLLOW ALT.			
40	44	Mechanical Input HP	1.55	26S40L	L	2330MTR56	2330MTR14	-
		Thermal Input HP	2.14	26S40R	R			
		Output Torque (lb. in.)	1685	26S40LR	LR			
		Mechanical Output HP	1.17	26S40H	HOLLOW			
		Output OHL (lbs.)	1610	26S40HA	HOLLOW ALT.			
50	35	Mechanical Input HP	1.32	26S50L	L	2330MTR56	2330MTR14	-
		Thermal Input HP	1.76	26S50R	R			
		Output Torque (lb. in.)	1662	26S50LR	LR			
		Mechanical Output HP	0.92	26S50H	HOLLOW			
		Output OHL (lbs.)	1610	26S50HA	HOLLOW ALT.			
60	29	Mechanical Input HP	1.08	26S60L	L	2330MTR56	2330MTR14	-
		Thermal Input HP	1.57	26S60R	R			
		Output Torque (lb. in.)	1547	26S60LR	LR			
		Mechanical Output HP	0.72	26S60H	HOLLOW			
		Output OHL (lbs.)	1610	26S60HA	HOLLOW ALT.			
80	22	Available Upon Request		-	-	-	-	-
All Ratios		Input OHL (lbs)		250	One diameter from seal surface			

Note: Tigear-2 separate reducers cannot be used with the old adaptable Tigear motor adapter kits.

Features / Benefits

Specification / How to Order / Nomenclature

Selection Procedures / HP & S.F.

Ratings / Dimensions

Washdown E-Z Kleen

Washdown Ultra Kleen

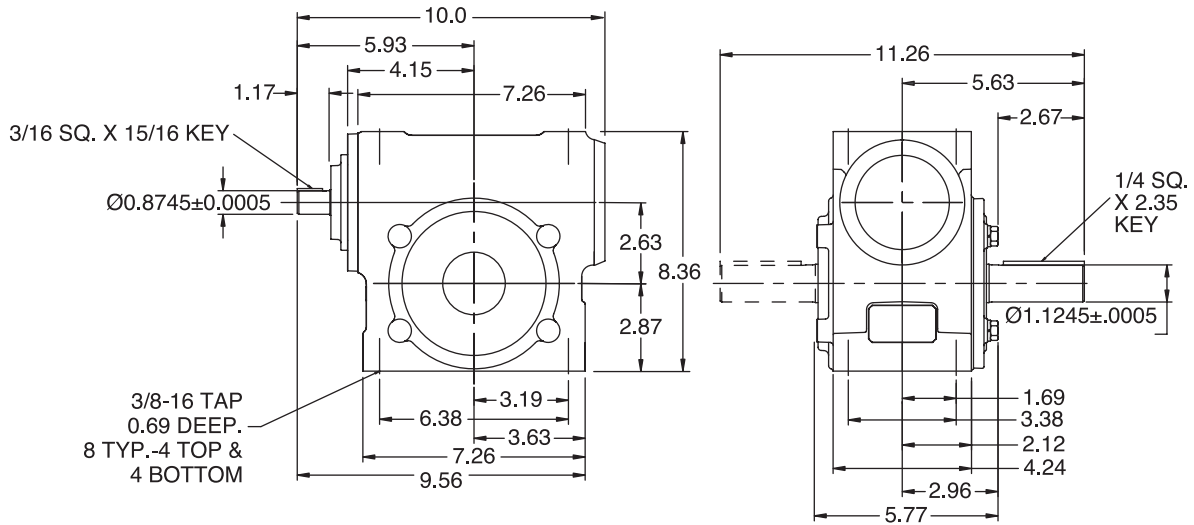
Ultra Kleen Dimensions



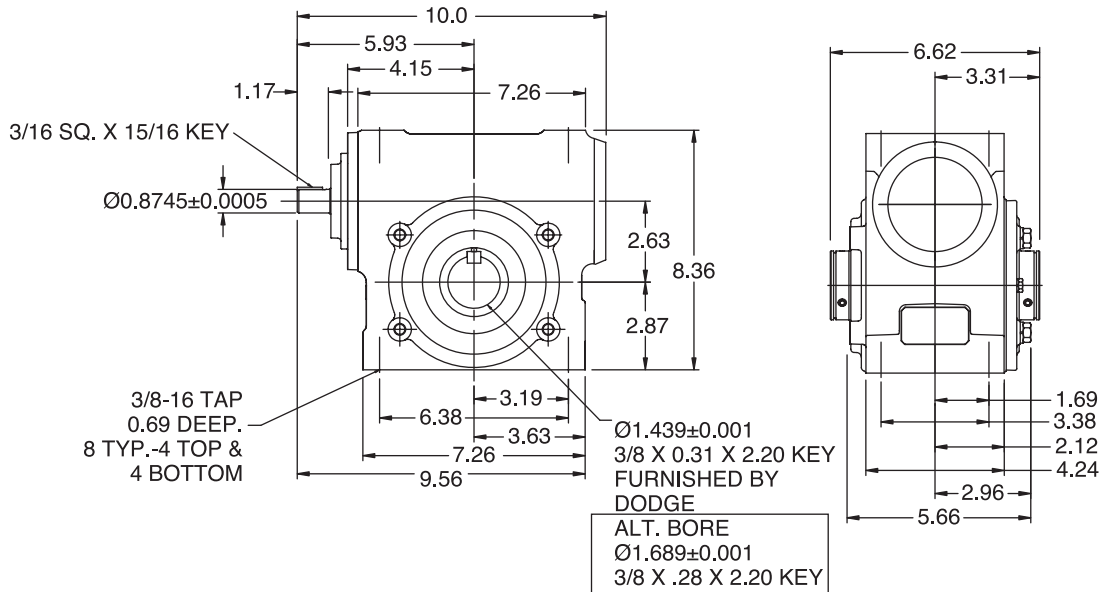
RATINGS/DIMENSIONS

Tigear-2 Reducers With Separate Input - Size 26

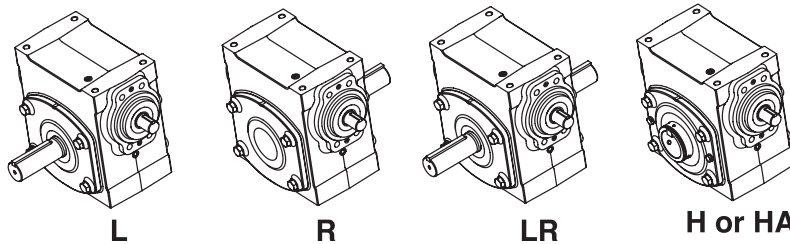
SOLID OUTPUT



HOLLOW OUTPUT



OUTPUT SHAFT CONFIGURATIONS





RATINGS/DIMENSIONS

Tigear-2 Reducers With 3-Piece Coupled Input - Size 26

3-piece coupled units include a separate reducer, 3-piece coupling and motor adapter housing assembled together. These assemblies are normally "made to order" with a 5 day standard lead time.

Ratio	Output RPM	Rating Data 1750 Input RPM		Part Number			Shaft Position
				56C	140TC	180TC	
5	350	Mechanical Input HP	7.37	-	26A05L14	26A05L18	L
		Thermal Input HP	8.79		26A05R14	26A05R18	R
		Output Torque (lb. in.)	1247		26A05LR14	26A05LR18	LR
		Mechanical Output HP	6.93		26A05H14	26A05H18	HOLLOW
		Output OHL (lbs.)	1330		26A05HA14	26A05HA18	HOLLOW ALT.
6.5	269	Available Upon Request	-	-	-	-	-
7.5	233	Mechanical Input HP	5.92	26A07L56	26A07L14	26A07L18	L
		Thermal Input HP	6.89	26A07R56	26A07R14	26A07R18	R
		Output Torque (lb. in.)	1458	26A07LR56	26A07LR14	26A07LR18	LR
		Mechanical Output HP	5.47	26A07H56	26A07H14	26A07H18	HOLLOW
		Output OHL (lbs.)	1520	26A07HA56	26A07HA14	26A07HA18	HOLLOW ALT.
10	175	Mechanical Input HP	4.83	26A10L56	26A10L14	26A10L18	L
		Thermal Input HP	5.61	26A10R56	26A10R14	26A10R18	R
		Output Torque (lb. in.)	1576	26A10LR56	26A10LR14	26A10LR18	LR
		Mechanical Output HP	4.37	26A10H56	26A10H14	26A10H18	HOLLOW
		Output OHL (lbs.)	1610	26A10HA56	26A10HA14	26A10HA18	HOLLOW ALT.
12.7	138	Mechanical Input HP	4.08	26A12L56	26A12L14	26A12L18	L
		Thermal Input HP	4.72	26A12R56	26A12R14	26A12R18	R
		Output Torque (lb. in.)	1654	26A12LR56	26A12LR14	26A12LR18	LR
		Mechanical Output HP	3.63	26A12H56	26A12H14	26A12H18	HOLLOW
		Output OHL (lbs.)	1610	26A12HA56	26A12HA14	26A12HA18	HOLLOW ALT.
15	117	Mechanical Input HP	3.62	26A15L56	26A15L14	26A15L18	L
		Thermal Input HP	4.15	26A15R56	26A15R14	26A15R18	R
		Output Torque (lb. in.)	1708	26A15LR56	26A15LR14	26A15LR18	LR
		Mechanical Output HP	3.16	26A15H56	26A15H14	26A15H18	HOLLOW
		Output OHL (lbs.)	1610	26A15HA56	26A15HA14	26A15HA18	HOLLOW ALT.
18	97	Mechanical Input HP	3.05	26A18L56	26A18L14	26A18L18	L
		Thermal Input HP	3.73	26A18R56	26A18R14	26A18R18	R
		Output Torque (lb. in.)	1708	26A18LR56	26A18LR14	26A18LR18	LR
		Mechanical Output HP	2.63	26A18H56	26A18H14	26A18H18	HOLLOW
		Output OHL (lbs.)	1610	26A18HA56	26A18HA14	26A18HA18	HOLLOW ALT.
20	88	Mechanical Input HP	2.71	26A20L56	26A20L14	-	L
		Thermal Input HP	3.71	26A20R56	26A20R14		R
		Output Torque (lb. in.)	1673	26A20LR56	26A20LR14		LR
		Mechanical Output HP	2.32	26A20H56	26A20H14		HOLLOW
		Output OHL (lbs.)	1610	26A20HA56	26A20HA14		HOLLOW ALT.
25	70	Mechanical Input HP	2.26	26A25L56	26A25L14	-	L
		Thermal Input HP	3.00	26A25R56	26A25R14		R
		Output Torque (lb. in.)	1677	26A25LR56	26A25LR14		LR
		Mechanical Output HP	1.86	26A25H56	26A25H14		HOLLOW
		Output OHL (lbs.)	1610	26A25HA56	26A25HA14		HOLLOW ALT.
30	58	Mechanical Input HP	2.00	26A30L56	26A30L14	-	L
		Thermal Input HP	2.79	26A30R56	26A30R14		R
		Output Torque (lb. in.)	1705	26A30LR56	26A30LR14		LR
		Mechanical Output HP	1.58	26A30H56	26A30H14		HOLLOW
		Output OHL (lbs.)	1610	26A30HA56	26A30HA14		HOLLOW ALT.
40	44	Mechanical Input HP	1.55	26A40L56	26A40L14	-	L
		Thermal Input HP	2.14	26A40R56	26A40R14		R
		Output Torque (lb. in.)	1685	26A40LR56	26A40LR14		LR
		Mechanical Output HP	1.17	26A40H56	26A40H14		HOLLOW
		Output OHL (lbs.)	1610	26A40HA56	26A40HA14		HOLLOW ALT.
50	35	Mechanical Input HP	1.32	26A50L56	26A50L14	-	L
		Thermal Input HP	1.76	26A50R56	26A50R14		R
		Output Torque (lb. in.)	1662	26A50LR56	26A50LR14		LR
		Mechanical Output HP	0.92	26A50H56	26A50H14		HOLLOW
		Output OHL (lbs.)	1610	26A50HA56	26A50HA14		HOLLOW ALT.
60	29	Mechanical Input HP	1.08	26A60L56	26A60L14	-	L
		Thermal Input HP	1.57	26A60R56	26A60R14		R
		Output Torque (lb. in.)	1547	26A60LR56	26A60LR14		LR
		Mechanical Output HP	0.72	26A60H56	26A60H14		HOLLOW
		Output OHL (lbs.)	1610	26A60HA56	26A60HA14		HOLLOW ALT.
80	22	Available Upon Request	-	-	-	-	-

Note: Reducers are shipped without a mounting base. Order bolt-on base kit 26BASE if required.

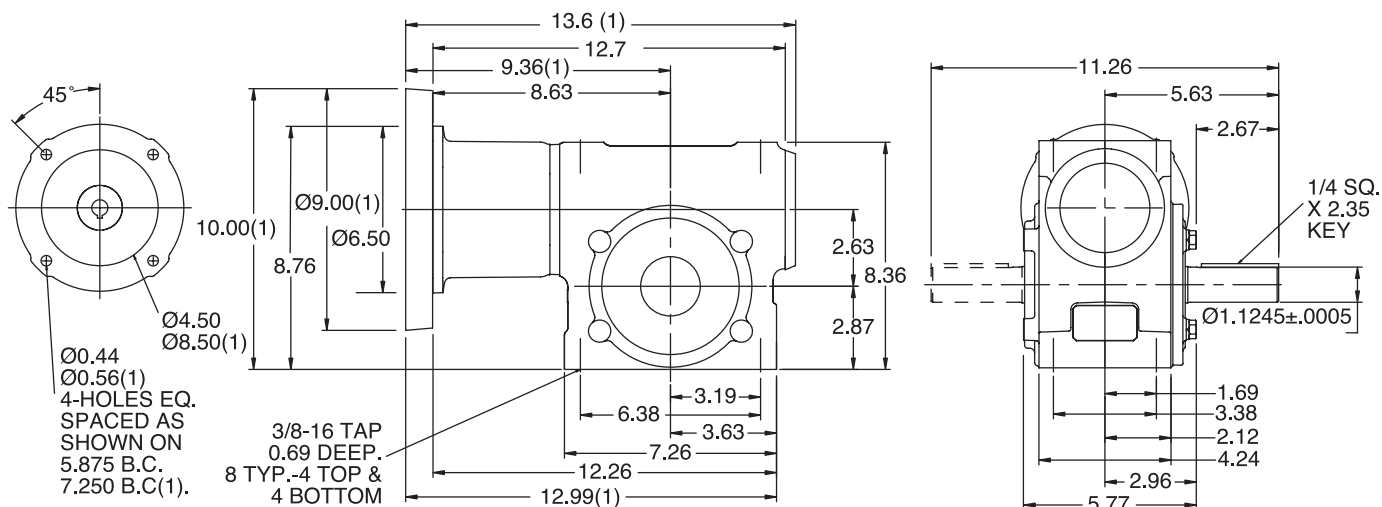
FEATURES/BENEFITS PAGE 2	SPECIFICATION PAGE 8	HOW TO ORDER/NOMENCLATURE PAGE 9	WASHDOWN PRODUCT PAGE 80
-----------------------------	-------------------------	-------------------------------------	-----------------------------



RATINGS/DIMENSIONS

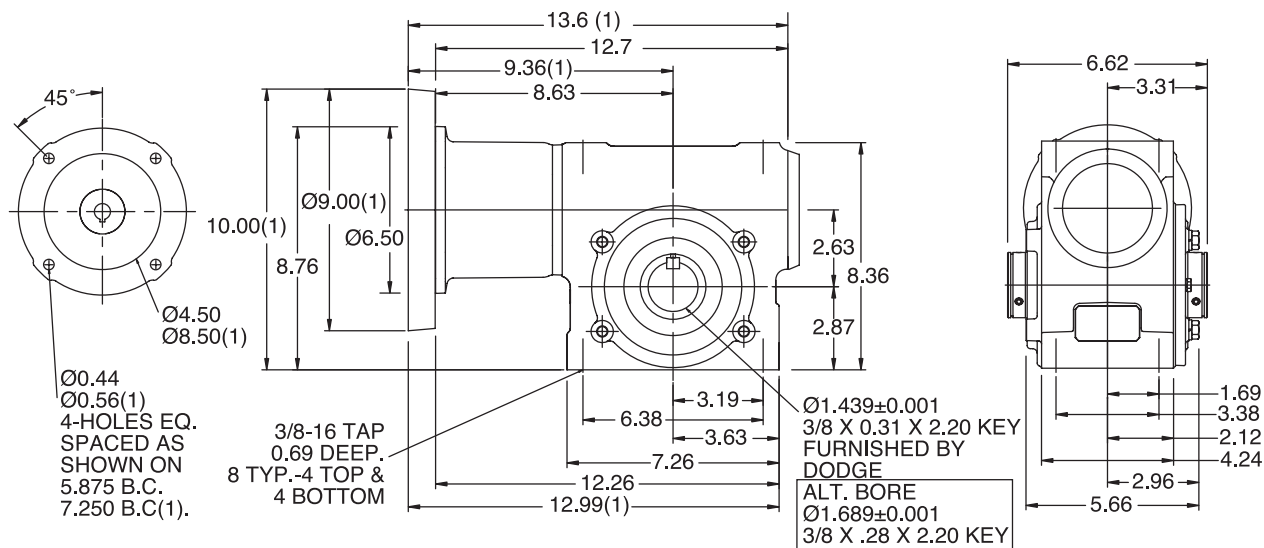
Tigear-2 Reducers With 3-Piece Coupled Input - Size 26

SOLID OUTPUT

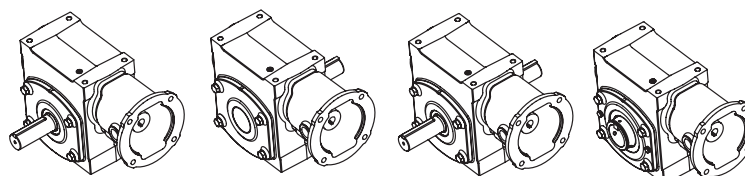


(1) DIMENSIONS APPLY TO 180 FRAME MOTOR ADAPTER

HOLLOW OUTPUT



OUTPUT SHAFT CONFIGURATIONS



L

R

LR

H or HA



RATINGS/DIMENSIONS

Tigear-2 Reducers With Quill Input - Size 30

Ratio	Output RPM	Rating Data 1750 Input RPM		Part Number			Shaft Position
				56C	140TC	180TC	
5	350	Mechanical Input HP	10.84	-	30Q05L14	30Q05L18	L
		Thermal Input HP	12.53		30Q05R14	30Q05R18	R
		Output Torque (lb. in.)	1849		30Q05LR14	30Q05LR18	LR
		Mechanical Output HP	10.27		30Q05H14	30Q05H18	HOLLOW
		Output OHL (lbs.)	1330		-	-	-
6.5	269	Available Upon Request	-	-	-	-	-
7.5	233	Mechanical Input HP	8.74	-	30Q07L14	30Q07L18	L
		Thermal Input HP	9.64		30Q07R14	30Q07R18	R
		Output Torque (lb. in.)	2171		30Q07LR14	30Q07LR18	LR
		Mechanical Output HP	8.15		30Q07H14	30Q07H18	HOLLOW
		Output OHL (lbs.)	1540		-	-	-
10	175	Mechanical Input HP	7.11	-	30Q10L14	30Q10L18	L
		Thermal Input HP	7.85		30Q10R14	30Q10R18	R
		Output Torque (lb. in.)	2347		30Q10LR14	30Q10LR18	LR
		Mechanical Output HP	6.52		30Q10H14	30Q10H18	HOLLOW
		Output OHL (lbs.)	1720		-	-	-
15	117	Mechanical Input HP	5.00	-	30Q15L14	30Q15L18	L
		Thermal Input HP	5.72		30Q15R14	30Q15R18	R
		Output Torque (lb. in.)	2371		30Q15LR14	30Q15LR18	LR
		Mechanical Output HP	4.39		30Q15H14	30Q15H18	HOLLOW
		Output OHL (lbs.)	2300		-	-	-
20	88	Mechanical Input HP	3.81	30Q20L56	30Q20L14	30Q20L18	L
		Thermal Input HP	4.52	30Q20R56	30Q20R14	30Q20R18	R
		Output Torque (lb. in.)	2345	30Q20LR56	30Q20LR14	30Q20LR18	LR
		Mechanical Output HP	3.26	30Q20H56	30Q20H14	30Q20H18	HOLLOW
		Output OHL (lbs.)	2300	-	-	-	
25	70	Mechanical Input HP	3.05	30Q25L56	30Q25L14	30Q25L18	L
		Thermal Input HP	3.90	30Q25R56	30Q25R14	30Q25R18	R
		Output Torque (lb. in.)	2284	30Q25LR56	30Q25LR14	30Q25LR18	LR
		Mechanical Output HP	2.54	30Q25H56	30Q25H14	30Q25H18	HOLLOW
		Output OHL (lbs.)	2300	-	-	-	
30	58	Mechanical Input HP	2.75	30Q30L56	30Q30L14	-	L
		Thermal Input HP	3.58	30Q30R56	30Q30R14		R
		Output Torque (lb. in.)	2417	30Q30LR56	30Q30LR14		LR
		Mechanical Output HP	2.24	30Q30H56	30Q30H14		HOLLOW
		Output OHL (lbs.)	2300	-	-		-
40	44	Mechanical Input HP	2.09	30Q40L56	30Q40L14	-	L
		Thermal Input HP	2.87	30Q40R56	30Q40R14		R
		Output Torque (lb. in.)	2324	30Q40LR56	30Q40LR14		LR
		Mechanical Output HP	1.61	30Q40H56	30Q40H14		HOLLOW
		Output OHL (lbs.)	2300	-	-		-
50	35	Mechanical Input HP	1.75	30Q50L56	30Q50L14	-	L
		Thermal Input HP	2.34	30Q50R56	30Q50R14		R
		Output Torque (lb. in.)	2257	30Q50LR56	30Q50LR14		LR
		Mechanical Output HP	1.25	30Q50H56	30Q50H14		HOLLOW
		Output OHL (lbs.)	2300	-	-		-
60	29	Mechanical Input HP	1.50	30Q60L56	30Q60L14	-	L
		Thermal Input HP	2.01	30Q60R56	30Q60R14		R
		Output Torque (lb. in.)	2138	30Q60LR56	30Q60LR14		LR
		Mechanical Output HP	0.99	30Q60H56	30Q60H14		HOLLOW
		Output OHL (lbs.)	2300	-	-		-

Note: Reducers are shipped without a mounting base. Order bolt-on base kit **30BASE** if required.

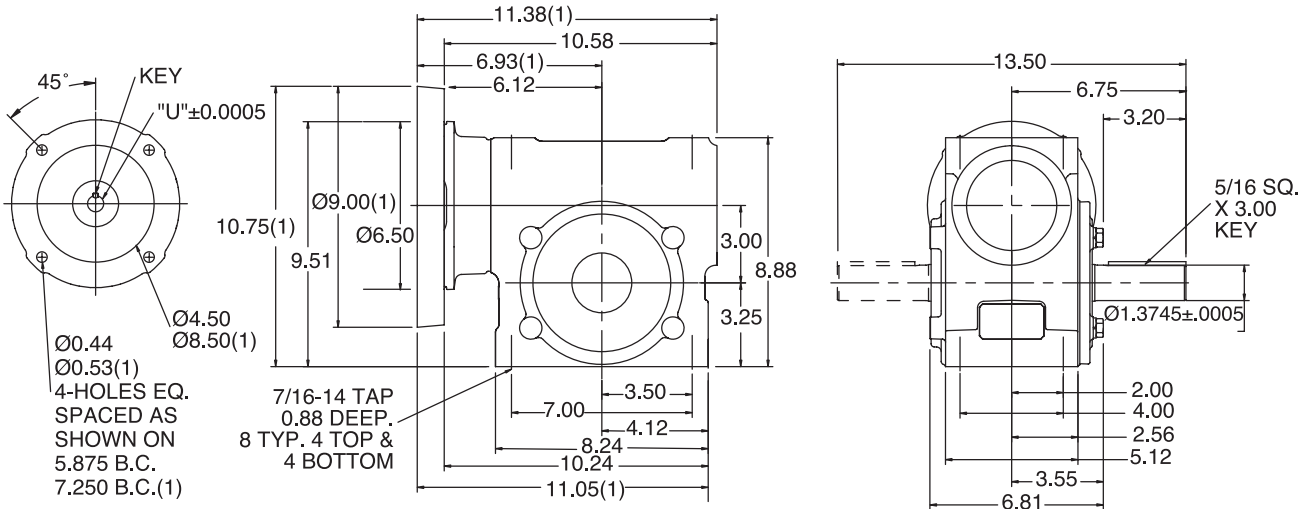
FEATURES/BENEFITS PAGE 2	SPECIFICATION PAGE 8	HOW TO ORDER/NOMENCLATURE PAGE 9	WASHDOWN PRODUCT PAGE 80
-----------------------------	-------------------------	-------------------------------------	-----------------------------



RATINGS/DIMENSIONS

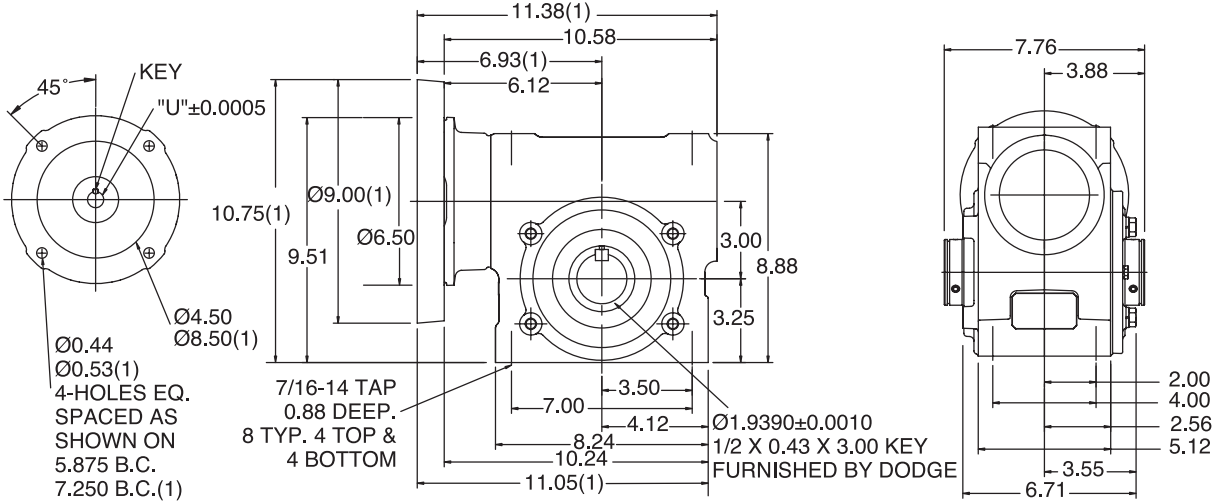
Tigear-2 Reducers With Quill Input - Size 30

SOLID OUTPUT

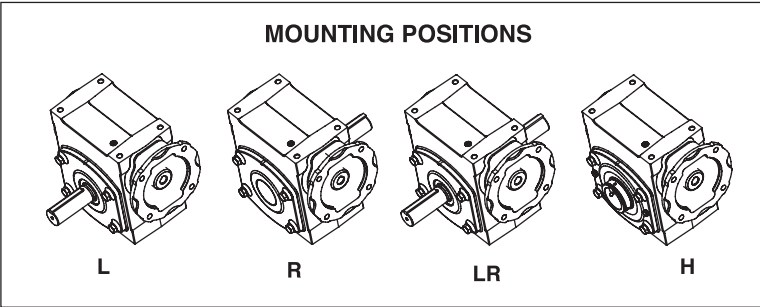


(1) DIMENSIONS APPLY TO 180 FRAME MOTOR ADAPTER

HOLLOW OUTPUT



MOTOR FRAME	"U"	KEY
48Y 56C	.6255	3/16 SQ. x 1.50 KEY
140TC 160ATC	.8755	3/16 SQ. x 1.50 KEY
180TC 180ATC	1.1255	1/4 SQ. x 2.00 KEY





RATINGS/DIMENSIONS

Tigear-2 Reducers With Separate Input - Size 30

Ratio	Output RPM	Rating Data 1750 Input RPM		Separate Reducer	Shaft Position	Optional Motor Adapter Kit			
						56C	140TC	180TC	
5	350	Mechanical Input HP	10.84	30S05L	L	-	2330MTR14	2330MTR18	
		Thermal Input HP	12.53	30S05R	R				
		Output Torque (lb. in.)	1849	30S05LR	LR				
		Mechanical Output HP	10.27	30S05H	HOLLOW				
		Output OHL (lbs.)	1330	-	-				
6.5	269	Available Upon Request	-	-	-	-	-	-	
7.5	233	Mechanical Input HP	8.74	30S07L	L	-	2330MTR14	2330MTR18	
		Thermal Input HP	9.64	30S07R	R				
		Output Torque (lb. in.)	2171	30S07LR	LR				
		Mechanical Output HP	8.15	30S07H	HOLLOW				
		Output OHL (lbs.)	1540	-	-				
10	175	Mechanical Input HP	7.11	30S10L	L	-	2330MTR14	2330MTR18	
		Thermal Input HP	7.85	30S10R	R				
		Output Torque (lb. in.)	2347	30S10LR	LR				
		Mechanical Output HP	6.52	30S10H	HOLLOW				
		Output OHL (lbs.)	1720	-	-				
15	117	Mechanical Input HP	5.00	30S15L	L	-	2330MTR14	2330MTR18	
		Thermal Input HP	5.72	30S15R	R				
		Output Torque (lb. in.)	2371	30S15LR	LR				
		Mechanical Output HP	4.39	30S15H	HOLLOW				
		Output OHL (lbs.)	2300	-	-				
20	88	Mechanical Input HP	3.81	30S20L	L	2330MTR56	2330MTR14	2330MTR18	
		Thermal Input HP	4.52	30S20R	R				
		Output Torque (lb. in.)	2345	30S20LR	LR				
		Mechanical Output HP	3.26	30S20H	HOLLOW				
		Output OHL (lbs.)	2300	-	-				
25	70	Mechanical Input HP	3.05	30S25L	L	2330MTR56	2330MTR14	2330MTR18	
		Thermal Input HP	3.90	30S25R	R				
		Output Torque (lb. in.)	2284	30S25LR	LR				
		Mechanical Output HP	2.54	30S25H	HOLLOW				
		Output OHL (lbs.)	2300	-	-				
30	58	Mechanical Input HP	2.75	30S30L	L	2330MTR56	2330MTR14	-	
		Thermal Input HP	3.58	30S30R	R				
		Output Torque (lb. in.)	2417	30S30LR	LR				
		Mechanical Output HP	2.24	30S30H	HOLLOW				
		Output OHL (lbs.)	2300	-	-				
40	44	Mechanical Input HP	2.09	30S40L	L	2330MTR56	2330MTR14	-	
		Thermal Input HP	2.87	30S40R	R				
		Output Torque (lb. in.)	2324	30S40LR	LR				
		Mechanical Output HP	1.61	30S40H	HOLLOW				
		Output OHL (lbs.)	2300	-	-				
50	35	Mechanical Input HP	1.75	30S50L	L	2330MTR56	2330MTR14	-	
		Thermal Input HP	2.34	30S50R	R				
		Output Torque (lb. in.)	2257	30S50LR	LR				
		Mechanical Output HP	1.25	30S50H	HOLLOW				
		Output OHL (lbs.)	2300	-	-				
60	29	Mechanical Input HP	1.50	30S60L	L	2330MTR56	2330MTR14	-	
		Thermal Input HP	2.01	30S60R	R				
		Output Torque (lb. in.)	2138	30S60LR	LR				
		Mechanical Output HP	0.99	30S60H	HOLLOW				
		Output OHL (lbs.)	2300	-	-				
All Ratios		Input OHL (lbs.)	280	One diameter from seal surface					-

Note: Tigear-2 separate reducers cannot be used with the old adaptable Tigear motor adapter kits.

FEATURES/BENEFITS PAGE 2	SPECIFICATION PAGE 8	HOW TO ORDER/NOMENCLATURE PAGE 9	WASHDOWN PRODUCT PAGE 80
-----------------------------	-------------------------	-------------------------------------	-----------------------------

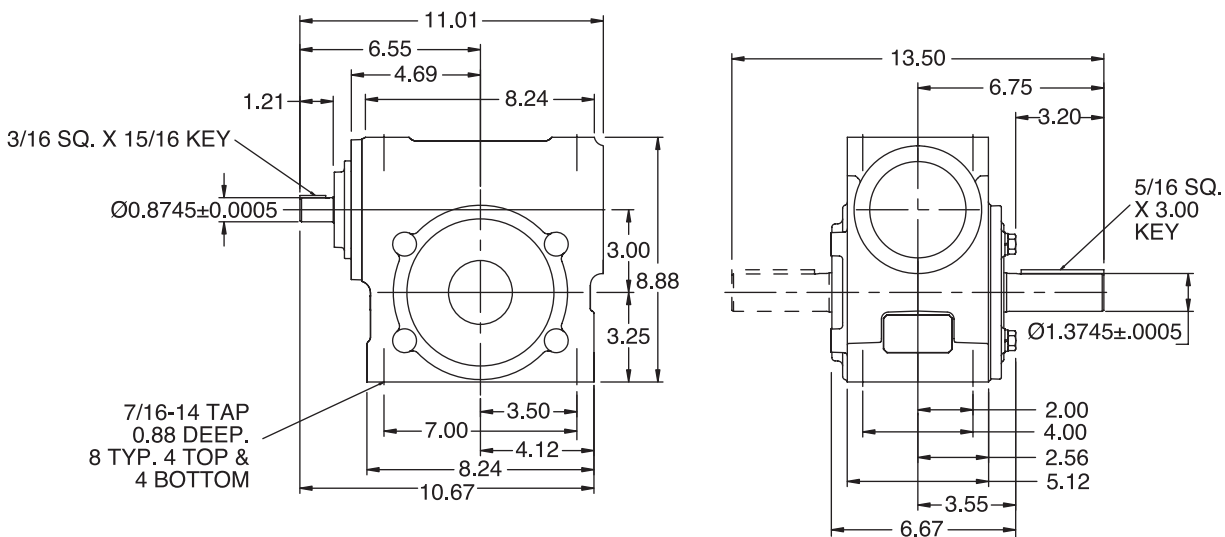
Features / Benefits
 Specification / How to Order / Nomenclature
 Selection Procedures / HP & S.F.
 Ratings / Dimensions
 Washdown E-Z Kleen
 Washdown Ultra Kleen
 Ultra Kleen Dimensions



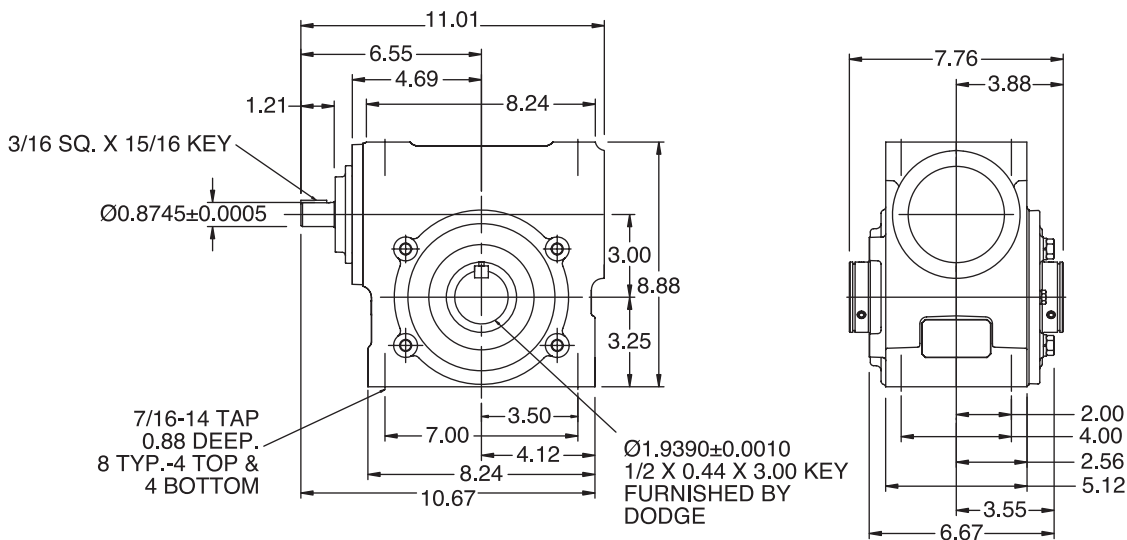
RATINGS/DIMENSIONS

Tigear-2 Reducers With Separate Input - Size 30

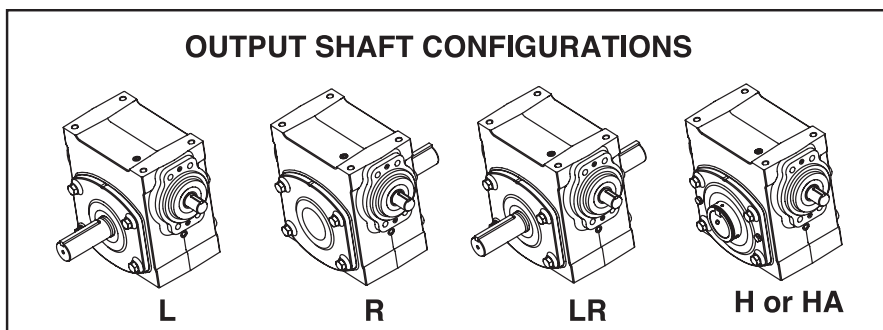
SOLID OUTPUT



HOLLOW OUTPUT



OUTPUT SHAFT CONFIGURATIONS





RATINGS/DIMENSIONS

Tigear-2 Reducers With 3-Piece Coupled Input - Size 30

3-piece coupled units include a separate reducer, 3-piece coupling and motor adapter housing assembled together. These assemblies are normally "made to order" with a 5 day standard lead time.

Ratio	Output RPM	Rating Data		56C	Part Number			Shaft Position
		1750 Input RPM			140TC	180TC		
5	350	Mechanical Input HP	10.84	-	30A05L14	30A05L18	L	
		Thermal Input HP	12.53		30A05R14	30A05R18	R	
		Output Torque (lb. in.)	1849		30A05LR14	30A05LR18	LR	
		Mechanical Output HP	10.27		30A05H14	30A05H18	HOLLOW	
		Output OHL (lbs.)	1330		-	-	-	
6.5	269	Available Upon Request		-	-	-	-	
7.5	233	Mechanical Input HP	8.74	-	30A07L14	30A07L18	L	
		Thermal Input HP	9.64		30A07R14	30A07R18	R	
		Output Torque (lb. in.)	2171		30A07LR14	30A07LR18	LR	
		Mechanical Output HP	8.15		30A07H14	30A07H18	HOLLOW	
		Output OHL (lbs.)	1540		-	-	-	
10	175	Mechanical Input HP	7.11	-	30A10L14	30A10L18	L	
		Thermal Input HP	7.85		30A10R14	30A10R18	R	
		Output Torque (lb. in.)	2347		30A10LR14	30A10LR18	LR	
		Mechanical Output HP	6.52		30A10H14	30A10H18	HOLLOW	
		Output OHL (lbs.)	1720		-	-	-	
15	117	Mechanical Input HP	5.00	-	30A15L14	30A15L18	L	
		Thermal Input HP	5.72		30A15R14	30A15R18	R	
		Output Torque (lb. in.)	2371		30A15LR14	30A15LR18	LR	
		Mechanical Output HP	4.39		30A15H14	30A15H18	HOLLOW	
		Output OHL (lbs.)	2300		-	-	-	
20	88	Mechanical Input HP	3.81	30A20L56	30A20L14	30A20L18	L	
		Thermal Input HP	4.52	30A20R56	30A20R14	30A20R18	R	
		Output Torque (lb. in.)	2345	30A20LR56	30A20LR14	30A20LR18	LR	
		Mechanical Output HP	3.26	30A20H56	30A20H14	30A20H18	HOLLOW	
		Output OHL (lbs.)	2300	-	-	-		
25	70	Mechanical Input HP	3.05	30A25L56	30A25L14	30A25L18	L	
		Thermal Input HP	3.90	30A25R56	30A25R14	30A25R18	R	
		Output Torque (lb. in.)	2284	30A25LR56	30A25LR14	30A25LR18	LR	
		Mechanical Output HP	2.54	30A25H56	30A25H14	30A25H18	HOLLOW	
		Output OHL (lbs.)	2300	-	-	-		
30	58	Mechanical Input HP	2.75	30A30L56	30A30L14	-	L	
		Thermal Input HP	3.58	30A30R56	30A30R14		R	
		Output Torque (lb. in.)	2417	30A30LR56	30A30LR14		LR	
		Mechanical Output HP	2.24	30A30H56	30A30H14		HOLLOW	
		Output OHL (lbs.)	2300	-	-		-	
40	44	Mechanical Input HP	2.09	30A40L56	30A40L14	-	L	
		Thermal Input HP	2.87	30A40R56	30A40R14		R	
		Output Torque (lb. in.)	2324	30A40LR56	30A40LR14		LR	
		Mechanical Output HP	1.61	30A40H56	30A40H14		HOLLOW	
		Output OHL (lbs.)	2300	-	-		-	
50	35	Mechanical Input HP	1.75	30A50L56	30A50L14	-	L	
		Thermal Input HP	2.34	30A50R56	30A50R14		R	
		Output Torque (lb. in.)	2257	30A50LR56	30A50LR14		LR	
		Mechanical Output HP	1.25	30A50H56	30A50H14		HOLLOW	
		Output OHL (lbs.)	2300	-	-		-	
60	29	Mechanical Input HP	1.50	30A60L56	30A60L14	-	L	
		Thermal Input HP	2.01	30A60R56	30A60R14		R	
		Output Torque (lb. in.)	2138	30A60LR56	30A60LR14		LR	
		Mechanical Output HP	0.99	30A60H56	30A60H14		HOLLOW	
		Output OHL (lbs.)	2300	-	-		-	

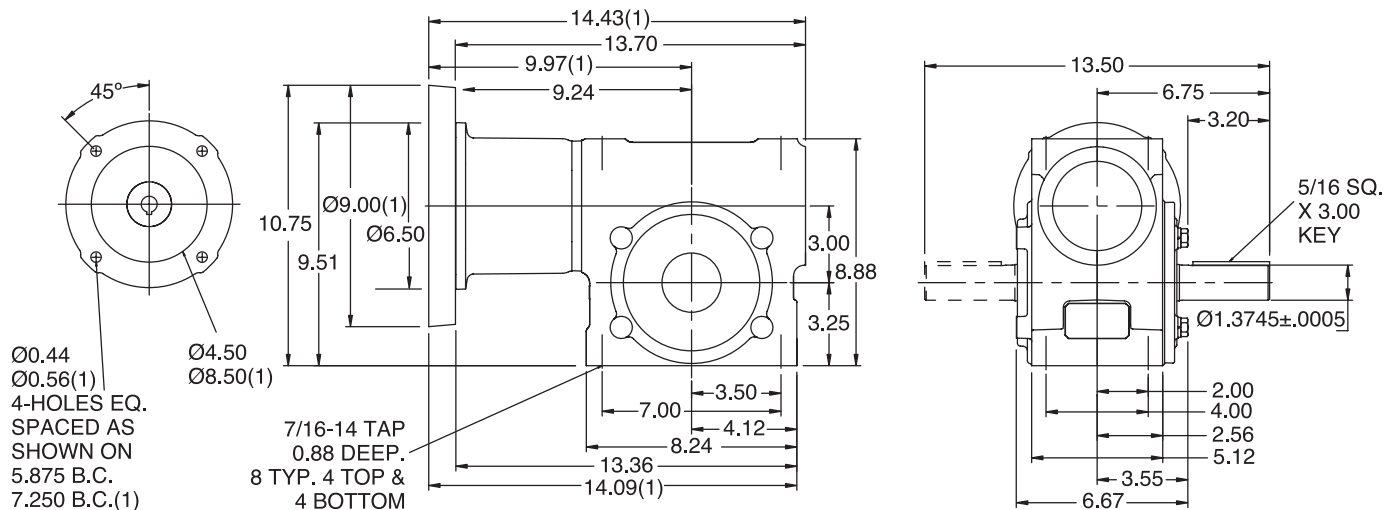
Note: Reducers are shipped without a mounting base. Order bolt-on base kit **30BASE** if required.



RATINGS/DIMENSIONS

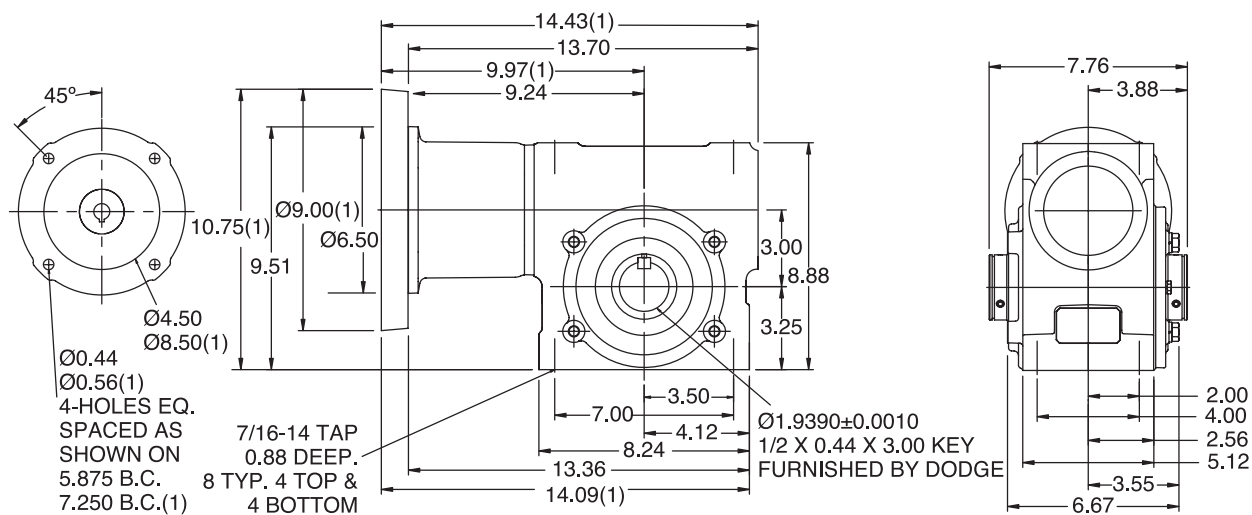
Tigear-2 Reducers With 3-Piece Coupled Input - Size 30

SOLID OUTPUT

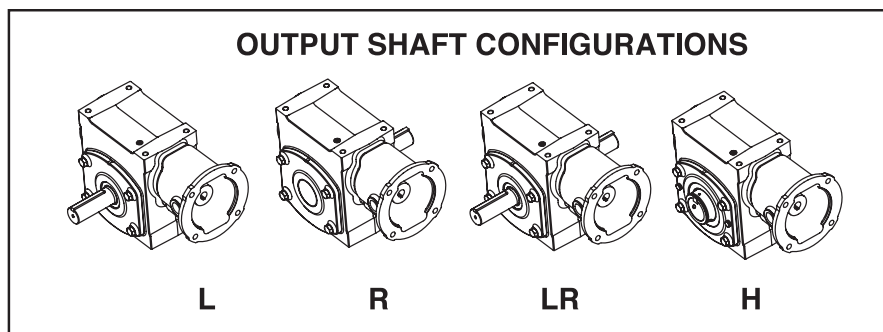


(1) DIMENSIONS APPLY TO 180 FRAME MOTOR ADAPTER

HOLLOW OUTPUT



OUTPUT SHAFT CONFIGURATIONS





RATINGS/DIMENSIONS

Tigear-2 Reducers With Quill Input - Size 35

Ratio	Output RPM	Rating Data		Part Number				Shaft Position
		1750 Input RPM		56C	140TC	180TC	210TC	
5	350	Mechanical Input HP	15.18	-	35Q05L14	35Q05L18	35Q05L21	L
		Thermal Input HP	15.51		35Q05R14	35Q05R18	35Q05R21	R
		Output Torque (lb. in.)	2593		35Q05LR14	35Q05LR18	35Q05LR21	LR
		Mechanical Output HP	14.40		35Q05H14	35Q05H18	35Q05H21	HOLLOW
		Output OHL (lbs.)	2120		-	-	-	-
7.5	233	Mechanical Input HP	12.24	-	35Q07L14	35Q07L18	35Q07L21	L
		Thermal Input HP	12.52		35Q07R14	35Q07R18	35Q07R21	R
		Output Torque (lb. in.)	3054		35Q07LR14	35Q07LR18	35Q07LR21	LR
		Mechanical Output HP	11.46		35Q07H14	35Q07H18	35Q07H21	HOLLOW
		Output OHL (lbs.)	2430		-	-	-	-
10	175	Mechanical Input HP	10.00	-	35Q10L14	35Q10L18	35Q10L21	L
		Thermal Input HP	10.63		35Q10R14	35Q10R18	35Q10R21	R
		Output Torque (lb. in.)	3310		35Q10LR14	35Q10LR18	35Q10LR21	LR
		Mechanical Output HP	9.19		35Q10H14	35Q10H18	35Q10H21	HOLLOW
		Output OHL (lbs.)	2700		-	-	-	-
12.7	138	Mechanical Input HP	8.51	-	35Q12L14	35Q12L18	35Q12L21	L
		Thermal Input HP	8.75		35Q12R14	35Q12R18	35Q12R21	R
		Output Torque (lb. in.)	3530		35Q12LR14	35Q12LR18	35Q12LR21	LR
		Mechanical Output HP	7.74		35Q12H14	35Q12H18	35Q12H21	HOLLOW
		Output OHL (lbs.)	2760		-	-	-	-
15	117	Mechanical Input HP	7.44	-	35Q15L14	35Q15L18	-	L
		Thermal Input HP	7.56		35Q15R14	35Q15R18	-	R
		Output Torque (lb. in.)	3599		35Q15LR14	35Q15LR18	-	LR
		Mechanical Output HP	6.66		35Q15H14	35Q15H18	-	HOLLOW
		Output OHL (lbs.)	2760		-	-	-	-
18	97	Available Upon Request	-	-	-	-	-	
20	88	Mechanical Input HP	5.79	-	35Q20L14	35Q20L18	-	L
		Thermal Input HP	5.97		35Q20R14	35Q20R18	-	R
		Output Torque (lb. in.)	3620		35Q20LR14	35Q20LR18	-	LR
		Mechanical Output HP	5.03		35Q20H14	35Q20H18	-	HOLLOW
		Output OHL (lbs.)	2760		-	-	-	-
25	70	Mechanical Input HP	4.72	-	35Q25L14	35Q25L18	-	L
		Thermal Input HP	5.10		35Q25R14	35Q25R18	-	R
		Output Torque (lb. in.)	3586		35Q25LR14	35Q25LR18	-	LR
		Mechanical Output HP	3.98		35Q25H14	35Q25H18	-	HOLLOW
		Output OHL (lbs.)	2760		-	-	-	-
30	58	Mechanical Input HP	4.15	35Q30L56	35Q30L14	35Q30L18	-	L
		Thermal Input HP	4.43	35Q30R56	35Q30R14	35Q30R18	-	R
		Output Torque (lb. in.)	3682	35Q30LR56	35Q30LR14	35Q30LR18	-	LR
		Mechanical Output HP	3.41	35Q30H56	35Q30H14	35Q30H18	-	HOLLOW
		Output OHL (lbs.)	2760	-	-	-	-	
40	44	Mechanical Input HP	3.23	35Q40L56	35Q40L14	35Q40L18	-	L
		Thermal Input HP	3.54	35Q40R56	35Q40R14	35Q40R18	-	R
		Output Torque (lb. in.)	3622	35Q40LR56	35Q40LR14	35Q40LR18	-	LR
		Mechanical Output HP	2.51	35Q40H56	35Q40H14	35Q40H18	-	HOLLOW
		Output OHL (lbs.)	2760	-	-	-	-	
50	35	Mechanical Input HP	2.64	35Q50L56	35Q50L14	-	-	L
		Thermal Input HP	2.94	35Q50R56	35Q50R14	-	-	R
		Output Torque (lb. in.)	3485	35Q50LR56	35Q50LR14	-	-	LR
		Mechanical Output HP	1.94	35Q50H56	35Q50H14	-	-	HOLLOW
		Output OHL (lbs.)	2760	-	-	-	-	
60	29	Mechanical Input HP	2.19	35Q60L56	35Q60L14	-	-	L
		Thermal Input HP	2.43	35Q60R56	35Q60R14	-	-	R
		Output Torque (lb. in.)	3194	35Q60LR56	35Q60LR14	-	-	LR
		Mechanical Output HP	1.48	35Q60H56	35Q60H14	-	-	HOLLOW
		Output OHL (lbs.)	2760	-	-	-	-	

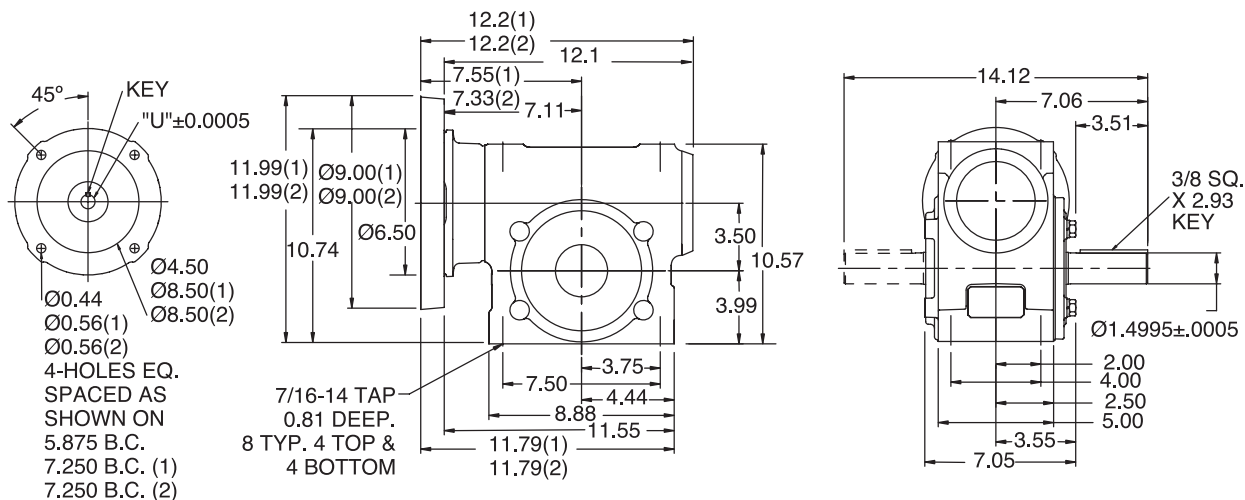
Note: Reducers are shipped without a mounting base. Order bolt-on base kit **35BASE** if required.



RATINGS/DIMENSIONS

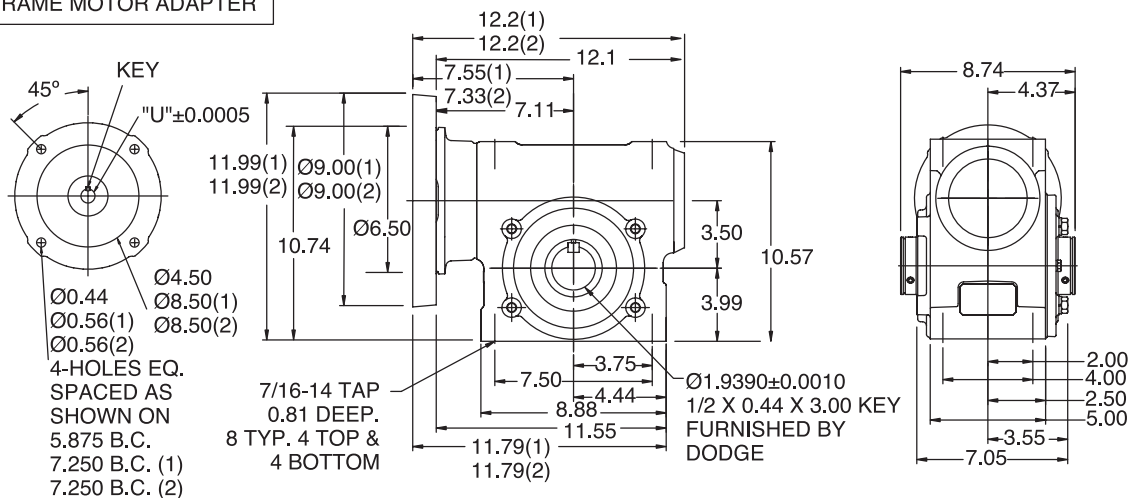
Tigear-2 Reducers With Quill Input - Size 35

SOLID OUTPUT

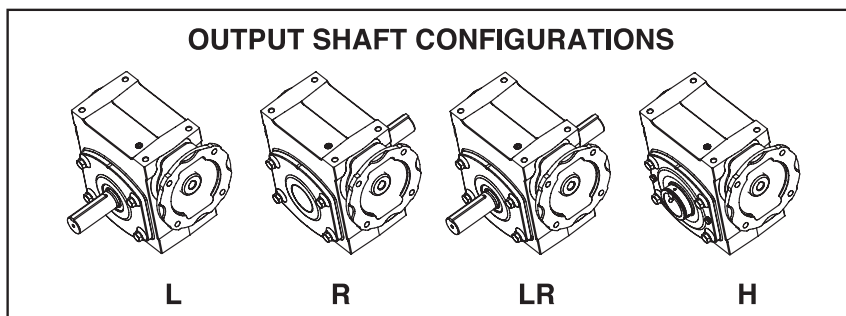


- (1) DIMENSIONS APPLY TO 180 FRAME MOTOR ADAPTER
(2) DIMENSIONS APPLY TO 210 FRAME MOTOR ADAPTER

HOLLOW OUTPUT



MOTOR FRAME	DIM "U"	KEY
48Y 56C	Ø0.626	3/16 SQ. X 2.43 KEY
140TC 160ATC	Ø0.876	3/16 SQ X 2.43 KEY
180TC 180ATC	Ø1.126	1/4 SQ. X 2.36 KEY
210TC 210ATC	Ø1.376	5/16 SQ X 2.57 KEY





RATINGS/DIMENSIONS

Tigear-2 Reducers With Separate Input - Size 35

Ratio	Output RPM	Rating Data 1750 Input RPM		Separate Reducer	Shaft Position	Optional Motor Adapter Kit			
						56C	140TC	180TC	210TC
5	350	Mechanical Input HP	15.18	35S05L	L	-	35MTR14	35MTR18	35MTR21
		Thermal Input HP	15.51	35S05R	R				
		Output Torque (lb. in.)	2593	35S05LR	LR				
		Mechanical Output HP	14.40	35S05H	HOLLOW				
		Output OHL (lbs.)	2120	-	-				
7.5	233	Mechanical Input HP	12.24	35S07L	L	-	35MTR14	35MTR18	35MTR21
		Thermal Input HP	12.52	35S07R	R				
		Output Torque (lb. in.)	3054	35S07LR	LR				
		Mechanical Output HP	11.46	35S07H	HOLLOW				
		Output OHL (lbs.)	2430	-	-				
10	175	Mechanical Input HP	10.00	35S10L	L	-	35MTR14	35MTR18	35MTR21
		Thermal Input HP	10.63	35S10R	R				
		Output Torque (lb. in.)	3310	35S10LR	LR				
		Mechanical Output HP	9.19	35S10H	HOLLOW				
		Output OHL (lbs.)	2700	-	-				
12.7	138	Mechanical Input HP	8.51	35S12L	L	-	35MTR14	35MTR18	35MTR21
		Thermal Input HP	8.75	35S12R	R				
		Output Torque (lb. in.)	3530	35S12LR	LR				
		Mechanical Output HP	7.74	35S12H	HOLLOW				
		Output OHL (lbs.)	2760	-	-				
15	117	Mechanical Input HP	7.44	35S15L	L	-	35MTR14	35MTR18	-
		Thermal Input HP	7.56	35S15R	R				
		Output Torque (lb. in.)	3599	35S15LR	LR				
		Mechanical Output HP	6.66	35S15H	HOLLOW				
		Output OHL (lbs.)	2760	-	-				
18	97	Available Upon Request	-	-	-	-	-	-	
20	88	Mechanical Input HP	5.79	35S20L	L	-	35MTR14	35MTR18	-
		Thermal Input HP	5.97	35S20R	R				
		Output Torque (lb. in.)	3620	35S20LR	LR				
		Mechanical Output HP	5.03	35S20H	HOLLOW				
		Output OHL (lbs.)	2760	-	-				
25	70	Mechanical Input HP	4.72	35S25L	L	-	35MTR14	35MTR18	-
		Thermal Input HP	5.10	35S25R	R				
		Output Torque (lb. in.)	3586	35S25LR	LR				
		Mechanical Output HP	3.98	35S25H	HOLLOW				
		Output OHL (lbs.)	2760	-	-				
30	58	Mechanical Input HP	4.15	35S30L	L	35MTR56	35MTR14	35MTR18	-
		Thermal Input HP	4.43	35S30R	R				
		Output Torque (lb. in.)	3682	35S30LR	LR				
		Mechanical Output HP	3.41	35S30H	HOLLOW				
		Output OHL (lbs.)	2760	-	-				
40	44	Mechanical Input HP	3.23	35S40L	L	35MTR56	35MTR14	35MTR18	-
		Thermal Input HP	3.54	35S40R	R				
		Output Torque (lb. in.)	3622	35S40LR	LR				
		Mechanical Output HP	2.51	35S40H	HOLLOW				
		Output OHL (lbs.)	2760	-	-				
50	35	Mechanical Input HP	2.64	35S50L	L	35MTR56	35MTR14	-	-
		Thermal Input HP	2.94	35S50R	R				
		Output Torque (lb. in.)	3485	35S50LR	LR				
		Mechanical Output HP	1.94	35S50H	HOLLOW				
		Output OHL (lbs.)	2760	-	-				
60	29	Mechanical Input HP	2.19	35S60L	L	35MTR56	35MTR14	-	-
		Thermal Input HP	2.43	35S60R	R				
		Output Torque (lb. in.)	3194	35S60LR	LR				
		Mechanical Output HP	1.48	35S60H	HOLLOW				
		Output OHL (lbs.)	2760	-	-				
All Ratios		Input OHL (lbs)	330	One diameter from seal surface					

Note: Tigear-2 separate reducers cannot be used with the old adaptable Tigear motor adapter kits.

FEATURES/BENEFITS PAGE 2	SPECIFICATION PAGE 8	HOW TO ORDER/NOMENCLATURE PAGE 9	WASHDOWN PRODUCT PAGE 80
-----------------------------	-------------------------	-------------------------------------	-----------------------------

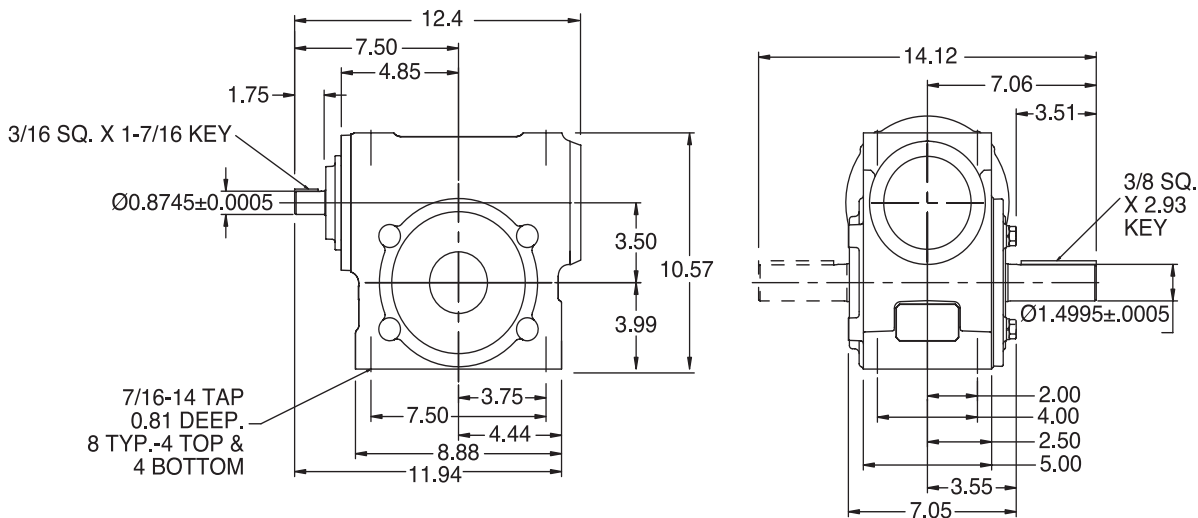
Features / Benefits
 Specification / How to Order / Nomenclature
 Selection Procedures / HP & S.F.
 Ratings / Dimensions
 Washdown E-Z Kleen
 Washdown Ultra Kleen
 Ultra Kleen Dimensions



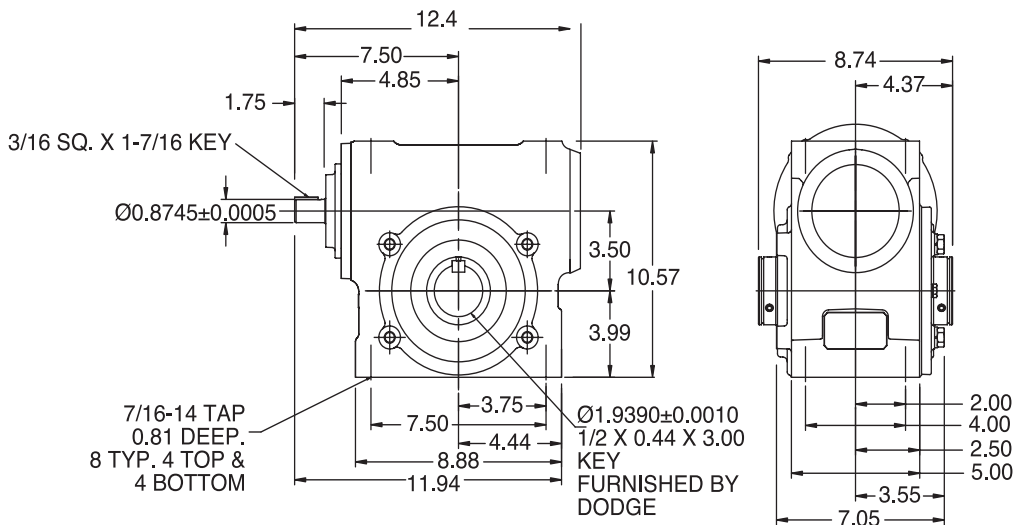
RATINGS/DIMENSIONS

Tigear-2 Reducers With Separate Input - Size 35

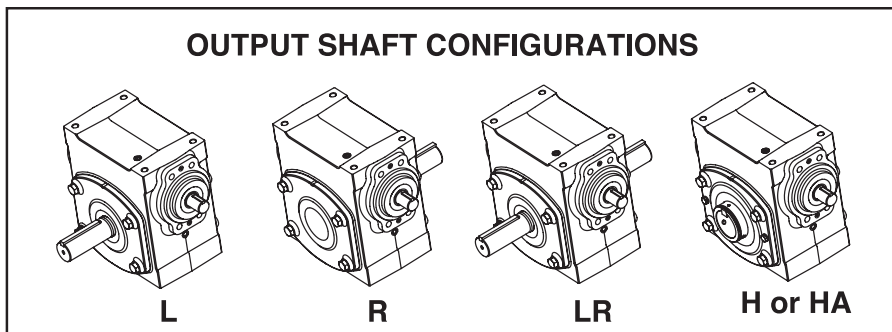
SOLID OUTPUT



HOLLOW OUTPUT



OUTPUT SHAFT CONFIGURATIONS



Features / Benefits

Specification / How to Order / Nomenclature

Selection Procedures / HP & S.F.

Ratings / Dimensions

Washdown E-Z Kleen

Washdown Ultra Kleen

Ultra Kleen Dimensions



RATINGS/DIMENSIONS

Tigear-2 Reducers With 3-Piece Coupled Input - Size 35

3-piece coupled units include a separate reducer, 3-piece coupling and motor adapter housing assembled together. These assemblies are normally "made to order" with a 5 day standard lead time.

Ratio	Output RPM	Rating Data 1750 Input RPM		Part Number			Shaft Position	
				56C	140TC	180TC		210TC
5	350	Mechanical Input HP	15.18	-	35A05L14	35A05L18	35A05L21	L
		Thermal Input HP	15.51		35A05R14	35A05R18	35A05R21	R
		Output Torque (lb. in.)	2593		35A05LR14	35A05LR18	35A05LR21	LR
		Mechanical Output HP	14.40		35A05H14	35A05H18	35A05H21	HOLLOW
		Output OHL (lbs.)	2120		-	-	-	-
7.5	233	Mechanical Input HP	12.24	-	35A07L14	35A07L18	35A07L21	L
		Thermal Input HP	12.52		35A07R14	35A07R18	35A07R21	R
		Output Torque (lb. in.)	3054		35A07LR14	35A07LR18	35A07LR21	LR
		Mechanical Output HP	11.46		35A07H14	35A07H18	35A07H21	HOLLOW
		Output OHL (lbs.)	2430		-	-	-	-
10	175	Mechanical Input HP	10.00	-	35A10L14	35A10L18	35A10L21	L
		Thermal Input HP	10.63		35A10R14	35A10R18	35A10R21	R
		Output Torque (lb. in.)	3310		35A10LR14	35A10LR18	35A10LR21	LR
		Mechanical Output HP	9.19		35A10H14	35A10H18	35A10H21	HOLLOW
		Output OHL (lbs.)	2700		-	-	-	-
12.7	138	Mechanical Input HP	8.51	-	35A12L14	35A12L18	35A12L21	L
		Thermal Input HP	8.75		35A12R14	35A12R18	35A12R21	R
		Output Torque (lb. in.)	3530		35A12LR14	35A12LR18	35A12LR21	LR
		Mechanical Output HP	7.74		35A12H14	35A12H18	35A12H21	HOLLOW
		Output OHL (lbs.)	2760		-	-	-	-
15	117	Mechanical Input HP	7.44	-	35A15L14	35A15L18	-	L
		Thermal Input HP	7.56		35A15R14	35A15R18		R
		Output Torque (lb. in.)	3599		35A15LR14	35A15LR18		LR
		Mechanical Output HP	6.66		35A15H14	35A15H18		HOLLOW
		Output OHL (lbs.)	2760		-	-		-
18	97	Available Upon Request	-	-	-	-	-	
20	88	Mechanical Input HP	5.79	-	35A20L14	35A20L18	-	L
		Thermal Input HP	5.97		35A20R14	35A20R18		R
		Output Torque (lb. in.)	3620		35A20LR14	35A20LR18		LR
		Mechanical Output HP	5.03		35A20H14	35A20H18		HOLLOW
		Output OHL (lbs.)	2760		-	-		-
25	70	Mechanical Input HP	4.72	-	35A25L14	35A25L18	-	L
		Thermal Input HP	5.10		35A25R14	35A25R18		R
		Output Torque (lb. in.)	3586		35A25LR14	35A25LR18		LR
		Mechanical Output HP	3.98		35A25H14	35A25H18		HOLLOW
		Output OHL (lbs.)	2760		-	-		-
30	58	Mechanical Input HP	4.15	35A30L56	35A30L14	35A30L18	-	L
		Thermal Input HP	4.43	35A30R56	35A30R14	35A30R18		R
		Output Torque (lb. in.)	3682	35A30LR56	35A30LR14	35A30LR18		LR
		Mechanical Output HP	3.41	35A30H56	35A30H14	35A30H18		HOLLOW
		Output OHL (lbs.)	2760	-	-	-		
40	44	Mechanical Input HP	3.23	35A40L56	35A40L14	35A40L18	-	L
		Thermal Input HP	3.54	35A40R56	35A40R14	35A40R18		R
		Output Torque (lb. in.)	3622	35A40LR56	35A40LR14	35A40LR18		LR
		Mechanical Output HP	2.51	35A40H56	35A40H14	35A40H18		HOLLOW
		Output OHL (lbs.)	2760	-	-	-		
50	35	Mechanical Input HP	2.64	35A50L56	35A50L14	-	-	L
		Thermal Input HP	2.94	35A50R56	35A50R14			R
		Output Torque (lb. in.)	3485	35A50LR56	35A50LR14			LR
		Mechanical Output HP	1.94	35A50H56	35A50H14			HOLLOW
		Output OHL (lbs.)	2760	-	-			-
60	29	Mechanical Input HP	2.19	35A60L56	35A60L14	-	-	L
		Thermal Input HP	2.43	35A60R56	35A60R14			R
		Output Torque (lb. in.)	3194	35A60LR56	35A60LR14			LR
		Mechanical Output HP	1.48	35A60H56	35A60H14			HOLLOW
		Output OHL (lbs.)	2760	-	-			-

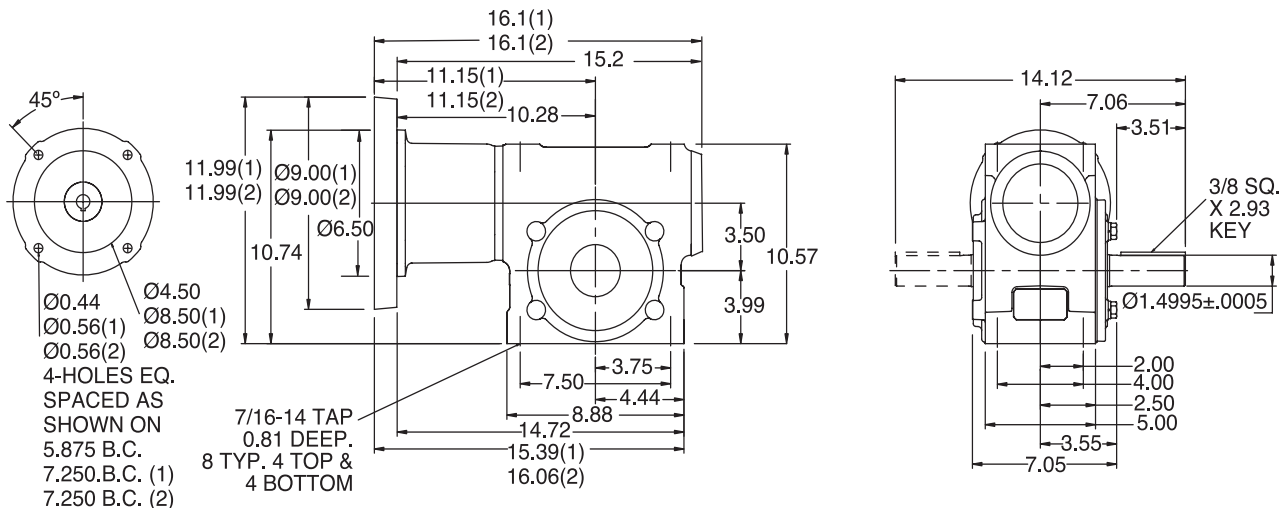
Note: Reducers are shipped without a mounting base. Order bolt-on base kit 35BASE if required.



RATINGS/DIMENSIONS

Tigear-2 Reducers With 3-Piece Coupled Input - Size 35

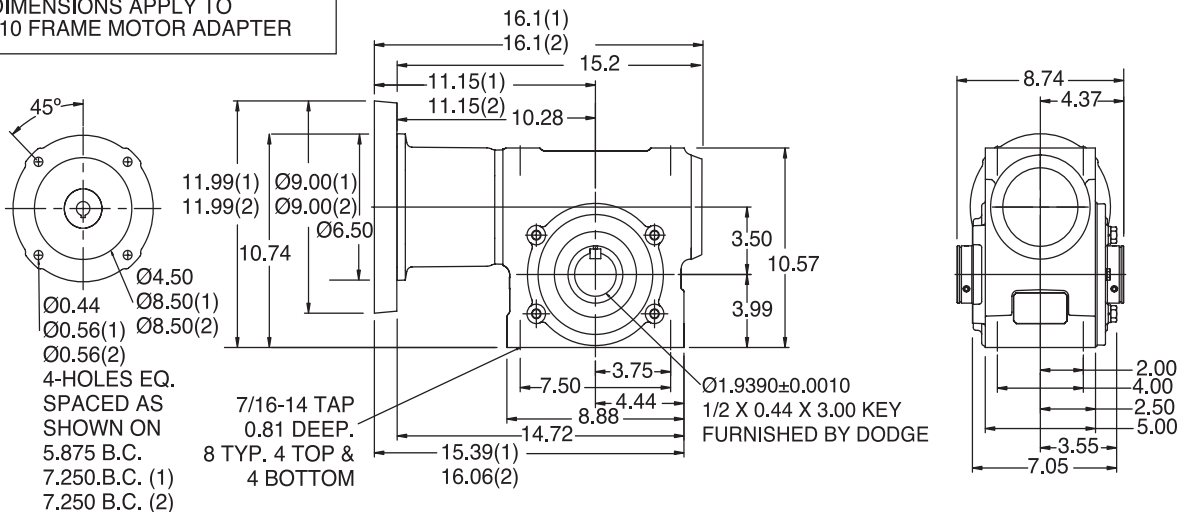
SOLID OUTPUT



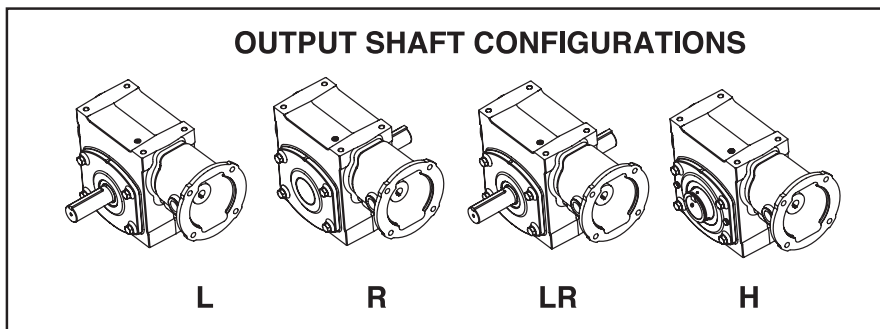
(1) DIMENSIONS APPLY TO 180 FRAME MOTOR ADAPTER

(2) DIMENSIONS APPLY TO 210 FRAME MOTOR ADAPTER

HOLLOW OUTPUT



OUTPUT SHAFT CONFIGURATIONS





RATINGS/DIMENSIONS

Tigear-2 Reducers With Quill Input - Size 40

Ratio	Output RPM	Rating Data 1750 Input RPM		Part Number				Shaft Position
				140TC	180TC	210TC	250TC	
5	350	Mechanical Input HP	20.24	-	-	40Q05L21	40Q05L25	L
		Thermal Input HP	22.20			40Q05R21	40Q05R25	R
		Output Torque (lb. in.)	3449			40Q05LR21	40Q05LR25	LR
		Mechanical Output HP	19.15			40Q05H21	40Q05H25	HOLLOW
		Output OHL (lbs.)	2860			-	-	-
7.5	233	Mechanical Input HP	16.38	-	-	40Q07L21	40Q07L25	L
		Thermal Input HP	17.56			40Q07R21	40Q07R25	R
		Output Torque (lb. in.)	4071			40Q07LR21	40Q07LR25	LR
		Mechanical Output HP	15.27			40Q07H21	40Q07H25	HOLLOW
		Output OHL (lbs.)	3280			-	-	-
10	175	Mechanical Input HP	13.33	-	-	40Q10L21	-	L
		Thermal Input HP	14.96			40Q10R21		R
		Output Torque (lb. in.)	4418			40Q10LR21		LR
		Mechanical Output HP	12.27			40Q10H21		HOLLOW
		Output OHL (lbs.)	3640			-		-
12.7	138	Available Upon Request	-	-	-	-	-	-
15	117	Mechanical Input HP	10.01	-	-	40Q15L18	40Q15L21	L
		Thermal Input HP	10.16			40Q15R18	40Q15R21	R
		Output Torque (lb. in.)	4804			40Q15LR18	40Q15LR21	LR
		Mechanical Output HP	8.89			40Q15H18	40Q15H21	HOLLOW
		Output OHL (lbs.)	4190			-	-	-
20	88	Mechanical Input HP	7.75	-	-	40Q20L18	40Q20L21	L
		Thermal Input HP	8.14			40Q20R18	40Q20R21	R
		Output Torque (lb. in.)	4822			40Q20LR18	40Q20LR21	LR
		Mechanical Output HP	6.69			40Q20H18	40Q20H21	HOLLOW
		Output OHL (lbs.)	4300			-	-	-
25	70	Mechanical Input HP	6.35	-	-	40Q25L18	-	L
		Thermal Input HP	6.45			40Q25R18		R
		Output Torque (lb. in.)	4722			40Q25LR18		LR
		Mechanical Output HP	5.25			40Q25H18		HOLLOW
		Output OHL (lbs.)	4300			-		-
30	58	Mechanical Input HP	5.61	-	-	40Q30L18	-	L
		Thermal Input HP	5.78			40Q30R18		R
		Output Torque (lb. in.)	4898			40Q30LR18		LR
		Mechanical Output HP	4.53			40Q30H18		HOLLOW
		Output OHL (lbs.)	4300			-		-
40	44	Mechanical Input HP	4.43	40Q40L14	40Q40L18	-	-	L
		Thermal Input HP	4.50	40Q40R14	40Q40R18			R
		Output Torque (lb. in.)	4800	40Q40LR14	40Q40LR18			LR
		Mechanical Output HP	3.33	40Q40H14	40Q40H18			HOLLOW
		Output OHL (lbs.)	4300	-	-			-
50	35	Mechanical Input HP	3.63	40Q50L14	40Q50L18	-	-	L
		Thermal Input HP	3.66	40Q50R14	40Q50R18			R
		Output Torque (lb. in.)	4559	40Q50LR14	40Q50LR18			LR
		Mechanical Output HP	2.53	40Q50H14	40Q50H18			HOLLOW
		Output OHL (lbs.)	4300	-	-			-
60	29	Mechanical Input HP	3.00	40Q60L14	40Q60L18	-	-	L
		Thermal Input HP	3.21	40Q60R14	40Q60R18			R
		Output Torque (lb. in.)	4166	40Q60LR14	40Q60LR18			LR
		Mechanical Output HP	1.93	40Q60H14	40Q60H18			HOLLOW
		Output OHL (lbs.)	4300	-	-			-

Note: Reducers are shipped without a mounting base. Order bolt-on base kit 40BASE if required.

Features / Benefits

Specification / How to Order / Nomenclature

Selection Procedures / HP & S.F.

Ratings / Dimensions

Washdown E-Z Kleen

Washdown Ultra Kleen

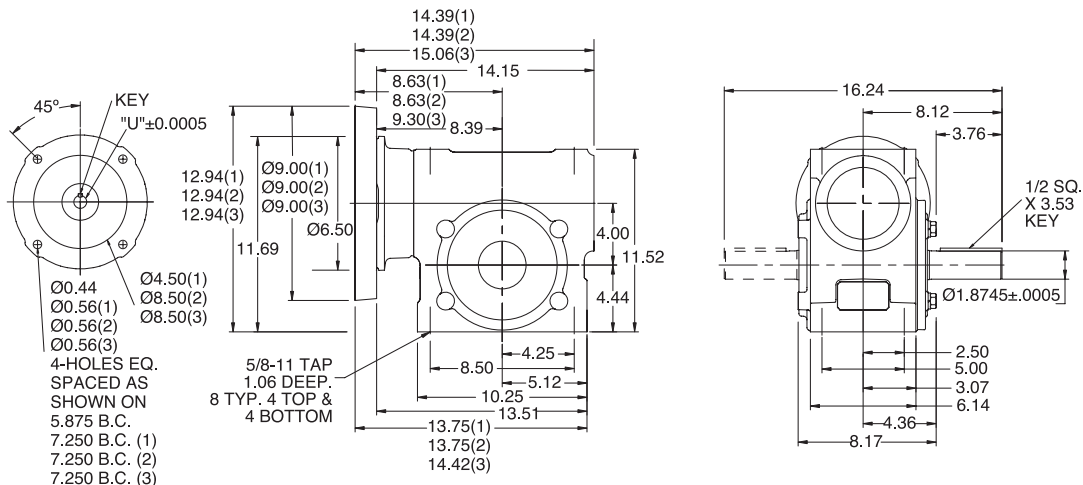
Ultra Kleen Dimensions



RATINGS/DIMENSIONS

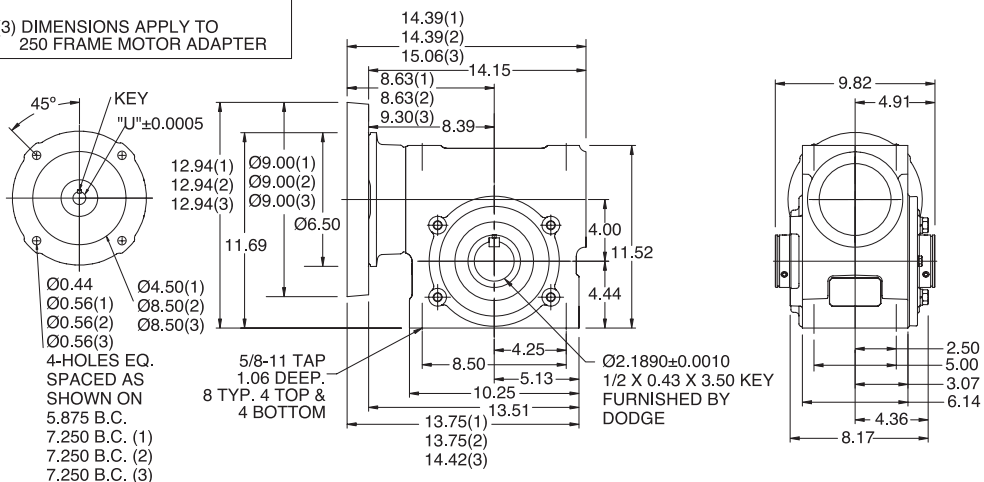
Tigear-2 Reducers With Quill Input - Size 40

SOLID OUTPUT



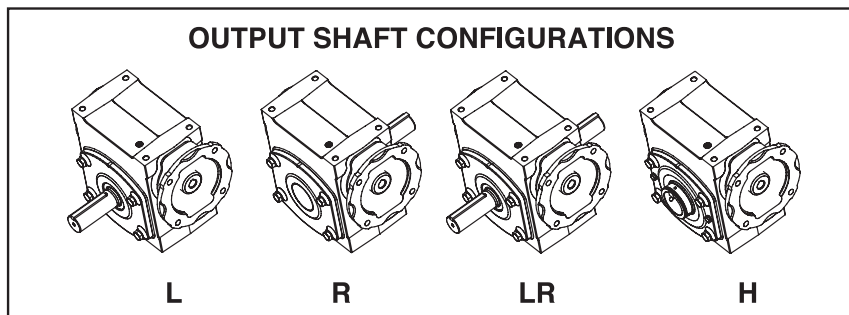
- (1) DIMENSIONS APPLY TO 180 FRAME MOTOR ADAPTER
- (2) DIMENSIONS APPLY TO 210 FRAME MOTOR ADAPTER
- (3) DIMENSIONS APPLY TO 250 FRAME MOTOR ADAPTER

HOLLOW OUTPUT



MOTOR FRAME	DIM "U"	KEY
140TC 160ATC	Ø0.876	3/16 SQ X 2.75 KEY
180TC 180ATC	Ø1.126	1/4 SQ. X 2.96 KEY
210TC 210ATC	Ø1.376	5/16 SQ X 3.11 KEY
250TC 250ATC	Ø1.626	3/8 SQ X 3.38 KEY

OUTPUT SHAFT CONFIGURATIONS





RATINGS/DIMENSIONS

Tigear-2 Reducers With Separate Input - Size 40

Ratio	Output RPM	Rating Data		Separate Reducer	Shaft Position	Optional Motor Adapter Kit			
		1750 Input RPM				140TC	180TC	210TC	250TC
5	350	Mechanical Input HP	20.24	40S05L	L	-	-	4047MTR21	4047MTR25
		Thermal Input HP	22.20	40S05R	R				
		Output Torque (lb. in.)	3449	40S05LR	LR				
		Mechanical Output HP	19.15	40S05H	HOLLOW				
		Output OHL (lbs.)	2860	-	-				
7.5	233	Mechanical Input HP	16.38	40S07L	L	-	-	4047MTR21	4047MTR25
		Thermal Input HP	17.56	40S07R	R				
		Output Torque (lb. in.)	4071	40S07LR	LR				
		Mechanical Output HP	15.27	40S07H	HOLLOW				
		Output OHL (lbs.)	3280	-	-				
10	175	Mechanical Input HP	13.33	40S10L	L	-	-	4047MTR21	-
		Thermal Input HP	14.96	40S10R	R				
		Output Torque (lb. in.)	4418	40S10LR	LR				
		Mechanical Output HP	12.27	40S10H	HOLLOW				
		Output OHL (lbs.)	3640	-	-				
12.7	138	Available Upon Request	-	-	-	-	-	-	
15	117	Mechanical Input HP	10.01	40S15L	L	-	4047MTR18	4047MTR21	-
		Thermal Input HP	10.16	40S15R	R				
		Output Torque (lb. in.)	4804	40S15LR	LR				
		Mechanical Output HP	8.89	40S15H	HOLLOW				
		Output OHL (lbs.)	4190	-	-				
20	88	Mechanical Input HP	7.75	40S20L	L	-	4047MTR18	4047MTR21	-
		Thermal Input HP	8.14	40S20R	R				
		Output Torque (lb. in.)	4822	40S20LR	LR				
		Mechanical Output HP	6.69	40S20H	HOLLOW				
		Output OHL (lbs.)	4300	-	-				
25	70	Mechanical Input HP	6.35	40S25L	L	-	4047MTR18	-	-
		Thermal Input HP	6.45	40S25R	R				
		Output Torque (lb. in.)	4722	40S25LR	LR				
		Mechanical Output HP	5.25	40S25H	HOLLOW				
		Output OHL (lbs.)	4300	-	-				
30	58	Mechanical Input HP	5.61	40S30L	L	-	4047MTR18	-	-
		Thermal Input HP	5.78	40S30R	R				
		Output Torque (lb. in.)	4898	40S30LR	LR				
		Mechanical Output HP	4.53	40S30H	HOLLOW				
		Output OHL (lbs.)	4300	-	-				
40	44	Mechanical Input HP	4.43	40S40L	L	4047MTR14	4047MTR18	-	-
		Thermal Input HP	4.50	40S40R	R				
		Output Torque (lb. in.)	4800	40S40LR	LR				
		Mechanical Output HP	3.33	40S40H	HOLLOW				
		Output OHL (lbs.)	4300	-	-				
50	35	Mechanical Input HP	3.63	40S50L	L	4047MTR14	4047MTR18	-	-
		Thermal Input HP	3.66	40S50R	R				
		Output Torque (lb. in.)	4559	40S50LR	LR				
		Mechanical Output HP	2.53	40S50H	HOLLOW				
		Output OHL (lbs.)	4300	-	-				
60	29	Mechanical Input HP	3.00	40S60L	L	4047MTR14	4047MTR18	-	-
		Thermal Input HP	3.21	40S60R	R				
		Output Torque (lb. in.)	4166	40S60LR	LR				
		Mechanical Output HP	1.93	40S60H	HOLLOW				
		Output OHL (lbs.)	4300	-	-				
All Ratios		Input OHL (lbs)	400	One diameter from seal surface					

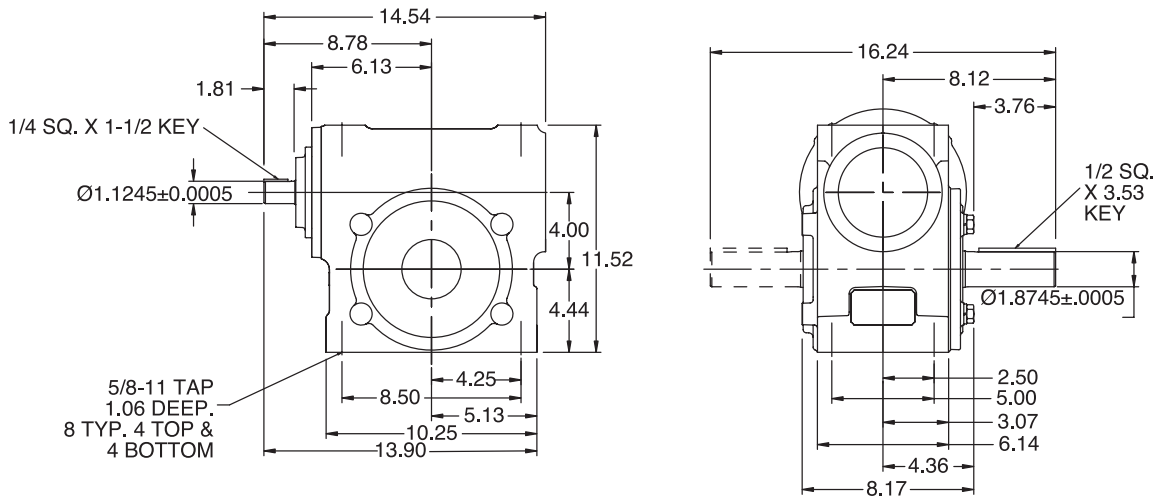
Note: Reducers are shipped without a mounting base. Order bolt-on base kit **40BASE** if required.



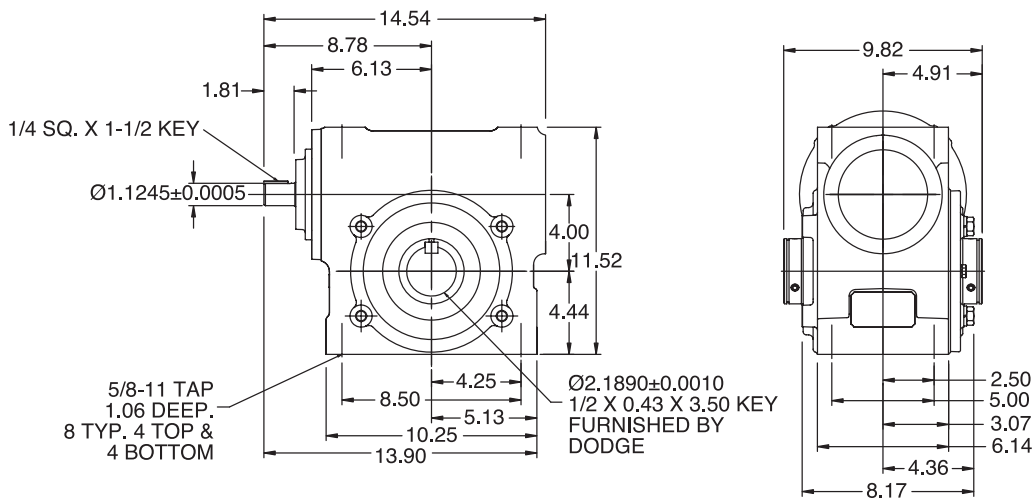
RATINGS/DIMENSIONS

Tigear-2 Reducers With Separate Input - Size 40

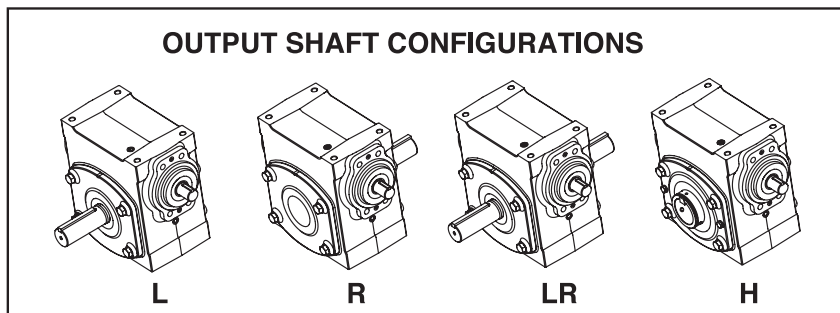
SOLID OUTPUT



HOLLOW OUTPUT



OUTPUT SHAFT CONFIGURATIONS





RATINGS/DIMENSIONS

Tigear-2 Reducers With 3-Piece Coupled Input - Size 40

3-piece coupled units include a separate reducer, 3-piece coupling and motor adapter housing assembled together. These assemblies are normally "made to order" with a 5 day standard lead time.

Ratio	Output RPM	Rating Data 1750 Input RPM		Part Number				Shaft Position
				140TC	180TC	210TC	250TC	
5	350	Mechanical Input HP	20.24	-	-	40A05L21	40A05L25	L
		Thermal Input HP	22.20			40A05R21	40A05R25	R
		Output Torque (lb. in.)	3449			40A05LR21	40A05LR25	LR
		Mechanical Output HP	19.15			40A05H21	40A05H25	HOLLOW
		Output OHL (lbs.)	2860			-	-	-
7.5	233	Mechanical Input HP	16.38	-	-	40A07L21	40A07L25	L
		Thermal Input HP	17.56			40A07R21	40A07R25	R
		Output Torque (lb. in.)	4071			40A07LR21	40A07LR25	LR
		Mechanical Output HP	15.27			40A07H21	40A07H25	HOLLOW
		Output OHL (lbs.)	3280			-	-	-
10	175	Mechanical Input HP	13.33	-	-	40A10L21	-	L
		Thermal Input HP	14.96			40A10R21		R
		Output Torque (lb. in.)	4418			40A10LR21		LR
		Mechanical Output HP	12.27			40A10H21		HOLLOW
		Output OHL (lbs.)	3640			-		-
12.7	138	Available Upon Request	-	-	-	-	-	-
15	117	Mechanical Input HP	10.01	-	-	40A15L18	40A15L21	L
		Thermal Input HP	10.16			40A15R18	40A15R21	R
		Output Torque (lb. in.)	4804			40A15LR18	40A15LR21	LR
		Mechanical Output HP	8.89			40A15H18	40A15H21	HOLLOW
		Output OHL (lbs.)	4190			-	-	-
20	88	Mechanical Input HP	7.75	-	-	40A20L18	40A20L21	L
		Thermal Input HP	8.14			40A20R18	40A20R21	R
		Output Torque (lb. in.)	4822			40A20LR18	40A20LR21	LR
		Mechanical Output HP	6.69			40A20H18	40A20H21	HOLLOW
		Output OHL (lbs.)	4300			-	-	-
25	70	Mechanical Input HP	6.35	-	-	40A25L18	-	L
		Thermal Input HP	6.45			40A25R18		R
		Output Torque (lb. in.)	4722			40A25LR18		LR
		Mechanical Output HP	5.25			40A25H18		HOLLOW
		Output OHL (lbs.)	4300			-		-
30	58	Mechanical Input HP	5.61	-	-	40A30L18	-	L
		Thermal Input HP	5.78			40A30R18		R
		Output Torque (lb. in.)	4898			40A30LR18		LR
		Mechanical Output HP	4.53			40A30H18		HOLLOW
		Output OHL (lbs.)	4300			-		-
40	44	Mechanical Input HP	4.43	40A40L14	40A40L18	-	-	L
		Thermal Input HP	4.50	40A40R14	40A40R18			R
		Output Torque (lb. in.)	4800	40A40LR14	40A40LR18			LR
		Mechanical Output HP	3.33	40A40H14	40A40H18			HOLLOW
		Output OHL (lbs.)	4300	-	-			-
50	35	Mechanical Input HP	3.63	40A50L14	40A50L18	-	-	L
		Thermal Input HP	3.66	40A50R14	40A50R18			R
		Output Torque (lb. in.)	4559	40A50LR14	40A50LR18			LR
		Mechanical Output HP	2.53	40A50H14	40A50H18			HOLLOW
		Output OHL (lbs.)	4300	-	-			-
60	29	Mechanical Input HP	3.00	40A60L14	40A60L18	-	-	L
		Thermal Input HP	3.21	40A60R14	40A60R18			R
		Output Torque (lb. in.)	4166	40A60LR14	40A60LR18			LR
		Mechanical Output HP	1.93	40A60H14	40A60H18			HOLLOW
		Output OHL (lbs.)	4300	-	-			-

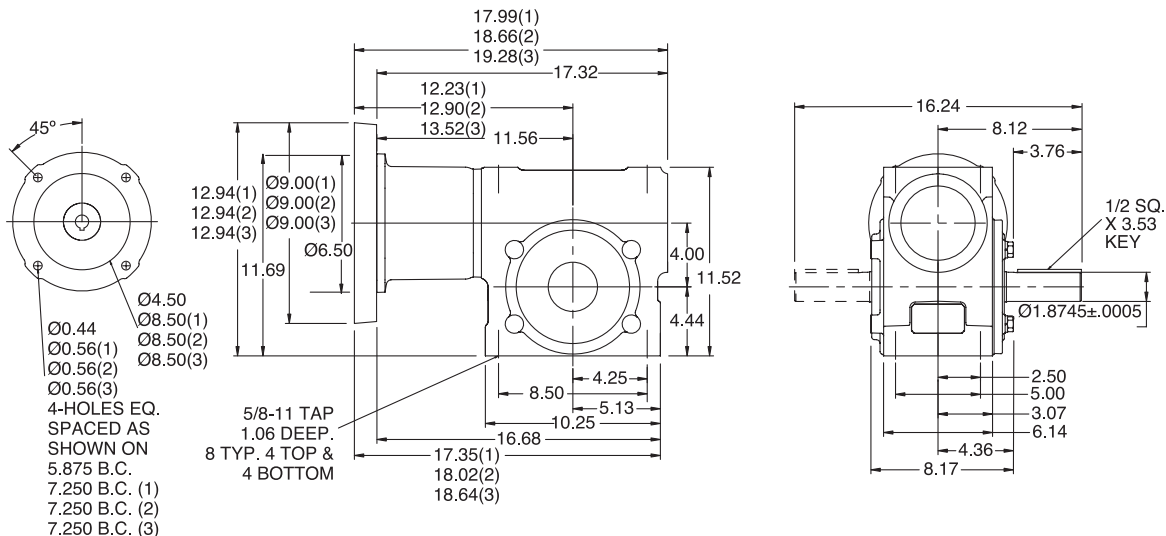
Note: Reducers are shipped without a mounting base. Order bolt-on base kit 40BASE if required.



RATINGS/DIMENSIONS

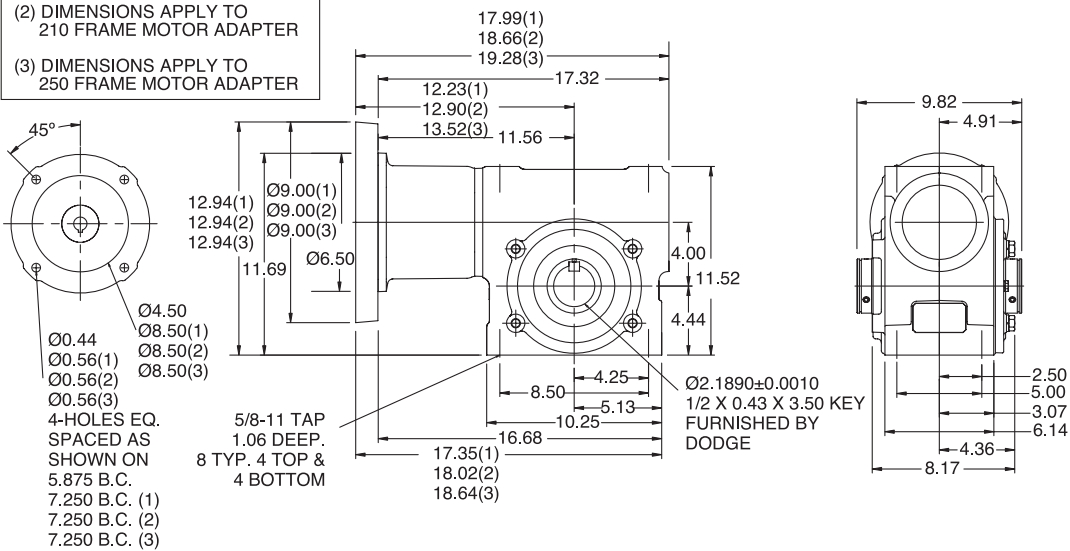
Tigear-2 Reducers With 3-Piece Coupled Input - Size 40

SOLID OUTPUT

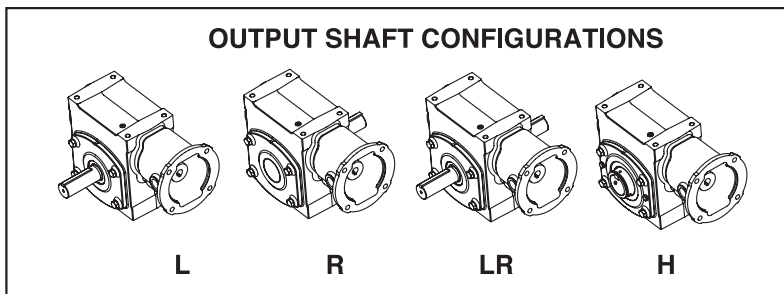


- (1) DIMENSIONS APPLY TO 180 FRAME MOTOR ADAPTER
- (2) DIMENSIONS APPLY TO 210 FRAME MOTOR ADAPTER
- (3) DIMENSIONS APPLY TO 250 FRAME MOTOR ADAPTER

HOLLOW OUTPUT



OUTPUT SHAFT CONFIGURATIONS





RATINGS/DIMENSIONS

Tigear-2 Reducers With Quill Input - Size 47

Ratio	Output RPM	Rating Data 1750 Input RPM		Part Number			Shaft Position
				180TC	210TC	250TC	
5	350	Mechanical Input HP	28.45	-	-	47Q05L25	L
		Thermal Input HP	29.12			47Q05R25	R
		Output Torque (lb. in.)	4832			47Q05LR25	LR
		Mechanical Output HP	26.84			47Q05H25	HOLLOW
		Output OHL (lbs.)	5100			-	-
7.5	233	Mechanical Input HP	23.35	-	-	47Q07L25	L
		Thermal Input HP	24.37			47Q07R25	R
		Output Torque (lb. in.)	5801			47Q07LR25	LR
		Mechanical Output HP	21.77			47Q07H25	HOLLOW
		Output OHL (lbs.)	5600			-	-
10	175	Mechanical Input HP	19.27	-	47Q10L21	47Q10L25	L
		Thermal Input HP	20.08		47Q10R21	47Q10R25	R
		Output Torque (lb. in.)	6390		47Q10LR21	47Q10LR25	LR
		Mechanical Output HP	17.74		47Q10H21	47Q10H25	HOLLOW
		Output OHL (lbs.)	5600		-	-	-
15	117	Mechanical Input HP	14.05	-	47Q15L21	-	L
		Thermal Input HP	14.14		47Q15R21		R
		Output Torque (lb. in.)	6739		47Q15LR21		LR
		Mechanical Output HP	12.47		47Q15H21		HOLLOW
		Output OHL (lbs.)	5600		-		-
20	88	Mechanical Input HP	10.82	-	47Q20L21	-	L
		Thermal Input HP	10.96		47Q20R21		R
		Output Torque (lb. in.)	6659		47Q20LR21		LR
		Mechanical Output HP	9.24		47Q20H21		HOLLOW
		Output OHL (lbs.)	5600		-		-
25	70	Mechanical Input HP	8.76	47Q25L18	47Q25L21	-	L
		Thermal Input HP	8.09	47Q25R18	47Q25R21		R
		Output Torque (lb. in.)	6410	47Q25LR18	47Q25LR21		LR
		Mechanical Output HP	7.12	47Q25H18	47Q25H21		HOLLOW
		Output OHL (lbs.)	5600	-	-		-
30	58	Mechanical Input HP	7.95	47Q30L18	-	-	L
		Thermal Input HP	7.22	47Q30R18			R
		Output Torque (lb. in.)	6845	47Q30LR18			LR
		Mechanical Output HP	6.34	47Q30H18			HOLLOW
		Output OHL (lbs.)	5600	-			-
40	44	Mechanical Input HP	6.21	47Q40L18	-	-	L
		Thermal Input HP	5.66	47Q40R18			R
		Output Torque (lb. in.)	6644	47Q40LR18			LR
		Mechanical Output HP	4.61	47Q40H18			HOLLOW
		Output OHL (lbs.)	5600	-			-
50	35	Mechanical Input HP	5.05	47Q50L18	-	-	L
		Thermal Input HP	4.42	47Q50R18			R
		Output Torque (lb. in.)	6241	47Q50LR18			LR
		Mechanical Output HP	3.47	47Q50H18			HOLLOW
		Output OHL (lbs.)	5600	-			-
60	29	Mechanical Input HP	4.12	47Q60L18	-	-	L
		Thermal Input HP	3.65	47Q60R18			R
		Output Torque (lb. in.)	5683	47Q60LR18			LR
		Mechanical Output HP	2.63	47Q60H18			HOLLOW
		Output OHL (lbs.)	5600	-			-

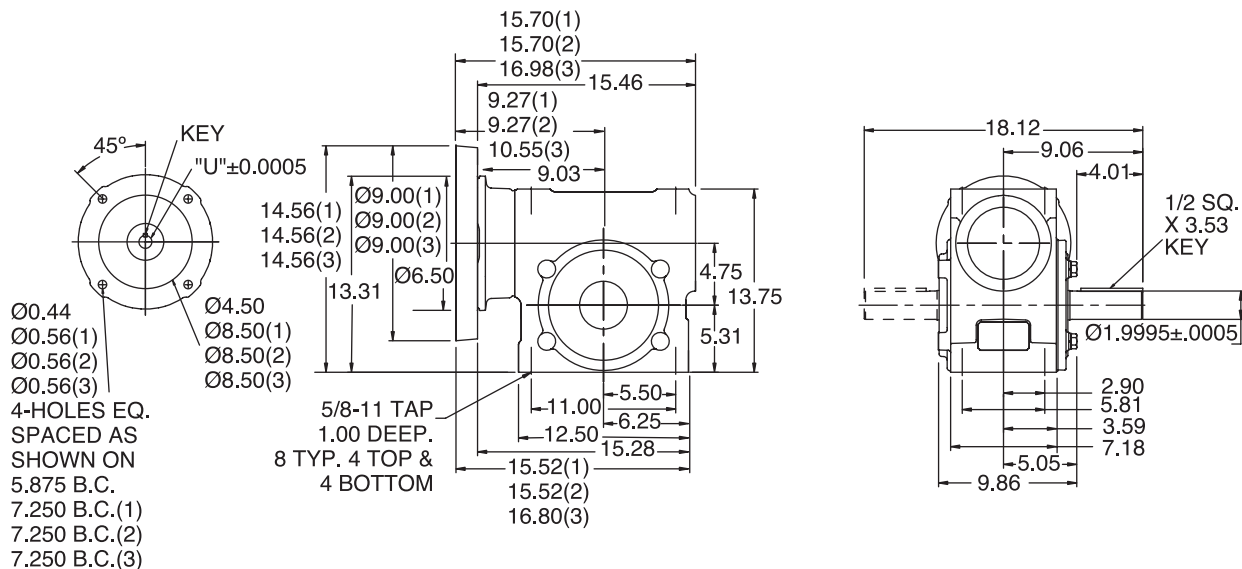
Note: Reducers are shipped without a mounting base. Order bolt-on base kit **47BASE** if required.



RATINGS/DIMENSIONS

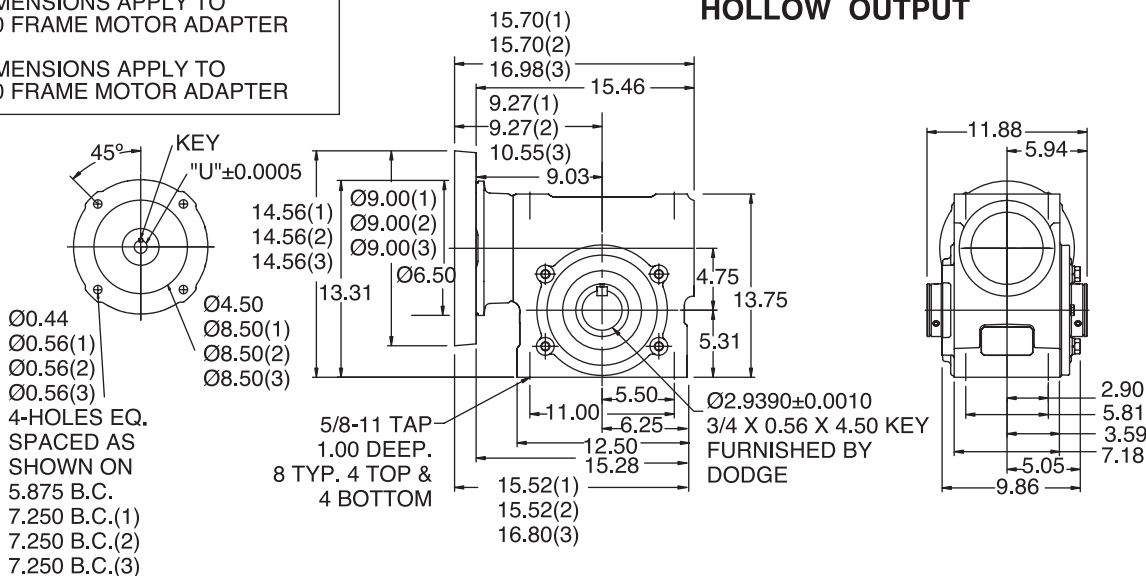
Tigear-2 Reducers With Quill Input - Size 47

SOLID OUTPUT

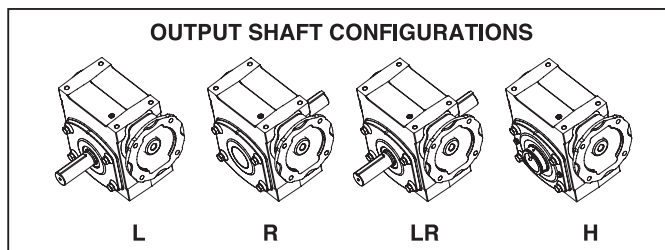


- (1) DIMENSIONS APPLY TO 180 FRAME MOTOR ADAPTER
- (2) DIMENSIONS APPLY TO 210 FRAME MOTOR ADAPTER
- (3) DIMENSIONS APPLY TO 250 FRAME MOTOR ADAPTER

HOLLOW OUTPUT



MOTOR FRAME	DIM "U"	KEY
140TC 160ATC	Ø0.876	3/16 SQ X 2.75 KEY
180TC 180ATC	Ø1.126	1/4 SQ. X 2.98 KEY
210TC 210ATC	Ø1.376	5/16 SQ X 3.11 KEY
250TC 250ATC	Ø1.626	3/8 SQ X 3.38 KEY





RATINGS/DIMENSIONS

Tigear-2 Reducers With Separate Input - Size 47

Ratio	Output RPM	Rating Data 1750 Input RPM		Separate Reducer	Shaft Position	Optional Motor Adapter Kit		
						180TC	210TC	250TC
5	350	Mechanical Input HP	28.45	47S05L	L	-	4047MTR21	4047MTR25
		Thermal Input HP	29.12	47S05R	R			
		Output Torque (lb. in.)	4832	47S05LR	LR			
		Mechanical Output HP	26.84	47S05H	HOLLOW			
		Output OHL (lbs.)	5100	-	-			
7.5	233	Mechanical Input HP	23.35	47S07L	L	-	4047MTR21	4047MTR25
		Thermal Input HP	24.37	47S07R	R			
		Output Torque (lb. in.)	5801	47S07LR	LR			
		Mechanical Output HP	21.77	47S07H	HOLLOW			
		Output OHL (lbs.)	5600	-	-			
10	175	Mechanical Input HP	19.27	47S10L	L	-	4047MTR21	-
		Thermal Input HP	20.08	47S10R	R			
		Output Torque (lb. in.)	6390	47S10LR	LR			
		Mechanical Output HP	17.74	47S10H	HOLLOW			
		Output OHL (lbs.)	5600	-	-			
15	117	Mechanical Input HP	14.05	47S15L	L	4047MTR18	4047MTR21	-
		Thermal Input HP	14.14	47S15R	R			
		Output Torque (lb. in.)	6739	47S15LR	LR			
		Mechanical Output HP	12.47	47S15H	HOLLOW			
		Output OHL (lbs.)	5600	-	-			
20	88	Mechanical Input HP	10.82	47S20L	L	4047MTR18	4047MTR21	-
		Thermal Input HP	10.96	47S20R	R			
		Output Torque (lb. in.)	6659	47S20LR	LR			
		Mechanical Output HP	9.24	47S20H	HOLLOW			
		Output OHL (lbs.)	5600	-	-			
25	70	Mechanical Input HP	8.76	47S25L	L	4047MTR18	-	-
		Thermal Input HP	8.09	47S25R	R			
		Output Torque (lb. in.)	6410	47S25LR	LR			
		Mechanical Output HP	7.12	47S25H	HOLLOW			
		Output OHL (lbs.)	5600	-	-			
30	58	Mechanical Input HP	7.95	47S30L	L	4047MTR18	-	-
		Thermal Input HP	7.22	47S30R	R			
		Output Torque (lb. in.)	6845	47S30LR	LR			
		Mechanical Output HP	6.34	47S30H	HOLLOW			
		Output OHL (lbs.)	5600	-	-			
40	44	Mechanical Input HP	6.21	47S40L	L	4047MTR18	-	-
		Thermal Input HP	5.66	47S40R	R			
		Output Torque (lb. in.)	6644	47S40LR	LR			
		Mechanical Output HP	4.61	47S40H	HOLLOW			
		Output OHL (lbs.)	5600	-	-			
50	35	Mechanical Input HP	5.05	47S50L	L	4047MTR18	-	-
		Thermal Input HP	4.42	47S50R	R			
		Output Torque (lb. in.)	6241	47S50LR	LR			
		Mechanical Output HP	3.47	47S50H	HOLLOW			
		Output OHL (lbs.)	5600	-	-			
60	29	Mechanical Input HP	4.12	47S60L	L	-	-	-
		Thermal Input HP	3.65	47S60R	R			
		Output Torque (lb. in.)	5683	47S60LR	LR			
		Mechanical Output HP	2.63	47S60H	HOLLOW			
		Output OHL (lbs.)	5600	-	-			
All Ratios		Input OHL (lbs)	500	One diameter from seal surface				

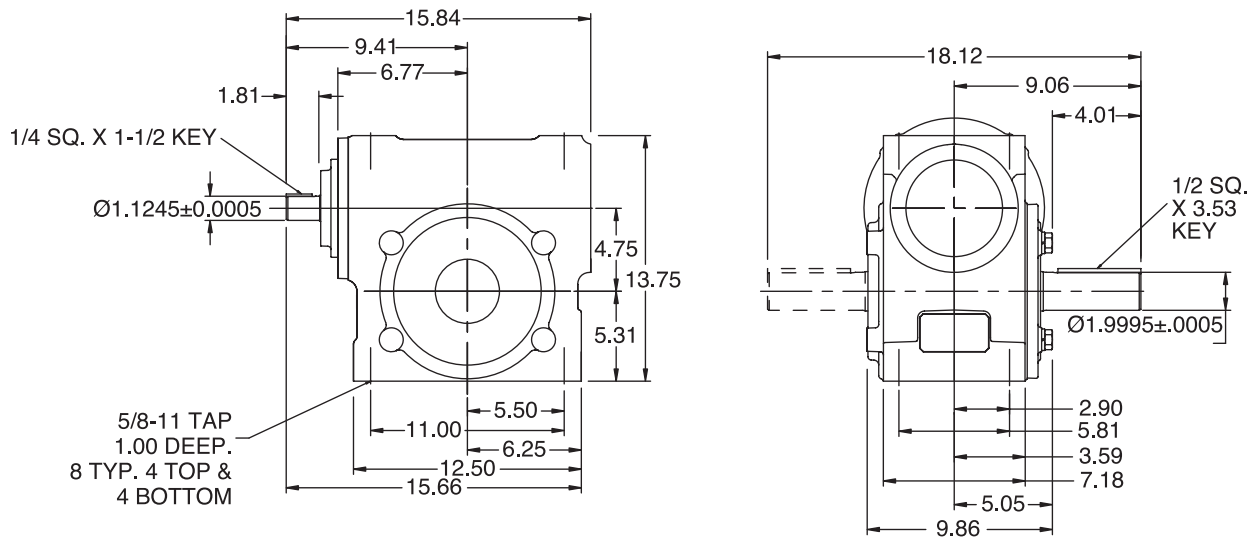
Note: Tigear-2 separate reducers cannot be used with the old adaptable Tigear motor adapter kits.



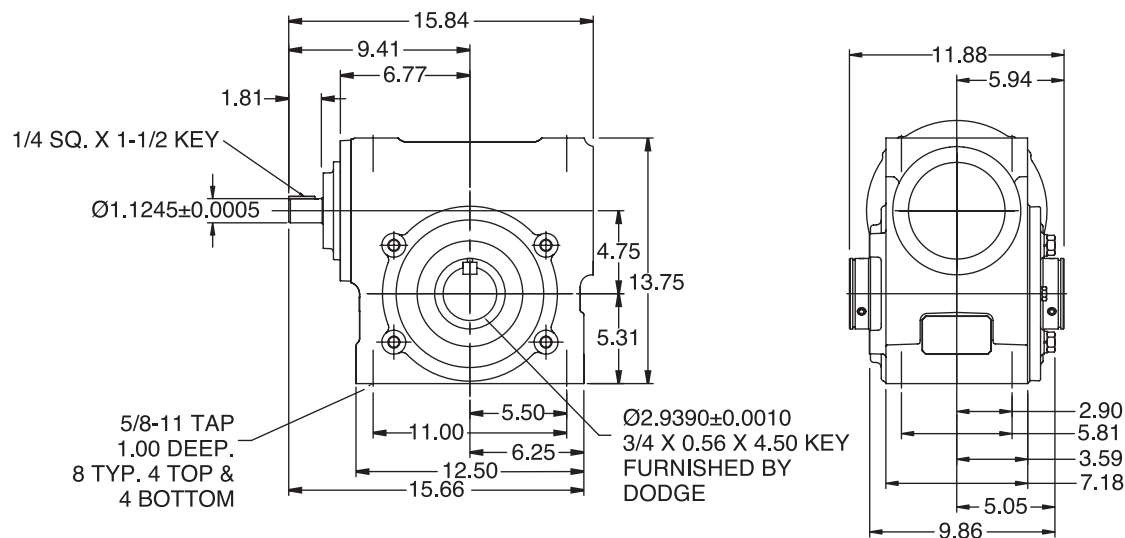
RATINGS/DIMENSIONS

Tigear-2 Reducers With Separate Input - Size 47

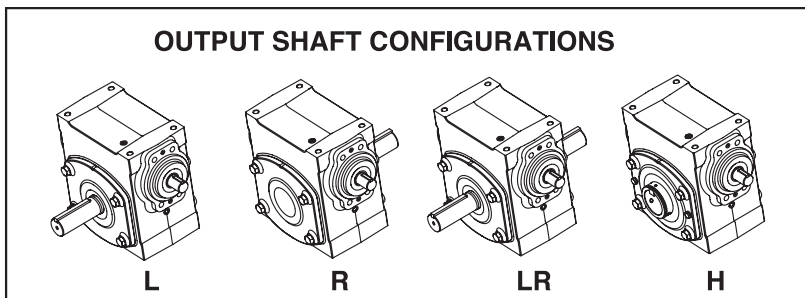
SOLID OUTPUT



HOLLOW OUTPUT



OUTPUT SHAFT CONFIGURATIONS





RATINGS/DIMENSIONS

Tigear-2 Reducers With 3-Piece Coupled Input - Size 47

3-piece coupled units include a separate reducer, 3-piece coupling and motor adapter housing assembled together. These assemblies are normally "made to order" with a 5 day standard lead time.

Ratio	Output RPM	Rating Data 1750 Input RPM		Part Number			Shaft Position
				180TC	210TC	250TC	
5	350	Mechanical Input HP	28.45	-	-	47A05L25	L
		Thermal Input HP	29.12			47A05R25	R
		Output Torque (lb. in.)	4832			47A05LR25	LR
		Mechanical Output HP	26.84			47A05H25	HOLLOW
		Output OHL (lbs.)	5100			-	-
7.5	233	Mechanical Input HP	23.35	-	-	47A07L25	L
		Thermal Input HP	24.37			47A07R25	R
		Output Torque (lb. in.)	5801			47A07LR25	LR
		Mechanical Output HP	21.77			47A07H25	HOLLOW
		Output OHL (lbs.)	5600			-	-
10	175	Mechanical Input HP	19.27	-	47A10L21	47A10L25	L
		Thermal Input HP	20.08		47A10R21	47A10R25	R
		Output Torque (lb. in.)	6390		47A10LR21	47A10LR25	LR
		Mechanical Output HP	17.74		47A10H21	47A10H25	HOLLOW
		Output OHL (lbs.)	5600		-	-	
15	117	Mechanical Input HP	14.05	-	47A15L21	-	L
		Thermal Input HP	14.14		47A15R21		R
		Output Torque (lb. in.)	6739		47A15LR21		LR
		Mechanical Output HP	12.47		47A15H21		HOLLOW
		Output OHL (lbs.)	5600		-		-
20	88	Mechanical Input HP	10.82	-	47A20L21	-	L
		Thermal Input HP	10.96		47A20R21		R
		Output Torque (lb. in.)	6659		47A20LR21		LR
		Mechanical Output HP	9.24		47A20H21		HOLLOW
		Output OHL (lbs.)	5600		-		-
25	70	Mechanical Input HP	8.76	47A25L18	47A25L21	-	L
		Thermal Input HP	8.09	47A25R18	47A25R21		R
		Output Torque (lb. in.)	6410	47A25LR18	47A25LR21		LR
		Mechanical Output HP	7.12	47A25H18	47A25H21		HOLLOW
		Output OHL (lbs.)	5600	-	-		
30	58	Mechanical Input HP	7.95	47A30L18	-	-	L
		Thermal Input HP	7.22	47A30R18			R
		Output Torque (lb. in.)	6845	47A30LR18			LR
		Mechanical Output HP	6.34	47A30H18			HOLLOW
		Output OHL (lbs.)	5600	-			-
40	44	Mechanical Input HP	6.21	47A40L18	-	-	L
		Thermal Input HP	5.66	47A40R18			R
		Output Torque (lb. in.)	6644	47A40LR18			LR
		Mechanical Output HP	4.61	47A40H18			HOLLOW
		Output OHL (lbs.)	5600	-			-
50	35	Mechanical Input HP	5.05	47A50L18	-	-	L
		Thermal Input HP	4.42	47A50R18			R
		Output Torque (lb. in.)	6241	47A50LR18			LR
		Mechanical Output HP	3.47	47A50H18			HOLLOW
		Output OHL (lbs.)	5600	-			-
60	29	Mechanical Input HP	4.12	47A60L18	-	-	L
		Thermal Input HP	3.65	47A60R18			R
		Output Torque (lb. in.)	5683	47A60LR18			LR
		Mechanical Output HP	2.63	47A60H18			HOLLOW
		Output OHL (lbs.)	5600	-			-

Note: Reducers are shipped without a mounting base. Order bolt-on base kit **47BASE** if required.

FEATURES/BENEFITS PAGE 2	SPECIFICATION PAGE 8	HOW TO ORDER/NOMENCLATURE PAGE 9	WASHDOWN PRODUCT PAGE 80
-----------------------------	-------------------------	-------------------------------------	-----------------------------

Features / Benefits

Order / Nomenclature

Selection Procedures / HP & S.F.

Ratings / Dimensions

Washdown E-Z Kleen

Washdown Ultra Kleen

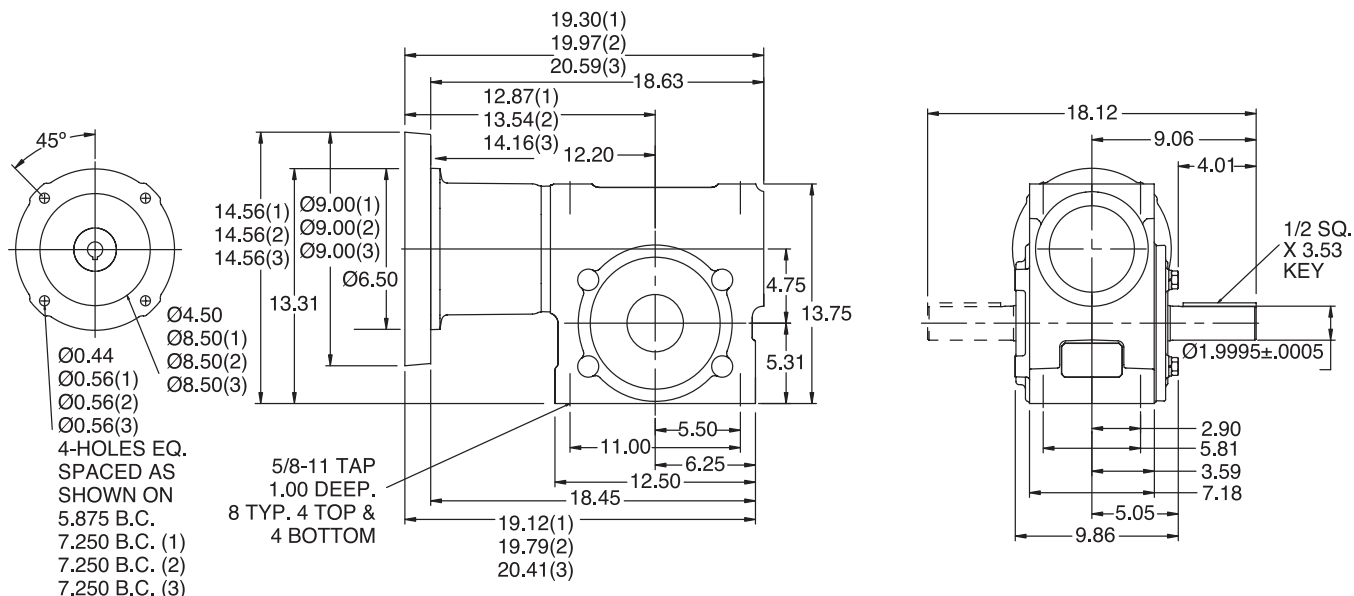
Ultra Kleen Dimensions



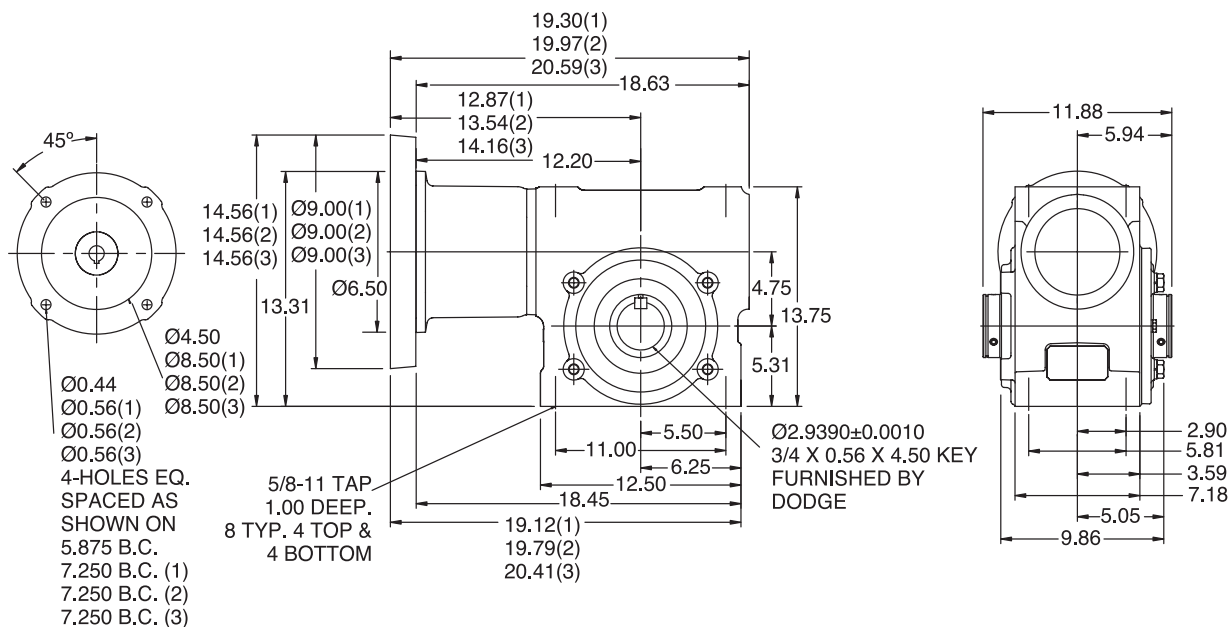
RATINGS/DIMENSIONS

Tigear-2 Reducers With 3-Piece Coupled Input - Size 47

SOLID OUTPUT



HOLLOW OUTPUT



- (1) DIMENSIONS APPLY TO 180 FRAME MOTOR ADAPTER
- (2) DIMENSIONS APPLY TO 210 FRAME MOTOR ADAPTER
- (3) DIMENSIONS APPLY TO 250 FRAME MOTOR ADAPTER

OUTPUT SHAFT CONFIGURATIONS

