



Setscrew Ball Bearings

Features / Benefits	B4-3
How to Order / Nomenclature	B4-5
Selection	B4-6
Selection/Dimensions	
Pillow Blocks	
SC - Normal Duty	B4-12
SCAH Air Handling Normal Duty	B4-16
SCB Normal Duty	B4-20
SCBAH Air Handling Normal Duty	B4-22
SCH-E Expansion and Non-Expansion	B4-24
SCM Medium Duty	B4-26
SCMAH Air Handling Medium Duty	B4-28
SL Light Duty	B4-30
SC Normal Duty Tapped Base	B4-32
Flanges	
2-Bolt Flange	B4-34
3-Bolt Flange	B4-50
4-Bolt Flange	B4-54
Piloted Flange	B4-66
Take-Ups	
SC-Normal Duty Narrow Slot	B4-70
SC-Normal Duty Wide Slot	B4-74
SCM-Medium Duty Wide Slot	B4-78
Type G Normal Duty Top Angle	B4-82
Hanger Bearings	
SC Normal Duty Screw Conveyor	B4-84
SC Normal Duty	B4-86
SC Normal Duty Cylindrical Units	B4-87
Inserts	
SC - Normal Duty Inserts	B4-88
SCH Expansion and Non-Expansion	B4-92
SCM Medium Duty	B4-94
LF/LFT/SL Bearing Inserts	B4-96
Modification/Accessories	B4-98
Related Products	
High Temperature Ball Bearings	B4-99
End Closures	B4-102
Part Number Index	INDEX-1
Key Word Index	KEYWORD-1

CONTENTS



Bearing Reference
Guide

ULTRA KLEEN

E-Z KLEEN

Extreme Duty

Setscrew Ball Bearing

GRIP TIGHT

D-LOK Ball Bearing



FEATURES/BENEFITS

Setscrew Ball Bearings

For over 70 years, DODGE has been talking to mounted bearing users and listening to their needs. This experience led to the design of the optimum mounted ball bearing. A state-of-the-art facility was built to manufacture the new DODGE design.

The result is the DODGE SC/SCM/SL line. Its premium features make it the most reliable setscrew mounted ball bearing on the market and provides the user unmatched quality and true total value.

- Light Duty Narrow Inner Ring (SL)
- Normal Duty Wide Inner Ring (SC)
- Medium Duty Wide Inner Ring (SCM)
- Wide Variety of Housing Configurations
- Available in 1/2 to 3-1/2 (17 to 90mm) Bore Sizes
- Seal Options:
 - DUALGUARD seal
 - ProGuard Seal
 - Rubberized flinger
 - Low friction labyrinth on SC/ SCM
- Other Options:
 - FDA/USDA lubricant and other special lubricants
 - High temperature SC/SCM designed for temperatures from 225° F to 400° F. Factory assembled to order.

For application assistance, contact DODGE Engineering

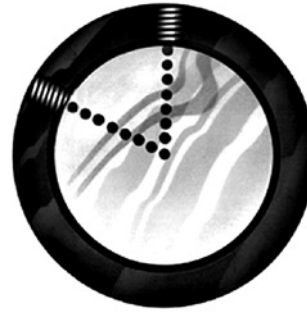
Phone 864-284-5700

Fax 864-281-2317

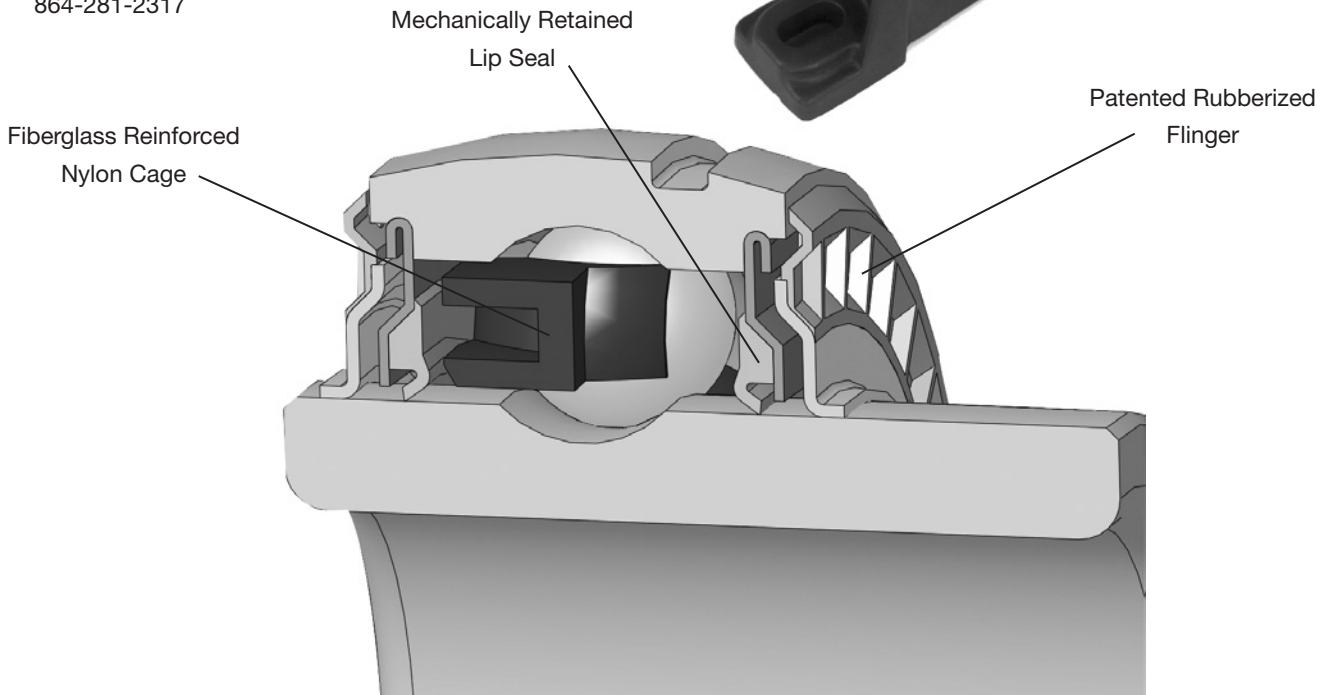
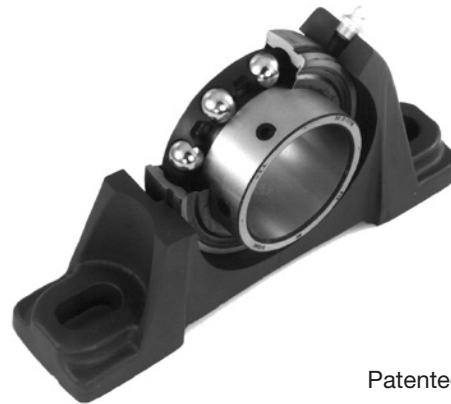
DODGE End Covers

Available from stock to fit SC, SCM and VSC mounted units, these end covers are designed for added protection from contaminants as well as for OSHA requirements. Covers are OSHA yellow.

Superior Locking Forces



The DODGE SC/SCM/SL line uses 65° design which offers an optimum balance between locking force and inner ring stress.



Note: Instruction manuals and drawings for Dodge bearings are available on www.dodge-pt.com



FEATURES/BENEFITS

Bearing Reference Guide

ULTRA KLEEN

E-Z KLEEN

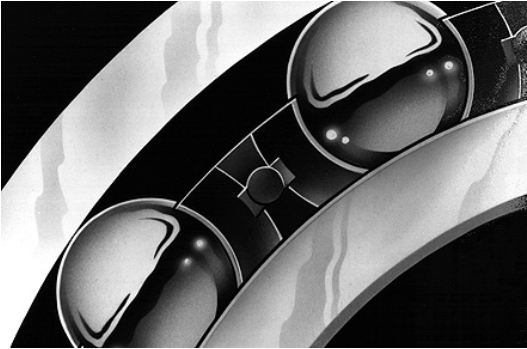
Extreme Duty

Setscrew Ball Bearing

GRIP TIGHT

D-LOK Ball Bearing

Stronger, More Flexible Cage



The ball cage is made of heat-stabilized nylon with 33% fill short fiberglass reinforcement for added strength. The nylon material provides a natural lubricity for longer life. Fiberglass reinforcement allows higher operating temperatures than plain nylon, yet it is more resistant to fatigue than metallic cages. Short fiberglass allows greater flexibility than steel or normal fiberglass, especially under misalignment. That means longer life in mounted bearings where some degree of misalignment is unavoidably encountered.

Anti-Rotation Pin (SC,SCM)

An anti-rotation pin prevents rotation of the outer race within the housing. Simple and effective, it makes system inserts easier to replace. There is no need to remove and replace grease fittings, location pins or other devices.



Simplified Anti-rotation device

Note: Instruction manuals and drawings for Dodge bearings are available on www.dodge-pt.com

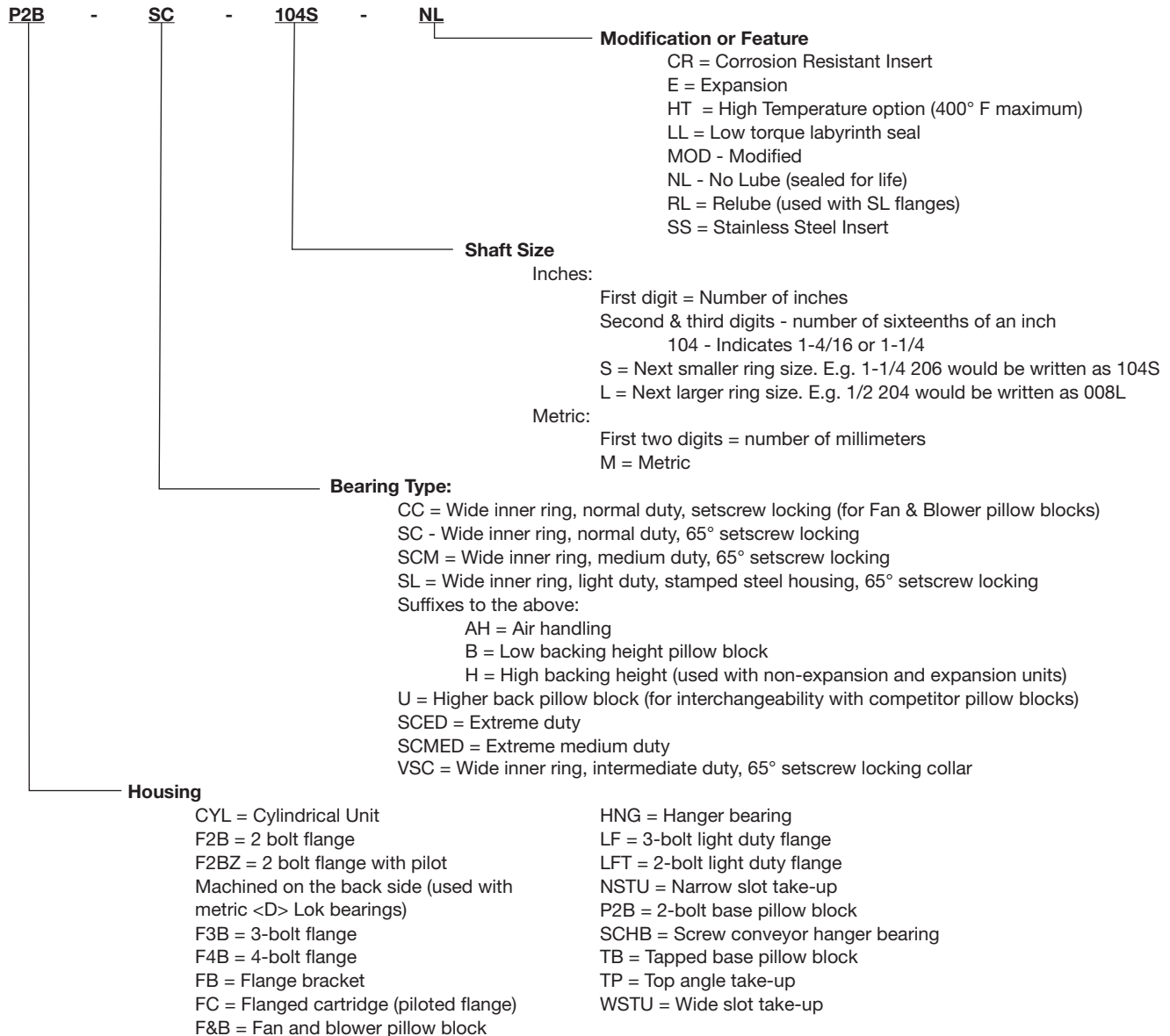


HOW TO ORDER/NOMENCLATURE

Setscrew Ball Bearings HOW TO ORDER

There are two ways to specify DODGE Bearings. Most of the product offering have part numbers with listings shown throughout this catalog. Use of part numbers ensures accurate ordering processing.

When part numbers are not shown, the product may be specified by description or part name. This method is used when ordering units that include modifications or options. To order by description, use the nomenclature key shown below and add any special instructions to the end of the description for options not covered by the nomenclature.



FEATURES/BENEFITS PAGE B4-3	SELECTION PAGE B4-6	SELECTION/DIMENSIONS PAGE B4-12	ACCESSORIES PAGE B4-98
--------------------------------	------------------------	------------------------------------	---------------------------



Setscrew Ball Bearings

Recommended Torque													
◆ Setscrews					D-LOK			Mounting Bolts					
Setscrew Size	Key Hex Across Flats	Recommended Torque			Cap Screw Size	Recom. Torque	EZ-KLEEN Recom. Torque	Metal Housings		EZ-KLEEN Housed Bearings			
		Standard Ball Bearing Insert		Corrosion Resistant Stainless Steel				Bolt Size	Recom. Dry Torque (Grade 2)	2-Bolt PB, 2 & 4 Bolt Fig. and Fig. Brackets		Tapped Base PB	
		Min	Max							Bolt Size	Torque ①	Bolt Size	Torque ②
(in.)	(in.)	(in.-lbs.)	(in.-lbs.)	(in.-lbs.)	(in.)	(in.Olbs.)	(in.-lbs.)	(in.)	(in.Olbs.)	(in.)	(in.-lbs.)	(in.)	(in.-lbs.)
#10	3/32	28	33	25	#8-32	58	46	3/8-16	240	3/8-16	225	3/8-16	175
1/4	1/8	66	80	60	#10-32	90	72	7/16-14	384	7/16-14	350	7/16-14	350
5/16	5/32	126	156	117	1/4-28	180	144	1/2-13	600	1/2-13	500	1/2-13	400
3/8	3/16	228	275	206	5/16-24	400	320	5/8-11	1200	9/16-12	650		
7/16	7/32	342	428	321	3/8-24	750	600	3/4-10	1950	5/8-11	1000		
								7/8-9	2890				
(mm)	(mm)	(N-m)	(N-m)	(N-m)	(mm)	(N-m)	(N-m)	(mm)	(N-m)	(mm)	(N-m)	① Torque for Austenitic (18-8) Stainless	
M5	2.5	3.2	3.7	2.8	M4	5.85	4.68	M10	29	M8	15		
M6	3	6.2	7.7	5.8	M5	10.75	8.6	M12	50	M10	25		
M8	4	14.2	17.8	13.4	M6	20.5	16.4	M16	124	M12	50		
M10	5	26	31	23	M8	45	36	M20	238	M14	75		
M12	6	46	57	43				M22	322	M18	125	② Max. torque values published. Do not exceed	

Lubrication

High Speed Operation - In the higher speed ranges, too much grease will cause over-heating. The amount of grease that the bearing will take for a particular high speed application can only be determined by experience. If excess grease in the bearing causes overheating, it will be necessary to remove grease fitting to permit excess grease to escape. The bearing has been greased at the factory and is ready to run. When establishing a relubrication schedule, note that a small amount of grease at frequent intervals is preferable to a large amount at infrequent intervals.

◆ **Note:** Dodge does not recommend the use of oils or locking agents on setscrew threads. However, if utilized, the minimum installation torque values should be followed.

Lubrication Guide								
Use a No. 2 Lithium complex base grease or equivalent*								
Hours Run per Day	Suggested Lubrication Period in Weeks							
	1 to 250 RPM	251 to 500 RPM	501 to 750 RPM	751 to 1000 RPM	1001 to 1500 RPM	1501 to 2000 RPM	2001 to 2500 RPM	2501 to 3000 RPM
8	12	12	10	7	5	4	3	2
16	12	7	5	4	2	2	1	1
24	10	5	3	2	1	1	1	1

* For EZ-KLEEN series bearings, use an aluminum complex base grease.

Lubrication recommendations are intended for standard products applied in general operating conditions. For modified products, high temperature applications, and other anomalous applications contact product engineering at 864-284-5700.

Note: Bearing analysis program "BEST" is available on www.ptwizard.com

FEATURES/BENEFITS PAGE B4-3	HOW TO ORDER/NOMENCLATURE PAGE B4-5	SELECTION/DIMENSIONS PAGE B4-12	ACCESSORIES PAGE B4-98
--------------------------------	--	------------------------------------	---------------------------



Setscrew Ball Bearings

DODGE mounted ball bearings are primarily designed for radial loading. However, they have the capacity to carry thrust loads and combined radial/thrust loads. The maximum recommended load which can be applied is limited by various components in the system, such as bearing, housing, shaft attachments, speed and life requirements. DODGE mounted ball bearings have been applied successfully when these limits have been exceeded under controlled operating conditions. Contact DODGE Engineering for applications which exceed these recommendations.

Select a bearing from the Selection Chart that has a radial load rating at the operating speed equal to or greater than the calculated Equivalent Radial load for a desired L_{10} life. This simple method is all that is required for the majority of general applications and provides for occasional average shock loads.

L_{10} Hours Life-is the life which may be expected for at least 90% of a given group of bearings operating under identical conditions.

For an L_{10} hours life other than those listed in the Selection Chart, multiply the equivalent Radial load by one of the following factors. For 50,000 L_{10} hours life, use a factor of 1.18 and for 80,000, use 1.39. Then select a bearing from the bold face (30,000) L_{10} ratings only in the Selection Chart that has a rating equal to or greater than this value.

Heavy Service-For heavy shock loads, frequent shock loads or severe vibrations, add up to 50% (according to severity of conditions) to the Equivalent Radial Load to obtain a Modified Equivalent Radial Load. Consult Application Engineering for additional selection assistance.

A thrust load value of $C/10$ is recommended as a guide for general applications and will give adequate L_{10} life. Where substantial radial load pulls the housing away from the mounting base, both the hold-down bolts and housing must be of adequate strength. Auxiliary load carrying devices, such as shear bars, are advisable for side or end-loading of pillow blocks and radial loads for flange units.

To determine the L_{10} hours life for loads and RPM's not listed use the following equation:

$$L_{10} = \left(\frac{C}{P} \right)^3 \times \frac{16,667}{N}$$

Where:

L_{10} = Life, hours

C = Dynamic Capacity, lbs. or N

P = Equivalent Radial Load, lbs. or N

N = Revolutions per minute

When the load on a ball bearing is solely a radial load with no thrust (axial) load, the Equivalent Radial Load (P) is equal to the actual radial load. However, when a thrust (axial) load is applied, the radial and thrust loads applied must be converted into an Equivalent Radial Load. The use of the X (radial factor) and Y (thrust factor) from Table 1 convert the actual applied thrust and radial loads to an Equivalent Radial Load

which has the same effect on the life of a bearing as a radial load of this magnitude.

$$P = (X \times F_R) + (Y \times F_A)$$

Where:

P = Equivalent Radial Load, lbs.

F_R = Radial load, lbs.

F_A = Thrust load, lbs.

e = Thrust load to radial load factor (Table 1)

X = Radial load factor (Table 1)

Y = Thrust factor (Table 1)

C_0 = Basic static capacity

To find X and Y, first calculate F_A/C_0 to determine e. Calculate F_A/F_R and compare to e to determine the X and Y factors to use from Table 1.

Substitute all known values into the Equivalent Radial Load equation. The Equivalent Radial loads (P) thus determined can be used in the L_{10} life formula or compared to the allowable Equivalent Radial Load rating desired in the expanded rating chart to select a bearing (Table 2).

If calculated value of P is less than F_R , use $P=F_R$.

F_A / C_0	e	Radial/Thrust Factors			
		If F_A/F_R is equal to or less than e		If F_A/F_R is greater than e	
		$F_A/F_R \leq e$		$F_A/F_R > e$	
		X	Y	X	Y
0.014	0.19	1	0	0.56	2.30
0.021	0.21	1	0	0.56	2.15
0.028	0.22	1	0	0.56	1.99
0.042	0.24	1	0	0.56	1.85
0.056	0.26	1	0	0.56	1.71
0.070	0.27	1	0	0.56	1.63
0.084	0.28	1	0	0.56	1.55
0.110	0.30	1	0	0.56	1.45
0.170	0.34	1	0	0.56	1.31
0.280	0.38	1	0	0.56	1.15
0.420	0.42	1	0	0.56	1.04
0.560	0.44	1	0	0.56	1.00

Lubrication-DODGE Ball Bearings are lubricated at the factory and are ready to run. The bearings are initially lubricated with lithium complex based grease and should be relubricated with the same or some equivalent. For high speeds, high loads, extreme temperatures and other abnormal operating conditions, special greases may be required. Contact DODGE Application Engineering for recommendations on these types of applications.

Misalignment-DODGE Ball Bearings are designed to allow a maximum of $\pm 2^\circ$ static misalignment. These bearings are not suitable for dynamic misalignment. To ensure good alignment, mounting surfaces must be checked for flatness and must lie in the same plane. When tightening base bolts, each bolt should be alternately tightened in incremental torque values until full torque is achieved to prevent the angular shifting of the pillow block that occurs when one bolt is tightened to its full torque. Shimming may be required to minimize misalignment.

Shaft Tolerances		
Normal Shaft Size Inches	Commercial Shaft Tolerances Inches	Recommended Shaft Tolerances Setscrew Ball Bearings Inches
Up to 1-1/2"	+0.000 -0.002	+0.0000 -0.0005
Over 1-1/2" to 2-1/2"	+0.000 -0.003	+0.0000 -0.0010
Over 2-1/2" to 4"	+0.000 -0.004	+0.0000 -0.0010

Note: Bearing analysis program "BEST" is available on www.ptwizard.com

FEATURES/BENEFITS PAGE B4-3	HOW TO ORDER/NOMENCLATURE PAGE B4-5	SELECTION/DIMENSIONS PAGE B4-12	ACCESSORIES PAGE B4-98
--------------------------------	--	------------------------------------	---------------------------

SELECTION



Setscrew Ball Bearing Inch

Table 2 (continued): Easy Selection Table for Ball Bearing Mounted Units

Ring Size	Shaft Size		Dynamic Capacity C, Lbs.	Static Capacity Co, Lbs.	L ₁₀ life hours	Allowable Equivalent Radial Load Rating (Lbs.) At Various RPM*									
	SC, VSC, SL, CC	SCM				2500	3000	3500	4000	4500	5000	5500	6500	7500	
203	1/2 5/8		2158	1079	20000	150	140	135	130	125	120	115	110	105	
					30000	130	125	115	110	105	105	100	95	90	
					40000	120	110	105	100	95	95	90	85	80	
					60000	105	95	95	90	85	80	80	75	70	
					100000	85	80	80	75	70	70	65	65	60	
204	1/2 5/8 3/4 13/16		2899	1482	20000	200	190	180	170	165	160	155	145	140	
					30000	175	165	155	150	145	140	135	130	120	
					40000	160	150	145	135	130	125	125	115	110	
					60000	140	130	125	120	115	110	105	100	95	
					100000	115	110	105	100	90	95	90	85	80	
205	7/8 15/16 1		3146	1769	20000	220	205	195	185	180	175	170	160	150	
					30000	190	180	170	165	155	150	145	140	130	
					40000	175	165	155	150	140	135	135	125	120	
					60000	150	140	135	130	125	120	115	110	105	
					100000	125	120	115	110	105	100	100	95	90	
206	1-1/16 1-1/8 1-3/16 1-1/4	1	4368	2538	20000	305	285	270	260	250	240	235	200		
					30000	265	250	235	225	220	210	205	195		
					40000	240	225	215	205	200	190	185	175		
					60000	210	200	190	180	175	165	160	155		
					100000	175	165	160	150	145	140	135	130		
207	1-1/4 1-5/16 1-3/8 1-7/16	1-3/16 1-1/4	5759	3461	20000	400	375	355	340	330	315	305			
					30000	350	330	310	300	285	275	270			
					40000	315	300	285	270	260	250	245			
					60000	275	260	250	235	230	220	125			
					100000	235	220	210	200	190	185	180			
208	1-1/2 1-5/8	1-7/16 1-1/2**	7332	4475	20000	510	480	455	435	420	405				
					30000	445	420	400	380	365	355				
					40000	405	380	360	345	330	320				
					60000	355	330	315	300	290	280				
					100000	300	280	265	255	245	235				
209	1-5/8 1-11/16 1-3/4	1-1/2	7891	4906	20000	550	515	490	470	450	435				
					30000	480	450	430	410	395	380				
					40000	435	410	390	370	360	345				
					60000	380	360	340	325	310	300				
					100000	320	300	285	275	265	255				
210	1-15/16 2	1-11/16 1-3/4	7891	5213	20000	550	515	490	470	450					
					30000	480	450	430	410	395					
					40000	435	410	390	370	360					
					60000	380	360	340	325	310					
					100000	320	300	285	275	265					
211	2 2-3/16 2-1/4	1-15/16 2	9755	6588	20000	676	636	604	578						
					30000	591	556	528	505						
					40000	537	505	480	459						
					60000	469	441	419	401						
					100000	395	372	353	338						
212	2-1/4 2-7/16	2-3/16 2-1/4	11791	8100	20000	820	770	730							
					30000	715	675	640							
					40000	650	610	580							
					60000	570	535	510							
					100000	480	450	430							
214	2 11/16	2-7/16 2-1/2	13995	9838	20000	970	915								
					30000	850	800								
					40000	770	725								
					60000	675	635								
					100000	570	535								
215	2-15/16	2-11/16	14872	11108	20000	1035	975								
					30000	905	850								
					40000	820	770								
					60000	715	675								
					100000	605	570								
216		2-15/16 3	17407	13102	20000	1210									
					30000	1055									
					40000	960									
					60000	840									
					100000	705									
218		3-7/16 3-1/2	21451	16641	20000										
					30000										
					40000										
					60000										
					100000										

* Slight interference fit required when operating on the right of the heavy line or in the shaded area ** Piloted flange only

Note: Bearing analysis program "BEST" is available on www.ptwizard.com

FEATURES/BENEFITS PAGE B4-3	HOW TO ORDER/NOMENCLATURE PAGE B4-5	SELECTION/DIMENSIONS PAGE B4-12	ACCESSORIES PAGE B4-98
--------------------------------	--	------------------------------------	---------------------------

SELECTION



Setscrew Ball Bearing Inch

Table 2 (continued): Easy Selection Table for Ball Bearing Mounted Units

Ring Size	Shaft Size		Dynamic Capacity C, N.	Static Capacity Co, N.	L ₁₀ Life Hours	Allowable equivalent radial load rating (n.) At various RPM*								
	SC, VSC, SL, C	SCM				2500	3000	3500	4000	4500	5000	5500	6500	7500
203	17mm		9600	4800	20000	667	623	600	578	556	534	512	489	467
					30000	578	556	512	489	467	445	423	400	
					40000	534	489	467	445	423	400	378	356	
					60000	467	423	423	400	378	356	334	311	
					100000	378	356	356	334	311	289	289	267	
204	20mm		12895	6592	20000	890	845	801	756	734	712	689	645	623
					30000	778	724	689	667	645	623	600	578	534
					40000	712	667	645	600	578	556	534	512	489
					60000	623	578	556	534	512	489	467	445	423
					100000	512	489	467	445	400	423	400	378	356
205	25mm		13995	7869	20000	979	912	867	823	801	778	756	712	667
					30000	845	801	756	734	689	667	645	623	578
					40000	778	734	689	667	623	600	600	556	534
					60000	667	623	600	578	556	534	512	489	467
					100000	556	534	512	489	467	445	445	423	400
206	30mm	25mm	18993	11,290	20000	1357	1268	1201	1156	1112	1068	1045	979	
					30000	1179	1112	1045	1001	979	934	912	867	
					40000	1068	1001	958	912	890	845	823	778	
					60000	934	890	845	801	778	734	712	689	
					100000	778	734	712	667	645	623	600	578	
207	35mm	30mm	25628	15,395	20000	1779	1668	1579	1512	1468	1401	1357		
					30000	1557	1468	1379	1134	1268	1223	1201		
					40000	1401	1334	1268	1201	1156	1112	1090		
					60000	1223	1156	1112	1045	1023	979	956		
					100000	1045	979	934	890	845	823	801		
208	40mm	35mm	32627	19,906	20000	2268	2135	2024	1935	1868	1801			
					30000	1979	1868	1779	1690	1624	1579			
					40000	1801	1690	1601	1535	1468	1423			
					60000	1576	1468	1401	1334	1290	1245			
					100000	1334	1245	1179	1134	1090	1045			
209	45mm	40mm	35115	21,823	20000	2446	2291	2180	2091	2002	1935			
					30000	2135	2002	1913	1824	1757	1690			
					40000	1935	1824	1735	1646	1601	1535			
					60000	1690	1601	1512	1446	1379	1334			
					100000	1423	1334	1268	1223	1179	1134			
210	50mm	45mm	35115	23,189	20000	2446	2291	2180	2091	2002				
					30000	2135	2002	1913	1824	1757				
					40000	1935	1824	1735	1646	1601				
					60000	1690	1601	1512	1446	1379				
					100000	1423	1334	1268	1223	1179				
211	55mm	50mm	43394	29,305	20000	3007	2830	2688	2571					
					30000	2627	2472	2348	2246					
					40000	2387	2246	2134	2041					
					60000	2085	1962	1864	1783					
					100000	1759	1655	1572	1504					
212	60mm	55mm	52470	36,031	20000	3647	3425	3247						
					30000	3180	3002	2847						
					40000	2891	2713	2580						
					60000	2535	2380	2268						
					100000	2135	2002	1913						
214	70mm	65mm	62278	43,762	20000	4315	4070							
					30000	3781	3558							
					40000	3425	3225							
					60000	3002	2824							
					100000	2535	2380							
215	75mm	70mm	66180	49,411	20000	4604	4337							
					30000	4025	3781							
					40000	3647	3425							
					60000	3180	3002							
					100000	2691	2535							
216		75mm	77426	58,281	20000	5382								
					30000	4693								
					40000	4270								
					60000	3736								
					100000	3136								
218		85mm	95371	74,023	20000									
					30000									
					40000									
					60000									
					100000									

* Slight interference fit required when operating on the right of the heavy line or in the shaded area

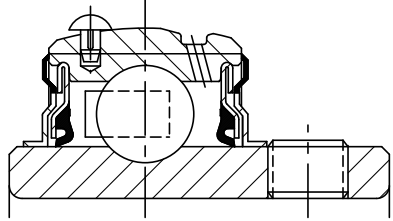
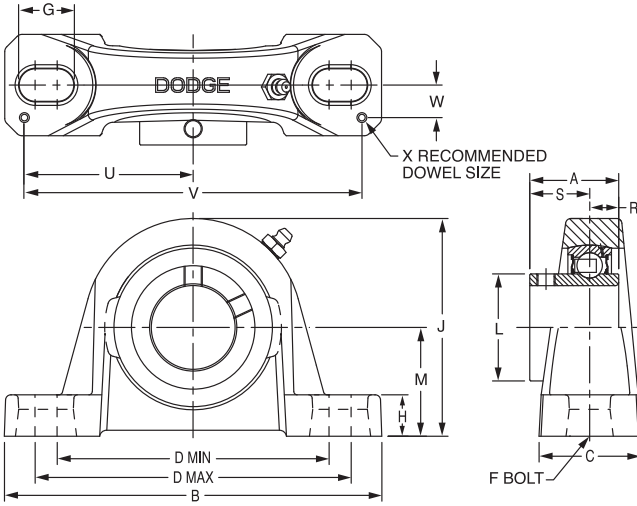
Note: Bearing analysis program "BEST" is available on www.ptwizard.com

FEATURES/BENEFITS PAGE B4-3	HOW TO ORDER/NOMENCLATURE PAGE B4-5	SELECTION/DIMENSIONS PAGE B4-12	ACCESSORIES PAGE B4-98
--------------------------------	--	------------------------------------	---------------------------



SELECTION/DIMENSIONS

Setscrew Ball Bearings SC AND SCU NORMAL DUTY PILLOW BLOCKS



Lube Fitting
203 series - 1/4-28 tapered thread
204 series and larger - 1/8-27 NPT

Series	Shaft Size	Standard		No-Lube/Seal for Life (-NL)	
		Part No.	Description	Part No.	Description
203	1/2	123830	P2B-SC-008	123932	P2B-SC-008-NL
	5/8	123831	P2B-SC-010	126500	P2B-SC-010-NL
	17mm	053170	P2B-SC-17M	@	P2B-SC-17M-NL
203 (SCU)	1/2	123753	P2B-SCU-008	@	P2B-SCU-008-NL
	5/8	123754	P2B-SCU-010	@	P2B-SCU-010-NL
	17mm	125850	P2B-SCU-17M	@	P2B-SCU-17M-NL
204	1/2	123835	P2B-SC-008L	052101	P2B-SC-008L-NL
	5/8	123836	P2B-SC-010L	@	P2B-SC-010L-NL
	3/4	123803	P2B-SC-012	052012	P2B-SC-012-NL
	20mm	125851	P2B-SC-20M	068372	P2B-SC-20M-NL
205	7/8	123804	P2B-SC-014	126502	P2B-SC-014-NL
	15/16	123805	P2B-SC-015	126503	P2B-SC-015-NL
	1	123806	P2B-SC-100	123824	P2B-SC-100-NL
	25mm	125852	P2B-SC-25M	056744	P2B-SC-25M-NL
206	1-1/16	123807	P2B-SC-101	126504	P2B-SC-101-NL
	1-1/8	123808	P2B-SC-102	126505	P2B-SC-102-NL
	1-3/16	123809	P2B-SC-103	123828	P2B-SC-103-NL
	1-1/4	123170	P2B-SC-104S	049852	P2B-SC-104S-NL
	30mm	125853	P2B-SC-30M	074162	P2B-SC-30M-NL
206 (SCU)	1-1/16	123877	P2B-SCU-101	@	P2B-SCU-101-NL
	1-1/8	123878	P2B-SCU-102	@	P2B-SCU-102-NL
	1-3/16	123879	P2B-SCU-103	050837	P2B-SCU-103-NL
	1-1/4	123894	P2B-SCU-104S	073282	P2B-SCU-104S-NL
	30mm	125854	P2B-SCU-30M	@	P2B-SCU-30M-NL
207	1-1/4	123810	P2B-SC-104	123933	P2B-SC-104-NL
	1-5/16	123811	P2B-SC-105	@	P2B-SC-105-NL
	1-3/8	123812	P2B-SC-106	123781	P2B-SC-106-NL
	1-7/16	123813	P2B-SC-107	123792	P2B-SC-107-NL
	35mm	125855	P2B-SC-35M	@	P2B-SC-35M-NL

@ Assembled to order.

FEATURES/BENEFITS PAGE B4-3	HOW TO ORDER/NOMENCLATURE PAGE B4-5	SELECTION PAGE B4-6	ACCESSORIES PAGE B4-98
--------------------------------	--	------------------------	---------------------------



SELECTION/DIMENSIONS

Setscrew Ball Bearings SC AND SCU NORMAL DUTY PILLOW BLOCKS

Bearing Reference Guide

ULTRA KLEEN

E-Z KLEEN

Extreme Duty

Setscrew Ball Bearing

GRIP TIGHT

D-LOK Ball Bearing

Series	Shaft Size	Wgt. lbs. kgs	A	B	C	D		F Bolt Dia.	G	H	J	L	M	R	S	U	V	W	X	
						Min	Max													
203	1/2	1.1	1.00	5.00	1.20	3.25	4.06	3/8	0.84	0.47	2.14	0.96	1.06	0.36	0.64	2.25	4.50	0.38	0.12	
	5/8	1.0																		
	17mm	0.4	25.4	127.0	30.5	82.6	103.1	M10	21.3	11.9	54.4	24.4	27.0	9.1	16.3	57.2	114.3	9.7	3.0	
203 SCU	1/2	1.2	1.00	5.00	1.20	3.25	4.06	3/8	0.84	0.59	2.27	0.96	1.19	0.36	0.64	2.25	4.50	0.38	0.12	
	5/8	1.0																		
	17mm	0.4	25.4	127.0	30.5	82.6	103.1	M10	21.3	15.0	57.7	24.4	30.2	9.1	16.3	57.2	114.3	9.7	3.0	
204	1/2	1.6	1.23	5.25	1.34	3.38	4.19	3/8	0.85	0.53	2.56	1.12	1.31	0.50	0.73	2.25	4.50	0.50	0.12	
	5/8	1.5																		
	3/4	1.4																		
205	20mm	0.7	31.2	133.4	34.0	85.9	106.4	M10	21.6	13.5	65.0	28.4	33.3	12.7	18.5	57.2	114.3	12.7	3.0	
	7/8	1.8	1.34	5.50	1.40	3.69	4.50	3/8	0.85	0.58	2.77	1.32	1.44	0.56	0.78	2.50	5.00	0.50	0.12	
	15/16	1.7																		
206	1	1.6																		
	25mm	0.7	34.0	139.7	35.6	93.7	114.3	M10	21.6	14.7	70.4	33.5	36.5	14.2	19.8	63.5	127.0	12.7	3.0	
	1-1/16	2.8	1.52	6.25	1.75	4.25	5.00	1/2	0.94	0.68	3.25	1.57	1.63	0.58	0.94	2.88	5.76	0.56	0.12	
206 SCU	1-1/8	2.7																		
	1-3/16	2.6																		
	1-1/4	2.5																		
207	30mm	1.1	38.6	158.8	44.5	108.0	127.0	M12	23.9	17.3	82.6	39.9	41.3	14.7	23.9	73.2	146.3	14.2	3.0	
	1-1/16	2.9	1.52	6.25	1.75	4.25	5.00	1/2	0.94	0.75	3.31	1.57	1.69	0.58	0.94	2.88	5.76	0.56	0.12	
	1-1/8	2.8																		
207	1-3/16	2.7																		
	1-1/4	2.6																		
	30mm	1.1	38.6	158.8	44.5	108.0	127.0	M12	23.9	19.1	84.1	39.9	42.9	14.7	23.9	73.2	146.3	14.2	3.0	
	1-1/4	4.5	1.71	6.50	1.75	4.68	5.44	1/2	0.94	0.71	3.75	1.84	1.88	0.67	1.04	2.91	5.82	0.56	0.12	
207	1-5/16	4.4																		
	1-3/8	4.3																		
	1-7/16	4.2																		
	35mm	1.5	43.4	165.1	44.5	118.9	138.2	M12	23.9	18.0	95.3	46.7	47.6	17.0	26.4	73.9	147.8	14.2	3.0	

FEATURES/BENEFITS PAGE B4-3	HOW TO ORDER/NOMENCLATURE PAGE B4-5	SELECTION PAGE B4-6	ACCESSORIES PAGE B4-98
--------------------------------	--	------------------------	---------------------------

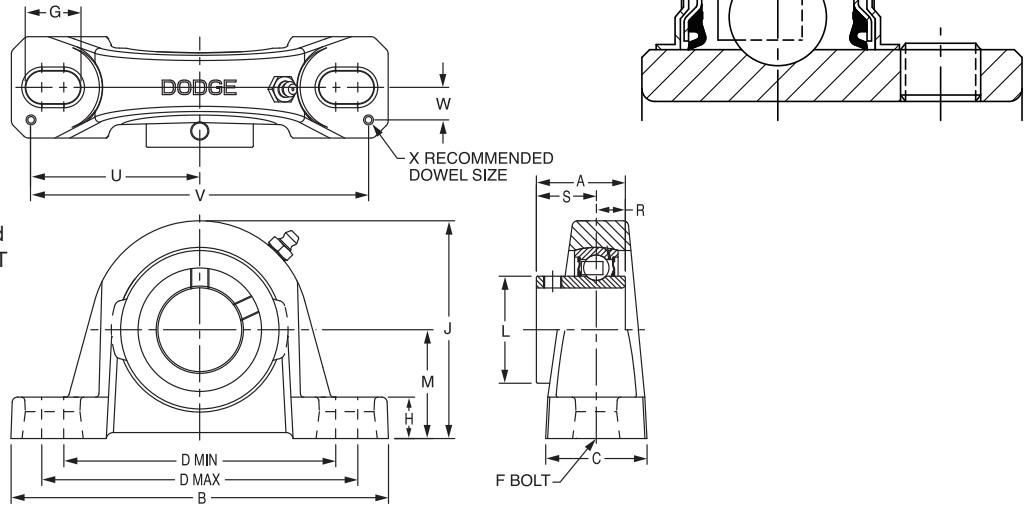
SELECTION/DIMENSIONS



Setscrew Ball Bearings SC AND SCU NORMAL DUTY PILLOW BLOCKS

Lube Fitting

203 series - 1/4-28 tapered thread
204 series and larger - 1/8-27 NPT



Series	Shaft Size	Standard		No-Lube/Sealed for Life (-NL)	
		Part No.	Description	Part No.	Description
208	1-1/2	123814	P2B-SC-108	123829	P2B-SC-108-NL
	1-5/8	123815	P2B-SC-110	126510	P2B-SC-110-NL
	40mm	056855	P2B-SC-40M	067679	P2B-SC-40M-NL
209	1-5/8	125169	P2B-SC-110L	073381	P2B-SC-110L-NL
	1-11/16	123816	P2B-SC-111	123784	P2B-SC-111-NL
	1-3/4	123817	P2B-SC-112	123782	P2B-SC-112-NL
	45mm	125857	P2B-SC-45M	067925	P2B-SC-45M-NL
210	1-15/16	123818	P2B-SC-115	123793	P2B-SC-115-NL
	2	123819	P2B-SC-200	123939	P2B-SC-200-NL
	50mm	125858	P2B-SC-50M	058702	P2B-SC-50M-NL
211	2	126815	P2B-SCM-200	126547	P2B-SCM-200-NL
	2-3/16	123820	P2B-SC-203	123783	P2B-SC-203-NL
	2-1/4	123821	P2B-SC-204	126513	P2B-SC-204-NL
	55mm	125859	P2B-SC-55M	@	P2B-SC-55M-NL
212	2-1/4	126817	P2B-SCM-204	@	P2B-SCM-204-NL
	2-7/16	123822	P2B-SC-207	123987	P2B-SC-207-NL
	60mm	125860	P2B-SC-60M	062162	P2B-SC-60M-NL
214	2-1/2	126819	P2B-SCM-208	062178	P2B-SCM-208-NL
	2-11/16	123839	P2B-SC-211	068603	P2B-SC-211-NL
	70mm	125861	P2B-SC-70M	126548	P2B-SC-70M-NL
215	2-15/16	123823	P2B-SC-215	123636	P2B-SC-215-NL
	75mm	125862	P2B-SC-75M	@	P2B-SC-75M-NL
215 (SCU)	2-15/16	123728	P2B-SCU-215	@	P2B-SCU-215-NL
	75mm	052792	P2B-SCU-75M	@	P2B-SCU-75M-NL
218	90mm	052794	P2B-SC-90M	@	P2B-SC-90M-NL

@Assembled to order

FEATURES/BENEFITS PAGE B4-3	HOW TO ORDER/NOMENCLATURE PAGE B4-5	SELECTION PAGE B4-6	ACCESSORIES PAGE B4-98
--------------------------------	--	------------------------	---------------------------



SELECTION/DIMENSIONS

Setscrew Ball Bearings SC AND SCU NORMAL DUTY PILLOW BLOCKS

Bearing Reference Guide

ULTRA KLEEN

E-Z KLEEN

Extreme Duty

Setscrew Ball Bearing

GRIP TIGHT

D-LOK Ball Bearing

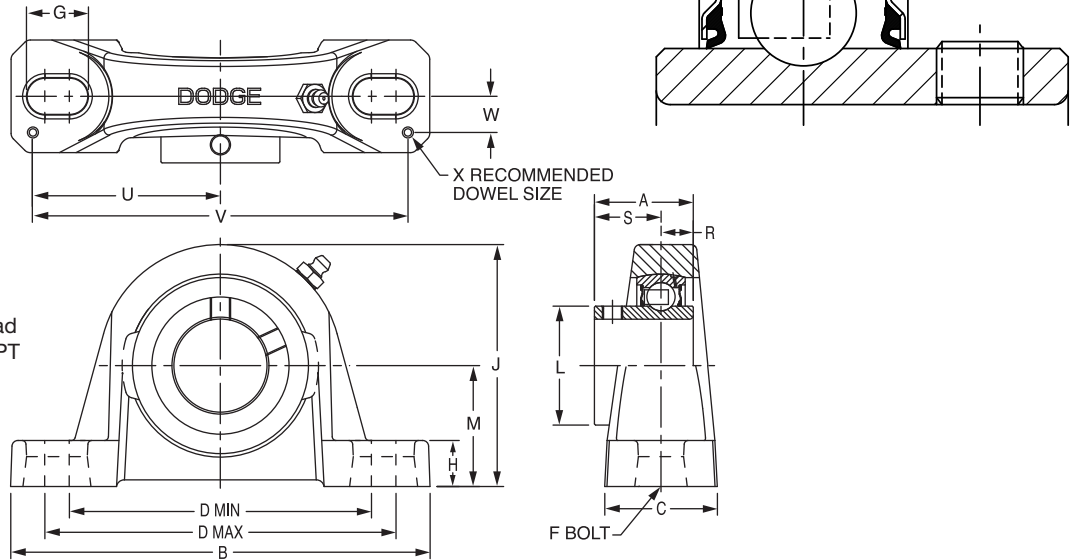
Series	Shaft Size	Wgt. lbs. kgs	A	B	C	D		F Bolt Dia.	G	H	J	L	M	R	S	U	V	W	X	
						Min	Max													
208	1-1/2	5.4	1.94	7.25	1.93	5.18	5.88	1/2	0.91	0.93	4.19	2.05	2.13	0.75	1.19	3.26	6.52	0.69	0.12	
	1-5/8	5.3																		
	40mm	2.2	49.3	184.2	49.0	131.6	149.4	M12	23.1	23.6	106.4	52.1	54.0	19.1	30.2	82.8	165.6	17.5	3.0	
209	1-5/8	6.6	1.94	7.44	2.00	5.50	6.19	1/2	0.90	0.75	4.28	2.22	2.13	0.75	1.19	3.38	6.76	0.69	0.12	
	1-11/16	6.4																		
	1-3/4	6.2																		
	45mm	2.2	49.3	189.0	50.8	139.7	157.2	M12	22.9	19.1	108.7	56.4	54.0	19.1	30.2	85.9	171.7	17.5	3.0	
210	1-15/16	7.2	1.94	8.12	2.25	6.00	6.68	5/8	1.02	0.75	4.53	2.43	2.25	0.75	1.19	3.69	7.38	0.81	0.12	
	2	7.0																		
	50mm	2.6	49.3	206.2	57.2	152.4	169.7	M16	25.9	19.1	115.1	61.7	57.2	19.1	30.2	93.7	187.5	20.6	3.0	
211	2	9.0	2.22	8.88	2.30	6.38	7.44	5/8	1.21	0.88	4.96	2.71	2.50	0.87	1.35	3.94	7.88	0.81	0.12	
	2-3/16	8.9																		
	2-1/4	8.8																		
	55mm	3.3	56.4	225.6	58.4	162.1	189.0	M16	30.7	22.4	126.0	68.8	63.5	22.1	34.3	100.1	200.2	20.6	3.0	
212	2-1/4	10.8	2.31	9.50	2.37	6.88	7.94	5/8	1.21	0.88	5.40	2.97	2.75	0.90	1.41	4.25	8.50	0.88	0.12	
	2-7/16	10.2																		
	60mm	4.2	58.7	241.3	60.2	174.8	201.7	M16	30.7	22.4	137.2	75.4	69.9	22.9	35.8	108.0	215.9	22.4	3.0	
214	2-1/2	15.5	2.54	10.75	2.69	7.50	8.50	3/4	1.32	0.94	6.09	3.31	3.00	1.06	1.48	4.88	9.76	0.94	0.12	
	2-11/16	15.0																		
	70mm	6.9	64.5	273.1	68.3	190.5	215.9	M18	33.5	23.9	154.7	84.1	76.2	26.9	37.6	124.0	247.9	23.9	3.0	
215	2-15/16	20.5	2.33	11.75	2.88	8.50	9.50	7/8	1.44	1.00	6.75	3.62	3.50	0.86	1.47	5.48	10.96	1.04	0.12	
	75mm	7.9	59.2	298.5	73.2	215.9	241.3	M22	36.6	25.4	171.5	91.9	88.9	21.8	37.3	139.2	278.4	26.4	3.0	
215 SCU	2-15/16	20.7	2.33	11.75	2.88	8.50	9.50	7/8	1.44	1.00	6.50	3.62	3.25	0.86	1.47	5.48	10.96	1.04	0.12	
218	75mm	8.0	59.2	298.5	73.2	215.9	241.3	M22	36.6	25.4	165.1	91.9	82.6	21.8	37.3	139.2	278.4	26.4	3.0	
218	90mm	13.6	65.0	355.6	85.9	262.1	295.1	M22	40.4	33.3	203.2	110.5	101.6	24.4	40.6	167.6	335.3	30.2	3.0	

FEATURES/BENEFITS PAGE B4-3	HOW TO ORDER/NOMENCLATURE PAGE B4-5	SELECTION PAGE B4-6	ACCESSORIES PAGE B4-98
--------------------------------	--	------------------------	---------------------------

SELECTION/DIMENSIONS



Setscrew Ball Bearings SCAH AND SCUAH AIR HANDLING NORMAL DUTY PILLOW BLOCKS



Lube Fitting
203 series - 1/4-28 tapered thread
204 series and larger - 1/8-27 NPT

Series	Shaft Size	Part No.	Description
203	1/2	123725	P2B-SCAH-008
	5/8	123958	P2B-SCAH-010
	17mm	075329	P2B-SCAH-17M
203 (SCU)	1/2	@	P2B-SCUAH-008
	5/8	067742	P2B-SCUAH-010
	17mm	@	P2B-SCUAH-17M
204	1/2	@	P2B-SCAH-008L
	5/8	123790	P2B-SCAH-010L
	3/4	123904	P2B-SCAH-012
	20mm	056606	P2B-SCAH-20M
205	7/8	064450	P2B-SCAH-014
	15/16	123903	P2B-SCAH-015
	1	123905	P2B-SCAH-100
	25mm	053718	P2B-SCAH-25M
206	1-1/16	@	P2B-SCAH-101
	1-1/8	123919	P2B-SCAH-102
	1-3/16	123906	P2B-SCAH-103
	1-1/4	073724	P2B-SCAH-104S
	30mm	067652	P2B-SCAH-30M
206 (SCU)	1-1/16	@	P2B-SCUAH-101
	1-1/8	049690	P2B-SCUAH-102
	1-3/16	123916	P2B-SCUAH-103
	1-1/4	123183	P2B-SCUAH-104S
	30mm	059785	P2B-SCUAH-30M
207	1-1/4	123907	P2B-SCAH-104
	1-5/16	@	P2B-SCAH-105
	1-3/8	050792	P2B-SCAH-106
	1-7/16	123908	P2B-SCAH-107
	35mm	053717	P2B-SCAH-35M

@ Assembled to order

FEATURES/BENEFITS PAGE B4-3	HOW TO ORDER/NOMENCLATURE PAGE B4-5	SELECTION PAGE B4-6	ACCESSORIES PAGE B4-98
--------------------------------	--	------------------------	---------------------------

SELECTION/DIMENSIONS



Setscrew Ball Bearings SCAH AND SCUAH AIR HANDLING NORMAL DUTY PILLOW BLOCKS

Bearing Reference Guide

ULTRA KLEEN

E-Z KLEEN

Extreme Duty

Setscrew Ball Bearing

GRIP TIGHT

D-LOK Ball Bearing

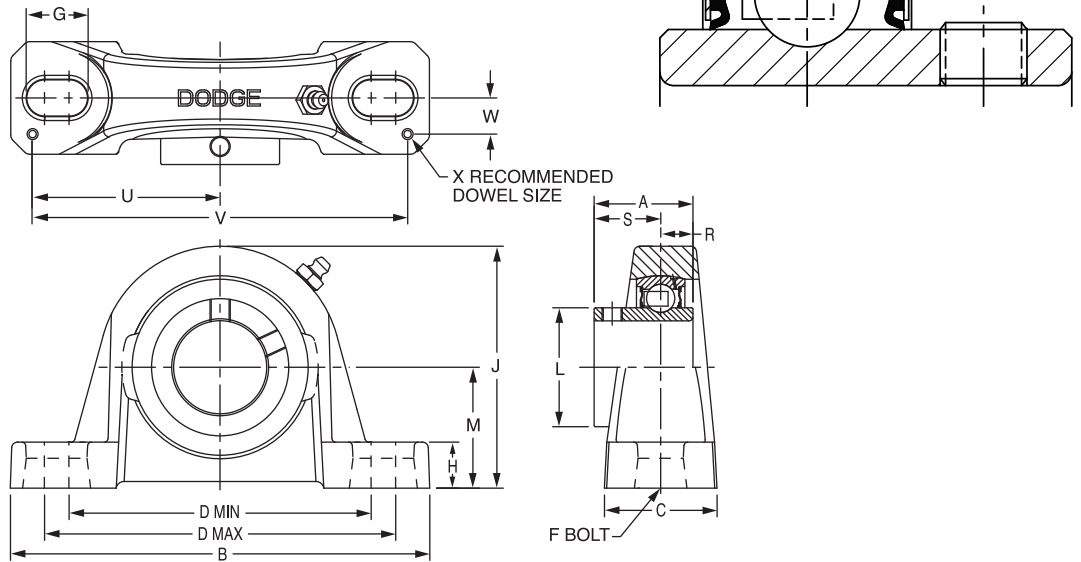
Series	Shaft Size	Wgt. lbs kgs.	A	B	C	D		F Bolt Dia.	G	H	J	L	M	R	S	U	V	W	X	
						Min	Max													
203	1/2	1.1	1.00	5.00	1.20	3.25	4.06	3/8	0.84	0.47	2.14	0.96	1.06	0.36	0.64	2.25	4.50	0.38	0.12	
	5/8	1.0																		
	17mm	0.4	25.4	127.0	30.5	82.6	103.1	M10	21.3	11.9	54.4	24.4	27.0	9.1	16.3	57.2	114.3	9.7	3.0	
203 SCU	1/2	1.2	1.00	5.00	1.20	3.25	4.06	3/8	0.84	0.59	2.27	0.96	1.19	0.36	0.64	2.25	4.50	0.38	0.12	
	5/8	1.0																		
	17mm	0.4	25.4	127.0	30.5	82.6	103.1	M10	21.3	15.0	57.7	24.4	30.2	9.1	16.3	57.2	114.3	9.7	3.0	
204	1/2	1.6	1.23	5.25	1.34	3.38	4.19	3/8	0.85	0.53	2.56	1.12	1.31	0.50	0.73	2.25	4.50	0.50	0.12	
	5/8	1.5																		
	3/4	1.4																		
	20mm	0.7	31.2	133.4	34.0	85.9	106.4	M10	21.6	13.5	65.0	28.4	33.3	12.7	18.5	57.2	114.3	12.7	3.0	
205	7/8	1.8	1.34	5.50	1.40	3.69	4.50	3/8	0.85	0.58	2.77	1.32	1.44	0.56	0.78	2.50	5.00	0.50	0.12	
	15/16	1.7																		
	1	1.6																		
	25mm	0.7	34.0	139.7	35.6	93.7	114.3	M10	21.6	14.7	70.4	33.5	36.5	14.2	19.8	63.5	127.0	12.7	3.0	
206	1-1/16	2.8	1.52	6.25	1.75	4.25	5.00	1/2	0.94	0.68	3.25	1.57	1.63	0.58	0.94	2.88	5.76	0.56	0.12	
	1-1/8	2.7																		
	1-3/16	2.6																		
	1-1/4	2.5																		
	30mm	101	38.6	158.8	44.5	108.0	127.0	M12	23.9	17.3	82.6	39.9	41.3	14.7	23.9	73.2	146.3	14.2	3.0	
206 SCU	1-1/16	2.9	1.52	6.25	1.75	4.25	5.00	1/2	0.94	0.75	3.31	1.57	1.69	0.58	0.94	2.88	5.76	0.56	0.12	
	1-1/8	2.8																		
	1-3/16	2.7																		
	1-1/4	2.6																		
	30mm	1.1	38.6	158.8	44.5	108.0	127.0	M12	23.9	19.1	84.1	39.9	42.9	14.7	23.9	73.2	146.3	14.2	3.0	
207	1-1/4	4.5	1.71	6.50	1.75	4.68	5.44	1/2	0.94	0.71	3.75	1.84	1.88	0.67	1.04	2.91	5.82	0.56	0.12	
	1-5/16	4.4																		
	1-3/8	4.3																		
	1-7/16	4.2																		
	35mm	1.5	43.4	165.1	44.5	118.9	138.2	M12	23.9	18.0	95.3	46.7	47.6	17.0	26.4	73.9	147.8	14.2	3.0	

FEATURES/BENEFITS PAGE B4-3	HOW TO ORDER/NOMENCLATURE PAGE B4-5	SELECTION PAGE B4-6	ACCESSORIES PAGE B4-98
--------------------------------	--	------------------------	---------------------------

SELECTION/DIMENSIONS



Setscrew Ball Bearings SCAH AND SCUAH AIR HANDLING NORMAL DUTY PILLOW BLOCKS



Lube Fitting

203 series - 1/4-28 tapered thread
204 series and larger - 1/8-27 NPT

Series	Shaft Size	Part No.	Description
208	1-1/2	123909	P2B-SCAH-108
	1-5/8	056750	P2B-SCAH-110
	40mm	073992	P2B-SCAH-40M
209	1-5/8	064689	P2B-SCAH-110L
	1-11/16	123910	P2B-SCAH-111
	1-3/4	123911	P2B-SCAH-112
	45mm	052413	P2B-SCAH-45M
210	1-15/16	123912	P2B-SCAH-115
	2	@	P2B-SCAH-200
	50mm	052414	P2B-SCAH-50M
211	2	126847	P2B-SCMAH-200
	2-3/16	123913	P2B-SCAH-203
	2-1/4	@	P2B-SCAH-204
	55mm	@	P2B-SCAH-55M
212	2-1/4	@	P2B-SCMAH-204
	2-7/16	123914	P2B-SCAH-207
	60mm	054009	P2B-SCAH-60M
214	2-1/2	@	P2B-SCMAH-208
	2-11/16	124872	P2B-SCAH-211
	70mm	@	P2B-SCAH-70M
215	2-15/16	123915	P2B-SCAH-215
	75mm	@	P2B-SCAH-75M
215 (SCU)	2-15/16	@	P2B-SCUAH-215
	75mm	@	P2B-SCUAH-75M

@ Assembled to order

FEATURES/BENEFITS PAGE B4-3	HOW TO ORDER/NOMENCLATURE PAGE B4-5	SELECTION PAGE B4-6	ACCESSORIES PAGE B4-98
--------------------------------	--	------------------------	---------------------------



SELECTION/DIMENSIONS

Setscrew Ball Bearings SCAH AND SCUAH AIR HANDLING NORMAL DUTY PILLOW BLOCKS

Bearing Reference Guide

ULTRA KLEEN

E-Z KLEEN

Extreme Duty

Setscrew Ball Bearing

GRIP TIGHT

D-LOK Ball Bearing

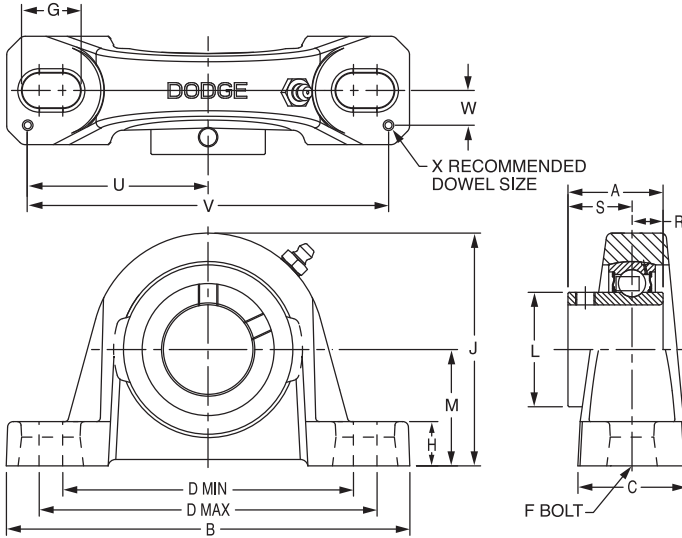
Series	Shaft Size	Wgt. lbs kgs.	A	B	C	D		F Bolt Dia.	G	H	J	L	M	R	S	U	V	W	X
						Min	Max												
208	1-1/2	5.4	1.94	7.25	1.93	5.18	5.88	1/2	0.91	0.93	4.19	2.05	2.13	0.75	1.19	3.26	6.52	0.69	0.12
	1-5/8	5.3																	
	40mm	2.2	49.3	184.2	49.0	131.6	149.4	M12	23.1	23.6	106.4	52.1	54.0	19.1	30.2	82.8	165.6	17.5	3.0
209	1-5/8	6.6	1.94	7.44	2.00	5.50	6.19	1/2	0.90	0.75	4.28	2.22	2.13	0.75	1.19	3.38	6.76	0.69	0.12
	1-11/16	6.4																	
	1-3/4	6.2																	
210	45mm	2.2	49.3	189.0	50.8	139.7	157.2	M12	22.9	19.1	108.7	56.4	54.0	19.1	30.2	85.9	171.7	17.5	3.0
	1-15/16	7.2	1.94	8.12	2.25	6.00	6.68	5/8	1.02	0.75	4.53	2.43	2.25	0.75	1.19	3.69	7.38	0.81	0.12
	2	7.0																	
211	50mm	2.6	49.3	206.2	57.2	152.4	169.7	M16	25.9	19.1	115.1	61.7	57.2	19.1	30.2	93.7	187.5	20.6	3.0
	2	9.0	2.22	8.88	2.30	6.38	7.44	5/8	1.21	0.88	4.96	2.71	2.50	0.87	1.35	3.94	7.88	0.81	0.12
	2-3/16	8.9																	
212	2-1/4	8.8																	
	55mm	3.3	56.4	225.6	58.4	162.1	189.0	M16	30.7	22.4	126.0	68.8	63.5	22.1	34.3	100.1	200.2	20.6	3.0
	2-1/4	10.8	2.31	9.50	2.37	6.88	7.94	5/8	1.21	0.88	5.40	2.97	2.75	0.90	1.41	4.25	8.50	0.88	0.12
214	2-7/16	10.2																	
	60mm	4.2	58.7	241.3	60.2	174.8	201.7	M16	30.7	22.4	137.2	75.4	69.9	22.9	35.8	108.0	215.9	22.4	3.0
	2-1/2	15.5	2.54	10.75	2.69	7.50	8.50	3/4	1.32	0.94	6.09	3.31	3.00	1.06	1.48	4.88	9.76	0.94	0.12
215	2-11/16	1.50																	
	70mm	6.9	64.5	273.1	68.3	190.5	215.9	M18	33.5	23.9	154.7	84.1	76.2	26.9	37.6	124.0	247.9	23.9	3.0
	2-15/16	20.5	2.33	11.75	2.88	8.50	9.50	7/8	1.44	1.00	6.75	3.62	3.50	0.86	1.47	5.48	10.96	1.04	0.12
215 SCU	75mm	7.9	59.2	298.5	73.2	215.9	241.3	M22	36.6	25.4	171.5	91.9	88.9	21.8	37.3	139.2	278.4	26.4	3.0
	2-15/16	20.7	2.33	11.75	2.88	8.50	9.50	7/8	1.44	1.00	6.50	3.62	3.25	0.86	1.47	5.48	10.96	1.04	0.12
	75mm	8.0	59.2	298.5	73.2	215.9	241.3	M22	36.6	25.4	165.1	91.9	82.6	21.8	37.3	139.2	278.4	26.4	3.0

FEATURES/BENEFITS PAGE B4-3	HOW TO ORDER/NOMENCLATURE PAGE B4-5	SELECTION PAGE B4-6	ACCESSORIES PAGE B4-98
--------------------------------	--	------------------------	---------------------------

SELECTION/DIMENSIONS

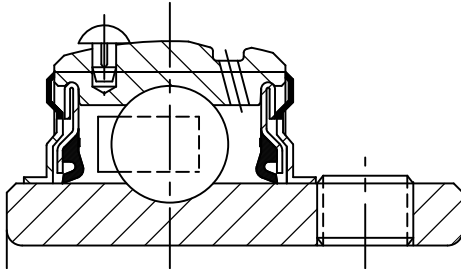


Setscrew Ball Bearings SCB NORMAL DUTY PILLOW BLOCKS



Lube Fitting

203 series - 1/4-28 tapered thread
204 series and larger - 1/8-27 NPT



Series	Shaft Size	Part No.	Description
203 (SC)	1/2	123830	P2B-SC-008
	5/8	123831	P2B-SC-010
	17mm	053170	P2B-SC-17M
204	1/2	123854	P2B-SCB-008L
	5/8	123855	P2B-SCB-010L
	3/4	123860	P2B-SCB-012
	20mm	124941	P2B-SCB-20M
205	7/8	123861	P2B-SCB-014
	15/16	123862	P2B-SCB-015
	1	123863	P2B-SCB-100
	25mm	125768	P2B-SCB-25M
206	1-1/16	123856	P2B-SCB-101
	1-1/8	123864	P2B-SCB-102
	1-3/16	123865	P2B-SCB-103
	1-1/4	123171	P2B-SCB-104S
	30mm	125760	P2B-SCB-30M
207	1-1/4	123866	P2B-SCB-104
	1-5/16	123857	P2B-SCB-105
	1-3/8	123867	P2B-SCB-106
	1-7/16	123868	P2B-SCB-107
	35mm	124944	P2B-SCB-35M
208	1-1/2	123869	P2B-SCB-108
	1-5/8	123858	P2B-SCB-110
	40mm	125856	P2B-SCB-40M
209	1-5/8	068760	P2B-SCB-110L
	1-11/16	123870	P2B-SCB-111
	1-3/4	123871	P2B-SCB-112
	45mm	051878	P2B-SCB-45M
210	1-15/16	123872	P2B-SCB-115
	2	123873	P2B-SCB-200
	50mm	051879	P2B-SCB-50M
211	2	057603	P2B-SCB-200L
	2-3/16	123874	P2B-SCB-203
	2-1/4	123589	P2B-SCB-204
	55mm	124943	P2B-SCB-55M
212	2-1/4	068361	P2B-SCB-204L
	2-7/16	123875	P2B-SCB-207
	60mm	051880	P2B-SCB-60M
215	2-15/16	123727	P2B-SCB-215
	75mm	@	P2B-SCB-75M

@ Assembled to order.

FEATURES/BENEFITS PAGE B4-3	HOW TO ORDER/NOMENCLATURE PAGE B4-5	SELECTION PAGE B4-6	ACCESSORIES PAGE B4-98
--------------------------------	--	------------------------	---------------------------

SELECTION/DIMENSIONS



Setscrew Ball Bearings SCB NORMAL DUTY PILLOW BLOCKS

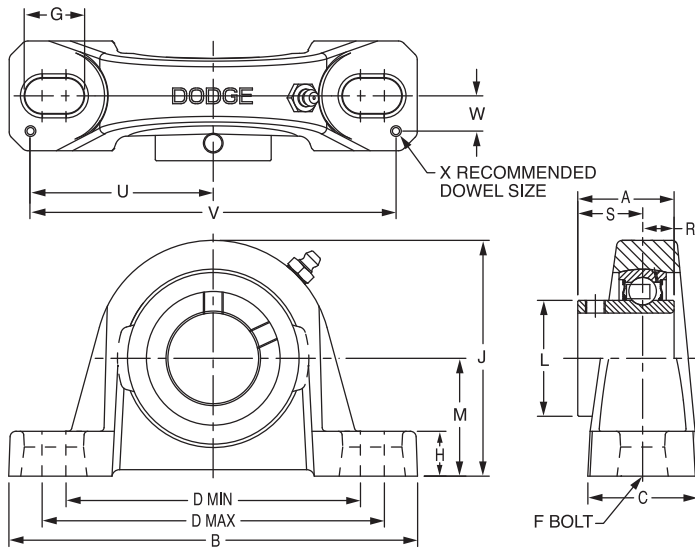
Series	Shaft Size	Weight lbs. kgs.	A	B	C	D		F Bolt Dia	G	H	J	L	M	R	S	U	V	W	X
						Min	Max												
203 SC	1/2	1.1	1.00	5.00	1.20	3.25	4.06	3/8	0.84	0.47	2.14	0.96	1.06	0.36	0.64	2.25	4.50	0.38	0.12
	5/8	1.0																	
	17mm	0.4	25.4	127.0	30.5	82.6	103.1	M10	21.3	11.9	54.4	24.4	26.9	9.1	16.3	57.2	114.3	9.7	3.0
204	1/2	1.6	1.23	5.25	1.34	3.38	4.19	3/8	0.85	0.47	2.49	1.12	1.25	0.50	0.73	2.25	4.50	0.50	0.12
	5/8	1.5																	
	3/4	1.4																	
	20mm	0.7	31.2	133.4	34.0	85.9	106.4	M10	21.6	11.9	63.2	28.4	31.8	12.7	18.5	57.2	114.3	12.7	3.0
205	7/8	1.8	1.34	5.50	1.40	3.69	4.50	3/8	0.85	0.45	2.64	1.32	1.31	0.56	0.78	2.50	5.00	0.50	0.12
	15/16	1.7																	
	1	1.6																	
	25mm	.07	34.0	139.7	35.6	93.7	114.3	M10	21.6	11.4	67.1	33.5	33.3	14.2	19.8	63.5	127.0	12.7	3.0
206	1-1/16	2.8	1.52	6.25	1.75	4.25	5.00	1/2	0.94	0.62	3.19	1.57	1.56	0.58	0.94	2.88	5.76	0.56	0.12
	1-1/8	2.7																	
	1-3/16	2.6																	
	1-1/4	2.5																	
	30mm	1.1	38.6	158.8	44.5	108.0	127.0	M12	23.9	15.8	81.0	39.9	39.6	14.7	23.9	73.2	146.3	14.2	3.0
207	1-1/4	4.5	1.71	6.50	1.75	4.68	5.44	1/2	0.94	0.65	3.69	1.84	1.81	0.67	1.04	2.91	5.82	0.56	0.12
	1-5/16	4.4																	
	1-3/8	45.3																	
	1-7/16	4.2																	
	35mm	1.5	43.4	165.1	44.5	118.9	138.2	M12	23.9	16.5	93.7	46.7	46.0	17.0	26.4	73.9	147.8	14.2	3.0
208	1-1/2	5.4	1.94	7.25	1.93	5.18	5.88	1/2	0.91	0.75	4.00	2.05	1.94	0.75	1.19	3.26	6.52	0.69	0.12
	1-5/8	5.3																	
	40mm	2.2	49.3	184.2	49.0	131.6	149.4	M12	23.1	19.1	101.6	52.1	49.3	19.1	30.2	82.8	165.6	17.5	3.0
209	1-5/8	6.6	1.94	7.44	2.00	5.50	6.19	1/2	0.90	0.69	4.21	2.22	2.06	0.75	1.19	3.38	6.76	0.69	0.12
	1-11/16	6.4																	
	1-3/4	6.2																	
	45mm	2.2	49.3	189.0	50.8	139.7	157.2	M12	22.9	17.5	106.9	56.4	52.3	19.1	30.2	85.9	171.7	17.5	3.0
210	1-15/16	78.2	1.94	8.12	2.25	6.00	6.68	5/8	1.02	0.68	4.47	2.43	2.19	0.75	1.19	3.69	7.38	0.81	0.12
	2	7.0																	
	50mm	2.6	49.3	206.2	57.2	152.4	169.7	M16	25.9	17.3	113.5	61.7	55.6	19.1	30.2	93.7	187.5	20.6	3.0
211	2	9.0	2.22	8.88	2.30	6.38	7.44	5/8	1.21	0.81	4.90	2.71	2.44	0.87	1.35	3.94	7.88	0.81	0.12
	2-3/16	8.9																	
	2-1/4	8.8																	
	55mm	3.3	56.4	225.6	58.4	162.1	189.0	M16	30.7	20.6	124.5	68.8	62.0	22.1	34.3	100.1	200.2	20.6	3.0
212	2-1/4	10.8	2.31	9.50	2.37	6.88	7.94	5/8	1.21	0.81	5.34	2.97	2.69	0.90	1.41	4.25	8.50	0.88	0.12
	2-7/16	10.2																	
	60mm	4.2	58.7	241.3	60.2	174.8	201.7	M16	30.7	20.6	135.6	75.4	68.3	22.9	35.8	108.0	215.9	22.4	3.0
215	2-15/16	20.5	2.33	11.75	2.88	8.50	9.50	7/8	1.44	1.06	6.56	3.62	3.31	0.86	1.47	5.48	10.96	1.04	0.12
	75mm	7.9	59.2	298.5	73.2	215.9	241.3	M22	36.6	26.9	166.6	91.9	84.1	21.8	37.3	139.2	278.4	26.4	3.0

FEATURES/BENEFITS PAGE B4-3	HOW TO ORDER/NOMENCLATURE PAGE B4-5	SELECTION PAGE B4-6	ACCESSORIES PAGE B4-98
--------------------------------	--	------------------------	---------------------------



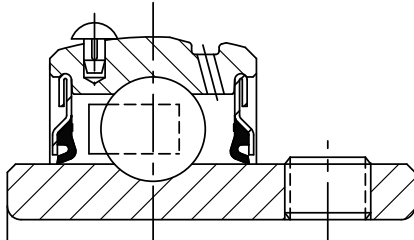
SELECTION/DIMENSIONS

Setscrew Ball Bearings SCBAH AIR HANDLING NORMAL DUTY PILLOW BLOCKS



Lube Fitting

203 series - 1/4-28 tapered thread
204 series and larger - 1/8-27 NPT



Series	Shaft Size	Part No.	Description
203	1/2	123725	P2B-SCAH-008
	5/8	123958	P2B-SCAH-010
	17mm	@	P2B-SCAH-17M
204	1/2	@	P2B-SCBAH-008L
	5/8	068307	P2B-SCBAH-010L
	3/4	123959	P2B-SCBAH-012
205	20mm	@	P2B-SCBAH-20M
	7/8	@	P2B-SCBAH-014
	15/16	@	P2B-SCBAH-015
206	1	123960	P2B-SCBAH-100
	25mm	@	P2B-SCBAH-25M
	1-1/16	@	P2B-SCBAH-101
207	1-1/8	@	P2B-SCBAH-102
	1-3/16	123961	P2B-SCBAH-103
	1-1/4	123962	P2B-SCBAH-104S
	30mm	@	P2B-SCBAH-30M
	1-1/4	123963	P2B-SCBAH-104
208	1-5/16	@	P2B-SCBAH-105
	1-3/8	@	P2B-SCBAH-106
	1-7/16	123918	P2B-SCBAH-107
209	35mm	@	P2B-SCBAH-35M
	1-1/2	123936	P2B-SCBAH-108
	1-5/8	@	P2B-SCBAH-110
210	40mm	054727	P2B-SCBAH-40M
	1-5/8	065774	P2B-SCBAH-110L
	1-11/16	123964	P2B-SCBAH-111
211	1-3/4	@	P2B-SCBAH-112
	45mm	@	P2B-SCBAH-45M
	1-15/16	123938	P2B-SCBAH-115
212	2	123693	P2B-SCBAH-200
	50mm	@	P2B-SCBAH-50M
	2	@	P2B-SCBAH-200L
213	2/3/16	123965	P2B-SCBAH-203
	2-1/4	@	P2B-SCBAH-204
	55mm	@	P2B-SCBAH-55M
214	2-1/4	@	P2B-SCBAH-204L
	2-7/16	123966	P2B-SCBAH-207
	60mm	@	P2B-SCBAH-60M
215	2-15/16	@	P2B-SCBAH-215
	75mm	@	P2B-SCBAH-75M

@ Assembled to order

SELECTION/DIMENSIONS



Setscrew Ball Bearings SCBAH AIR HANDLING NORMAL DUTY PILLOW BLOCKS

Series	Shaft Size	Weight lbs kgs	A	B	C	D		F Bolt Dia.	G	H	J	L	M	R	S	U	V	W	X	
						Min.	Max.													
203	1/2	1.1	1.00	5.00	1.20	3.25	4.06	3/8	0.84	0.47	2.14	0.96	1.06	0.36	0.64	2.25	4.50	0.38	0.12	
	5/8	1.0																		
	17mm	0.4	25.4	127.0	30.5	82.6	103.1	M10	21.3	11.9	54.4	24.4	26.9	9.1	16.3	57.2	114.3	9.7	3.0	
204	1/2	1.6	1.23	5.25	1.34	3.38	4.19	3/8	0.85	0.47	2.49	1.12	1.25	0.50	0.73	2.25	4.50	0.50	0.12	
	5/8	1.5																		
	3/4	1.4																		
	20mm	0.7	31.2	133.4	34.04	85.9	106.4	M10	21.6	11.9	63.3	28.5	31.8	12.7	18.5	57.2	114.3	12.7	3.1	
205	7/8	1.8	1.34	5.50	1.40	3.69	4.50	3/8	0.85	0.45	2.64	1.32	1.31	0.56	0.78	2.50	5.00	0.50	0.12	
	15/16	1.7																		
	1	1.6																		
	25mm	0.7	34.0	139.7	35.6	93.7	114.3	M10	21.6	11.4	67.1	33.5	33.3	14.2	19.8	63.5	127	12.7	3.1	
206	1-1/16	2.8	1.52	6.25	1.75	4.25	5.00	1/2	0.94	0.623	3.19	1.57	1.56	0.58	0.94	2.88	5.76	0.56	0.12	
	1-1/8	2.7																		
	1-3/16	2.6																		
	1-1/4	2.5																		
	30mm	1.1	38.6	158.8	44.5	108.0	127.0	M12	23.9	15.8	81.0	39.9	39.6	14.7	23.9	73.2	146.3	14.2	3.1	
207	1-1/4	4.5	1.71	6.50	1.75	4.68	5.44	1/2	0.94	0.65	3.69	1.84	1.81	0.67	1.04	2.91	5.82	0.56	0.12	
	1-5/16	4.4																		
	1-3/8	4.3																		
	1-7/16	4.2																		
	35mm	1.5	43.4	165.1	44.5	118.9	138.2	M12	23.9	16.5	93.7	46.7	46.0	17.0	26.4	73.9	147.8	14.2	3.1	
208	1-1/2	5.4	1.94	7.25	1.93	5.18	5.88	1/2	0.91	0.75	4.00	2.05	1.94	0.75	1.19	3.26	6.52	0.69	0.12	
	1-5/8	5.3																		
	40mm	2.2	49.3	184.2	49.0	131.6	149.4	M12	23.1	19.1	101.6	52.1	49.3	19.1	30.2	82.8	165.6	17.5	3.1	
209	1-5/8	6.5	1.94	7.44	2.00	5.50	6.19	1/2	0.90	0.69	4.21	2.22	2.06	0.75	1.19	3.38	6.76	0.69	0.12	
	1-11/16	6.4																		
	1-3/4	6.2																		
	45mm	2.2	49.3	189.0	50.8	139.7	157.2	M12	22.9	17.5	106.9	56.4	52.3	19.1	30.2	85.9	171.7	17.5	3.1	
210	1-15/16	7.2	1.94	8.12	2.25	6.00	6.68	5/8	1.02	0.68	4.47	2.43	2.19	0.75	1.19	3.69	7.38	0.81	0.12	
	2	7.0																		
	50mm	2.6	49.3	206.3	57.2	152.4	169.7	M16	25.9	17.2	113.5	61.7	55.6	19.1	30.2	93.7	187.5	20.6	3.1	
211	2	9.0	2.22	8.88	2.30	6.38	7.44	5/8	1.21	0.81	4.90	2.71	2.44	0.87	1.35	3.94	7.88	0.81	0.12	
	2/3/16	8.9																		
	2-1/4	8.8																		
	55mm	3.3	56.4	225.6	58.4	162.1	189.0	M16	30.7	20.6	124.5	68.8	62.0	22.1	34.3	100.1	200.2	20.6	3.1	
212	2-1/4	10.8	2.31	9.50	2.37	6.88	7.94	5/8	1.21	0.81	5.34	2.97	2.69	0.90	1.41	4.25	8.50	0.88	0.12	
	2-7/16	10.2																		
	60mm	4.2	58.7	241.3	60.2	174.8	201.7	M16	30.7	20.6	135.6	75.4	68.3	22.9	35.8	108.0	215.9	22.4	3.1	
215	2-15/16	20.5	2.33	11.75	2.88	8.50	9.50	7/8	1.44	1.06	6.56	3.62	3.31	0.86	1.47	5.48	10.96	1.04	0.12	
	75mm	7.9	59.18	298.5	73.2	215.9	241.3	M22	36.6	26.9	166.6	92.0	84.1	21.8	37.3	139.2	278.4	26.4	3.1	

Bearing Reference Guide

ULTRA KLEEN

E-Z KLEEN

Extreme Duty

Setscrew Ball Bearing

GRIP TIGHT

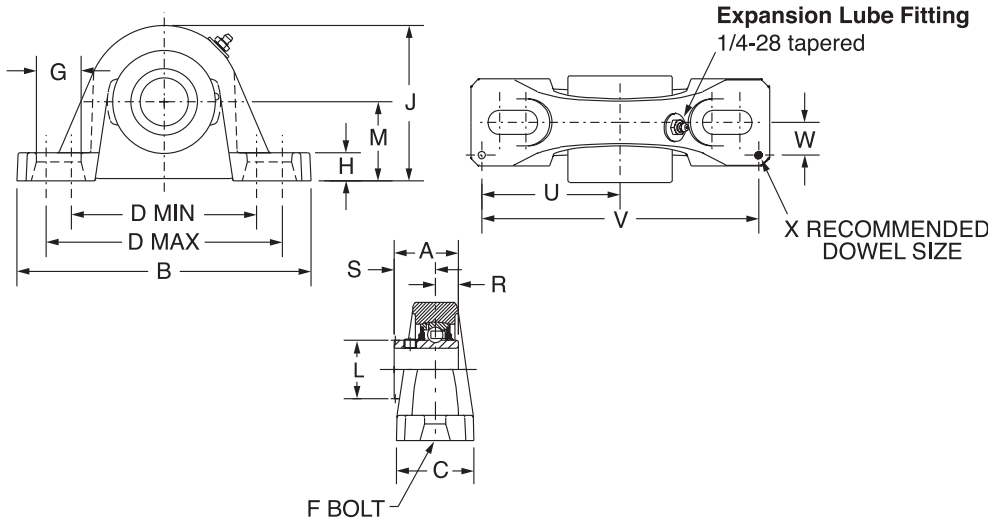
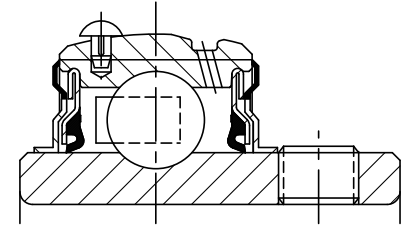
D-LOK Ball Bearing

FEATURES/BENEFITS PAGE B4-3	HOW TO ORDER/NOMENCLATURE PAGE B4-5	SELECTION PAGE B4-6	ACCESSORIES PAGE B4-98
--------------------------------	--	------------------------	---------------------------

SELECTION/DIMENSIONS



Setscrew Ball Bearings SCH-E EXPANSION NORMAL DUTY PILLOW BLOCKS



Series	Shaft Size	Expansion		Non-Expansion	
		Part Number	Description	Part Number	Description
205	1	064637	P2B-SCH-100-E	126147	P2B-SCM-100
	25mm	073418	P2B-SCH-25M-E	125925	P2B-SCM-25M
206	1-1/16	@	P2B-SCH-101-E	-----	-----
	1-1/8	@	P2B-SCH-102-E	-----	-----
	1 3/16	126405	P2B-SCH-103-E	126147	P2B-SCM-103
	1-1/4	053183	P2B-SCH-104S-E	123810	P2B-SC-104
	30mm	053021	P2B-SCH-30M-E	125926	P2B-SCM-30M
207	1-1/4	@	P2B-SCH-104-E	-----	-----
	1-5/16	@	P2B-SCH-105-E	-----	-----
	1-3/8	@	P2B-SCH-106-E	-----	-----
	1-7/16	126406	P2B-SCH-107-E	126810	P2B-SCM-107
	35mm	073358	P2B-SCH-35M-E	125927	P2B-SCM-35M
209	1-5/8	@	P2B-SCH-110L-E	-----	-----
	1-11/16	057414	P2B-SCH-111-E	126812	P2B-SCM-111
	1-3/4	074926	P2B-SCH-112-E	126813	P2B-SCM-112
210	45mm	056481	P2B-SCH-45M-E	125929	P2B-SCM-45M
	1-15/16	126407	P2B-SCH-115-E	126814	P2B-SCM-115
	2	052224	P2B-SCH-200-E	126815	P2B-SCM-200
211	50mm	056483	P2B-SCH-50M-E	125930	P2B-SCM-50M
	2-3/16	126408	P2B-SCH-203-E	126816	P2B-SCM-203
	2-1/4	068800	P2B-SCH-204-E	126817	P2B-SCM-204
212	55mm	053025	P2B-SCH-55M-E	125931	P2B-SCM-55M
	2-7/16	126409	P2B-SCH-207-E	126818	P2B-SCM-207
	60mm	@	P2B-SCH-60M-E	-----	-----

@Assembled to order

FEATURES/BENEFITS PAGE B4-3	HOW TO ORDER/NOMENCLATURE PAGE B4-5	SELECTION PAGE B4-6	ACCESSORIES PAGE B4-98
--------------------------------	--	------------------------	---------------------------



SELECTION/DIMENSIONS

Setscrew Ball Bearings SCH-E EXPANSION NORMAL DUTY PILLOW BLOCKS

Series	Shaft Size	Weight lbs. kgs.	A	B	C	D		F	G	H	J
						Min.	Max.				
205	1	2.8	1.34	6.25	1.75	4.25	5.00	1/2	0.94	0.75	3.31
	25mm	1.2	34.0	158.8	44.5	108.0	127.0	M12	23.9	19.1	84.1
206	1-1/16	4.8	1.52	6.50	1.75	4.68	5.44	1/2	0.94	0.71	3.75
	1-1/8	4.7									
	1 3/16	4.6									
	1-1/4	4.5									
	30mm	1.9	38.6	165.1	44.5	118.9	138.2	M12	23.9	18.0	95.3
207	1-1/4	6.7	1.71	7.25	1.93	5.18	5.88	1/2	0.91	0.93	4.19
	1-5/16	6.6									
	1-3/8	6.5									
	1-7/16	6.4									
	35mm	2.7	43.4	184.2	49.0	131.6	149.4	M12	23.1	23.6	106.4
209	1-5/8	6.4	1.94	8.12	2.25	6.00	6.68	5/8	1.02	0.75	4.53
	1-11/16	6.3									
	1-3/4	6.2									
	45mm	2.6	49.3	206.2	57.2	152.4	169.7	M16	25.9	19.1	115.1
210	1-15/16	9.8	1.94	8.88	2.30	6.38	7.44	5/8	1.21	0.88	4.96
	2	9.7									
	50mm	4.0	49.3	225.6	58.4	162.1	189.0	M16	30.7	22.4	126.0
211	2-3/16	14.3	2.22	9.50	2.37	6.88	7.94	5/8	1.21	0.88	5.40
	2-1/4	14.2									
	55mm	5.9	56.4	241.3	60.2	174.8	201.7	M16	30.7	22.4	137.2
212	2-7/16	16.6	2.31	10.75	2.69	7.50	8.50	3/4	1.32	0.94	6.09
	60mm	6.8	58.7	273.1	68.3	190.5	215.9	M18	33.5	23.8	154.7

Series	Shaft Size	L	M	R	S	T Total Expansion	U	V	W	X
205	1	1.32	1.69	0.56	0.78	0.16	2.88	5.76	0.56	0.12
	25mm	33.5	42.9	14.2	19.8	4.1	73.2	146.3	14.2	3.0
206	1-1/16	1.57	1.88	0.58	0.94	0.16	2.91	5.82	0.56	0.12
	1-1/8									
	1 3/16									
	1-1/4									
	30mm	39.9	47.8	14.7	23.9	4.1	73.9	147.8	14.2	3.0
207	1-1/4	1.84	2.13	0.67	1.04	0.16	3.26	6.52	0.69	0.12
	1-5/16									
	1-3/8									
	1-7/16									
	35mm	46.7	54.1	17.0	26.4	4.1	82.8	165.6	17.5	3.0
209	1-5/8	2.05	2.25	0.75	1.19	0.25	3.69	7.38	0.81	0.12
	1-11/16									
	1-3/4									
45mm	52.1	57.2	19.1	30.2	6.4	93.7	187.5	20.6	3.0	
210	1-15/16	2.43	2.50	0.75	1.19	0.22	3.94	7.88	0.81	0.12
	2									
50mm	61.7	63.5	19.1	30.2	5.6	100.1	200.2	20.6	3.0	
211	2-3/16	2.71	2.75	.87	1.35	0.22	4.25	8.50	0.88	0.12
	2-1/4									
	55mm	68.8	69.9	22.1	34.3	5.6	108.0	215.9	22.4	3.0
212	2-7/16	2.97	3.00	0.90	1.41	0.22	4.88	9.76	0.94	0.12
	60mm	75.4	76.2	22.9	35.8	5.6	124.0	247.9	23.9	3.0

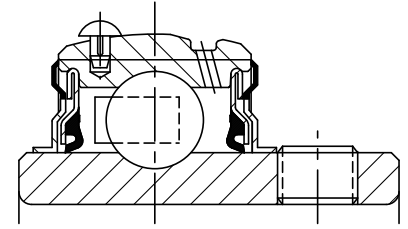
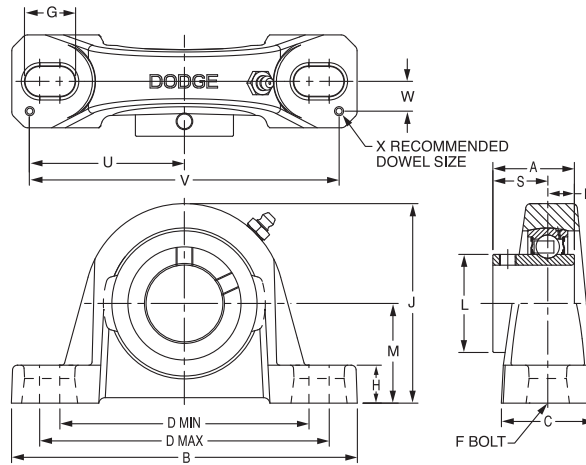
FEATURES/BENEFITS PAGE B4-3	HOW TO ORDER/NOMENCLATURE PAGE B4-5	SELECTION PAGE B4-6	ACCESSORIES PAGE B4-98
--------------------------------	--	------------------------	---------------------------

Bearing Reference Guide
 ULTRA KLEEN
 E-Z KLEEN
 Extreme Duty
 Setscrew Ball Bearing
 GRIP TIGHT
 D-LOK Ball Bearing

SELECTION/DIMENSIONS



Setscrew Ball Bearings SCM MEDIUM DUTY PILLOW BLOCKS



Lube Fitting

203 series - 1/4-28 tapered thread
204 series and larger - 1/8-27 NPT

Series	Shaft Size	Standard		No-Lube/Sealed for Life (-NL)	
		Part No.	Description	Part No.	Description
206	1	126147	P2B-SCM-100	058624	P2B-SCM-100-NL
	25mm	125925	P2B-SCM-25M	@	P2B-SCM-25M-NL
206 (SCMU)	1	064249	P2B-SCMU-100	@	P2B-SCMU-100-NL
	25mm	@	P2B-SCMU-25M	@	P2B-SCMU-25M-NL
207	1-3/16	126148	P2B-SCM-103	052275	P2B-SCM-103-NL
	1-1/4	123810	P2B-SC-104	123933	P2B-SC-104-NL
	30mm	125926	P2B-SCM-30M	077777	P2B-SCM-30M-NL
208	1-7/16	126810	P2B-SCM-107	126855	P2B-SCM-107-NL
	35mm	125927	P2B-SCM-35M	@	P2B-SCM-35M-NL
209	1-1/2	126811	P2B-SCM-108	058400	P2B-SCM-108-NL
	1-5/8	125169	P2B-SC-110L	@	P2B-SC-110L-NL
	40mm	125928	P2B-SCM-40M	@	P2B-SCM-40M-NL
210	1-11/16	126812	P2B-SCM-111	075105	P2B-SCM-111-NL
	1-3/4	126813	P2B-SCM-112	@	P2B-SCM-112-NL
	45mm	125929	P2B-SCM-45M	@	P2B-SCM-45M-NL
211	1-15/16	126814	P2B-SCM-115	126856	P2B-SCM-115-NL
	2	126815	P2B-SCM-200	126547	P2B-SCM-200-NL
	50mm	125930	P2B-SCM-50M	065548	P2B-SCM-50M-NL
212	2-3/16	126816	P2B-SCM-203	052005	P2B-SCM-203-NL
	2-1/4	126817	P2B-SCM-204	@	P2B-SCM-204-NL
	55mm	125931	P2B-SCM-55M	@	P2B-SCM-55M-NL
214	2-7/16	126818	P2B-SCM-207	126857	P2B-SCM-207-NL
	2-1/2	126819	P2B-SCM-208	062178	P2B-SCM-208-NL
	65mm	125932	P2B-SCM-65M	068025	P2B-SCM-65M-NL
215	2-11/16	126820	P2B-SCM-211	126533	P2B-SCM-211-NL
	70mm	125933	P2B-SCM-70M	@	P2B-SC-70M-NL
216	2-15/16	126821	P2B-SCM-215	126534	P2B-SCM-215-NL
	3	126822	P2B-SCM-300	126535	P2B-SCM-300-NL
	75mm	125934	P2B-SCM-75M	062186	P2B-SCM-75M-NL
218	3-7/16	126823	P2B-SCM-307	@	P2B-SCM-307-NL
	3-1/2	126824	P2B-SCM-308	@	P2B-SCM-308-NL
	85mm	125935	PWB-SCM-85M	@	PWB-SCM-85M-NL

@ Assembled to order

FEATURES/BENEFITS PAGE B4-3	HOW TO ORDER/NOMENCLATURE PAGE B4-5	SELECTION PAGE B4-6	ACCESSORIES PAGE B4-98
--------------------------------	--	------------------------	---------------------------



SELECTION/DIMENSIONS

Setscrew Ball Bearings SCM MEDIUM DUTY PILLOW BLOCKS

Bearing Reference Guide

ULTRA KLEEN

E-Z KLEEN

Extreme Duty

Setscrew Ball Bearing

GRIP TIGHT

D-LOK Ball Bearing

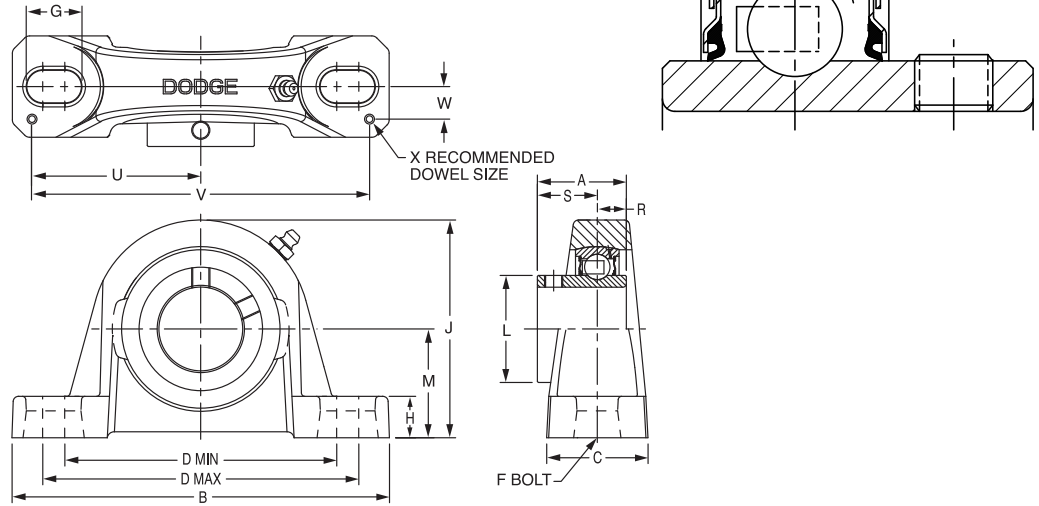
Series	Shaft Size	Weight Lbs. kg.	A	B	C	D		F	G	H	J	L	M	R	S	U	V	W	X	
						Min.	Max.													
206	1	3.0	1.52	6.25	1.75	4.25	5.00	1/2	0.94	0.68	3.25	1.57	1.69	0.58	0.94	2.88	5.76	0.56	0.12	
	25mm	1.3	38.6	158.8	44.5	108.0	127.0	M12	23.9	17.3	82.6	39.9	42.9	14.7	23.9	73.2	146.3	14.2	3.0	
206 SCMU	1	3.1	1.52	6.25	1.75	4.25	5.00	1/2	0.94	0.81	3.37	1.57	1.75	0.58	0.94	2.88	5.76	0.56	0.12	
	25mm	1.4	38.6	158.8	44.5	108.0	127.0	M12	23.9	20.6	85.6	39.9	44.5	14.7	23.9	73.2	146.3	14.2	3.0	
207	1-3/16	4.6	1.71	6.50	1.75	4.68	5.44	1/2	0.94	0.71	3.75	1.84	1.88	0.67	1.04	2.91	5.82	0.56	0.12	
	1-1/4	4.2																		
	30mm	2.0	43.4	165.1	44.5	118.9	138.2	M12	23.9	18.0	95.3	46.7	47.6	17.0	26.4	73.9	147.8	14.2	3.0	
208	1-7/16	5.4	1.94	7.25	1.93	5.18	5.88	1/2	0.91	0.93	4.19	2.05	2.13	0.75	1.19	3.26	6.52	0.69	0.12	
	35mm	2.3	49.3	184.2	49.0	131.6	149.4	M12	23.1	23.6	106.4	52.1	54.0	19.1	30.2	82.8	165.6	17.5	3.0	
209	1-1/2	6.4	1.94	7.44	2.00	5.50	6.19	1/2	0.90	0.75	4.28	2.22	2.13	0.75	1.19	3.38	6.76	0.69	0.12	
	1-5/8	6.3																		
	40mm	2.7	49.3	189.0	50.8	139.7	157.2	M12	22.9	19.1	108.7	56.4	54.0	19.1	30.2	85.9	171.7	17.5	3.0	
210	1-11/16	7.4	1.94	8.12	2.25	6.00	6.68	5/8	1.02	0.75	4.53	2.43	2.25	0.75	1.19	3.69	7.38	0.81	0.12	
	1-3/4	7.3																		
	45mm	3.2	49.3	206.2	57.2	152.4	169.7	M16	25.9	19.1	115.1	61.7	57.2	19.1	30.2	93.7	187.5	20.6	3.0	
211	1-15/16	9.2	2.22	8.88	2.30	6.38	7.44	5/8	1.21	0.88	4.96	2.71	2.50	0.87	1.35	3.94	7.88	0.81	0.12	
	2	9.0																		
	50mm	3.9	56.4	225.6	58.4	162.1	189.0	M16	30.7	22.4	126.0	68.8	63.5	22.1	34.3	100.1	200.2	20.6	3.0	
212	2-3/16	11.0	2.31	9.50	2.37	6.88	7.94	5/8	1.21	0.88	5.40	2.97	2.75	0.90	1.41	4.25	8.50	0.88	0.12	
	2-1/4	10.8																		
	55mm	4.7	58.7	241.3	60.2	174.8	201.7	M16	30.7	22.4	137.2	75.4	69.9	22.9	35.8	108.0	215.9	22.4	3.0	
214	2-7/16	15.7	2.54	10.75	2.69	7.50	8.50	3/4	1.32	0.94	6.09	3.31	3.00	1.06	1.48	4.88	9.76	0.94	0.12	
	2-1/2	15.5																		
	65mm	6.7	64.5	273.1	68.3	190.5	215.9	M18	33.5	23.9	154.7	84.1	76.2	26.9	37.6	124.0	247.9	23.9	3.0	
215	2-11/16	21.0	2.33	11.75	2.88	8.50	9.50	7/8	1.44	1.00	6.75	3.62	3.50	0.86	1.47	5.48	10.96	1.04	0.12	
	70mm	9.0	59.2	298.5	73.2	215.9	241.3	M22	36.6	25.4	171.5	91.9	88.9	21.8	37.3	139.2	278.4	26.4	3.0	
216	2-15/16	21.3	2.38	11.75	3.00	8.50	9.50	7/8	1.44	1.25	6.97	3.83	3.50	0.88	1.50	5.50	11.00	1.09	0.12	
	3	21.1																		
218	3-7/16	31.8	2.56	14.00	3.38	10.32	11.62	7/8	1.59	1.31	8.00	4.35	4.00	0.96	1.60	6.60	13.20	1.19	0.12	
	3-1/2	31.3																		
	85mm	13.6	65.0	355.6	85.9	262.1	295.1	M22	40.4	33.3	203.2	110.5	101.6	24.4	40.6	167.6	335.3	30.2	3.0	

FEATURES/BENEFITS PAGE B4-3	HOW TO ORDER/NOMENCLATURE PAGE B4-5	SELECTION PAGE B4-6	ACCESSORIES PAGE B4-98
--------------------------------	--	------------------------	---------------------------

SELECTION/DIMENSIONS



Setscrew Ball Bearings SCMAH AIR HANDLING MEDIUM DUTY PILLOW BLOCKS



Lube Fitting
203 series - 1/4-28 tapered thread
204 series and larger - 1/8-27 NPT

Series	Shaft Size	Part No.	Description
206	1	126110	P2B-SCMAH-100
	25mm	073416	P2B-SCMAH-25M
207	1-3/16	126112	P2B-SCMAH-103
	1-1/4	123907	P2B-SCAH-104
208	30mm	064756	P2B-SCMAH-30M
	1-7/16	126835	P2B-SCMAH-107
209	35mm	062304	P2B-SCMAH-35M
	1-1/2	126836	P2B-SCMAH-108
210	1-5/8	@	P2B-SCAH-110L
	40mm	064136	P2B-SCMAH-40M
211	1-11/16	126837	P2B-SCMAH-111
	1-3/4	126838	P2B-SCMAH-112
212	45mm	062321	P2B-SCMAH-45M
	1-15/16	126839	P2B-SCMAH-115
214	2	126847	P2B-SCMAH-200
	50mm	056811	P2B-SCMAH-50M
215	2-3/16	126840	P2B-SCMAH-203
	2-1/4	@	P2B-SCMAH-204
216	55mm	049816	P2B-SCMAH-55M
	2-7/16	126841	P2B-SCMAH-207
218	2-1/2	064537	P2B-SCMAH-208
	65mm	075262	P2B-SCMAH-65M
219	2-11/16	126842	P2B-SCMAH-211
	70mm	049818	P2B-SCMAH-70M
220	2-15/16	126843	P2B-SCMAH-215
	3	074381	P2B-SCMAH-300
221	75mm	053719	P2B-SCM-75M
	3-7/16	126844	P2B-SCMAH-307
222	3-1/2	@	P2B-SCMAH-308
	85mm	@	P2B-SCMAH-85M

@ Assembled to order.

FEATURES/BENEFITS PAGE B4-3	HOW TO ORDER/NOMENCLATURE PAGE B4-5	SELECTION PAGE B4-6	ACCESSORIES PAGE B4-98
--------------------------------	--	------------------------	---------------------------



SELECTION/DIMENSIONS

Setscrew Ball Bearings SCMAH AIR HANDLING MEDIUM DUTY PILLOW BLOCKS

Bearing Reference Guide

ULTRA KLEEN

E-Z KLEEN

Extreme Duty

Setscrew Ball Bearing

GRIP TIGHT

D-LOK Ball Bearing

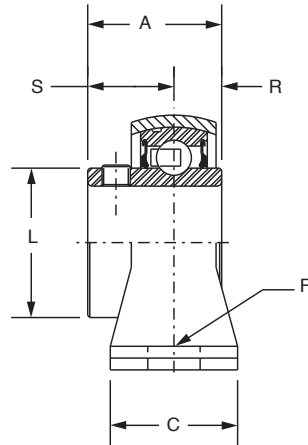
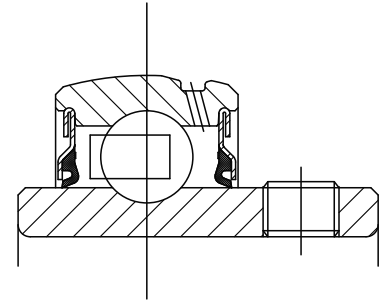
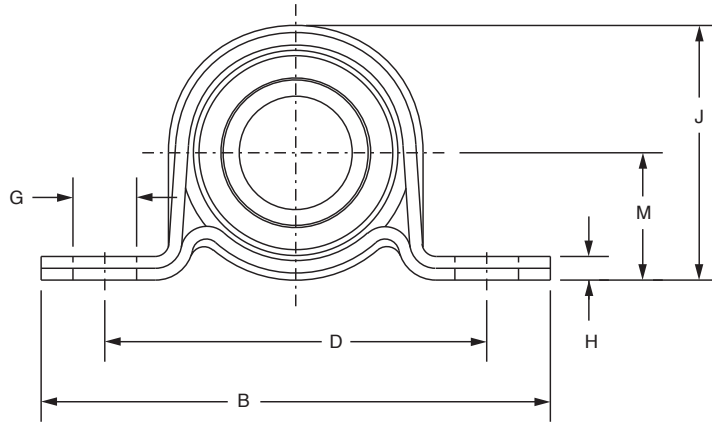
Series	Shaft Size	Weight lbs. kgs.	A	B	C	D		F	G	H	J	L	M	R	S	U	V	W	X
						Min.	Max.												
206	1	3.0	1.52	6.25	1.75	4.25	5.00	1/2	0.94	0.68	3.25	1.57	1.75	0.58	0.94	2.88	5.76	0.56	0.12
	25mm	1.3	38.6	158.8	44.5	108.0	127.0	M12	23.9	17.3	82.6	39.9	44.45	14.7	23.9	73.2	146.3	14.2	3.0
207	1-3/16	4.6	1.71	6.50	1.75	4.68	5.44	1/2	0.94	0.71	3.75	1.84	1.88	0.67	1.04	2.91	5.82	0.56	0.12
	1-1/4 30mm	4.2 2.0	43.4	165.1	44.5	118.9	138.2	M12	23.9	18.0	95.3	46.7	47.6	17.0	26.4	73.9	147.8	14.2	3.0
208	1-7/16	5.4	1.94	7.25	1.93	5.18	5.88	1/2	0.91	0.93	4.19	2.05	2.13	0.75	1.19	3.26	6.52	0.69	0.12
	35mm	2.3	49.3	184.2	49.0	131.6	149.4	M12	23.1	23.6	106.4	52.1	54.0	19.1	30.2	82.8	165.6	17.5	3.0
209	1-1/2	6.4	1.94	7.44	2.00	5.50	6.19	1/2	0.90	0.75	4.28	2.22	2.13	0.75	1.19	3.38	6.76	0.69	0.12
	1-5/8 40mm	6.3 2.7	49.3	189.0	50.8	139.7	157.2	M12	22.9	19.1	108.7	56.4	54.0	19.1	30.2	85.9	171.7	17.5	3.0
210	1-11/16	7.4	1.94	8.12	2.25	6.00	6.68	5/8	1.02	0.75	4.53	2.43	2.25	0.75	1.19	3.69	7.38	0.81	0.12
	1-3/4 45mm	7.3 3.2	49.3	206.2	57.2	152.4	169.7	M16	25.9	19.1	115.1	61.7	57.2	19.1	30.2	93.7	187.5	20.6	3.0
211	1-15/16	9.2	2.22	8.88	2.30	6.38	7.44	5/8	1.21	0.88	4.96	2.71	2.50	0.87	1.35	3.94	7.88	0.81	0.12
	2 50mm	9.0 3.9	56.4	225.6	58.4	162.1	189.0	M16	30.7	22.4	126.0	68.8	63.5	22.1	34.3	100.1	200.2	20.6	3.0
212	2-3/16	11.0	2.31	9.50	2.37	6.88	7.94	5/8	1.21	0.88	5.40	2.97	2.75	0.90	1.41	4.25	8.50	0.88	0.12
	2-1/4 55mm	10.8 4.7	58.7	241.3	60.2	174.8	201.7	M16	30.7	22.4	137.2	75.4	69.9	22.9	35.8	108.0	215.9	22.4	3.0
214	2-7/16	15.7	2.54	10.75	2.69	7.50	8.50	3/4	1.32	0.94	6.09	3.31	3.00	1.06	1.48	4.88	9.76	0.94	0.12
	2-1/2 65mm	15.5 6.7	64.5	273.1	68.3	190.5	215.9	M18	33.5	23.9	154.7	84.1	76.2	26.9	37.6	124.0	247.9	23.9	3.0
215	2-11/16	21.0	2.33	11.75	2.88	8.50	9.50	7/8	1.44	1.00	6.75	3.62	3.50	0.86	1.47	5.48	10.96	1.04	0.12
	70mm	9.0	59.2	298.5	73.2	215.9	241.3	M22	36.6	25.4	171.5	91.9	88.9	21.8	37.3	139.2	278.4	26.4	3.0
216	2-15/16	21.3	2.38	11.75	3.00	8.50	9.50	7/8	1.44	1.25	6.97	3.83	3.50	0.88	1.50	5.50	11.00	1.09	0.12
	3 75mm	21.1 9.1	60.5	298.5	76.2	215.9	241.3	M22	36.6	31.8	177.0	97.3	88.9	22.4	38.1	139.7	279.4	27.7	3.0
218	3-7/16	31.8	2.56	14.0	3.38	10.32	11.62	7/8	1.59	1.31	8.00	4.35	4.00	0.96	1.60	6.60	13.20	1.19	0.12
	3-1/2 85mm	31.3 13.6	65.0	355.6	85.9	262.1	295.1	M22	40.4	33.3	203.2	110.5	101.6	24.4	40.6	167.6	335.3	30.2	3.0

FEATURES/BENEFITS PAGE B4-3	HOW TO ORDER/NOMENCLATURE PAGE B4-5	SELECTION PAGE B4-6	ACCESSORIES PAGE B4-98
--------------------------------	--	------------------------	---------------------------

SELECTION/DIMENSIONS



Setscrew Ball Bearings SL LIGHT DUTY PILLOW BLOCKS



Series	Shaft Size	Part No.	Description
203	1/2	059637	P2B-SL-008
	5/8	128197	P2B-SL-010
	17mm	@	P2BSL-17M
204	3/4	128106	P2B-SL-012
	20mm	@	P2B-SL-20M
205	7/8	128170	P2B-SL-014
	15/16	128171	P2B-SL-015
	1	128107	P2B-SL-100
	25mm	068068	P2B-SL-25M
206	1-1/8	128172	P2B-SL-102
	1-3/16	128108	P2B-SL-103
	1-1/4	128111	P2B-SL-104S
	30mm	049944	P2B-SL-30M
207	1-1/4	128109	P2B-SL-104
	1-3/8	128173	P2B-SL-106
	1-7/16	128110	P2B-SL-107
	35mm	@	P2B-SL-35M

@ Assembled to order

FEATURES/BENEFITS PAGE B4-3	HOW TO ORDER/NOMENCLATURE PAGE B4-5	SELECTION PAGE B4-6	ACCESSORIES PAGE B4-98
--------------------------------	--	------------------------	---------------------------



SELECTION/DIMENSIONS

Setscrew Ball Bearings SL LIGHT DUTY PILLOW BLOCKS

Bearing Reference Guide

ULTRA KLEEN

E-Z KLEEN

Extreme Duty

Setscrew Ball Bearing

GRIP TIGHT

D-LOK Ball Bearing

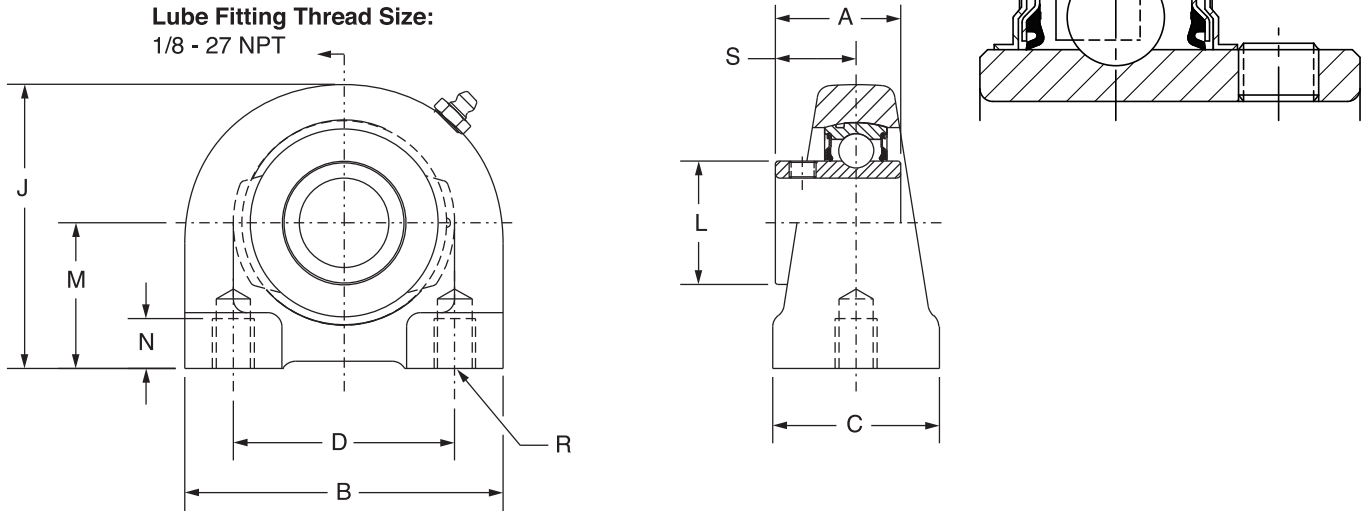
Series	Shaft Size	Weight lb. kg.	A	B	C	D	F Bolt Dia.	G	H	J	L	M	R	S	Housing Radial Load Rating (lbs)
203	1/2	0.51	1.00	3.63	1.00	2.69	1/4	0.50	0.13	1.75	0.96	0.88	0.36	0.64	250
	5/8	0.49													
	17mm	0.2	25.4	92.2	25.4	68.3	M6	12.7	3.3	44.5	24.4	22.4	9.1	16.3	1,112
204	3/4	0.61	1.02	4.13	1.00	3.00	3/8	0.50	0.15	2.06	1.12	1.00	0.29	0.73	350
	20mm	0.3	25.9	104.9	25.4	76.2	M10	12.7	3.8	52.3	28.4	25.4	7.4	18.5	1,556
205	7/8	0.79	1.06	4.50	1.13	3.38	3/8	0.56	0.21	2.22	1.32	1.13	0.30	0.76	400
	15/16	0.76													
	1	0.73													
206	25mm	0.4	26.9	114.3	28.7	85.9	M10	14.2	5.3	56.4	33.5	28.7	7.6	19.3	1,779
	1-1/8	1.14	1.26	4.88	1.25	3.75	3/8	0.56	0.24	2.62	1.57	1.31	0.35	0.91	600
	1-3/16	1.12													
207	1-1/4	1.54	1.40	5.75	1.25	4.25	1/2	0.75	0.24	3.12	1.84	1.56	0.37	1.03	800
	1-3/8	1.50													
	1-7/16	1.48													
	30mm	0.5	32.0	124.0	31.8	95.3	M10	14.2	6.1	66.5	39.9	33.3	8.9	23.1	2,668
	35mm	0.7	35.6	146.1	31.8	108.0	M12	19.1	6.1	79.2	46.7	39.6	9.4	26.2	3,557

FEATURES/BENEFITS PAGE B4-3	HOW TO ORDER/NOMENCLATURE PAGE B4-5	SELECTION PAGE B4-6	ACCESSORIES PAGE B4-98
--------------------------------	--	------------------------	---------------------------

SELECTION/DIMENSIONS



Setscrew Ball Bearings SC NORMAL DUTY TAPPED BASE PILLOW BLOCKS



Series	Shaft Size	Part No.	Description
204	1/2	124460	TB-SC-008
	5/8	124461	TB-SC-010
	3/4	124462	TB-SC-012
	20mm	130354	TB-SC-20M
205	7/8	124463	TB-SC-014
	15/16	124464	TB-SC-015
	1	124465	TB-SC-100
	25mm	130355	TB-SC-25M
206	1-1/16	124466	TB-SC-101
	1-1/8	124467	TB-SC-102
	1-3/16	124468	TB-SC-103
	1-1/4	124469	TB-SC-104S
	30mm	130356	TB-SC-30M
207	1-1/4	124470	TB-SC-104
	1-5/16	124471	TB-SC-105
	1-3/8	124472	TB-SC-106
	1-7/16	124473	TB-SC-107
	35mm	130357	TB-SC-35M
208	1-1/2	124479	TB-SC-108
	1-5/8	128998	TB-SC-110
	40mm	130358	TB-SC-40M
209	1-5/8	049859	TB-SC-110L
	1-11/16	054548	TB-SC-111
	1-3/4	054781	TB-SC-112
	45mm	130359	TB-SC-45M
210	1-15/16	124478	TB-SC-115
	2	052472	TB-SC-200
	50mm	130360	TB-SC-50M
211	2	124480	TB-SC-200L
	2-3/16	050386	TB-SC-203
	2-1/4	054436	TB-SC-204
	55mm	130361	TB-SC-55M

FEATURES/BENEFITS PAGE B4-3	HOW TO ORDER/NOMENCLATURE PAGE B4-5	SELECTION PAGE B4-6	ACCESSORIES PAGE B4-98
--------------------------------	--	------------------------	---------------------------



SELECTION/DIMENSIONS

Setscrew Ball Bearings SC NORMAL DUTY TAPPED BASE PILLOW BLOCKS

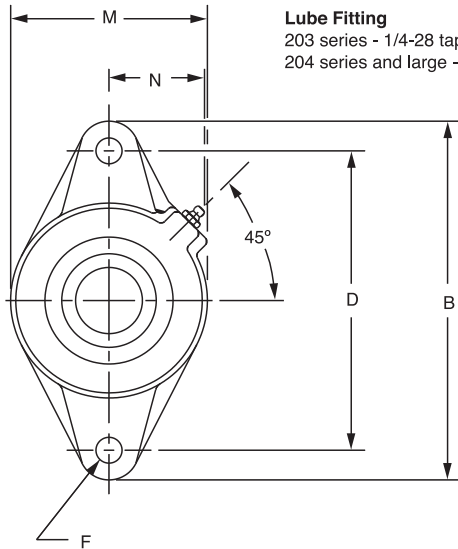
Series	Shaft Size	Weight lbs. kgs.	A	B	C	D	J	L	M	N	R	S
204	1/2	1.56	1.23	2.88	1.50	2.00	2.56	1.12	1.31	0.50	3/8-16	0.73
	5/8	1.53										
	3/4	1.50										
	20mm	0.06	31.2	73.2	38.1	50.8	65.0	28.4	33.4	12.7	M8x1.25	18.5
205	7/8	1.93	1.34	3.00	1.50	2.00	2.81	1.32	1.44	0.50	3/8-16	0.78
	15/16	1.90										
	1	1.87										
	25mm	0.07	34.0	76.2	38.1	50.8	71.4	33.5	36.5	12.7	M10x1.5	19.8
206	1-1/16	2.66	1.52	4.00	1.50	3.00	3.38	1.57	1.69	0.63	7/16-14	0.94
	1-1/8	2.62										
	1-3/16	2.59										
	30mm	0.10	38.6	101.6	38.1	76.2	85.9	39.9	42.9	16.0	M10x1.5	23.9
207	1-1/4	3.41	1.71	4.25	1.88	3.25	3.75	1.84	1.88	0.75	1/2-13	1.04
	1-5/16	3.36										
	1-3/8	3.34										
	35mm	0.13	43.4	108.0	47.8	82.6	95.3	46.7	47.6	19.1	M10x1.5	26.4
208	1-1/2	4.10	1.94	4.63	1.88	3.50	3.94	2.05	1.94	0.75	1/2-13	1.19
	1-5/8	4.00										
	40mm	0.16	49.3	117.6	47.8	88.9	100.1	52.1	49.2	19.1	M12x1.75	30.2
209	1-5/8	5.20	1.94	5.00	2.00	3.75	4.25	2.22	2.13	0.75	1/2-13	1.19
	1-11/16	5.00										
	45mm	0.20	49.3	127.0	50.8	95.3	108.0	56.4	54.0	19.1	M12x1.75	30.2
210	1-15/16	5.40	1.94	5.50	2.00	4.00	4.63	2.43	2.25	0.88	5/8-11	1.19
	2	5.20										
	50mm	0.21	49.3	139.7	50.8	101.6	117.6	61.7	57.2	22.4	M16x2	30.2
211	2	6.70	2.22	5.50	2.00	4.00	4.63	2.71	2.25	0.88	5/8-11	1.35
	2-3/16	6.50										
	2-1/4	6.30										
	55mm	0.25	56.4	139.7	50.8	101.6	117.6	68.8	57.2	22.4	M16x2	34.3

FEATURES/BENEFITS PAGE B4-3	HOW TO ORDER/NOMENCLATURE PAGE B4-5	SELECTION PAGE B4-6	ACCESSORIES PAGE B4-98
--------------------------------	--	------------------------	---------------------------

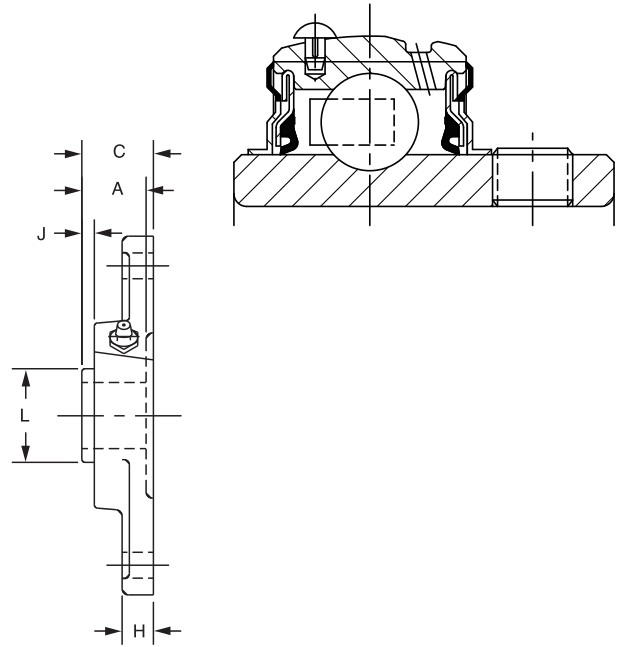
SELECTION/DIMENSIONS



Setscrew Ball Bearings SC NORMAL DUTY 2-BOLT FLANGE BEARINGS



Lube Fitting
203 series - 1/4-28 tapered thread
204 series and large - 1/8-27 NPT



Series	Shaft Size	Standard		No-Lube/Sealed for Life (-NL)	
		Part No.	Description	Part No.	Description
203	1/2	124198	F2B-SC-008	@	F2B-SC-008-NL
	5/8	124199	F2B-SC-010	124256	F2B-SC-010-NL
	17mm	125875	F2B-SC-17M	@	F2B-SC-17M-NL
204	1/2	124166	F2B-SC-008L	052220	F2B-SC-008L-NL
	5/8	124167	F2B-SC-010L	124176	F2B-SC-010L-NL
	3/4	124170	F2B-SC-012	124175	F2B-SC-012-NL
	20mm	125876	F2B-SC-20M	050119	F2B-SC-20M-NL
205	7/8	124171	F2B-SC-014	126516	F2B-SC-014-NL
	15/16	124172	F2B-SC-015	073662	F2B-SC-015-NL
	1	124173	F2B-SC-100	124174	F2B-SC-100-NL
	25mm	125877	F2B-SC-25M	124785	F2B-SC-25M-NL
206	1-1/16	124410	F2B-SC-101	@	F2B-SC-101-NL
	1-1/8	124274	F2B-SC-102	065766	F2B-SC-102-NL
	1-3/16	124275	F2B-SC-103	124614	F2B-SC-103-NL
	1-1/4	123172	F2B-SC-104S	064656	F2B-SC-104S-NL
	30mm	125878	F2B-SC-30M	126102	F2B-SC-30M-NL
207	1-1/4	124276	F2B-SC-104	126518	F2B-SC-104-NL
	1-5/16	124411	F2B-SC-105	@	F2B-SC-105-NL
	1-3/8	124277	F2B-SC-106	126519	F2B-SC-106-NL
	1-7/16	124278	F2B-SC-107	124618	F2B-SC-107-NL
	35mm	125879	F2B-SC-35M	067663	F2B-SC-35M-NL

@Assembled to order

FEATURES/BENEFITS PAGE B4-3	HOW TO ORDER/NOMENCLATURE PAGE B4-5	SELECTION PAGE B4-6	ACCESSORIES PAGE B4-98
--------------------------------	--	------------------------	---------------------------



SELECTION/DIMENSIONS

Setscrew Ball Bearings SC NORMAL DUTY 2-BOLT FLANGE BEARINGS

Bearing Reference Guide
 ULTRA KLEEN
 E-Z KLEEN
 Extreme Duty
 Setscrew Ball Bearing
 GRIP TIGHT
 D-LOK Ball Bearing

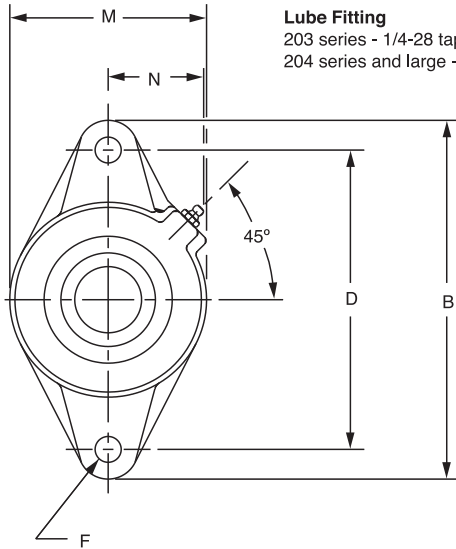
Series	Shaft Size	Weight lbs. kgs.	A	B	C	D	F Bolt Dia.	H	J	L	M	N
203	1/2	0.8	1.00	3.88	1.17	3.00	3/8	0.38	0.32	0.96	2.13	1.13
	5/8	0.7										
	17mm	0.3	25.4	98.6	29.7	76.2	M10	9.7	8.1	24.4	54.1	28.7
204	1/2	1.6	1.23	4.41	1.34	3.53	3/8	0.50	0.36	1.12	2.38	1.50
	5/8	1.5										
	3/4	1.4										
	20mm	0.5	31.2	112.0	34.0	89.7	M10	12.7	9.1	28.4	60.5	38.1
205	7/8	1.6	1.34	4.88	1.37	3.89	7/16	0.52	0.42	1.32	2.75	1.44
	15/16	1.5										
	1	1.4										
	25mm	0.6	34.0	124.0	34.8	98.8	M10	13.2	10.7	33.5	69.9	36.6
206	1-1/16	2.3	1.52	5.56	1.56	4.59	7/16	0.50	0.49	1.57	3.13	1.56
	1-1/8	2.2										
	1-3/16	2.1										
	1-1/4	2.0										
	30mm	1.0	38.6	141.2	39.6	116.7	M10	12.7	12.4	39.9	79.5	39.6
207	1-1/4	3.5	1.71	6.13	1.75	5.12	1/2	0.56	0.53	1.84	3.75	1.84
	1-5/16	3.4										
	1-3/8	3.2										
	1-7/16	3.1										
	35mm	1.5	43.4	155.7	44.5	130.0	M12	14.2	13.5	46.7	95.3	46.7

FEATURES/BENEFITS PAGE B4-3	HOW TO ORDER/NOMENCLATURE PAGE B4-5	SELECTION PAGE B4-6	ACCESSORIES PAGE B4-98
--------------------------------	--	------------------------	---------------------------

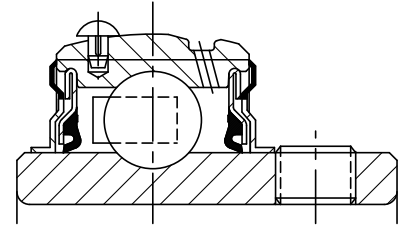
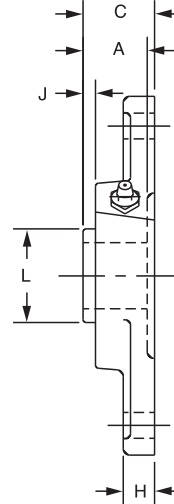
SELECTION/DIMENSIONS



Setscrew Ball Bearings SC NORMAL DUTY 2-BOLT FLANGE BEARINGS



Lube Fitting
203 series - 1/4-28 tapered thread
204 series and large - 1/8-27 NPT



Series	Shaft Size	Standard		No-Lube/Sealed for Life (-NL)	
		Part No.	Description	Part No.	Description
208	1-1/2	124268	F2B-SC-108	052011	F2B-SC-108-NL
	1-5/8	124412	F2B-SC-110	@	F2B-SC-110-NL
	40mm	125880	F2B-SC-40M	126042	F2B-SC-40M-NL
209	1-5/8	125171	F2B-SC-110L	@	F2B-SC-110L-NL
	1-11/16	124279	F2B-SC-111	067666	F2B-SC-111-NL
	1-3/4	124413	F2B-SC-112	126521	F2B-SC-112-NL
	1-13/16	124280	F2B-SC-113	067019	F2B-SC-113-NL
	45mm	125881	F3B-SC-45M	@	F2B-SC-45M-NL
210	1-15/16	124269	F2B-SC-115	126522	F2B-SC-115-NL
	2	124270	F2B-SC-200	126523	F2B-SC-200-NL
	50mm	125882	F2B-SC-50M	124282	F2B-SC-50M-NL
211	2	126293	F2B-SCM-200	065595	F2B-SCM-200-NL
	2-3/16	124034	F2B-SC-203	067959	F2B-SC-203-NL
	2-1/4	124373	F2B-SC-204	@	F2B-SC-204-NL
	55mm	124942	F2B-SC-55M	@	F2B-SC-55M-NL
212	2-1/4	@	F2B-SCM-204	093733	F2B-SCM-204-NL
	2-7/16	053175	F2B-SC-207	049437	F2B-SC-207-NL
	60mm	053883	F2B-SC-60M	@	F2B-SC-60M-NL

@Assembled to order

FEATURES/BENEFITS PAGE B4-3	HOW TO ORDER/NOMENCLATURE PAGE B4-5	SELECTION PAGE B4-6	ACCESSORIES PAGE B4-98
--------------------------------	--	------------------------	---------------------------



SELECTION/DIMENSIONS

Setscrew Ball Bearings SC NORMAL DUTY 2-BOLT FLANGE BEARINGS

Bearing Reference Guide
 ULTRA KLEEN
 E-Z KLEEN
 Extreme Duty
 Setscrew Ball Bearing
 GRIP TIGHT
 D-LOK Ball Bearing

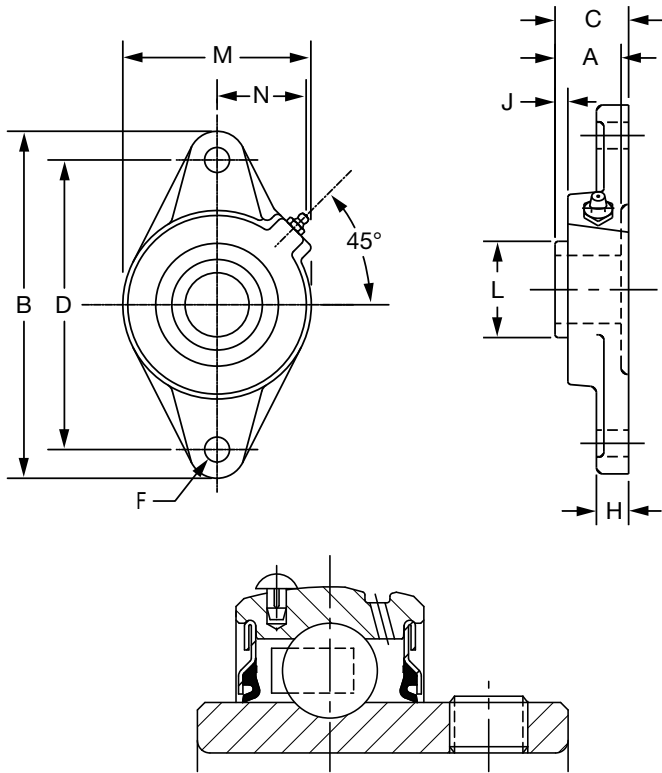
Series	Shaft Size	Weight lbs. kgs.	A	B	C	D	F Bolt Dia.	H	J	L	M	N
208	1-1/2	4.1	1.94	6.75	1.97	5.66	1/2	0.56	0.63	2.05	4.13	1.83
	1-5/8	4.0										
	40mm	1.8	49.3	171.5	50.0	143.8	M12	14.2	16.0	52.1	104.9	46.5
209	1-5/8	5.2	1.94	7.06	1.99	5.84	1/2	0.63	0.59	2.22	4.38	1.91
	1-11/16	5.0										
	1-3/4	4.9										
	1-13/16	4.7										
	45mm	2.2	49.3	179.3	50.5	148.3	M14	16.0	15.0	56.4	111.3	48.5
210	1-15/16	5.4	1.94	7.44	2.02	6.19	1/2	0.63	0.55	2.43	4.56	2.03
	2	5.2										
	50mm	2.5	49.3	189.0	51.3	157.2	M16	16.0	14.0	61.7	115.8	51.6
211	2	6.7	2.22	8.63	2.28	7.25	5/8	0.67	0.68	2.71	5.25	2.27
	2-3/16	6.5										
	2-1/4	6.3										
	55mm	3.0	56.4	219.2	57.9	184.2	M16	17.0	17.3	68.8	133.4	57.7
212	2-1/4	7.4	2.31	9.81	2.38	7.96	5/8	0.81	0.66	2.97	5.50	2.47
	2-7/16	7.0										
	60mm	3.4	58.7	249.2	60.5	202.1	M22	20.6	16.8	75.4	139.7	62.7

FEATURES/BENEFITS PAGE B4-3	HOW TO ORDER/NOMENCLATURE PAGE B4-5	SELECTION PAGE B4-6	ACCESSORIES PAGE B4-98
--------------------------------	--	------------------------	---------------------------

SELECTION/DIMENSIONS



Setscrew Ball Bearings SCAH NORMAL DUTY AIR HANDLING 2-BOLT FLANGE BEARINGS



Series	Shaft Size	Part No.	Description
203	1/2	@	F2B-SCAH-008
	5/8	049742	F2B-SCAH-010
	17mm	056902	F2B-SCAH-17M
204	1/2	@	F2B-SCAH-008L
	5/8	@	F2B-SCAH-010L
	3/4	123730	F2B-SCAH-012
	20mm	076602	F2B-SCAH-20M
205	7/8	@	F2B-SCAH-014
	15/16	124244	F2B-SCAH-015
	1	123731	F2B-SCAH-100
	25mm	@	F2B-SCAH-25M
206	1-1/16	@	F2B-SCAH-101
	1-1/8	@	F2B-SCAH-102
	1-3/16	123732	F2B-SCAH-103
	1-1/4	123184	F2B-SCAH-104S
	30mm	@	F2B-SCAH-30M
207	1-1/4	123733	F2B-SCAH-104
	1-5/16	@	F2B-SCAH-105
	1-3/8	@	F2B-SCAH-106
	1-7/16	123734	F2B-SCAH-107
	35mm	@	F2B-SCAH-35M

@ Assembled to order

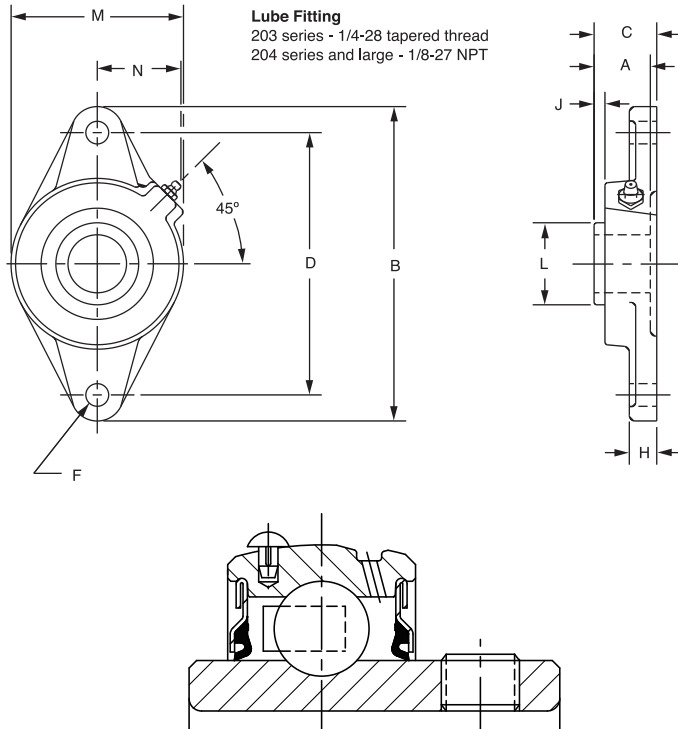
Series	Shaft Size	Weight lbs. kgs.	A	B	C	D	F	H	J	L	M	N
203	1/2	0.8	1.00	3.88	1.17	3.00	3/8	0.38	0.32	0.96	2.13	1.13
	5/8	0.7										
	17mm	0.3	25.4	98.6	29.7	76.2	M10	9.7	8.1	24.4	54.1	28.7
204	1/2	1.6	1.23	4.41	1.34	3.53	3/8	0.50	0.36	1.12	2.38	1.50
	5/8	1.5										
	3/4	1.4										
	20mm	0.5	31.2	112.0	34.0	89.7	M10	12.7	9.1	28.4	60.5	38.1
205	7/8	1.6	1.34	4.88	1.37	3.89	7/16	0.52	0.42	1.32	2.75	1.44
	15/16	1.5										
	1	1.4										
	25mm	0.6	34.0	124.0	34.8	98.8	M10	13.2	10.7	33.5	69.9	36.6
206	1-1/16	2.0	1.52	5.56	1.56	4.59	7/16	0.50	0.49	1.57	3.13	1.56
	1-1/8	2.2										
	1-3/16	2.1										
	1-1/4	2.0										
	30mm	1.0	38.6	141.2	39.6	116.7	M10	12.7	12.4	39.9	79.5	39.6
207	1-1/4	3.5	1.71	6.13	1.75	5.12	1/2	0.56	0.53	1.84	3.75	1.84
	1-5/16	3.45										
	1-3/8	3.2										
	1-7/16	3.1										
	35mm	1.5	43.4	155.7	44.5	130.0	M12	14.2	13.5	46.7	95.3	46.7

FEATURES/BENEFITS PAGE B4-3	HOW TO ORDER/NOMENCLATURE PAGE B4-5	SELECTION PAGE B4-6	ACCESSORIES PAGE B4-98
--------------------------------	--	------------------------	---------------------------



SELECTION/DIMENSIONS

Setscrew Ball Bearings SCAH NORMAL DUTY AIR HANDLING 2-BOLT FLANGE BEARINGS



Series	Shaft Size	Part No.	Description
208	1-1/2	123735	F2B-SCAH-108
	1-5/8	@	F2B-SCAH-110
	40mm	@	F2B-SCAH-40M
209	1-5/8	@	F2B-SCAH-110L
	1-11/16	123736	F2B-SCAH-111
	1-3/4	123737	F2B-SCAH-112
	45mm	@	F2B-SCAH-45M
210	1-15/16	123738	F2B-SCAH-115
	2	@	F2B-SCAH-200
	50mm	@	F2B-SCAH-50M
211	2	@	F2B-SCMAH-200
	2/3/16	124794	F2B-SCAH-203
	2-1/4	@	F2B-SCAH-204
	55mm	@	F2B-SCAH-55M
212	2-1/4	@	F2B-SCMAH-204
	2-7/16	057707	F2B-SCAH-207
	60mm	@	F2B-SCAH-60M

@ Assembled to order

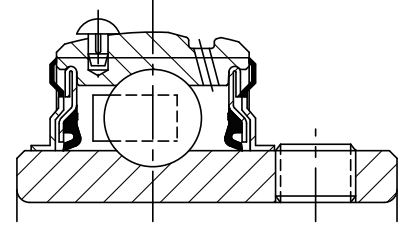
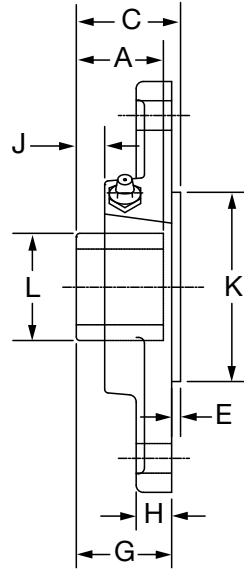
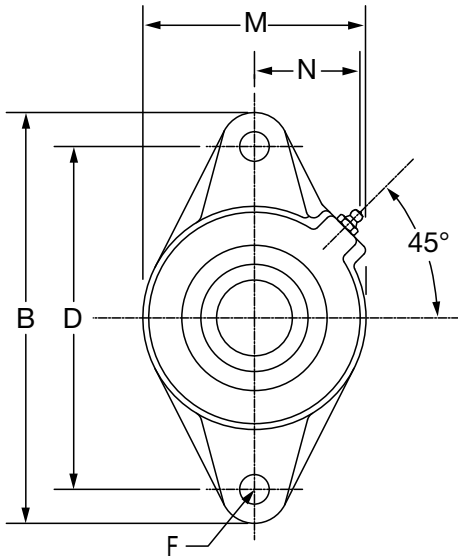
Series	Shaft Size	Weight lbs. kgs.	A	B	C	D	F Bolt Dia.	H	J	L	M	N
208	1-1/2	4.1	1.94	6.75	1.97	5.66	1/2	0.56	0.63	2.05	4.13	1.83
	1-5/8	4.0										
	40mm	1.8	49.3	171.5	50.0	143.8	M12	14.2	16.0	52.1	104.9	46.5
209	1-5/8	5.2	1.94	7.06	1.99	5.84	1/2	0.63	0.59	2.22	4.38	1.91
	1-11/16	5.0										
	1-3/4	4.9										
	45mm	2.2	49.3	179.3	50.5	148.3	M14	16.0	15.0	56.4	111.3	48.5
210	1-15/16	5.4	1.94	7.44	2.02	6.19	1/2	0.63	0.55	2.43	4.56	2.03
	2	5.2										
	50mm	2.5	49.3	189.0	51.3	157.2	M16	16.0	14.0	61.7	115.8	51.6
211	2	6.7	2.22	8.63	2.28	7.25	5/8	0.67	0.68	2.71	5.25	2.27
	2/3/16	6.4										
	2-1/4	6.3										
	55mm	3.0	56.4	219.2	57.9	184.2	M16	17.0	17.3	68.8	133.4	57.7
212	2-1/4	7.4	2.31	9.81	2.38	7.96	5/8	0.81	0.66	2.97	5.50	2.47
	2-7/16	7.0										
	60mm	3.4	58.7	249.2	60.5	202.1	M22	20.6	16.8	75.4	139.7	62.7

FEATURES/BENEFITS PAGE B4-3	HOW TO ORDER/NOMENCLATURE PAGE B4-5	SELECTION PAGE B4-6	ACCESSORIES PAGE B4-98
--------------------------------	--	------------------------	---------------------------

SELECTION/DIMENSIONS



Setscrew Ball Bearings SC NORMAL DUTY 2-BOLT PILOTED FLANGE BEARINGS



Series	Shaft Size	Part No.	Description
204	1/2	@	F2BZ-SC-008L
	5/8	064775	F2BZ-SC-010L
	3/4	062648	F2BZ-SC-012
	20mm	130367	F2BZ-SC-20M
205	7/8	068915	F2BZ-SC-014
	15/16	@	F2BZ-SC-015
	1	056929	F2BZ-SC-100
206	25mm	130368	F2BZ-SC-25M
	1-1/8	049926	F2BZ-SC-102
	1-3/16	064480	F2BZ-SC-103
	1-1/4	064361	F2BZ-SC-104S
207	30mm	130369	F2BZ-SC-30M
	1-1/4	064089	F2BZ-SC-104
	1-3/8	068937	F2BZ-SC-106
	1-7/16	065565	F2BZ-SC-107
208	35mm	130370	F2BZ-SC-35M
	1-1/2	062686	F2BZ-SC-108
	1-5/8	@	F2BZ-SC-110
209	40mm	130371	F2BZ-SC-40M
	1-5/8	@	F2BZ-SC-110L
	1-11/16	068839	F2BZ-SC-111
	1-3/4	@	F2BZ-SC-112
210	45mm	130372	F2BZ-SC-45M
	1-15/16	056845	F2BZ-SC-115
	2	074396	F2BZ-SC-200
	50mm	130373	F2BZ-SC-50M

@ Assembled to order

FEATURES/BENEFITS PAGE B4-3	HOW TO ORDER/NOMENCLATURE PAGE B4-5	SELECTION PAGE B4-6	ACCESSORIES PAGE B4-98
--------------------------------	--	------------------------	---------------------------



SELECTION/DIMENSIONS

Setscrew Ball Bearings SC NORMAL DUTY 2-BOLT PILOTED FLANGE BEARINGS

Bearing Reference Guide

ULTRA KLEEN

E-Z KLEEN

Extreme Duty

Setscrew Ball Bearing

GRIP TIGHT

D-LOK Ball Bearing

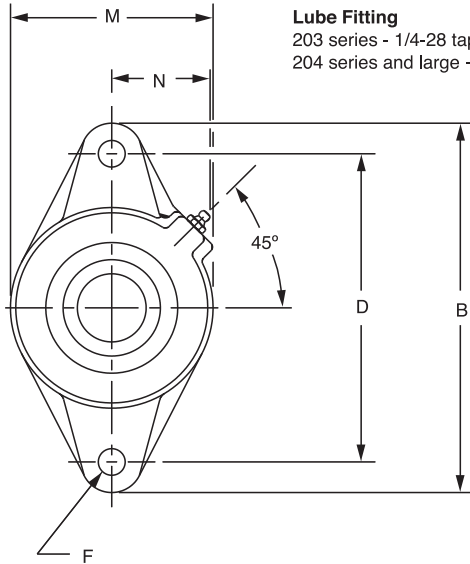
Series	Shaft Size	Weight lbs kg	A	B	C	D	E	F Bolt Dia	G	H	J	K	L	M	N
204	1/2	1.2	1.23	4.41	1.39	3.53	0.14	3/8	1.26	0.50	0.41	2.165/2.163	1.12	2.38	1.50
	5/8	1.2													
	3/4	1.1													
	20mm	0.3	31.2	112.0	35.3	89.7	3.6	M10	32.0	12.7	10.4	54.99/54.94	28.4	60.5	38.1
205	7/8	1.4	1.34	4.88	1.51	3.89	0.14	7/16	1.37	0.52	0.42	2.362/2.360	1.32	2.75	1.44
	15/16	1.4													
	1	1.4													
	25mm	0.6	34.0	124.0	38.4	98.8	3.6	M10	34.8	13.2	10.7	59.99/59.94	33.5	69.9	36.6
206	1-1/8	1.8	1.52	5.56	1.68	4.59	0.12	7/16	1.56	0.50	0.49	3.150/3.148	1.57	3.13	1.56
	1-3/16	1.8													
	1-1/4	1.8													
	30mm	0.8	38.6	141.2	42.7	116.7	3.0	M10	39.6	12.7	12.4	80.01/79.96	39.9	79.5	39.6
207	1-1/4	2.7	1.71	6.13	1.91	5.12	0.16	1/2	1.75	0.56	0.53	3.543/3.541	1.84	3.75	1.84
	1-3/8	2.6													
	1-7/16	2.6													
	35mm	1.2	43.4	155.7	48.5	130.0	4.1	M12	44.5	14.2	13.5	89.99/89.94	46.7	95.3	46.7
208	1-1/2	3.9	1.94	6.75	2.13	5.66	0.16	1/2	1.98	0.56	0.63	3.937/3.935	2.05	4.13	1.83
	1-5/8	3.8													
	40mm	1.7	49.3	171.5	54.1	143.8	4.1	M12	50.3	14.2	16.0	100.00/99.95	52.1	104.9	46.5
209	1-5/8	4.2	1.94	7.06	2.15	5.84	0.16	1/2	1.99	0.63	0.59	4.134/4.132	2.22	4.38	1.91
	1-11/16	4.1													
	1-3/4	4.1													
	45mm	2.5	49.3	179.3	54.6	148.3	4.1	M14	50.5	16.0	15.0	105.00/104.95	56.4	111.3	48.5
210	1-15/16	3.6	1.94	7.44	2.18	6.19	0.16	1/2	2.02	0.63	0.55	4.134/4.132	2.43	4.56	2.03
	2	4.4													
	50mm	2.6	49.3	189.0	55.4	157.2	4.1	M16	51.3	16.0	14.0	105.00/104.95	61.7	115.8	51.6

FEATURES/BENEFITS PAGE B4-3	HOW TO ORDER/NOMENCLATURE PAGE B4-5	SELECTION PAGE B4-6	ACCESSORIES PAGE B4-98
--------------------------------	--	------------------------	---------------------------

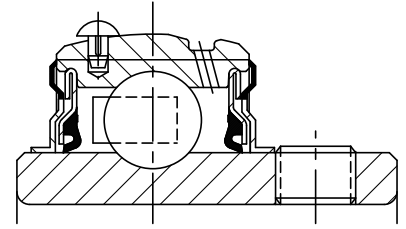
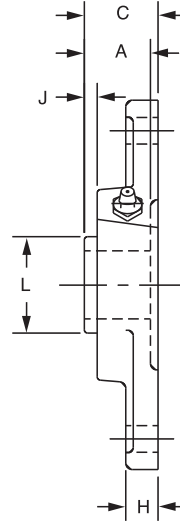
SELECTION/DIMENSIONS



Setscrew Ball Bearings SCM MEDIUM DUTY 2-BOLT FLANGE BEARINGS



Lube Fitting
203 series - 1/4-28 tapered thread
204 series and large - 1/8-27 NPT



Series	Shaft Size	Standard		Sealed for Life	
		Part No.	Description	Part No.	Description
206	1	126284	F2B-SCM-100	@	F2B-SCM-100-NL
	25mm	125954	F2B-SCM-25M	@	F2B-SCM-25M-NL
207	1-3/16	126285	F2B-SCM-103	@	F2B-SCM-103-NL
	1-1/4	124276	F2B-SC-104	126518	F2B-SC-104-NL
	30mm	125955	F2B-SCM-30M	@	F2B-SCM-30M-NL
208	1-7/16	126287	F2B-SCM-107	@	F2B-SCM-107-NL
	35mm	125956	F2B-SCM-35M	@	F2B-SCM-35M-NL
209	1-1/2	126288	F2B-SCM-108	126536	F2B-SCM-108-NL
	1-5/8	125171	F2B-SC-110L	@	F2B-SC-110L-NL
	40mm	125957	F2B-SCM-40M	067674	F2B-SCM-40M-NL
210	1-11/16	126289	F2B-SCM-111	@	F2B-SCM-111-NL
	1-3/4	126290	F2B-SCM-112	@	F2B-SCM-112-NL
	45mm	125958	F2B-SCM-45M	@	F2B-SCM-45M-NL
211	1-15/16	126292	F2B-SCM-115	@	F2B-SCM-115-NL
	2	126293	F2B-SCM-200	065595	F2B-SCM-200-NL
212	50mm	125960	F2B-SCM-50M	@	F2B-SCM-50M-NL
	2-3/16	062746	F2B-SCM-203	@	F2B-SCM-203-NL
	2-1/4	073492	F2B-SCM-204	@	F2B-SCM-204-NL
	55mm	@	F2B-SCM-55M	@	F2B-SCM-55M-NL

@ Assembled to order

FEATURES/BENEFITS PAGE B4-3	HOW TO ORDER/NOMENCLATURE PAGE B4-5	SELECTION PAGE B4-6	ACCESSORIES PAGE B4-98
--------------------------------	--	------------------------	---------------------------



SELECTION/DIMENSIONS

Setscrew Ball Bearings SCM MEDIUM DUTY 2-BOLT FLANGE BEARINGS

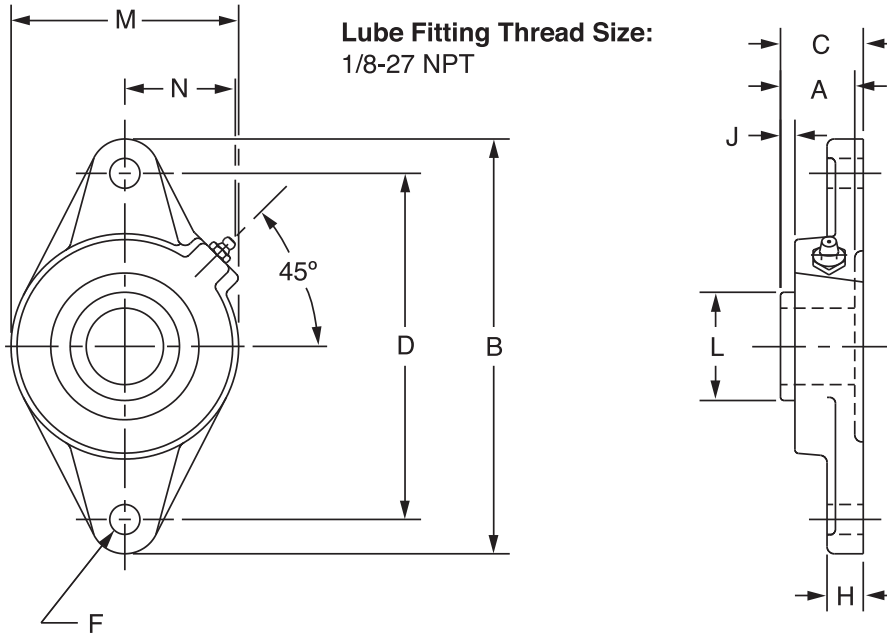
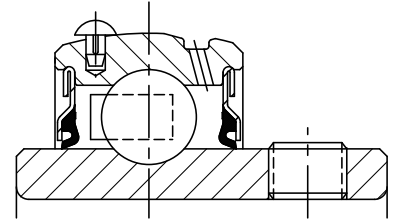
Series	Shaft Size	Weight lbs. kgs.	A	B	C	D	F Bolt Dia.	H	J	L	M	N
206	1	2.4	1.52	5.56	1.56	4.59	7/16	0.50	0.49	1.57	3.13	1.56
	25mm	1.0	38.6	141.2	39.6	116.7	M10	12.7	12.4	39.9	79.5	39.6
207	1-3/16	3.6	1.71	6.13	1.75	5.12	1/2	0.56	0.53	1.84	3.75	1.84
	1-1/4 30mm	3.5 1.6	43.4	155.7	44.5	130.0	M12	14.2	13.5	46.7	95.3	46.7
208	1-7/16	4.1	1.94	6.75	1.98	5.66	1/2	0.56	0.63	2.05	4.13	1.83
	35mm	1.9	49.3	171.5	50.3	143.8	M12	14.2	16.0	52.1	104.9	46.5
209	1-1/2	5.3	1.94	7.06	1.99	5.84	1/2	0.63	0.59	2.22	4.38	1.91
	1-5/8 40mm	5.2 2.3	49.3	179.3	50.5	148.3	M14	16.0	15.0	56.4	111.3	48.5
210	1-11/16	5.8	1.94	7.44	2.02	6.19	1/2	0.63	0.55	2.43	4.56	2.03
	1-3/4 45mm	5.6 2.6	49.3	189.0	51.3	157.2	M16	16.0	14.0	61.7	115.8	51.6
211	1-15/16	6.7	2.22	8.63	2.28	7.25	5/8	0.67	0.68	2.71	5.25	2.27
	2 50mm	6.5 2.9	56.4	219.2	57.9	184.2	M16	17.0	17.3	68.8	133.4	57.7
212	2-3/16	7.4	2.31	9.81	2.38	7.96	5/8	0.81	0.66	2.97	5.50	2.47
	2-1/4 55mm	7.2 3.2	58.7	249.2	60.5	202.1	M22	20.6	16.8	75.4	139.7	62.7

FEATURES/BENEFITS PAGE B4-3	HOW TO ORDER/NOMENCLATURE PAGE B4-5	SELECTION PAGE B4-6	ACCESSORIES PAGE B4-98
--------------------------------	--	------------------------	---------------------------

SELECTION/DIMENSIONS



Setscrew Ball Bearings SCMAH MEDIUM DUTY AIR HANDLING 2-BOLT FLANGE BEARINGS



Series	Shaft Size	Part No.	Standard Description
206	1	050498	F2B-SCMAH-100
	25mm	@	F2B-SCMAH-25M
207	1-3/16	050146	F2B-SCMAH-103
	1-1/4 30mm	123733 @	F2B-SCAH-104 F2B-SCMAH-30M
208	1-7/16 35mm	123755 @	F2B-SCMAH-107 F2B-SCMAH-35M
209	1-1/2	123756	F2B-SCMAH-108
	1-5/8 40mm	@ @	F2B-SCAH-110L F2B-SCMAH-40M
210	1-11/16	123757	F2B-SCMAH-111
	1-3/4 45mm	123758 @	F2B-SCMAH-112 F2B-SCMAH-45M
211	1-15/16	064198	F2B-SCMAH-115
	2 50mm	@ @	F2B-SCMAH-200 F2B-SCMAH-50M
212	2-3/16	@	F2B-SCMAH-203
	2-1/4 55mm	@ @	F2B-SCMAH-204 F2B-SCMAH-55M

@ Assembled to order

FEATURES/BENEFITS PAGE B4-3	HOW TO ORDER/NOMENCLATURE PAGE B4-5	SELECTION PAGE B4-6	ACCESSORIES PAGE B4-98
--------------------------------	--	------------------------	---------------------------

SELECTION/DIMENSIONS



Bearing Reference Guide

ULTRA KLEEN

E-Z KLEEN

Extreme Duty

Setscrew Ball Bearing

GRIP TIGHT

D-LOK Ball Bearing

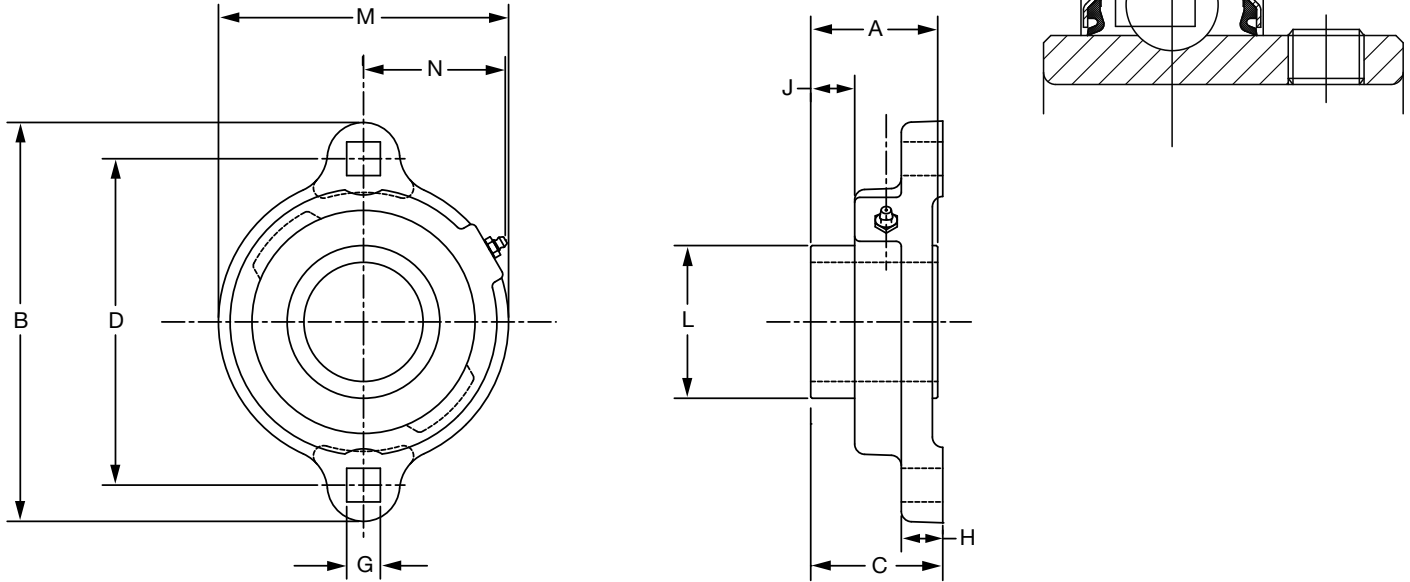
Series	Shaft Size	Weight lbs. kgs.	A	B	C	D	F Bolt Dia.	H	J	L	M	N
206	1	2.4	1.52	5.56	1.56	4.59	7/16	0.50	0.49	1.57	3.13	1.56
	25mm	1.0	38.6	141.2	39.6	116.7	M10	12.7	12.4	39.9	79.5	39.6
207	1-3/16	3.6	1.71	6.13	1.75	5.12	1/2	0.56	0.53	1.84	3.75	1.84
	1-1/4 30mm	3.5 1.6	43.4	155.7	44.5	130.0	M12	14.2	13.5	46.7	95.3	46.7
208	1-7/16	4.1	1.94	6.75	1.98	5.66	1/2	0.56	0.63	2.05	4.13	1.83
	35mm	1.9	49.3	171.5	50.3	143.8	M12	14.2	16.0	52.1	104.9	46.5
209	1-1/2	5.3	1.94	7.06	1.99	5.84	1/2	0.63	0.59	2.22	4.38	1.91
	1-5/8 40mm	5.2 2.3	49.3	179.3	50.5	148.3	M14	16.0	15.0	56.4	111.3	48.5
210	1-11/16	5.8	1.94	7.44	2.02	6.19	1/2	0.63	0.55	2.43	4.56	2.03
	1-3/4 45mm	5.6 2.6	49.3	189.0	51.3	157.2	M16	16.0	14.0	61.7	115.8	51.6
211	1-15/16	6.7	2.22	8.63	2.28	7.25	5/8	0.67	0.68	2.71	5.25	2.27
	2 50mm	6.5 2.9	56.4	219.2	57.9	184.2	M16	17.0	17.3	68.8	133.4	57.7
212	2-3/16	7.4	2.31	9.81	2.38	7.96	5/8	0.81	0.66	2.97	5.50	2.47
	2-1/4 55mm	7.2 3.2	58.7	249.2	60.5	202.1	M22	20.6	16.8	75.4	139.7	62.7

FEATURES/BENEFITS PAGE B4-3	HOW TO ORDER/NOMENCLATURE PAGE B4-5	SELECTION PAGE B4-6	ACCESSORIES PAGE B4-98
--------------------------------	--	------------------------	---------------------------



SELECTION/DIMENSIONS

Setscrew Ball Bearings SC LFT DUTY 2-BOLT FLANGE BEARINGS



Series	Shaft Size	Standard		Sealed for Life (No Lube)	
		Part No.	Description	Part No.	Description
203	1/2	124640	LFT-SC-008	124660	LFT-SC-008-NL
	5/8	124641	LFT-SC-010	124661	LFT-SC-010-NL
	17mm	130362	LFT-SC-17M	@	LFT-SC-17M-NL
204	3/4	124642	LFT-SC-012	124662	LFT-SC-012-NL
	20mm	130363	LFT-SC-20M	062260	LFT-SC-20M-NL
205	7/8	124643	LFT-SC-014	124663	LFT-SC-014-NL
	15/16	124644	LFT-SC-015	124664	LFT-SC-015-NL
	1	124645	LFT-SC-100	124665	LFT-SC-100-NL
	25mm	130364	LFT-SC-25M	068996	LFT-SC-25M-NL
206	1-1/16	124646	LFT-SC-101	124666	LFT-SC-101-NL
	1-1/8	124647	LFT-SC-102	124667	LFT-SC-102-NL
	1-3/16	124648	LFT-SC-103	124668	LFT-SC-103-NL
	1-1/4	124649	LFT-SC-104S	124669	LFT-SC-104S-NL
	30mm	130365	LFT-SC-30M	@	LFT-SC-30M-NL
207	1-1/4	124650	LFT-SC-104	124670	LFT-SC-104-NL
	1-5/16	124651	LFT-SC-105	124671	LFT-SC-105-NL
	1-3/8	124652	LFT-SC-106	124672	LFT-SC-106-NL
	1-7/16	124653	LFT-SC-107	124673	LFT-SC-107-NL
	35mm	130366	LFT-SC-35M	@	LFT-SC-35M-NL

* No lube fitting required in the SCLFT NoLube

@ Assembled to order.

FEATURES/BENEFITS PAGE B4-3	HOW TO ORDER/NOMENCLATURE PAGE B4-5	SELECTION PAGE B4-6	ACCESSORIES PAGE B4-98
--------------------------------	--	------------------------	---------------------------

SELECTION/DIMENSIONS



Setscrew Ball Bearings SC LFT DUTY 2-BOLT FLANGE BEARINGS

Bearing Reference Guide

ULTRA KLEEN

E-Z KLEEN

Extreme Duty

Setscrew Ball Bearing

GRIP TIGHT

D-LOK Ball Bearing

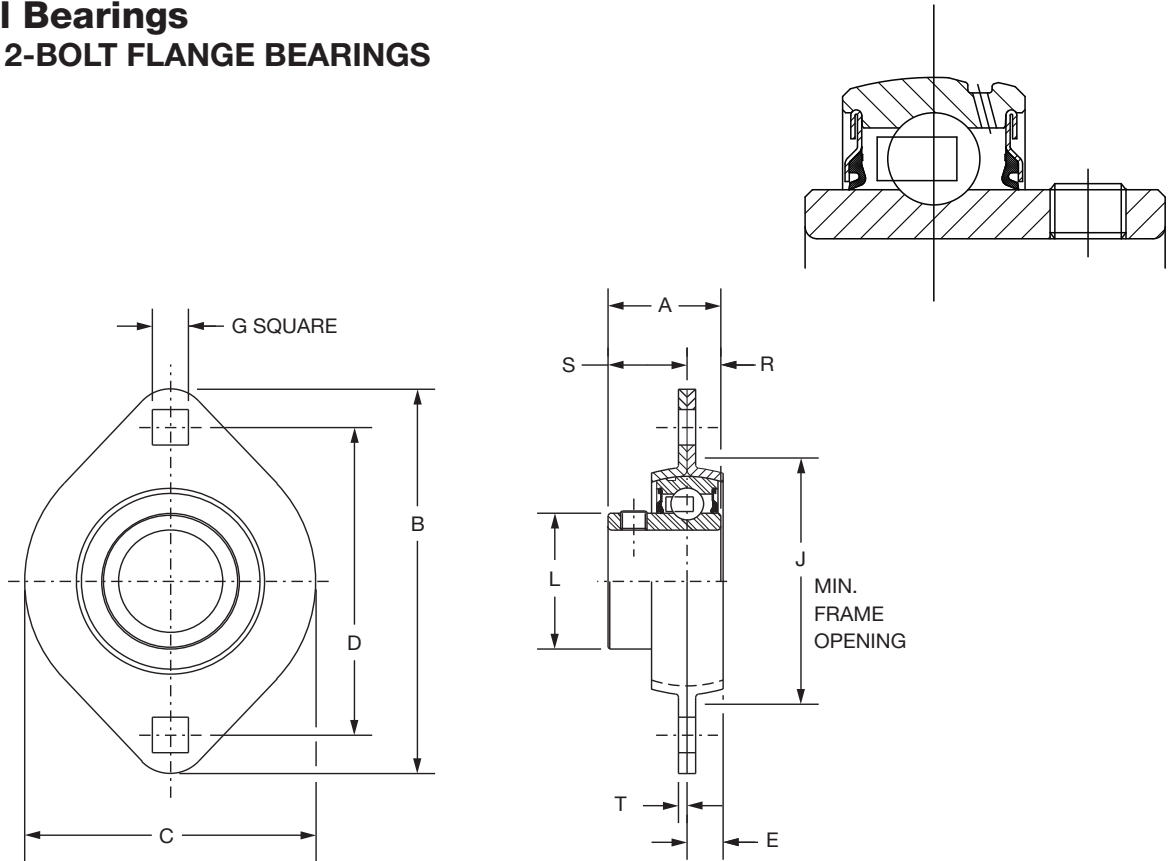
Series	Shaft Size	Weight lbs. kgs.	A	B	C	D	G	H	J	L	M	N
203	1/2	0.60	1.00	3.19	1.05	2.50	0.28	0.38	0.33	0.96	2.13	1.23
	5/8	0.55										
	17mm	0.27	25.4	81.0	26.7	63.5	7.1	9.7	8.4	24.4	54.1	31.2
204	3/4	0.80	1.02	3.56	1.21	2.81	0.34	0.42	0.36	1.12	2.38	1.34
	20mm	0.36	25.9	90.4	30.7	71.4	8.6	10.7	9.1	28.4	60.5	34.0
205	7/8	0.95	1.06	3.75	1.24	3.00	0.34	0.42	0.37	1.32	2.63	1.44
	15/16	0.90										
	1	0.85										
	25mm	0.43	26.9	95.3	31.5	76.2	8.6	10.7	9.4	33.5	66.8	36.6
206	1-1/16	1.50	1.26	4.44	1.45	3.56	0.41	0.47	0.46	1.57	3.25	1.72
	1-1/8	1.45										
	1-3/16	1.40										
	1-1/4	1.35										
	30mm	0.67	32.0	112.8	36.8	90.4	10.4	11.9	11.7	39.9	82.6	43.7
207	1-1/4	1.85	1.40	4.82	1.59	3.94	0.41	0.50	0.52	1.84	3.50	1.83
	1-5/16	1.80										
	1-3/8	1.75										
	1-7/16	1.70										
	35mm	0.81	35.6	122.4	40.4	100.1	10.4	12.7	13.2	46.7	88.9	46.5

FEATURES/BENEFITS PAGE B4-3	HOW TO ORDER/NOMENCLATURE PAGE B4-5	SELECTION PAGE B4-6	ACCESSORIES PAGE B4-98
--------------------------------	--	------------------------	---------------------------

SELECTION/DIMENSIONS



Setscrew Ball Bearings SL LIGHT DUTY 2-BOLT FLANGE BEARINGS



Series	Shaft Size	Part No.	Description
203	1/2	128151	F2B-SL-008
	5/8	128154	F2B-SL-010
	17mm	068789	F2B-SL-17M
204	3/4	128092	F2B-SL-012
	20mm	074287	F2B-SL-20M
205	7/8	128174	F2B-SL-014
	15/16	128175	F2B-SL-015
	1	128093	F2B-SL-100
	25mm	074288	F2B-SL-25M
206	1-1/8	128176	F2B-SL-102
	1-3/16	128094	F2B-SL-103
	1-1/4	128097	F2B-SL-104S
	30mm	@	F2B-SL-30M
207	1-1/4	128095	F2B-SL-104
	1-3/8	128177	F2B-SL-106
	1-7/16	128096	F2B-SL-107
	35mm	068532	F2B-SL-35M

FEATURES/BENEFITS PAGE B4-3	HOW TO ORDER/NOMENCLATURE PAGE B4-5	SELECTION PAGE B4-6	ACCESSORIES PAGE B4-98
--------------------------------	--	------------------------	---------------------------



SELECTION/DIMENSIONS

Setscrew Ball Bearings SL LIGHT DUTY 2-BOLT FLANGE BEARINGS

Bearing Reference Guide
 ULTRA KLEEN
 E-Z KLEEN
 Extreme Duty
 Setscrew Ball Bearing
 GRIP TIGHT
 D-LOK Ball Bearing

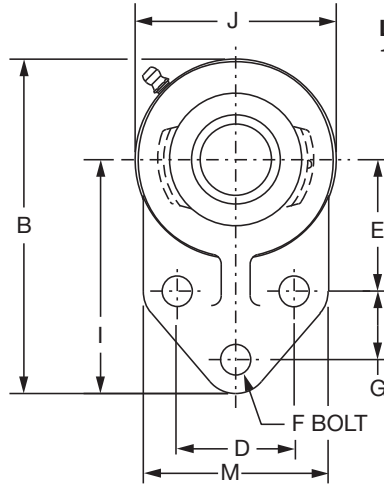
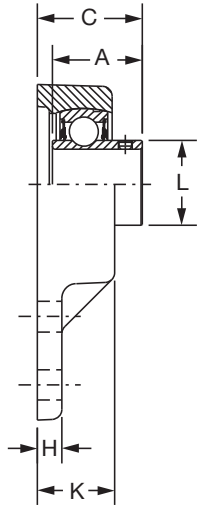
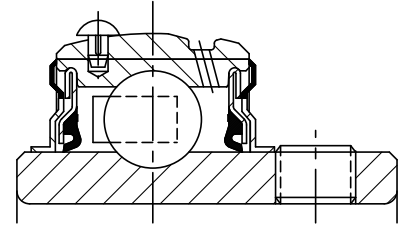
Series	Shaft Size	Weight lbs. kgs.	A	B	C	D	E	G	J	L	R	S	T
203	1/2	0.45	1.00	3.19	2.31	2.54	0.28	0.28	1.94	0.96	0.36	0.64	0.08
	5/8	0.42											
	17mm	0.20	25.4	81.0	58.7	64.5	7.1	7.1	49.3	24.4	9.1	16.3	2.0
204	3/4	0.55	1.02	3.56	2.63	2.81	0.31	0.34	2.19	1.12	0.29	0.73	0.08
	20mm	0.25	25.9	90.4	66.8	71.4	7.9	8.6	55.6	28.4	7.4	18.5	2.0
205	7/8	0.891	1.06	3.75	2.80	3.00	0.34	0.34	2.38	1.32	0.30	0.76	0.08
	15/16	0.77											
	1 25mm	0.65 0.34	26.9	95.3	71.1	76.2	8.6	8.6	60.5	33.5	7.6	19.3	2.0
206	1-1/8	1.05	1.26	4.44	3.31	3.56	0.34	0.41	2.81	1.57	0.35	0.91	0.10
	1-3/16	1.02											
	1-1/4 30mm	1.00 0.46	32.0	112.8	84.1	90.4	8.6	10.4	71.4	39.9	8.9	23.1	2.5
207	1-1/4	1.53	1.40	4.94	3.69	3.94	0.44	0.41	3.19	1.84	0.37	1.03	0.10
	1-3/8	1.5											
	1-7/16 35mm	1.37 0.67	35.6	125.5	93.7	100.1	11.2	10.4	81.0	46.7	9.4	26.2	2.5

FEATURES/BENEFITS PAGE B4-3	HOW TO ORDER/NOMENCLATURE PAGE B4-5	SELECTION PAGE B4-6	ACCESSORIES PAGE B4-98
--------------------------------	--	------------------------	---------------------------

SELECTION/DIMENSIONS



Setscrew Ball Bearings SC FB NORMAL DUTY 3-BOLT FLANGED BRACKET BEARINGS



Lube Fitting Thread Size:
1/8-27 NPT

Series	Shaft Size	Standard		No Lube/Sealed for Life (-NL)	
		Part No.	Description	Part No.	Description
204	1/2	124435	FB-SC-008	068720	FB-SC-008-NL
	5/8	124436	FB-SC-010	059816	FB-SC-010-NL
	3/4	124437	FB-SC-012	058544	FB-SC-012-NL
205	7/8	124438	FB-SC-014	056765	FB-SC-014-NL
	15/16	124439	FB-SC-015	@	FB-SC-015-NL
206	1	124440	FB-SC-100	051774	FB-SC-100-NL
	1-1/16	124441	FB-SC-101	@	FB-SC-101-NL
	1-1/8	124442	FB-SC-102	@	FB-SC-102-NL
	1-3/16	124443	FB-SC-103	049615	FB-SC-103-NL
207	1-1/4	124444	FB-SC-104S	124450	FB-SC-104S-NL
	1-1/4	124445	FB-SC-104	058545	FB-SC-104-NL
	1-5/16	124446	FB-SC-105	@	FB-SC-105-NL
	1-3/8	124447	FB-SC-106	@	FB-SC-106-NL
210	1-7/16	124448	FB-SC-107	052016	FB-SC-107-NL
	1-11/16	052906	FB-SCM-111	068840	FB-SCM-111-NL
	1-15/16	052094	FB-SC-115	073669	FB-SC-115-NL
	2	058529	FB-SC-200	073139	FB-SC-200-NL

@ Assembled to order.

FEATURES/BENEFITS PAGE B4-3	HOW TO ORDER/NOMENCLATURE PAGE B4-5	SELECTION PAGE B4-6	ACCESSORIES PAGE B4-98
--------------------------------	--	------------------------	---------------------------

SELECTION/DIMENSIONS



Setscrew Ball Bearings SC FB NORMAL DUTY 3-BOLT FLANGED BRACKET BEARINGS

Bearing Reference Guide
 ULTRA KLEEN
 E-Z KLEEN
 Extreme Duty
 Setscrew Ball Bearing
 GRIP TIGHT
 D-LOK Ball Bearing

Series	Shaft Size	Weight lbs. kgs.	A	B	C	D	E	F Bolt Dia.	G	H	I	J	K	L	M
204	1/2	1.51	1.23	4.25	1.34	1.50	1.69	3/8	0.88	0.31	3.00	2.50	0.98	1.12	2.38
	5/8	1.48													
	3/4	1.45	31.2	108.0	34.0	38.1	42.9	M10	22.4	7.9	76.2	63.5	24.9	28.4	60.5
205	7/8	1.81	1.34	4.75	1.51	1.63	1.81	3/8	1.13	0.38	3.38	2.75	1.11	1.32	2.50
	15/16	1.78													
	1	1.75	34.0	120.7	38.4	41.4	46.0	M10	28.7	9.7	85.9	69.9	28.2	33.5	63.5
206	1-1/16	2.12	1.52	5.38	1.65	1.88	2.06	3/8	1.25	0.38	3.75	3.25	1.13	1.57	2.75
	1-1/8	2.08													
	1-3/16	2.05													
	1-1/4	2.02	38.6	136.7	41.9	47.8	52.3	M10	31.8	9.7	95.3	82.6	28.7	39.9	69.9
207	1-1/4	3.46	1.71	6.13	1.88	2.00	2.37	1/2	1.25	0.50	4.25	3.75	1.31	1.84	3.25
	1-5/16	3.41													
	1-3/8	3.36													
	1-7/16	3.30	43.4	155.7	47.8	50.8	60.2	M12	31.8	12.7	108.0	95.3	33.3	46.7	82.6
210	1-11/16	5.70	1.94	7.50	2.06	2.75	2.94	1/2	1.63	0.50	5.19	4.63	1.50	2.43	4.00
	1-15/16	5.50													
	2	5.40	49.3	190.5	52.3	69.9	74.7	M12	41.4	12.7	131.8	117.6	38.1	61.7	101.6

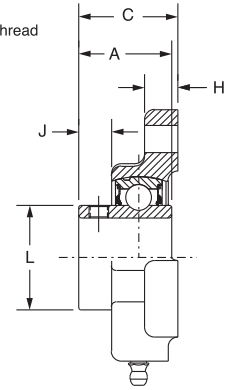
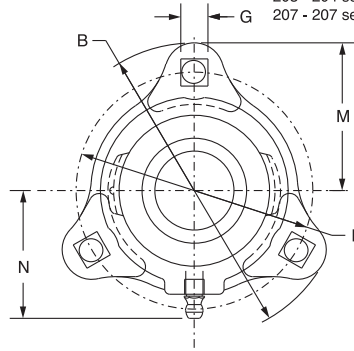
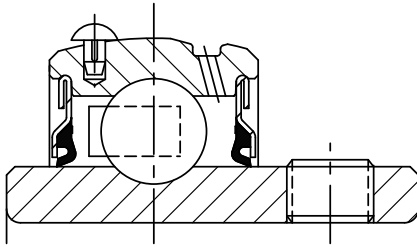
FEATURES/BENEFITS PAGE B4-3	HOW TO ORDER/NOMENCLATURE PAGE B4-5	SELECTION PAGE B4-6	ACCESSORIES PAGE B4-98
--------------------------------	--	------------------------	---------------------------

SELECTION/DIMENSIONS



Setscrew Ball Bearings SC LF NORMAL DUTY 3-BOLT FLANGE BEARINGS

Lube Fitting Thread Size:
203 - 204 series - 1/4-28 tapered thread
207 - 207 series - 1/8-27 NPT



Series	Shaft Size	Standard		Sealed for Life (No Lube)	
		Part No.	Description	Part No.	Description
203	1/2	124600	LF-SC-008	124620	LF-SC-008-NL
	5/8	124601	LF-SC-010	124621	LF-SC-010-NL
	17mm	050895	LF-SC-17M	@	LF-SC-17M-NL
204	3/4	124602	LF-SC-012	124622	LF-SC-012-NL
	20mm	124934	LF-SC-20M	125384	LF-SC-20M-NL
205	7/8	124603	LF-SC-014	124623	LF-SC-014-NL
	15/16	124604	LF-SC-015	124624	LF-SC-015-NL
	1	124605	LF-SC-100	124625	LF-SC-100-NL
	25mm	@	LF-SC-25M	@	LF-SC-25M-NL
206	1-1/16	124606	LF-SC-101	124626	LF-SC-101-NL
	1-1/8	124607	LF-SC-102	124627	LF-SC-102-NL
	1-3/16	124608	LF-SC-103	124628	LF-SC-103-NL
	1-1/4	124609	LF-SC-104S	124629	LF-SC-104S-NL
	30mm	067892	LF-SC-30M	@	LF-SC-30M-NL
207	1-1/4	124610	LF-SC-104	124630	LF-SC-104-NL
	1-5/16	124611	LF-SC-105	124631	LF-SC-105-NL
	1-3/8	124612	LF-SC-106	124632	LF-SC-106-NL
	1-7/16	124613	LF-SC-107	124633	LF-SC-107-NL
	35mm	065699	LF-SC-35M	@	LF-SC-35M-NL

@ Assembled to order.

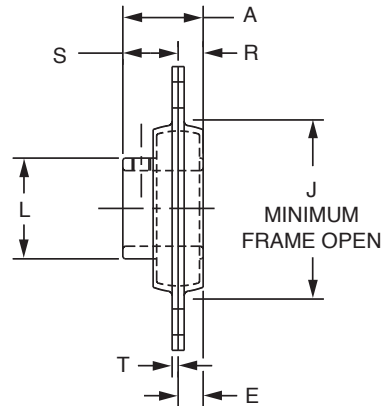
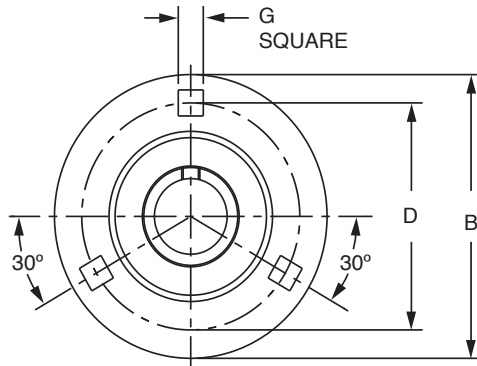
Series	Shaft Size	Weight lbs. kgs.	A	B	C	D	G	H	J	L	M	N
203	1/2	0.65	1.00	3.19	1.05	2.50	0.28	0.38	0.33	0.96	1.59	1.84
	5/8	0.60										
	17mm	0.29	25.4	81.0	26.7	63.5	7.1	9.7	8.4	24.4	40.4	46.7
204	3/4	0.85	1.02	3.56	1.21	2.81	0.34	0.42	0.36	1.12	1.78	1.56
	20mm	0.38	25.9	90.4	30.7	71.4	8.6	10.7	9.1	28.4	45.2	39.6
205	7/8	1.10	1.06	3.75	1.24	3.00	0.34	0.42	0.37	1.32	1.88	1.70
	15/16	1.05										
	1	1.00										
206	25mm	0.47	26.9	95.3	31.5	76.2	8.6	10.7	9.4	33.5	47.8	43.2
	1-1/16	1.65	1.26	4.44	1.45	3.56	0.41	0.47	0.46	1.57	2.22	2.02
	1-1/8	1.60										
	1-3/16	1.55										
207	1-1/4	2.10	1.40	4.81	1.59	3.94	0.41	0.50	0.52	1.84	2.41	2.14
	1-5/16	2.05										
	1-3/8	2.00										
	1-7/16	1.95										
	35mm	0.90	35.6	122.2	40.4	100.1	10.4	12.7	13.2	46.7	61.2	54.4

FEATURES/BENEFITS PAGE B4-3	HOW TO ORDER/NOMENCLATURE PAGE B4-5	SELECTION PAGE B4-6	ACCESSORIES PAGE B4-98
--------------------------------	--	------------------------	---------------------------



SELECTION/DIMENSIONS

Setscrew Ball Bearings SL LIGHT DUTY 3-BOLT FLANGE BEARINGS



Series	Shaft Size	Part No.	Description
204	3/4	128083	F3B-SL-012
	20mm	@	F3B-SL-20M
205	7/8	128178	F3B-SL-014
	15/16	128179	F3B-SL-015
	1	128084	F3B-SL-100
	25mm	@	F3B-SL-25M
206	1-1/8	128180	F3B-SL-102
	1-3/16	128085	F3B-SL-103
	1-1/4	128082	F3B-SL-104S
	30mm	@	F3B-SL-30M
207	1-1/4	128086	F3B-SL-104
	1-3/8	128181	F3B-SL-106
	1-7/16	128087	F3B-SL-107
	35mm	@	F3B-SL-35M

@ Assembled to order.

Series	Shaft Size	Weight lbs. kgs.	A	B	D	E	G	J	L	R	S	T
204	3/4	0.74	1.02	3.56	2.81	0.31	0.34	2.19	1.12	0.29	0.73	0.08
	20mm	0.33	25.9	90.4	71.4	7.9	8.6	55.6	28.4	7.4	18.5	2.0
205	7/8	1.01	1.06	3.75	3.00	0.34	0.34	2.38	1.32	0.30	0.76	0.08
	15/16	0.97										
	1	0.85										
	25mm	0.43	26.9	95.3	76.2	8.6	8.6	60.5	33.5	7.6	19.3	2.0
206	1-1/8	1.39	1.26	4.44	3.56	0.34	0.41	2.81	1.57	0.35	0.91	0.10
	1-3/16	1.36										
	1-1/4	1.34										
	30mm	0.61	32.0	112.8	90.4	8.6	10.4	71.4	39.9	8.9	23.1	2.5
207	1-1/4	1.89	1.40	4.81	3.94	0.38	0.41	3.19	1.84	0.37	1.03	0.10
	1-3/8	1.86										
	1-7/16	1.73										
	35mm	0.83	35.6	122.2	100.1	9.7	10.4	81.0	46.7	9.4	26.2	2.5

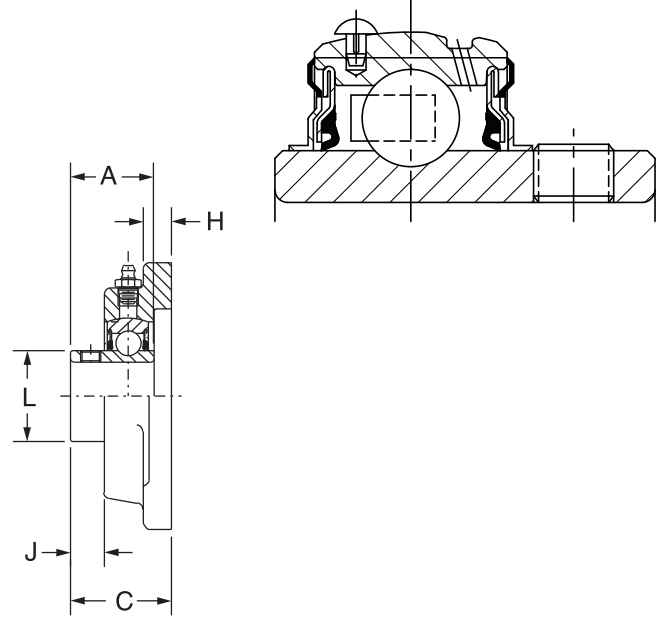
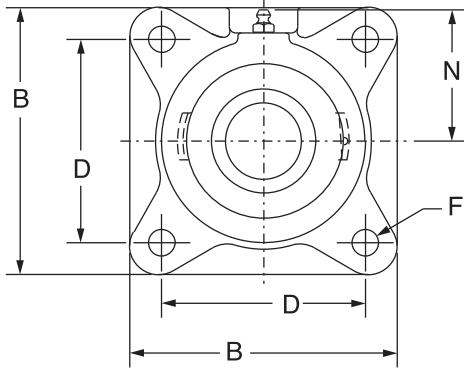
FEATURES/BENEFITS PAGE B4-3	HOW TO ORDER/NOMENCLATURE PAGE B4-5	SELECTION PAGE B4-6	ACCESSORIES PAGE B4-98
--------------------------------	--	------------------------	---------------------------

SELECTION/DIMENSIONS



Setscrew Ball Bearings SC NORMAL DUTY 4-BOLT FLANGE BEARINGS

Lube Fitting Thread Size:
 203 - 204 series - 1/4-28 tapered thread
 207 - 207 series - 1/8-27 NPT



Series	Shaft Size	Standard		No-Lube/Sealed for Life (-NL)	
		Part No.	Description	Part No.	Description
203	1/2	124048	F4B-SC-008	@	F4B-SC-008-NL
	5/8	124049	F4B-SC-010	067642	F4B-SC-010-NL
	17mm	125885	F4B-SC-17M	@	F4B-SC-17M-NL
204	1/2	124098	F4B-SC-008L	@	F4B-SC-008L-NL
	5/8	124099	F4B-SC-010L	@	F4B-SC-010L-NL
	3/4	124100	F4B-SC-012	052010	F4B-SC-012-NL
	13/16	124567	F4B-SC-013	@	F4B-SC-013-NL
	20mm	125886	F4B-SC-20M	074714	F4B-SC-20M-NL
205	7/8	124101	F4B-SC-014	075765	F4B-SC-014-NL
	15/16	124102	F4B-SC-015	126524	F4B-SC-015-NL
	1	124103	F4B-SC-100	126525	F4B-SC-100-NL
	25mm	125887	F4B-SC-25M	064943	F4B-SC-25M-NL
206	1-1/16	124218	F4B-SC-101	@	F4B-SC-101-NL
	1-1/8	124204	F4B-SC-102	126526	F4B-SC-102-NL
	1-3/16	124205	F4B-SC-103	050834	F4B-SC-103-NL
	1-1/4	123173	F4B-SC-104S	051987	F4B-SC-104S-NL
	30mm	125888	F4B-SC-30M	067874	F4B-SC-30M-NL
207	1-1/4	124206	F4B-SC-104	126528	F4B-SC-104-NL
	1-5/16	124219	F4B-SC-105	@	F4B-SC-105-NL
	1-3/8	124207	F4B-SC-106	052009	F4B-SC-106-NL
	1-7/16	124208	F4B-SC-107	050835	F4B-SC-107-NL
	35mm	125889	F4B-SC-35M	@	F4B-SC-35M-NL

@ Assembled to order

FEATURES/BENEFITS PAGE B4-3	HOW TO ORDER/NOMENCLATURE PAGE B4-5	SELECTION PAGE B4-6	ACCESSORIES PAGE B4-98
--------------------------------	--	------------------------	---------------------------



SELECTION/DIMENSIONS

Setscrew Ball Bearings SC NORMAL DUTY 4-BOLT FLANGE BEARINGS

Bearing Reference Guide

ULTRA KLEEN

E-Z KLEEN

Extreme Duty

Setscrew Ball Bearing

GRIP TIGHT

D-LOK Ball Bearing

Series	Shaft Size	Weight lbs. kgs.	A	B	C	D	F	H	J	L	N
203	1/2	1.1	1.00	3.00	1.17	2.13	3/8	0.44	0.32	0.96	1.69
	5/8	1.0									
	17mm	0.5	25.4	76.2	29.7	54.0	M10	11.2	8.1	24.4	42.9
204	1/2	1.8	1.23	3.38	1.34	2.5	3/8	0.44	0.36	1.12	1.94
	5/8	1.7									
	3/4	1.6									
	13/16	1.5									
	20mm	0.8	31.2	85.9	34.0	63.5	M10	11.2	9.1	28.4	49.3
205	7/8	2.0	1.34	3.75	1.37	2.75	7/16	0.50	0.42	1.32	2.06
	15/16	1.9									
	1	1.8									
	25mm	0.9	34.0	95.3	34.8	69.9	M10	12.7	10.7	33.5	52.3
206	1-1/16	2.9	1.52	4.25	1.56	3.25	7/16	0.50	0.49	1.57	2.19
	1-1/8	2.8									
	1-3/16	2.7									
	1-1/4	2.6									
	30mm	1.3	38.6	108.0	39.6	82.6	M10	12.7	12.4	39.9	55.6
207	1-1/4	4.0	1.71	4.75	1.75	3.63	1/2	0.56	0.53	1.84	2.44
	1-5/16	3.9									
	1-3/8	3.8									
	1-7/16	3.7									
	35mm	1.7	43.4	120.7	44.5	92.1	M12	14.2	13.5	46.7	62.0

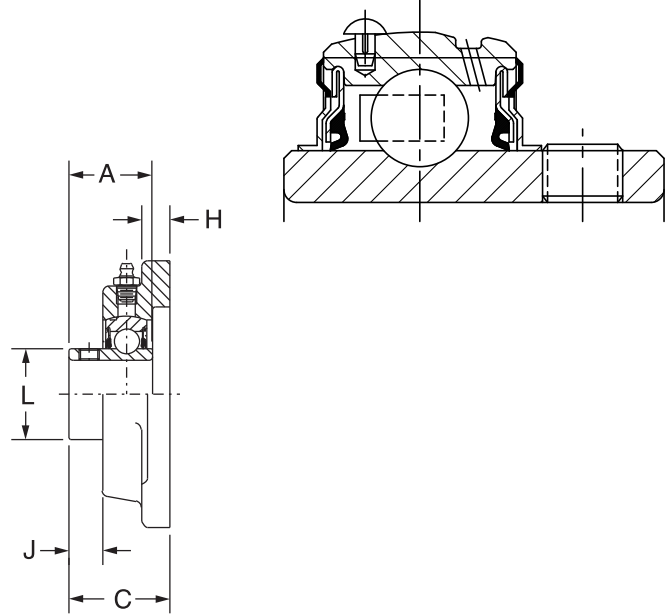
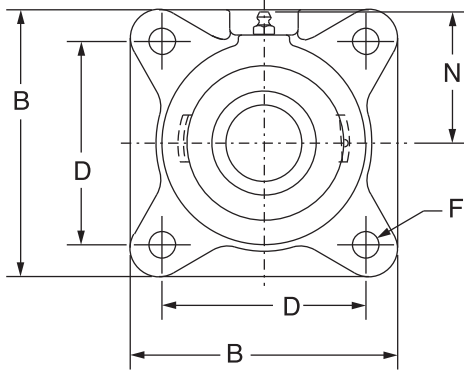
FEATURES/BENEFITS PAGE B4-3	HOW TO ORDER/NOMENCLATURE PAGE B4-5	SELECTION PAGE B4-6	ACCESSORIES PAGE B4-98
--------------------------------	--	------------------------	---------------------------

SELECTION/DIMENSIONS



Setscrew Ball Bearings SC NORMAL DUTY 4-BOLT FLANGE BEARINGS

Lube Fitting Thread Size:
203 - 204 series - 1/4-28 tapered thread
207 - 207 series - 1/8-27 NPT



Series	Shaft Size	Standard		No-Lube/Sealed for Life (-NL)	
		Part No.	Description	Part No.	Description
208	1-1/2	124209	F4B-SC-108	051991	F4B-SC-108-NL
	1-5/8	124210	F4B-SC-110	052008	F4B-SC-110-NL
	40mm	125890	F4B-SC-40M	073769	F4B-SC-40M-NL
209	1-5/8	125170	F4B-SC-110L	@	F4B-SC-110L-NL
	1-11/16	124211	F4B-SC-111	064214	F4B-SC-111-NL
	1-3/4	124212	F4B-SC-112	126531	F4B-SC-112-NL
	45mm	125891	F4B-SC-45M	@	F4B-SC-45M-NL
210	1-15/16	124213	F4B-SC-115	051992	F4B-SC-115-NL
	2	124214	F4B-SC-200	050867	F4B-SC-200-NL
	50mm	125892	F4B-SC-50M	068571	F4B-SC-50M-NL
211	2	126192	F4B-SCM-200	052004	F4B-SCM-200-NL
	2-3/16	124215	F4B-SC-203	052007	F4B-SC-203-NL
	2-1/4	124216	F4B-SC-204	052006	F4B-SC-204-NL
	55mm	125893	F4B-SC-55M	068572	F4B-SC-55M-NL
212	2-1/4	126283	F4B-SCM-204	126537	F4B-SCM-204-NL
	2-7/16	124217	F4B-SC-207	050843	F4B-SC-207-NL
	60mm	125894	F4B-SC-60M	064203	F4B-SC-60M-NL
214	2-1/2	126195	F4B-SCM-208	@	F4B-SCM-208-NL
	2-11/16	124261	F4B-SC-211	@	F4B-SC-211-NL
	70mm	125895	F4B-SC-70M	@	F4B-SC-70M-NL
215	2-15/16	124220	F4B-SC-215	052291	F4B-SC-215-NL
	75mm	125896	F4B-SC-75M	068573	F4B-SC-75M-NL

@ Assembled to order

FEATURES/BENEFITS PAGE B4-3	HOW TO ORDER/NOMENCLATURE PAGE B4-5	SELECTION PAGE B4-6	ACCESSORIES PAGE B4-98
--------------------------------	--	------------------------	---------------------------



SELECTION/DIMENSIONS

Setscrew Ball Bearings SC NORMAL DUTY 4-BOLT FLANGE BEARINGS

Bearing Reference Guide

ULTRA KLEEN

E-Z KLEEN

Extreme Duty

Setscrew Ball Bearing

GRIP TIGHT

D-LOK Ball Bearing

Series	Shaft Size	Weight lbs. kgs.	A	B	C	D	F Bolt Dia	H	J	L	N
208	1-1/2	4.8	1.94	5.13	1.98	4.00	1/2	0.56	0.63	2.05	2.38
	1-5/8	4.7									
	40mm	2.1	49.3	130.3	50.3	101.6	M12	14.2	16.0	52.1	60.5
209	1-5/8	6.1	1.94	5.38	1.99	4.13	1/2	0.63	0.59	2.22	2.75
	1-11/16	6.0									
	1-3/4	5.9									
210	45mm	2.7	49.3	136.7	50.5	104.8	M12	16.0	15.0	56.4	69.9
	1-15/16	6.7	1.94	5.63	2.02	4.38	1/2	0.63	0.55	2.43	2.88
	2	6.6									
211	50mm	3.0	49.3	143.0	51.3	111.1	M12	16.0	14.0	61.7	73.2
	2	9.3	2.22	6.50	2.28	5.13	5/8	0.69	0.68	2.71	3.25
	2-3/16	9.0									
212	2-1/4	8.9									
	55mm	4.1	56.4	165.1	57.9	130.2	M16	17.5	17.3	68.8	82.6
	2-1/4	11.1	2.31	6.88	2.38	5.63	5/8	0.69	0.66	2.97	3.50
214	2-7/16	10.6									
	60mm	6.0	58.7	174.8	60.5	142.9	M16	17.5	16.8	75.4	88.9
	2-1/2	16.0	2.54	7.38	2.78	5.88	5/8	0.69	0.60	3.31	3.69
215	2-11/16	15.4									
	70mm	6.9	64.5	187.5	70.6	149.2	M16	17.5	15.2	84.1	93.7
	2-15/16	17.6	2.33	7.75	2.88	6.00	3/4	1.00	0.63	3.62	3.88
	75mm	8.0	59.2	196.9	73.2	152.4	M18	25.4	16.0	91.9	98.6

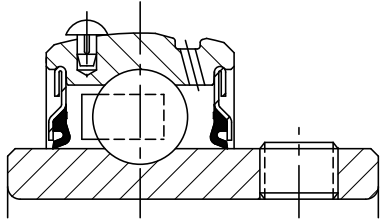
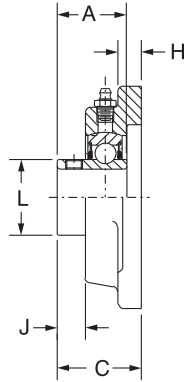
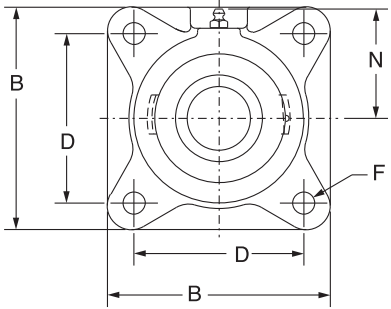
FEATURES/BENEFITS PAGE B4-3	HOW TO ORDER/NOMENCLATURE PAGE B4-5	SELECTION PAGE B4-6	ACCESSORIES PAGE B4-98
--------------------------------	--	------------------------	---------------------------

SELECTION/DIMENSIONS



Setscrew Ball Bearings SCAH NORMAL DUTY AIR HANDLING 4-BOLT FLANGE BEARINGS

Lube Fitting Thread Size:
203 - 204 series - 1/4-28 tapered thread
207 - 207 series - 1/8-27 NPT



Series	Shaft Size	Part No.	Description
204	1/2	051931	F4B-SCAH-008L
	5/8	050130	F4B-SCAH-010L
	3/4	123740	F4B-SCAH-012
	20mm	@	F4B-SCAH-20M
205	7/8	068301	F4B-SCAH-014
	15/16	124246	F4B-SCAH-015
	1	123741	F4B-SCAH-100
	25mm	058736	F4B-SCAH-25M
206	1-1/16	@	F4B-SCAH-101
	1-1/8	064335	F4B-SCAH-102
	1-3/16	123742	F4B-SCAH-103
	1-1/4	076609	F4B-SCAH-104S
207	30mm	054726	F4B-SCAH-30M
	1-1/4	123743	F4B-SCAH-104
	1-5/16	@	F4B-SCAH-105
	1-3/8	068785	F4B-SCAH-106
208	1-7/16	123744	F4B-SCAH-107
	35mm	064911	F4B-SCAH-35M
	1-1/2	123745	F4B-SCAH-108
	1-5/8	@	F4B-SCAH-110
	40mm	064912	F4B-SCAH-40M

@ Assembled to order

Series	Shaft Size	Weight lbs. kgs.	A	B	C	D	F Bolt Dia.	H	J	L	N
204	1/2	1.8	1.23	3.38	1.34	2.50	3/8	0.44	0.36	1.12	1.94
	5/8	1.7									
	3/4	1.6									
	20mm	0.8	31.2	85.9	34.0	63.5	M10	11.2	9.1	28.4	49.3
205	7/8	2.0	1.34	3.75	1.37	2.75	7/16	0.50	0.42	1.32	2.06
	15/16	1.9									
	1	1.8									
	25mm	0.9	34.0	95.3	34.8	69.9	M10	12.7	10.7	33.5	52.3
206	1-1/16	2.9	1.52	4.25	1.56	3.25	7/16	0.50	0.49	1.57	2.19
	1-1/8	2.8									
	1-3/16	2.7									
	1-1/4	2.6									
207	30mm	1.3	38.6	108.0	39.6	82.6	M10	12.7	12.4	39.9	55.6
	1-1/4	4.0	1.71	4.75	1.75	3.63	1/2	0.56	0.53	1.84	2.44
	1-5/16	3.9									
	1-3/8	3.8									
208	1-7/16	3.7									
	35mm	1.7	43.4	120.7	44.5	92.1	M12	14.2	13.5	46.7	62.0
	1-1/2	4.8	1.94	5.13	1.98	4.00	1/2	0.56	0.63	2.05	2.38
	1-5/8	4.7									
	40mm	2.1	49.3	130.3	50.3	101.6	M12	14.2	16.0	52.1	60.5

FEATURES/BENEFITS PAGE B4-3	HOW TO ORDER/NOMENCLATURE PAGE B4-5	SELECTION PAGE B4-6	ACCESSORIES PAGE B4-98
--------------------------------	--	------------------------	---------------------------



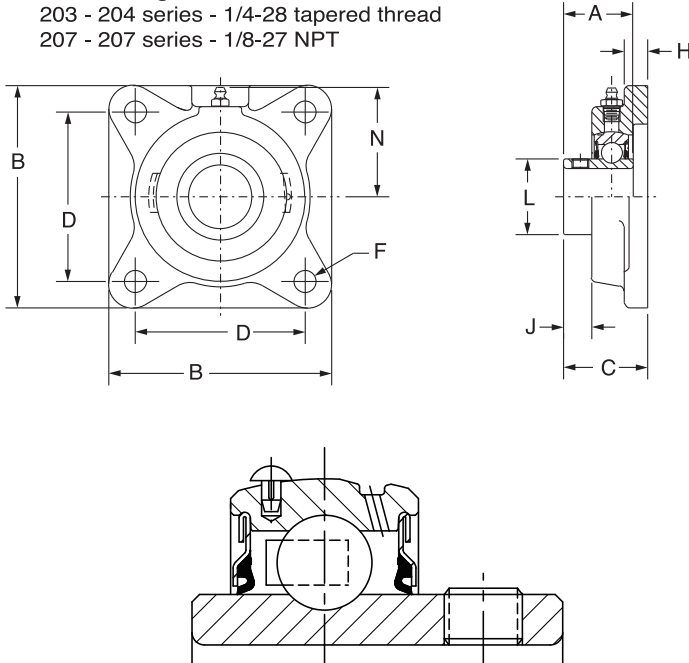
SELECTION/DIMENSIONS

Setscrew Ball Bearings SCAH NORMAL DUTY AIR HANDLING 4-BOLT FLANGE BEARINGS

Lube Fitting Thread Size:

203 - 204 series - 1/4-28 tapered thread

207 - 207 series - 1/8-27 NPT



Series	Shaft Size	Part No.	Description
209	1-5/8	@	F4B-SCAH-110L
	1-11/16	123746	F4B-SCAH-111
	1-3/4	123747	F4B-SCAH-112
	45mm	@	F4B-SCAH-45M
210	1-15/16	123748	F4B-SCAH-115
	2	064853	F4B-SCAH-200
	50mm	064913	F4B-SCAH-50M
211	2	068973	F4B-SCMAH-200
	2-3/16	123749	F4B-SCAH-203
	2-1/4	@	F4B-SCAH-204
	55mm	@	F4B-SCAH-55M
212	2-1/4	064586	F4B-SCMAH-204
	2-7/16	123750	F4B-SCAH-207
	60mm	074008	F4B-SCAH-60M
214	2-1/2	050662	F4B-SCMAH-208
	2-11/16	124395	F4B-SCAH-211
	70mm	@	F4B-SCAH-70M
215	2-15/16	123751	F4B-SCAH-215
	75mm	@	F4B-SCAH-75M

@ Assembled to order

Series	Shaft Size	Weight lbs. kgs.	A	B	C	D	F Bolt Dia.	H	J	L	N
209	1-5/8	6.1	1.94	5.38	1.99	4.13	1/2	0.63	0.59	2.22	2.75
	1-11/16	6.0									
	1-3/4	5.9									
	45mm	2.7	49.3	136.7	50.5	104.8	M14	16.0	15.0	56.4	69.9
210	1-15/16	6.7	1.94	5.63	2.02	4.38	1/2	0.63	0.55	2.43	2.88
	2	6.6									
	50mm	3.0	49.3	143.0	51.3	111.1	M16	16.0	14.0	61.7	73.2
211	2	9.3	2.22	6.50	2.28	5.13	5/8	0.69	0.68	2.71	3.25
	2-3/16	9.0									
	2-1/4	8.9									
	55mm	4.1	56.4	165.1	57.9	130.2	M16	17.5	17.3	68.8	82.6
212	2-1/4	11.1	2.31	6.88	2.38	5.63	5/8	0.69	0.66	2.97	3.50
	2-7/16	10.6									
	60mm	6.0	58.7	174.8	60.5	142.9	M16	17.5	16.8	75.4	88.9
214	2-1/2	16.0	2.54	7.38	2.78	5.88	5/8	0.69	0.60	3.31	3.69
	2-11/16	15.4									
	70mm	6.9	64.5	187.5	70.6	149.2	M16	17.5	15.2	84.1	93.7
215	2-15/16	17.6	2.33	7.75	2.88	6.00	3/4	1.00	0.63	3.62	3.88
	75mm	8.0	59.2	196.9	73.2	152.4	M18	25.4	16.0	91.9	98.6

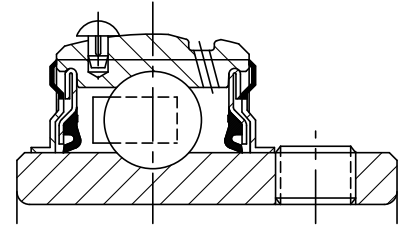
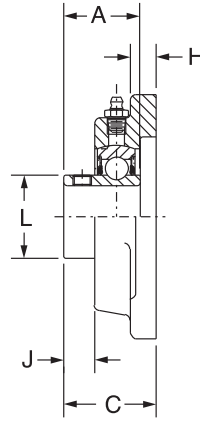
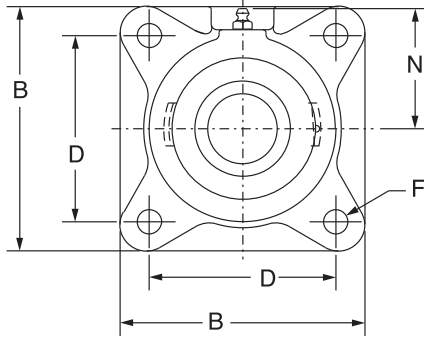
FEATURES/BENEFITS PAGE B4-3	HOW TO ORDER/NOMENCLATURE PAGE B4-5	SELECTION PAGE B4-6	ACCESSORIES PAGE B4-98
--------------------------------	--	------------------------	---------------------------

SELECTION/DIMENSIONS



Setscrew Ball Bearings SCM MEDIUM DUTY 4-BOLT FLANGE BEARINGS

Lube Fitting Thread Size:
203 - 204 series - 1/4-28 tapered thread
207 - 207 series - 1/8-27 NPT



Series	Shaft Size	Standard		No-Lube/Sealed for Life (-NL)	
		Part No.	Description	Part No.	Description
206	1	126226	F4B-SCM-100	052017	F4B-SCM-100-NL
	25mm	125965	F4B-SCM-25M	@	F4B-SCM-25M-NL
207	1-3/16	126227	F4B-SCM-103	056907	F4B-SCM-103-NL
	1-1/4	124206	F4B-SC-104	126528	F4B-SC-104-NL
	30mm	125966	F4B-SCM-30M	@	F4B-SCM-30M-NL
208	1-7/16	126187	F4B-SCM-107	062842	F4B-SCM-107-NL
	35mm	125967	F4B-SCM-35M	@	F4B-SCM-35M-NL
209	1-1/2	126188	F4B-SCM-108	062897	F4B-SCM-108-NL
	1-5/8	125170	F4B-SC-110L	@	F4B-SC-110L-NL
	40mm	125968	F4B-SCM-40M	@	F4B-SCM-40M-NL
210	1-11/16	126189	F4B-SCM-111	065576	F4B-SCM-111-NL
	1-3/4	126190	F4B-SCM-112	@	F4B-SCM-112-NL
	45mm	125969	F4B-SCM-45M	@	F4B-SCM-45M-NL
211	1-15/16	126191	F4B-SCM-115	052302	F4B-SCM-115-NL
	2	126192	F4B-SCM-200	052004	F4B-SCM-200-NL
	50mm	125970	F4B-SCM-50M	073950	F4B-SCM-50M-NL
212	2-3/16	126193	F4B-SCM-203	052003	F4B-SCM-203-NL
	2-1/4	126283	F4B-SCM-204	126537	F4B-SCM-204-NL
	55mm	125971	F4B-SCM-55M	@	F4B-SCM-55M-NL
214	2-7/16	126194	F4B-SCM-207	052002	F4B-SCM-207-NL
	2-1/2	126195	F4B-SCM-208	065653	F4B-SCM-208-NL
	65mm	125972	F4B-SCM-65M	@	F4B-SCM-65M-NL
215	2-11/16	126186	F4B-SCM-211	052205	F4B-SCM-211-NL
	70mm	125973	F4B-SCM-70M	@	F4B-SCM-70M-NL
216	2-15/16	126196	F4B-SCM-215	126538	F4B-SCM-215-NL
	3	126197	F4B-SCM-300	126539	F4B-SCM-300-NL
	75mm	125974	F4B-SCM-75M	@	F4B-SCM-75M-NL
218	3-7/16	126198	F4B-SCM-307	126540	F4B-SCM-307-NL
	3-1/2	126199	F4B-SCM-308	126541	F4B-SCM-308-NL
	85mm	125975	F4B-SCM-85M	@	F4B-SCM-85M-NL

@ Assembled to order

FEATURES/BENEFITS PAGE B4-3	HOW TO ORDER/NOMENCLATURE PAGE B4-5	SELECTION PAGE B4-6	ACCESSORIES PAGE B4-98
--------------------------------	--	------------------------	---------------------------

SELECTION/DIMENSIONS



Setscrew Ball Bearings SCM MEDIUM DUTY 4-BOLT FLANGE BEARINGS

Bearing Reference Guide

ULTRA KLEEN

E-Z KLEEN

Extreme Duty

Setscrew Ball Bearing

GRIP TIGHT

D-LOK Ball Bearing

Series	Shaft Size	Weight lbs. kgs.	A	B	C	D	F	H	J	L	N
206	1	3.0	1.52	4.25	1.56	3.25	7/16	0.50	0.49	1.57	2.19
	25mm	1.3	38.6	108.0	39.6	82.6	M10	12.7	12.4	39.9	55.6
207	1-3/16	4.1	1.71	4.75	1.75	3.63	1/2	0.56	0.53	1.84	2.44
	1-1/4 30mm	4.0 1.4	43.4	120.7	44.5	92.1	M12	14.2	13.5	46.7	62.0
208	1-7/16	5.0	1.94	5.13	1.98	4.00	1/2	0.56	0.63	2.05	2.38
	35mm	2.1	49.3	130.3	50.3	101.6	M12	14.2	16.0	52.1	60.5
209	1-1/2	6.1	1.94	5.38	1.99	4.13	1/2	0.63	0.59	2.22	2.75
	1-5/8 40mm	6.1 2.7	49.3	136.7	50.5	104.8	M12	16.0	15.0	56.4	69.9
210	1-11/16	7.1	1.94	5.63	2.02	4.38	1/2	0.63	0.55	2.43	2.88
	1-3/4 45mm	6.9 3.0	49.3	143.0	51.3	111.1	M12	16.0	14.0	61.7	73.2
211	1-15/16	9.5	2.22	6.50	2.28	5.13	5/8	0.69	0.68	2.71	3.25
	2 50mm	9.3 4.1	56.4	165.1	57.9	130.2	M16	17.5	17.3	68.8	82.6
212	2-3/16	11.3	2.31	6.88	2.38	5.63	5/8	0.69	0.66	2.97	3.50
	2-1/4 55mm	11.1 6.0	58.7	174.8	60.5	142.9	M16	17.5	16.8	75.4	88.9
214	2-7/16	16.2	2.54	7.38	2.78	5.88	5/8	0.69	0.60	3.31	3.69
	2-1/2 65mm	16.0 7.3	64.5	187.5	70.6	149.2	M16	17.5	15.2	84.1	93.7
215	2-11/16	18.3	2.33	7.75	2.88	6.00	3/4	1.00	0.63	3.62	3.88
	70mm	8.0	59.2	196.9	73.2	152.4	M18	25.4	16.0	91.9	98.6
216	2-15/16	21.5	2.38	7.75	3.09	6.00	3/4	0.88	0.59	3.83	4.09
	3 75mm	21.2 9.4	60.5	196.9	78.5	152.4	M18	22.4	15.0	97.3	103.9
218	3-7/16	28.0	2.56	8.44	3.38	6.75	3/4	1.00	0.60	4.35	4.63
	3-1/2 85mm	27.4 12.2	65.0	214.4	85.9	171.5	M18	25.4	15.2	110.5	117.6

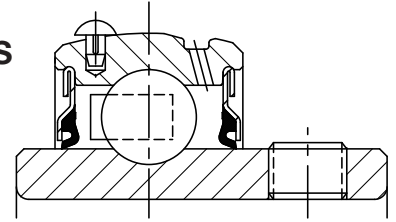
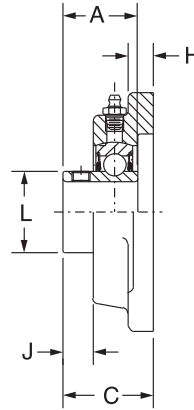
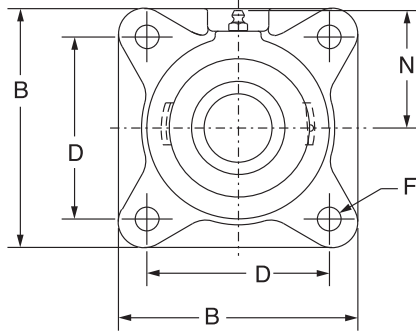
FEATURES/BENEFITS PAGE B4-3	HOW TO ORDER/NOMENCLATURE PAGE B4-5	SELECTION PAGE B4-6	ACCESSORIES PAGE B4-98
--------------------------------	--	------------------------	---------------------------

SELECTION/DIMENSIONS



Setscrew Ball Bearings SCMAH AIR HANDLING MEDIUM DUTY 4-BOLT FLANGE BEARINGS

Lube Fitting Thread Size:
 203 - 204 series - 1/4-28 tapered thread
 207 - 207 series - 1/8-27 NPT



Series	Shaft Size	Part No.	Description
206	1	053901	F4B-SCMAH-100
	25mm	@	F4B-SCMAH-25M
207	1-3/16	050132	F4B-SCMAH-103
	1-1/4	123743	F4B-SCAH-104
	30mm	@	F4B-SCMAH-30M
208	1-7/16	123760	F4B-SCMAH-107
	35mm	@	F4B-SCMAH-35M
209	1-1/2	123761	F4B-SCMAH-108
	1-5/8	@	F4B-SCAH-110L
	40mm	@	F4B-SCMAH-40M
210	1-11/16	123762	F4B-SCMAH-111
	1-3/4	123763	F4B-SCMAH-112
	45mm	067829	F4B-SCMAH-45M
211	1-15/16	123764	F4B-SCMAH-115
	2	068973	F4B-SCMAH-200
212	50mm	075020	F4B-SCMAH-50M
	2-3/16	123765	F4B-SCMAH-203
214	2-1/4	064586	F4B-SCMAH-204
	55mm	@	F4B-SCMAH-55M
215	2-7/16	123766	F4B-SCMAH-207
	2-1/2	050662	F4B-SCMAH-208
216	65mm	@	F4B-SCMAH-65M
	2-11/16	123767	F4B-SCMAH-211
218	70mm	@	F4B-SCMAH-70M
	2-15/16	123768	F4B-SCMAH-215
216	3	073911	F4B-SCMAH-300
	75mm	@	F4B-SCM-75M
218	3-7/16	123769	F4B-SCMAH-307
	3-1/2	057709	F4B-SCMAH-308
	85mm	@	F4B-SCMAH-85M

@ Assembled to order

FEATURES/BENEFITS PAGE B4-3	HOW TO ORDER/NOMENCLATURE PAGE B4-5	SELECTION PAGE B4-6	ACCESSORIES PAGE B4-98
--------------------------------	--	------------------------	---------------------------



SELECTION/DIMENSIONS

Setscrew Ball Bearings SCMAH AIR HANDLING MEDIUM DUTY 4-BOLT FLANGE BEARINGS

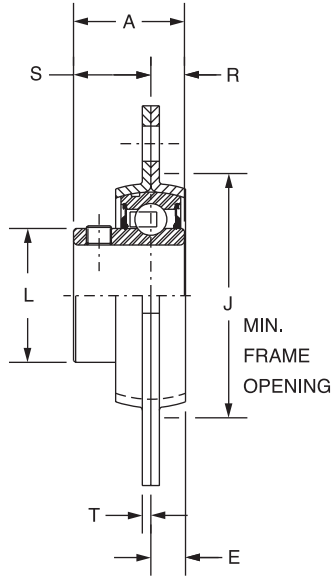
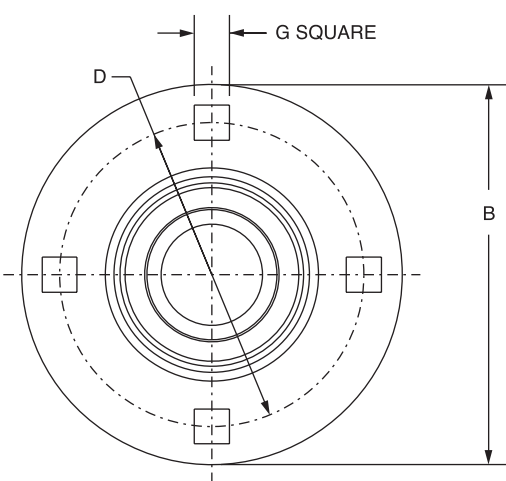
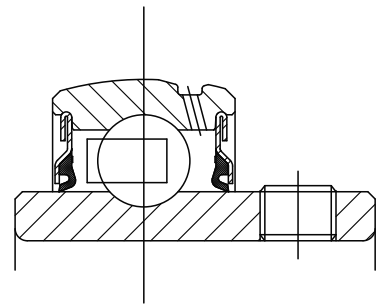
Series	Shaft Size	Weight lbs. kgs.	A	B	C	D	F Bolt Dia.	H	J	L	N
206	1	3.0	1.52	4.25	1.56	3.25	7/16	0.50	0.49	1.57	2.19
	25mm	1.3	38.6	108.0	39.6	82.6	M10	12.7	12.4	39.9	55.6
207	1-3/16	4.1	1.71	4.75	1.75	3.63	1/2	0.56	0.53	1.84	2.44
	1-1/4 30mm	1.7	43.4	120.7	44.5	92.1	M12	14.2	13.5	46.7	62.0
208	1-7/16	5.0	1.94	5.13	1.98	4.00	1/2	0.56	0.63	2.05	2.38
	35mm	2.1	49.3	130.3	50.3	101.6	M12	14.2	16.0	52.1	60.5
209	1-1/2	6.1	1.94	5.38	1.99	4.13	1/2	0.63	0.59	2.22	2.75
	1-5/8 40mm	2.7	49.3	136.7	50.5	104.8	M14	16.0	15.0	56.4	69.9
210	1-11/16	7.1	1.94	5.63	2.02	4.38	1/2	0.63	0.55	2.43	2.88
	1-3/4 45mm	3.0	49.3	143.0	51.3	111.1	M16	16.0	14.0	61.7	73.2
211	1-15/16	9.5	2.22	6.50	2.28	5.13	5/8	0.69	0.68	2.71	3.25
	2 50mm	4.1	56.4	165.1	57.9	130.2	M16	17.5	17.3	68.8	82.6
212	2-3/16	11.3	2.31	6.88	2.38	5.63	5/8	0.69	0.66	2.97	3.50
	2-1/4 55mm	6.0	58.7	174.8	60.5	142.9	M16	17.5	16.8	75.4	88.9
214	2-7/16	16.2	2.54	7.38	2.78	5.88	5/8	0.69	0.60	3.31	3.69
	2-1/2 65mm	7.3	64.5	187.5	70.6	149.2	M16	17.5	15.2	84.1	93.7
215	2-11/16	18.3	2.33	7.75	2.88	6.00	3/4	1.00	0.63	3.62	3.88
	70mm	8.0	59.2	196.9	73.2	152.4	M18	25.4	16.0	91.9	98.6
216	2-15/16	21.5	2.38	7.75	3.09	6.00	3/4	0.88	0.59	3.83	4.09
	3 75mm	9.4	60.5	196.9	78.5	152.4	M18	22.4	15.0	97.3	103.9
218	3-7/16	28.0	2.56	8.44	3.38	6.75	3/4	1.00	0.60	4.35	4.63
	3-1/2 85mm	12.2	65.0	214.4	85.9	171.5	M18	25.4	15.2	110.5	117.6

FEATURES/BENEFITS PAGE B4-3	HOW TO ORDER/NOMENCLATURE PAGE B4-5	SELECTION PAGE B4-6	ACCESSORIES PAGE B4-98
--------------------------------	--	------------------------	---------------------------

SELECTION/DIMENSIONS



Setscrew Ball Bearings SL LIGHT DUTY 4-BOLT FLANGE BEARINGS



Series	Shaft Size	Part No.	Description
208	1-1/2	128088	F4B-SL-108
	40mm	067868	F4B-SL-40M
210	1-15/16	128089	F4B-SL-115
	2	128090	F4B-SL-200
	50mm	@	F4B-SL-50M
211	2	128182	F4B-SL-200L
	2-3/16	128091	F4B-SL-203
	55mm	@	F4B-SL-55M

@ Assembled to order

FEATURES/BENEFITS PAGE B4-3	HOW TO ORDER/NOMENCLATURE PAGE B4-5	SELECTION PAGE B4-6	ACCESSORIES PAGE B4-98
--------------------------------	--	------------------------	---------------------------



SELECTION/DIMENSIONS

Setscrew Ball Bearings SL LIGHT DUTY 4-BOLT FLANGE BEARINGS

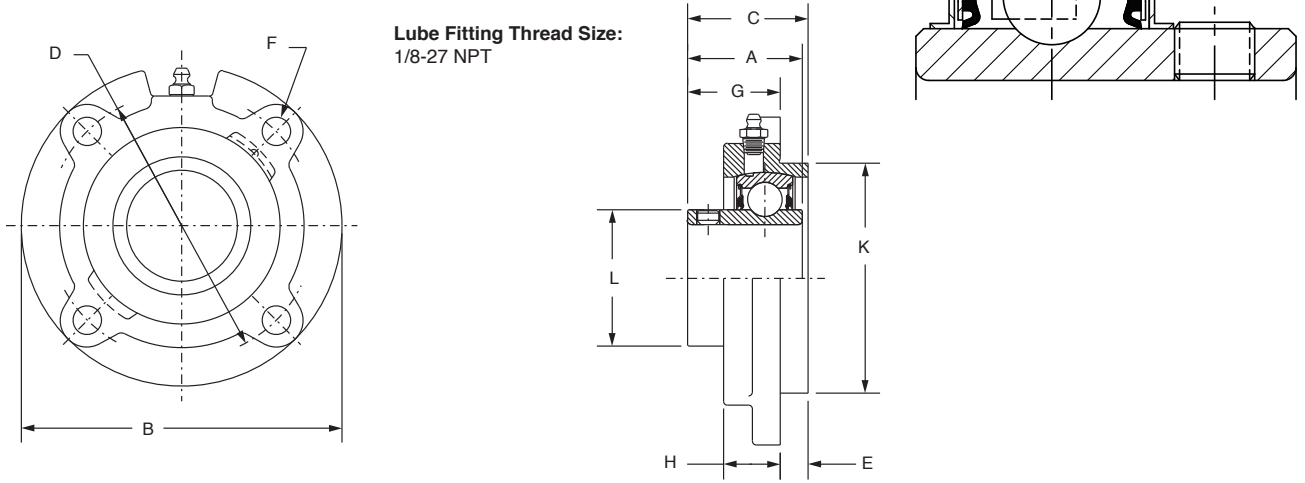
Series	Shaft Size	Weight lbs. kgs.	A	B	D	E	G	J	L	R	S	T
208	1-1/2	2.64	1.94	5.81	4.69	0.41	0.53	3.56	2.05	0.75	1.19	0.13
	40mm	1.15	49.3	147.6	119.1	10.4	13.5	90.4	52.1	19.1	30.2	3.3
210	1-15/16	2.95	1.94	6.13	5.00	0.44	0.53	4.00	2.43	0.75	1.19	0.15
	2 50mm	2.86 1.28	49.3	155.7	127.0	11.2	13.5	101.6	61.7	19.1	30.2	3.8
211	2	3.73	2.22	6.56	5.44	0.47	0.53	4.44	2.71	0.87	1.35	0.15
	2-3/16 55mm	3.63 1.62	56.4	166.6	138.2	11.9	13.5	112.8	68.8	22.1	34.3	3.8

FEATURES/BENEFITS PAGE B4-3	HOW TO ORDER/NOMENCLATURE PAGE B4-5	SELECTION PAGE B4-6	ACCESSORIES PAGE B4-98
--------------------------------	--	------------------------	---------------------------

SELECTION/DIMENSIONS



Setscrew Ball Bearings SC NORMAL DUTY PILOTED FLANGE BEARINGS



Series	Shaft Size	Part No.	Description
206	1-1/16	124578	FC-SC-101
	1-1/8	124582	FC-SC-102
	1-3/16	124579	FC-SC-103
	1-1/4	124587	FC-SC-104S
	30mm	125865	FC-SC-30M
207	1-1/4	124224	FC-SC-104
	1-5/16	124237	FC-SC-105
	1-3/8	124235	FC-SC-106
	1-7/16	124236	FC-SC-107
	35mm	125866	FC-SC-35M
208	1-1/2	124225	FC-SC-108
	1-5/8	124226	FC-SC-110
	40mm	125867	FC-SC-40M
209	1-5/8	065644	FC-SC-110L
	1-11/16	124227	FC-SC-111
	1-3/4	124228	FC-SC-112
210	45mm	125868	FC-SC-45M
	1-15/16	124229	FC-SC-115
	2	124230	FC-SC-200
211	50mm	125869	FC-SC-50M
	2	126175	FC-SCM-200
	2-3/16	124231	FC-SC-203
	2-1/4	124232	FC-SC-204
212	55mm	125870	FC-SC-55M
	2-1/4	126177	FC-SCM-204
	2-7/16	124233	FC-SC-207
214	60mm	125871	FC-SC-60M
	2-1/2	126179	FC-SCM-208
	2-11/16	124729	FC-SC-211
	70mm	125872	FC-SC-70M

@ Assembled to order

FEATURES/BENEFITS PAGE B4-3	HOW TO ORDER/NOMENCLATURE PAGE B4-5	SELECTION PAGE B4-6	ACCESSORIES PAGE B4-98
--------------------------------	--	------------------------	---------------------------

SELECTION/DIMENSIONS



Setscrew Ball Bearings SC NORMAL DUTY PILOTED FLANGE BEARINGS

Bearing Reference Guide

ULTRA KLEEN

E-Z KLEEN

Extreme Duty

Setscrew Ball Bearing

GRIP TIGHT

D-LOK Ball Bearing

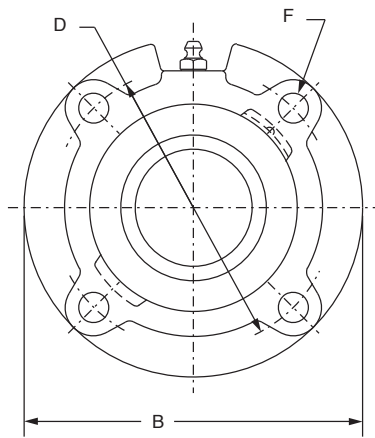
Series	Shaft Size	Weight lbs. kgs.	A	B	C	D	E	F Bolt Dia.	G	H	K	L
206	1-1/16	3.2	1.52	4.38	1.53	3.63	0.25	3/8	1.28	0.81	3.000/2.998	1.57
	1-1/8	3.1										
	1-3/16	3.0										
	1-1/4	2.9										
	30mm	1.3	38.6	111.3	38.9	92.2	6.4	M10	32.5	20.6	76.20/76.15	39.9
207	1-1/4	4.2	1.71	5.00	1.78	4.13	0.38	3/8	1.40	0.84	3.375/3.373	1.84
	1-5/16	4.1										
	1-3/8	4.0										
	1-7/16	3.9										
	35mm	1.8	43.4	127.0	45.2	104.9	9.7	M10	35.6	21.3	85.73/85.67	46.7
208	1-1/2	4.6	1.94	5.25	1.98	4.38	0.44	7/16	1.54	0.89	3.625/3.623	2.05
	1-5/8	4.5										
	40mm	2.0	49.3	133.4	50.3	111.3	11.2	M12	39.1	22.6	92.08/92.02	52.1
209	1-5/8	5.6	1.94	5.75	1.95	4.75	0.44	1/2	1.51	0.91	4.000/3.998	2.22
	1-11/16	5.5										
	1-3/4	5.4										
	45mm	2.4	49.3	146.1	49.5	120.7	11.2	M12	38.4	23.1	101.60/101.55	56.4
210	1-15/16	6.4	1.94	6.13	1.98	5.13	0.47	1/2	1.51	0.92	4.250/4.248	2.43
	2	6.3										
	50mm	2.9	49.3	155.7	50.3	130.3	11.9	M12	38.4	23.4	107.95/107.90	61.7
211	2	7.3	2.22	6.38	2.35	5.38	0.63	1/2	1.72	1.00	4.500/4.498	2.71
	2-3/16	7.2										
	2-1/4	7.1										
	55mm	3.3	56.4	162.1	59.7	136.7	16.0	M12	43.7	25.4	114.30/114.25	68.8
212	2-1/4	9.6	2.31	7.13	2.54	6.00	0.88	1/2	1.67	1.00	5.000/4.998	2.97
	2-7/16	9.5										
	60mm	4.3	58.7	181.1	64.5	152.4	22.4	M12	42.4	25.4	127.00/126.95	75.4
214	2-1/2	13.0	2.54	7.63	2.80	6.50	1.13	1/2	1.67	1.06	5.500/5.498	3.31
	2-11/16	12.9										
	70mm	5.5	64.5	193.8	71.1	165.1	28.7	M12	42.4	26.9	139.70/139.65	84.1

FEATURES/BENEFITS PAGE B4-3	HOW TO ORDER/NOMENCLATURE PAGE B4-5	SELECTION PAGE B4-6	ACCESSORIES PAGE B4-98
--------------------------------	--	------------------------	---------------------------

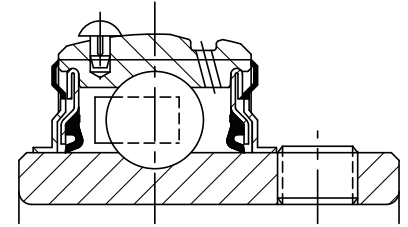
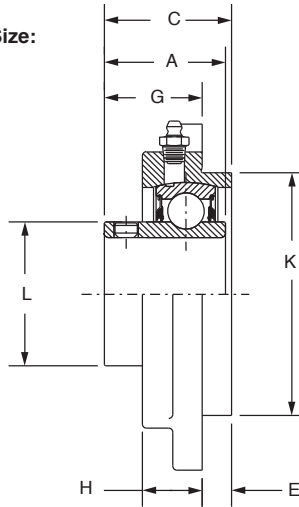
SELECTION/DIMENSIONS



Setscrew Ball Bearings SCM MEDIUM DUTY PILOTED FLANGE BEARINGS



Lube Fitting Thread Size:
1/8-27 NPT



Series	Shaft Size	Part No.	Description
206	1	126167	FC-SCM-100
	25mm	125940	FC-SCM-25M
207	1-3/16	126168	FC-SCM-103
	1-1/4	124224	FC-SC-104
	30mm	125941	FC-SCM-30M
208	1-7/16	126170	FC-SCM-107
	1-1/2	126171	FC-SCM-108
	35mm	125942	FC-SCM-35M
209	1-1/2	056492	FC-SCM-108L
	1-5/8	065644	FC-SC-110L
	40mm	125943	FC-SCM-40M
210	1-11/16	126172	FC-SCM-111
	1-3/4	126173	FC-SCM-112
	45mm	125944	FC-SCM-45M
211	1-15/16	126174	FC-SCM-115
	2	126175	FC-SCM-200
	50mm	125945	FC-SCM-50M
212	2-3/16	126176	FC-SCM-203
	2-1/4	126177	FC-SCM-204
	55mm	125946	FC-SCM-55M
214	2-7/16	126178	FC-SCM-207
	2-1/2	126179	FC-SCM-208
	65mm	125947	FC-SCM-65M
216	2-15/16	126180	FC-SCM-215
	3	126182	FC-SCM-300
	75mm	125948	FC-SCM-75M
218	3-7/16	126183	FC-SCM-307
	3-1/2	126184	FC-SCM-308
	85mm	125949	FC-SCM-85M

© Assembled to order

FEATURES/BENEFITS PAGE B4-3	HOW TO ORDER/NOMENCLATURE PAGE B4-5	SELECTION PAGE B4-6	ACCESSORIES PAGE B4-98
--------------------------------	--	------------------------	---------------------------



SELECTION/DIMENSIONS

Setscrew Ball Bearings SCM MEDIUM DUTY PILOTED FLANGE BEARINGS

Bearing Reference Guide
 ULTRA KLEEN
 E-Z KLEEN
 Extreme Duty
 Setscrew Ball Bearing
 GRIP TIGHT
 D-LOK Ball Bearing

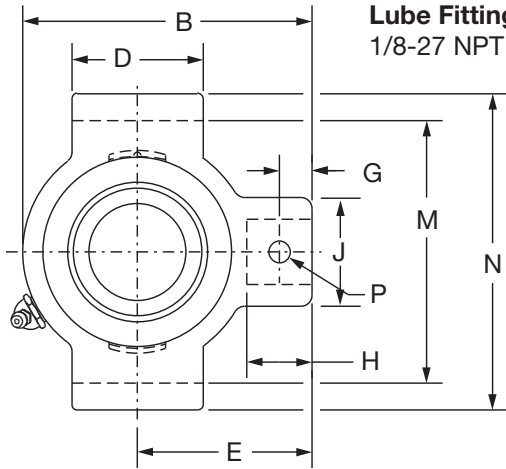
Series	Shaft Size	Weight lbs. kgs.	A	B	C	D	E	F Bolt Dia.	G	H	K	L
206	1	3.3	1.52	4.38	1.53	3.63	0.25	3/8	1.28	0.81	3.000/2.998	1.57
	25mm	1.4	38.6	111.3	38.9	92.2	6.4	M10	32.5	20.6	76.20/76.15	39.9
207	1-3/16	4.2	1.71	5.00	1.78	4.13	0.38	3/8	1.40	0.84	3.375/3.373	1.84
	1-1/4	4.2										
	30mm	1.9	43.4	127.0	45.2	104.9	9.7	M10	35.6	21.3	85.73/85.67	46.7
208	1-7/16	4.8	1.94	5.25	1.98	4.38	0.44	7/16	1.54	0.89	3.625/3.623	2.05
	1-1/2	4.6										
	35mm	2.1	49.3	133.4	50.3	111.3	11.2	M12	39.1	22.6	92.08/92.02	52.1
209	1-1/2	5.6	1.94	5.75	1.95	4.75	0.44	1/2	1.51	0.91	4.000/3.998	2.22
	1-5/8	5.6										
	40mm	2.5	49.3	146.1	49.5	120.7	11.2	M12	38.4	23.1	101.60/101.55	56.4
210	1-11/16	6.4	1.94	6.13	1.98	5.13	0.47	1/2	1.51	0.92	4.250/4.248	2.43
	1-3/4	6.3										
	45mm	2.9	49.3	155.7	50.3	130.3	11.9	M12	38.4	23.4	107.95/107.90	61.7
211	1-15/16	7.6	2.22	6.38	2.35	5.38	0.63	1/2	1.72	1.00	4.500/4.498	2.71
	2	7.4										
	50mm	3.4	56.4	162.1	59.7	136.7	16.0	M12	43.7	25.4	114.30/114.25	68.8
212	2-3/16	9.5	2.31	7.13	2.54	6.00	0.88	1/2	1.67	1.00	5.000/4.998	2.97
	2-1/4	9.8										
	55mm	4.4	58.7	181.1	64.5	152.4	22.4	M12	42.4	25.4	127.00/126.95	75.4
214	2-7/16	13.2	2.54	7.63	2.80	6.50	1.13	1/2	1.67	1.06	5.500/5.498	3.31
	2-1/2	13.0										
	65mm	5.9	64.5	193.8	71.1	165.1	28.7	M12	42.4	26.9	139.70/139.65	84.1
216	2-15/16	18.8	2.38	8.75	3.02	7.50	1.25	5/8	1.77	1.19	6.375/6.373	3.83
	3	18.6										
	75mm	8.5	60.5	222.3	76.7	190.5	31.8	M16	45.0	30.2	161.93/161.87	97.3
218	3-7/16	28.7	2.56	10.25	3.33	8.63	1.13	3/4	2.21	1.63	7.375/7.373	4.35
	3-1/2	28.5										
	85mm	13.5	65.0	260.4	84.6	219.1	28.6	M18	56.1	41.4	187.33/187.27	110.5

FEATURES/BENEFITS PAGE B4-3	HOW TO ORDER/NOMENCLATURE PAGE B4-5	SELECTION PAGE B4-6	ACCESSORIES PAGE B4-98
--------------------------------	--	------------------------	---------------------------

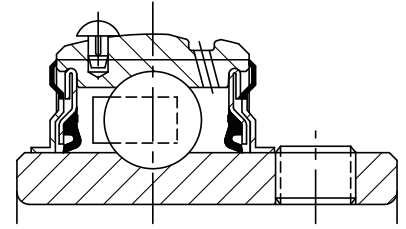
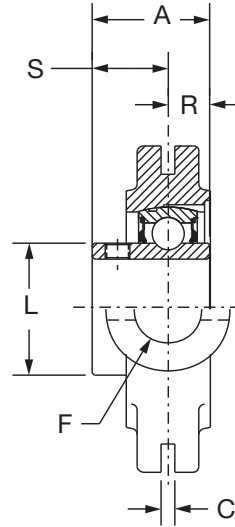
SELECTION/DIMENSIONS



Setscrew Ball Bearings SC NORMAL DUTY NARROW SLOT TAKE-UP BEARINGS



Lube Fitting Thread Size:
1/8-27 NPT



Series	Shaft Size	Standard		No Lube/Sealed for Life (-NL)	
		Part No.	Description	Part No.	Description
204	1/2	125328	NSTU-SC-008	@	NSTU-SC-008-NL
	5/8	125329	NSTU-SC-010	@	NSTU-SC-010-NL
	3/4	125050	NSTU-SC-012	073970	NSTU-SC-012-NL
	20mm	125900	NSTU-SC-20M	@	NSTU-SC-20M-NL
205	7/8	125365	NSTU-SC-014	@	NSTU-SC-014-NL
	15/16	125051	NSTU-SC-015	@	NSTU-SC-015-NL
	1	125052	NSTU-SC-100	125054	NSTU-SC-100-NL
	25mm	125901	NSTU-SC-25M	@	NSTU-SC-25M-NL
206	1-1/16	125366	NSTU-SC-101	@	NSTU-SC-101-NL
	1-1/8	125367	NSTU-SC-102	065642	NSTU-SC-102-NL
	1-3/16	125153	NSTU-SC-103	052194	NSTU-SC-103-NL
	1-1/4	123174	NSTU-SC-104S	@	NSTU-SC-104S-NL
207	30mm	125902	NSTU-SC-30M	@	NSTU-SC-30M-NL
	1-1/4	125154	NSTU-SC-104	058897	NSTU-SC-104-NL
	1-5/16	125368	NSTU-SC-105	065681	NSTU-SC-105-NL
	1-3/8	125369	NSTU-SC-106	125378	NSTU-SC-106-NL
	1-7/16	125155	NSTU-SC-107	052199	NSTU-SC-107-NL
35mm	125903	NSTU-SC-35M	@	NSTU-SC-35M-NL	

@ Assembled to order
See B15-9 for Take-Up Frames

FEATURES/BENEFITS PAGE B4-3	HOW TO ORDER/NOMENCLATURE PAGE B4-5	SELECTION PAGE B4-6	ACCESSORIES PAGE B4-98
--------------------------------	--	------------------------	---------------------------



SELECTION/DIMENSIONS

Setscrew Ball Bearings SC NORMAL DUTY NARROW SLOT TAKE-UP BEARINGS

Bearing Reference Guide
 ULTRA KLEEN
 E-Z KLEEN
 Extreme Duty
 Setscrew Ball Bearing
 GRIP TIGHT
 D-LOK Ball Bearing

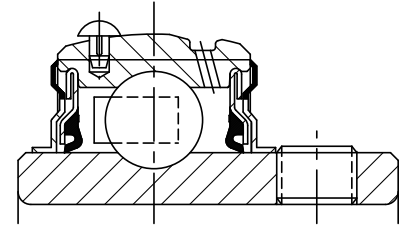
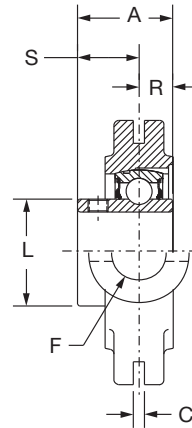
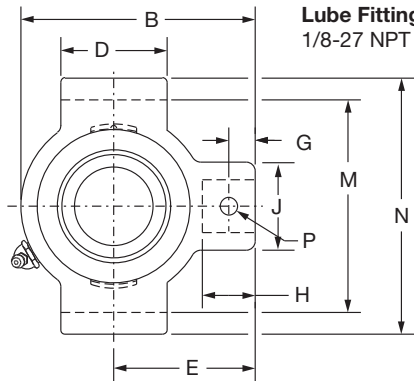
Series	Shaft Size	Weight lbs. kgs.	Take-Up Frame No. Ref.	A	B	C	D	E	F Bolt Dia.	G	H	J	L	M	N	P Pin Dia.	R	S	
204	1/2	1.6	NS210	1.23	3.50	0.250	1.50	2.19	3/4	0.44	0.88	1.38	1.12	2.635/2.605	3.13	0.32	0.50	0.73	
	5/8	1.5		31.2	88.9	6.35	38.1	55.6	19.1	11.2	22.4	35.1	28.4	66.93/66.17	79.5	8.1	12.7	18.5	
	3/4	1.4																	
	20mm	0.8																	
205	7/8	1.7	NS210	1.34	3.56	0.250	1.50	2.19	3/4	0.44	0.88	1.38	1.32	2.635/2.605	3.13	0.32	0.56	0.78	
	15/16	1.6		34.0	90.4	6.35	38.1	55.6	19.1	11.2	22.4	35.1	33.5	66.93/66.17	79.5	8.1	14.2	19.8	
	1	1.5																	
	25mm	0.7																	
206	1-1/16	2.9	NS308	1.52	4.31	0.250	2.50	2.69	3/4	0.50	0.94	1.38	1.57	3.510/3.480	4.13	0.32	0.58	0.94	
	1-1/8	2.8																	
	1-3/16	2.7																	
	1-1/4	2.6																	
	30mm	1.2		38.6	109.5	6.35	63.5	68.3	19.1	12.7	23.9	35.1	39.9	89.15/88.39	104.9	8.1	14.7	23.9	
207	1-1/4	2.8	NS308	1.71	4.50	0.250	2.50	2.69	3/4	0.50	0.94	1.38	1.84	3.510/3.480	4.13	0.32	0.67	1.04	
	1-5/16	2.7																	
	1-3/8	2.6																	
	1-7/16	2.5																	
	35mm	1.2		43.4	114.3	6.35	63.5	68.3	19.1	12.7	23.9	35.1	46.7	89.15/88.39	104.9	8.1	17.0	26.4	

FEATURES/BENEFITS PAGE B4-3	HOW TO ORDER/NOMENCLATURE PAGE B4-5	SELECTION PAGE B4-6	ACCESSORIES PAGE B4-98
--------------------------------	--	------------------------	---------------------------

SELECTION/DIMENSIONS



Setscrew Ball Bearings SC NORMAL DUTY NARROW SLOT TAKE-UP BEARINGS



Series	Shaft Size	Standard		Sealed For Life	
		Part No.	Description	Part No.	Description
208	1-1/2	125156	NSTU-SC-108	@	NSTU-SC-108-NL
	1-5/8	125370	NSTU-SC-110	@	NSTU-SC-110-NL
	40mm	125904	NSTU-SC-40M	@	NSTU-SC-40M-NL
209	1-5/8	065593	NSTU-SC-110L	@	NSTU-SC-110L-NL
	1-11/16	125157	NSTU-SC-111	052939	NSTU-SC-111-NL
	1-3/4	125371	NSTU-SC-112	068184	NSTU-SC-112-NL
	45mm	125905	NSTU-SC-45M	@	NSTU-SC-45M-NL
210	1-15/16	125158	NSTU-SC-115	125159	NSTU-SC-115-NL
	2	125372	NSTU-SC-200	068659	NSTU-SC-200-NL
	50mm	125906	NSTU-SC-50M	@	NSTU-SC-50M-NL
211	2	135171	NSTU-SCM-200	@	NSTU-SCM-200-NL
	2-3/16	125160	NSTU-SC-203	@	NSTU-SC-203-NL
	2-1/4	125373	NSTU-SC-204	@	NSTU-SC-204-NL
	55mm	125907	NSTU-SC-55M	@	NSTU-SC-55M-NL
212	2-1/4	135172	NSTU-SCM-204	126544	NSTU-SCM-204-NL
	2-7/16	125162	NSTU-SC-207	073430	NSTU-SC-207-NL
	60mm	125908	NSTU-SC-60M	@	NSTU-SC-60M-NL

@ Assembled to order
See B15-9 for Take-Up Frames

Series	Shaft Size	Weight lbs. kgs.	Take-Up Frame No. Ref.	A	B	C *	D	E	F Screw Dia	G	H	J	L	M	N	P Pin Dia	R	S
208	1-1/2	4.7	NS400	1.94	5.38	0.313	3.00	3.25	7/8	0.66	1.16	1.63	2.05	4.015/3.985	4.75	0.38	0.75	1.19
	1-5/8	4.6		49.3	136.7	7.95	76.2	82.6	22.2	16.8	29.5	41.4	52.1	101.98/101.22	120.7	9.7	19.1	30.2
	40mm	2.1		49.3	136.7	7.95	76.2	82.6	22.2	16.8	29.5	41.4	52.1	101.98/101.22	120.7	9.7	19.1	30.2
209	1-5/8	4.9	NS400	1.94	5.44	0.313	3.00	3.25	7/8	0.72	1.22	1.63	2.22	4.015/3.985	4.75	0.38	0.75	1.19
	1-11/16	4.8		49.3	138.2	7.95	76.2	82.6	22.2	18.3	31.0	41.4	56.4	101.98/101.22	120.7	9.7	19.1	30.2
	1-3/4	4.7		49.3	138.2	7.95	76.2	82.6	22.2	18.3	31.0	41.4	56.4	101.98/101.22	120.7	9.7	19.1	30.2
	45mm	2.1		49.3	138.2	7.95	76.2	82.6	22.2	18.3	31.0	41.4	56.4	101.98/101.22	120.7	9.7	19.1	30.2
210	1-15/16	4.9	NS400	1.94	5.50	0.313	3.00	3.25	7/8	0.59	1.09	1.63	2.43	4.015/3.985	4.75	0.38	0.75	1.19
	2	4.8		49.3	139.7	7.95	76.2	82.6	22.2	15.0	27.7	41.4	61.7	101.98/101.22	120.7	9.7	19.1	30.2
	50mm	2.2		49.3	139.7	7.95	76.2	82.6	22.2	15.0	27.7	41.4	61.7	101.98/101.22	120.7	9.7	19.1	30.2
211	2	6.8	NS407	2.22	6.13	0.313	3.50	3.63	1	0.69	1.28	1.75	2.71	4.448/4.418	5.38	0.44	0.87	1.35
	2-3/16	6.6		56.4	155.7	7.95	88.9	92.2	25.4	17.5	32.5	44.5	68.8	112.98/112.22	136.7	11.2	22.1	34.3
	2-1/4	6.5		56.4	155.7	7.95	88.9	92.2	25.4	17.5	32.5	44.5	68.8	112.98/112.22	136.7	11.2	22.1	34.3
212	55mm	3.0	NS415	2.31	6.69	0.313	3.75	3.88	1	0.69	1.28	1.63	2.97	4.947/4.917	5.75	0.44	0.90	1.41
	2-1/4	8.7		58.7	169.9	7.95	95.3	98.6	25.4	17.5	32.5	41.4	75.4	125.65/124.89	146.1	11.2	22.9	35.8
	2-7/16	8.4		58.7	169.9	7.95	95.3	98.6	25.4	17.5	32.5	41.4	75.4	125.65/124.89	146.1	11.2	22.9	35.8
	60mm	4.9																

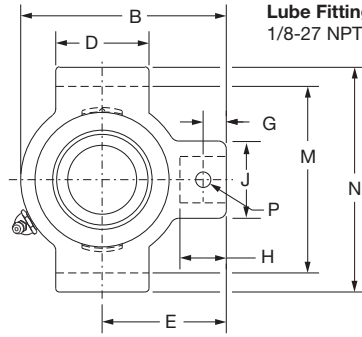
#+.010, -.020" +.25mm, -.50mm

FEATURES/BENEFITS PAGE B4-3	HOW TO ORDER/NOMENCLATURE PAGE B4-5	SELECTION PAGE B4-6	ACCESSORIES PAGE B4-98
--------------------------------	--	------------------------	---------------------------

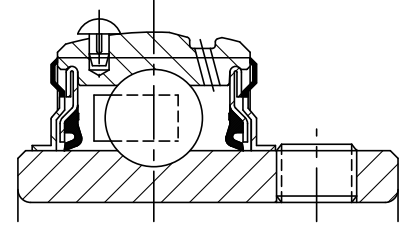
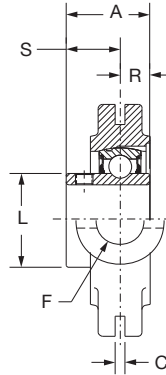


SELECTION/DIMENSIONS

Setscrew Ball Bearings SCM MEDIUM DUTY NARROW SLOT TAKE-UP BEARINGS



Lube Fitting Thread Size:
1/8-27 NPT



Series	Shaft Size	Part No.	Description
206	1	135102	NSTU-SCM-100
	25mm	125980	NSTU-SCM-25M
207	1-3/16	135081	NSTU-SCM-103
	1-1/4	125154	NSTU-SC-104
	30mm	125981	NSTU-SCM-30M
208	1-7/16	135105	NSTU-SCM-107
	35mm	125982	NSTU-SCM-35M
209	1-1/2	135106	NSTU-SCM-108
	1-5/8	065593	NSTU-SC-110L
	40mm	125983	NSTU-SCM-40M
210	1-11/16	135107	NSTU-SCM-111
	1-3/4	135170	NSTU-SCM-112
	45mm	125984	NSTU-SCM-45M
211	1-15/16	135109	NSTU-SCM-115
	2	135171	NSTU-SCM-200
	50mm	125985	NSTU-SCM-50M
212	2-3/16	135111	NSTU-SCM-203
	2-1/4	135172	NSTU-SCM-204
	55mm	125986	NSTU-SCM-55M

@ Assembled to order

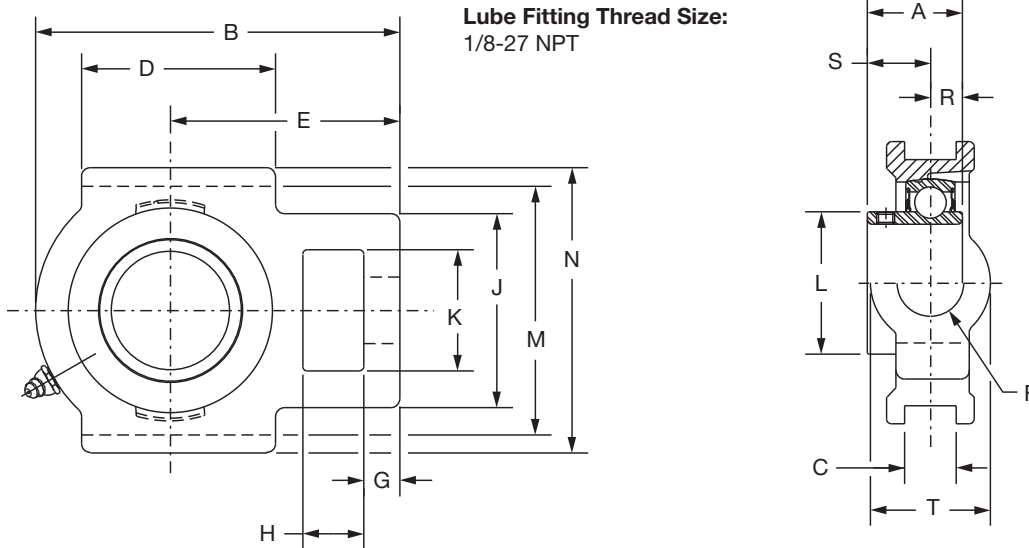
Series	Shaft Size	Weight lbs. kgs.	Take-Up Frame No. Ref	A	B	C	D	E	F Bolt Dia.	G	H	J	L	M	N	P Pin Dia.	R	S
206	1	3.0	NS308	1.52	4.31	0.250	2.50	2.69	3/4	0.50	0.94	1.38	1.57	3.510/3.480	4.13	0.32	0.58	0.94
	25mm	1.2		38.6	109.5	6.35	63.5	68.3	19.1	12.7	23.9	35.1	39.9	89.15/88.39	104.9	8.1	14.7	23.9
207	1-3/16	2.9	NS308	1.71	4.50	0.250	2.50	2.69	3/4	0.50	0.94	1.38	1.84	3.510/3.480	4.13	0.32	0.67	1.04
	1-1/4	2.8		43.4	114.3	6.35	63.5	68.3	19.1	12.7	23.9	35.1	46.7	89.15/88.39	104.9	8.1	17.0	26.4
208	1-7/16	4.7	NS400	1.94	5.38	0.313	3.00	3.25	7/8	0.66	1.16	1.63	2.05	4.015/3.985	4.75	0.38	0.75	1.19
	35mm	2.2		49.3	136.7	7.95	76.2	82.6	22.2	16.8	29.5	41.4	52.1	101.98/101.22	120.7	9.7	19.1	30.2
209	1-1/2	5.0	NS400	1.94	5.44	0.313	3.00	3.25	7/8	0.72	1.22	1.63	2.22	4.015/3.985	4.75	0.38	0.75	1.19
	1-5/8	4.9		49.3	138.2	7.95	76.2	82.6	22.2	18.3	31.0	41.4	56.4	101.98/101.22	120.7	9.7	19.1	30.2
210	1-11/16	5.3	NS400	1.94	5.50	0.313	3.00	3.25	7/8	0.59	1.09	1.63	2.43	4.015/3.985	4.75	0.38	0.75	1.19
	1-3/4	5.2		49.3	139.7	7.95	76.2	82.6	22.2	15.0	27.7	41.4	61.7	101.98/101.22	120.7	9.7	19.1	30.2
211	1-15/16	7.0	NS407	2.22	6.13	0.313	3.50	3.63	1	0.69	1.28	1.75	2.71	4.448/4.418	5.38	0.44	0.87	1.35
	2	6.8		56.4	155.7	7.95	88.9	92.2	25.4	17.5	32.5	44.5	68.8	112.98/112.22	136.7	11.2	22.1	34.3
212	2-3/16	8.9	NS415	2.31	6.69	0.313	3.75	3.88	1	0.69	1.28	1.63	2.97	4.947/4.917	5.75	0.44	0.90	1.41
	2-1/4	8.7		58.7	169.9	7.95	95.3	98.6	25.4	17.5	32.5	41.4	75.4	125.65/124.89	146.1	11.2	22.9	35.8
	55mm	4.0																

FEATURES/BENEFITS PAGE B4-3	HOW TO ORDER/NOMENCLATURE PAGE B4-5	SELECTION PAGE B4-6	ACCESSORIES PAGE B4-98
--------------------------------	--	------------------------	---------------------------

SELECTION/DIMENSIONS



Setscrew Ball Bearings SC NORMAL DUTY WIDE SLOT TAKE-UP BEARINGS



Series	Shaft Size	Standard		No Lube/Sealed for Life (-NL)	
		Part No.	Description	Part No.	Description
204	1/2	125343	WSTU-SC-008	@	WSTU-SC-008-NL
	5/8	125344	WSTU-SC-010	@	WSTU-SC-010-NL
	3/4	125010	WSTU-SC-012	074935	WSTU-SC-012-NL
	20mm	125910	WSTU-SC-20M	@	WSTU-SC-20M-NL
205	7/8	125356	WSTU-SC-014	@	WSTU-SC-014-NL
	15/16	125011	WSTU-SC-015	@	WSTU-SC-015-NL
	1	125012	WSTU-SC-100	@	WSTU-SC-100-NL
	25mm	125911	WSTU-SC-25M	@	WSTU-SC-25M-NL
206	1-1/16	125357	WSTU-SC-101	@	WSTU-SC-101-NL
	1-1/8	125358	WSTU-SC-102	@	WSTU-SC-102-NL
	1-3/16	125113	WSTU-SC-103	@	WSTU-SC-103-NL
	1-1/4	123175	WSTU-SC-104S	@	WSTU-SC-104S-NL
	30mm	125912	WSTU-SC-30M	@	WSTU-SC-30M-NL
207	1-1/4	125360	WSTU-SC-104	073793	WSTU-SC-104-NL
	1-5/16	125359	WSTU-SC-105	@	WSTU-SC-105-NL
	1-3/8	125361	WSTU-SC-106	@	WSTU-SC-106-NL
	1-7/16	125114	WSTU-SC-107	050846	WSTU-SC-107-NL
	35mm	125913	WSTU-SC-35M	@	WSTU-SC-35M-NL
208	1-1/2	125120	WSTU-SC-108	049829	WSTU-SC-108-NL
	1-5/8	125355	WSTU-SC-110	@	WSTU-SC-110-NL
	40mm	125914	WSTU-SC-40M	@	WSTU-SC-40M-NL

@ Assembled to order

FEATURES/BENEFITS PAGE B4-3	HOW TO ORDER/NOMENCLATURE PAGE B4-5	SELECTION PAGE B4-6	ACCESSORIES PAGE B4-98
--------------------------------	--	------------------------	---------------------------



SELECTION/DIMENSIONS

Setscrew Ball Bearings SC NORMAL DUTY WIDE SLOT TAKE-UP BEARINGS

Bearing Reference Guide

ULTRA KLEEN

E-Z KLEEN

Extreme Duty

Setscrew Ball Bearing

GRIP TIGHT

D-LOK Ball Bearing

Series	Shaft Size	Weight lbs. kgs.	Take-Up Frame Size	A	B	C	D	E	F	G	H
204	1/2	2.1	WS300	1.23	3.69	0.531	2.00	2.38	5/8	0.38	0.63
	5/8	2.0		31.2	93.7	13.49	50.8	60.5	15.9	9.7	16.0
	3/4	1.9									
	20mm	0.9									
205	7/8	2.2	WS300	1.34	3.81	0.531	2.00	2.44	5/8	0.38	0.63
	15/16	2.1		34.0	96.8	13.49	50.8	62.0	15.9	9.7	16.0
	1	2.0									
	25mm	1.0									
206	1-1/16	3.1	WS308	1.52	4.38	0.531	2.25	2.75	3/4	0.38	0.63
	1-1/8	3.0									
	1-3/16	2.9									
	1-1/4	2.8									
	30mm	1.3		38.6	111.3	13.49	57.2	69.9	19.1	9.7	16.0
207	1-1/4	3.8	WS308	1.71	4.87	0.531	2.50	3.06	3/4	0.50	0.63
	1-5/16	3.7									
	1-3/8	3.6									
	1-7/16	3.5									
	35mm	1.6		43.4	123.7	13.49	63.5	77.7	19.1	12.7	16.0
208	1-1/2	6.1	WS400	1.94	5.69	0.688	3.25	3.50	1	0.63	0.75
	1-5/8	6.0									
	40mm	2.8		49.3	144.5	17.48	82.6	88.9	25.4	16.0	19.1

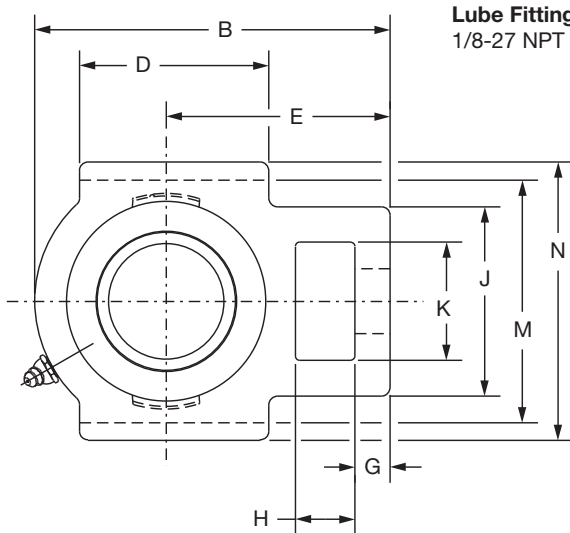
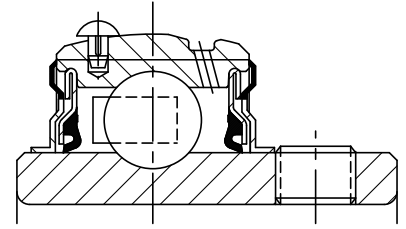
Series	Shaft Size	J	K	L	M	N	R	S	T
204	1/2	2.00	1.25	1.12	2.985/3.015	3.63	0.50	0.73	1.38
	5/8								
	3/4								
	20mm	50.8	31.8	28.4	75.82/76.58	92.2	12.7	18.5	35.1
205	7/8	2.00	1.31	1.32	2.985/3.015	3.63	0.56	0.78	1.38
	15/16								
	1								
	25mm	50.8	33.3	33.5	75.82/76.58	92.2	14.2	19.8	35.1
206	1-1/16	2.19	1.44	1.57	3.480/3.510	4.13	0.58	0.94	1.63
	1-1/8								
	1-3/16								
	1-1/4								
	30mm	55.6	36.6	39.9	88.39/89.15	104.9	14.7	23.9	41.3
207	1-1/4	2.50	1.44	1.84	3.480/3.510	4.13	0.67	1.04	1.63
	1-5/16								
	1-3/8								
	1-7/16								
	35mm	63.5	36.6	46.7	88.39/89.15	104.9	17.0	26.4	41.3
208	1-1/2	3.25	1.94	2.05	3.985/4.015	4.50	0.75	1.19	1.94
	1-5/8								
	40mm	82.6	49.3	52.1	101.22/101.98	114.3	19.1	30.2	49.3

FEATURES/BENEFITS PAGE B4-3	HOW TO ORDER/NOMENCLATURE PAGE B4-5	SELECTION PAGE B4-6	ACCESSORIES PAGE B4-98
--------------------------------	--	------------------------	---------------------------

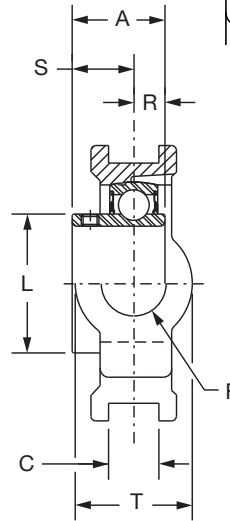
SELECTION/DIMENSIONS



Setscrew Ball Bearings SC NORMAL DUTY WIDE SLOT TAKE-UP BEARINGS



Lube Fitting Thread Size:
1/8-27 NPT



Series	Shaft Size	Standard		No Lube/Sealed for Life (-NL)	
		Part No.	Description	Part No.	Description
209	1-5/8	125151	WSTU-SC-110L	@	WSTU-SC-110L-NL
	1-11/16	125115	WSTU-SC-111	@	WSTU-SC-111-NL
	1-3/4	125362	WSTU-SC-112	@	WSTU-SC-112-NL
	1-13/16	125121	WSTU-SC-113	@	WSTU-SC-113-NL
	45mm	125915	WSTU-SC-45M	@	WSTU-SC-45M-NL
210	1-15/16	125116	WSTU-SC-115	125071	WSTU-SC-115-NL
	2	125363	WSTU-SC-200	062691	WSTU-SC-200-NL
	50mm	125916	WSTU-SC-50M	068374	WSTU-SC-50M-NL
211	2	135183	WSTU-SCM-200	058705	WSTU-SCM-200-NL
	2-3/16	125117	WSTU-SC-203	@	WSTU-SC-203-NL
	2-1/4	125364	WSTU-SC-204	@	WSTU-SC-204-NL
	55mm	125917	WSTU-SC-55M	@	WSTU-SC-55M-NL
212	2-1/4	135184	WSTU-SCM-204	@	WSTU-SCM-204-NL
	2-7/16	125118	WSTU-SC-207	@	WSTU-SC-207-NL
	60mm	125918	WSTU-SC-60M	@	WSTU-SC-60M-NL
214	2-1/2	135185	WSTU-SCM-208	@	WSTU-SCM-208-NL
	2-11/16	064704	WSTU-SC-211	@	WSTU-SC-211-NL
	70mm	062975	WSTU-SC-70M	@	WSTU-SC-70M-NL
215	2-15/16	125119	WSTU-SC-215	@	WSTU-SC-215-NL
	75mm	125919	WSTU-SC-75M	@	WSTU-SC-75M-NL

@ Assembled to order

FEATURES/BENEFITS PAGE B4-3	HOW TO ORDER/NOMENCLATURE PAGE B4-5	SELECTION PAGE B4-6	ACCESSORIES PAGE B4-98
--------------------------------	--	------------------------	---------------------------



SELECTION/DIMENSIONS

Setscrew Ball Bearings SC NORMAL DUTY WIDE SLOT TAKE-UP BEARINGS

Bearing Reference Guide

ULTRA KLEEN

E-Z KLEEN

Extreme Duty

Setscrew Ball Bearing

GRIP TIGHT

D-LOK Ball Bearing

Series	Shaft Size	Weight lbs kgs.	Take-Up Frame Size	A	B	C	D	E	F Screw Dia.	G
209	1-5/8	6.1	WS400	1.94	5.63	0.688	3.25	3.44	1	0.63
	1-11/16	6.0		1.94	5.63	0.688	3.25	3.44	1	0.63
	1-3/4	5.9		1.94	5.63	0.688	3.25	3.44	1	0.63
	1-13/16	5.8		1.94	5.63	0.688	3.25	3.44	1	0.63
	45mm	2.7		49.3	143.0	17.48	82.6	87.4	25.4	16.0
210	1-15/16	6.4	WS400	1.94	5.82	0.688	3.38	3.56	1	0.63
	2	6.2		1.94	5.82	0.688	3.38	3.56	1	0.63
	50mm	2.9		49.3	147.8	17.48	85.9	90.4	25.4	16.0
211	2	10.1	WS502	2.22	6.69	1.063	3.75	4.19	1-1/4	0.75
	2-3/16	10.0		2.22	6.69	1.063	3.75	4.19	1-1/4	0.75
	2-1/4	9.8		2.22	6.69	1.063	3.75	4.19	1-1/4	0.75
	55mm	4.5		56.4	169.9	27.00	95.3	106.4	31.8	19.1
212	2-1/4	11.2	WS502	2.31	7.50	1.063	4.00	4.69	1-1/4	0.75
	2-7/16	10.8		2.31	7.50	1.063	4.00	4.69	1-1/4	0.75
	60mm	4.9		58.7	190.5	27.00	101.6	119.1	31.8	19.1
214	2-1/2	18.0	WS515	2.54	8.56	1.063	4.75	5.38	1-1/2	0.81
	2-11/16	17.8		2.54	8.56	1.063	4.75	5.38	1-1/2	0.81
	70mm	8.0		64.5	217.4	27.0	120.7	136.7	38.1	20.6
215	2-15/16	18.9	WS515	2.33	9.13	1.063	4.75	5.50	1-1/2	0.81
	75mm	8.6		59.2	231.9	27.00	120.7	139.7	38.1	20.6

Series	Shaft Size	H	J	K	L	M	N	R	S	T
209	1-5/8	0.75	3.25	1.94	2.22	3.985/4.015	4.75	0.75	1.19	1.94
	1-11/16	0.75	3.25	1.94	2.22	3.985/4.015	4.75	0.75	1.19	1.94
	1-3/4	0.75	3.25	1.94	2.22	3.985/4.015	4.75	0.75	1.19	1.94
	1-13/16	0.75	3.25	1.94	2.22	3.985/4.015	4.75	0.75	1.19	1.94
	45mm	19.1	82.6	49.3	56.4	101.22/101.98	120.7	19.1	30.2	49.3
210	1-15/16	0.75	3.25	1.94	2.43	3.985/4.015	4.75	0.75	1.19	1.94
	2	0.75	3.25	1.94	2.43	3.985/4.015	4.75	0.75	1.19	1.94
	50mm	19.1	82.6	49.3	61.7	101.22/101.98	120.7	19.1	30.2	49.3
211	2	1.00	4.00	2.50	2.71	5.110/5.140	5.88	0.87	1.35	2.50
	2-3/16	1.00	4.00	2.50	2.71	5.110/5.140	5.88	0.87	1.35	2.50
	2-1/4	1.00	4.00	2.50	2.71	5.110/5.140	5.88	0.87	1.35	2.50
	55mm	25.4	101.6	63.5	68.8	129.79/130.56	149.4	22.1	34.3	63.5
212	2-1/4	1.25	4.00	2.50	2.97	5.110/5.140	5.88	0.90	1.41	2.50
	2-7/16	1.25	4.00	2.50	2.97	5.110/5.140	5.88	0.90	1.41	2.50
	60mm	31.8	101.6	63.5	75.4	129.79/130.56	149.4	22.9	35.8	63.5
214	2-1/2	1.25	4.38	2.75	3.31	5.923/5.953	6.56	1.06	1.48	2.75
	2-11/16	1.25	4.38	2.75	3.31	5.923/5.953	6.56	1.06	1.48	2.75
	70mm	31.8	111.3	69.9	84.1	150.44/151.21	166.6	26.9	37.6	69.9
215	2-15/16	1.25	4.38	2.75	3.62	5.923/5.953	6.69	0.86	1.47	2.75
	75mm	31.8	111.3	69.9	91.9	150.44/151.21	169.9	21.8	37.3	69.9

*+ or -.015", + or -.38mm

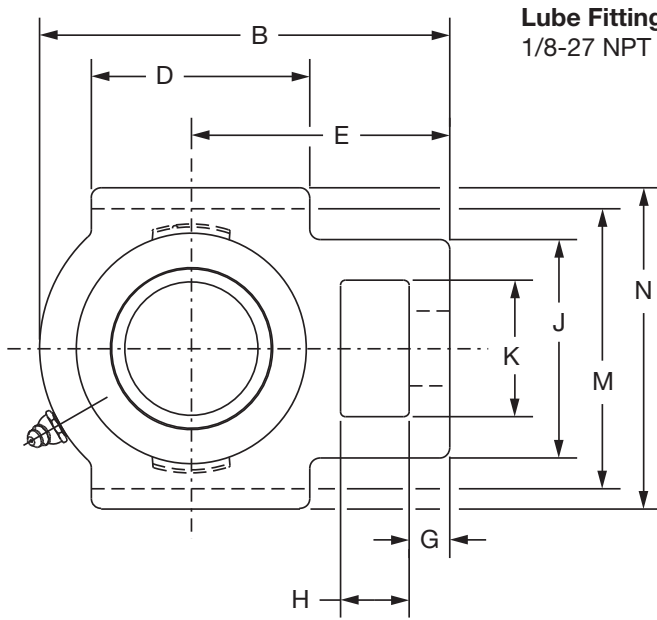
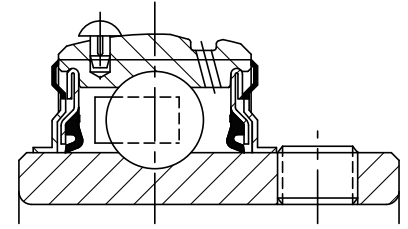
+.010, -.020" +.25mm, -.50mm

FEATURES/BENEFITS PAGE B4-3	HOW TO ORDER/NOMENCLATURE PAGE B4-5	SELECTION PAGE B4-6	ACCESSORIES PAGE B4-98
--------------------------------	--	------------------------	---------------------------

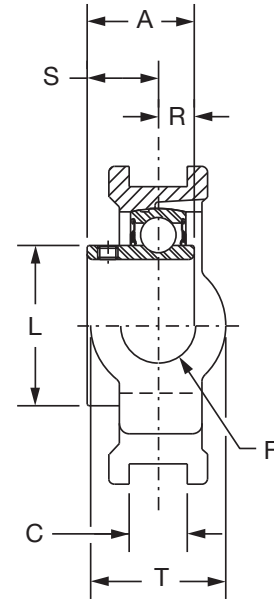
SELECTION/DIMENSIONS



Setscrew Ball Bearings SCM MEDIUM DUTY WIDE SLOT TAKE-UP BEARINGS



Lube Fitting Thread Size:
1/8-27 NPT



Series	Shaft Size	Part No.	Description
206	1	135117	WSTU-SCM-100
	25mm	125989	WSTU-SCM-25M
207	1-3/16	135118	WSTU-SCM-103
	1-1/4	125360	WSTU-SC-104
208	30mm	125990	WSTU-SCM-30M
	1-7/16	135116	WSTU-SCM-107
209	35mm	125991	WSTU-SCM-35M
	1-1/2	135120	WSTU-SCM-108
210	40mm	125992	WSTU-SCM-40M
	1-11/16	135121	WSTU-SCM-111
	1-3/4	135182	WSTU-SCM-112
	45mm	125993	WSTU-SCM-45M

SELECTION/DIMENSIONS



Setscrew Ball Bearings SCM MEDIUM DUTY WIDE SLOT TAKE-UP BEARINGS

Bearing Reference Guide

ULTRA KLEEN

E-Z KLEEN

Extreme Duty

Setscrew Ball Bearing

GRIP TIGHT

D-LOK Ball Bearing

Series	Shaft Size	Weight lbs. kgs.	Take-Up Frame No. Ref.	A	B	C	D	E	F Screw Dia.	G
206	1	2.9	WS308	1.52	4.38	0.531	2.25	2.75	3/4	0.38
	25mm	1.4		38.6	111.3	13.49	57.2	69.9	19.1	9.7
207	1-3/16	3.9	WS308	1.71	4.87	0.531	2.50	3.06	3/4	0.50
	1-1/4 30mm	3.8 1.7		43.4	123.7	13.49	63.5	77.7	19.1	12.7
208	1-7/16	6.1	WS400	1.94	5.69	0.688	3.25	3.50	1	0.63
	35mm	2.9		49.3	144.5	17.48	82.6	88.9	25.4	16.0
209	1-1/2	6.0	WS400	1.94	5.63	0.688	3.25	3.44	1	0.63
	40mm	2.8		49.3	143.0	17.48	82.6	87.4	25.4	16.0
210	1-11/16	6.4	WS400	1.94	5.82	0.688	3.38	3.56	1	0.63
	1-3/4 45mm	6.4 3.0		49.3	147.8	17.48	85.9	90.4	25.4	16.0

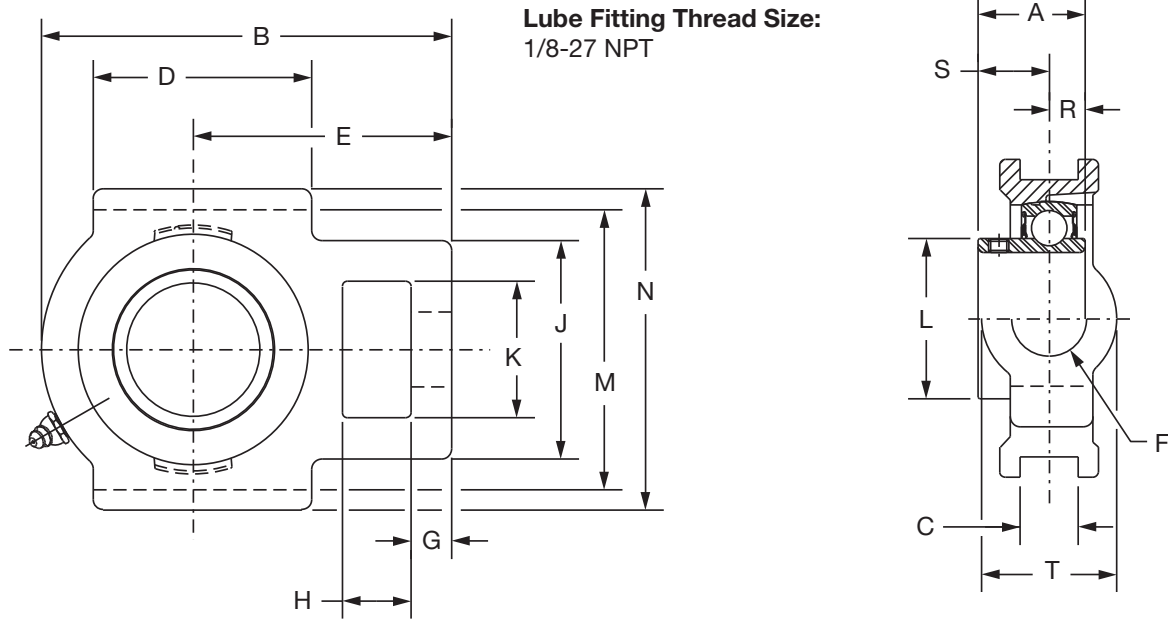
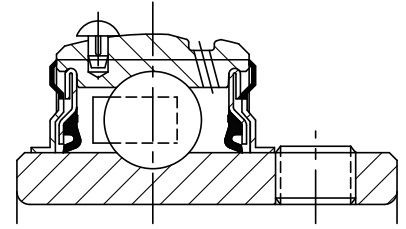
Series	Shaft Size	H	J	K	L	M	N	R	S	T
206	1	0.63	2.19	1.44	1.57	3.480/3.510	4.13	0.58	0.94	1.63
	25mm	16.0	55.6	36.6	39.9	88.39/89.15	104.9	14.7	23.9	41.3
207	1-3/16	0.63	2.50	1.44	1.84	3.480/3.510	4.13	0.67	1.04	1.63
	1-1/4 30mm	16.0	63.5	36.6	46.7	88.39/89.15	104.9	17.0	26.4	41.3
208	1-7/16	0.75	3.25	1.94	2.05	3.985/4.015	4.50	0.75	1.19	1.94
	35mm	19.1	82.6	49.3	52.1	101.22/101.98	114.3	19.1	30.2	49.3
209	1-1/2	0.75	3.25	1.94	2.22	3.985/4.015	4.75	0.75	1.19	1.94
	40mm	19.1	82.6	49.3	56.4	101.22/101.98	120.7	19.1	30.2	49.3
210	1-11/16	0.75	3.25	1.94	2.43	3.985/4.015	4.75	0.75	1.19	1.94
	1-3/4 45mm	19.1	82.6	49.3	61.7	101.22/101.98	120.7	19.1	30.2	49.3

FEATURES/BENEFITS PAGE B4-3	HOW TO ORDER/NOMENCLATURE PAGE B4-5	SELECTION PAGE B4-6	ACCESSORIES PAGE B4-98
--------------------------------	--	------------------------	---------------------------

SELECTION/DIMENSIONS



Setscrew Ball Bearings SCM MEDIUM DUTY WIDE SLOT TAKE-UP BEARINGS



Series	Shaft Size	Part No.	Description
211	1-15/16	135123	WSTU-SCM-115
	2	135183	WSTU-SCM-200
	50mm	125994	WSTU-SCM-50M
212	2-3/16	135125	WSTU-SCM-203
	2-1/4	135184	WSTU-SCM-204
	55mm	125995	WSTU-SCM-55M
214	2-7/16	135127	WSTU-SCM-207
	2-1/2	135185	WSTU-SCM-208
	65mm	125996	WSTU-SCM-65M
215	2-11/16	135129	WSTU-SCM-211
	70mm	125997	WSTU-SCM-70M
216	2-15/16	135130	WSTU-SCM-215
	3	135181	WSTU-SCM-300
	75mm	125998	WSTU-SCM-75M

FEATURES/BENEFITS PAGE B4-3	HOW TO ORDER/NOMENCLATURE PAGE B4-5	SELECTION PAGE B4-6	ACCESSORIES PAGE B4-98
--------------------------------	--	------------------------	---------------------------



SELECTION/DIMENSIONS

Setscrew Ball Bearings SCM MEDIUM DUTY WIDE SLOT TAKE-UP BEARINGS

Bearing Reference Guide

ULTRA KLEEN

E-Z KLEEN

Extreme Duty

Setscrew Ball Bearing

GRIP TIGHT

D-LOK Ball Bearing

Series	Shaft Size	Weight lbs. kgs.	Take-up Frame No. Ref	A	B	C	D	E	F Screw Dai.	G
211	1-15/16	10.1	WS502	2.22	6.69	1.063	3.75	4.19	1-1/4	0.75
	2	10.2		56.4	169.9	27.00	95.3	106.4	31.8	19.1
	50mm	4.7								
212	2-3/16	11.4	WS502	2.31	7.50	1.063	4.00	4.69	1-1/4	0.75
	2-1/4	11.2		58.7	190.5	27.00	101.6	119.1	31.8	19.1
	55mm	5.1								
214	2-7/16	18.2	WS515	2.54	8.56	1.063	4.75	5.38	1-1/2	0.81
	2-1/2	18.0		64.5	217.4	27.0	120.7	136.7	38.1	20.6
	65mm	8.1								
215	2-11/16	19.0	WS515	2.33	9.13	1.063	4.75	5.50	1-1/2	0.81
	70mm	8.9		59.2	231.9	27.00	120.7	139.7	38.1	20.6
216	2-15/16	21.7	WS608	2.38	9.13	1.063	4.75	2.38	1-1/2	0.81
	3	21.5		60.5	231.6	27.00	120.7	60.5	38.1	20.6
	75mm	9.5								

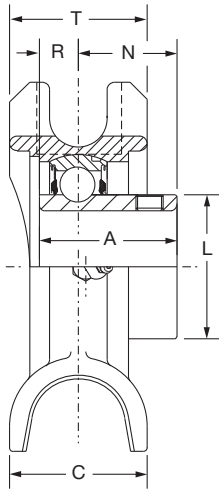
Series	Shaft Size	H	J	K	L	M	N	R	S	T
211	1-15/16	1.00	4.00	2.50	2.71	5.110/5.140	5.88	0.87	1.35	2.50
	2									
	50mm	25.4	101.6	63.5	68.8	129.79/130.56	149.4	22.1	34.3	63.5
212	2-3/16	1.25	4.00	2.50	2.97	5.110/5.140	5.88	0.90	1.41	2.50
	2-1/4									
	55mm	31.8	101.6	63.5	75.4	129.79/130.56	149.4	22.9	35.8	63.5
214	2-7/16	1.25	4.38	2.75	3.31	5.923/5.953	6.56	1.06	1.48	2.75
	2-1/2									
	65mm	31.8	111.3	69.9	84.1	150.44/151.21	166.6	26.9	37.6	69.9
215	2-11/16	1.25	4.38	2.75	3.62	5.923/5.953	6.69	0.86	1.47	2.75
	70mm									
		31.8	111.3	69.9	91.9	150.44/151.21	169.9	21.8	37.3	69.9
216	2-15/16	1.25	4.38	2.75	3.83	6.485/6.515	7.25	0.88	1.50	2.75
	3									
	75mm	31.8	111.3	69.9	97.3	164.72/165.48	184.2	22.4	38.1	69.9

FEATURES/BENEFITS PAGE B4-3	HOW TO ORDER/NOMENCLATURE PAGE B4-5	SELECTION PAGE B4-6	ACCESSORIES PAGE B4-98
--------------------------------	--	------------------------	---------------------------

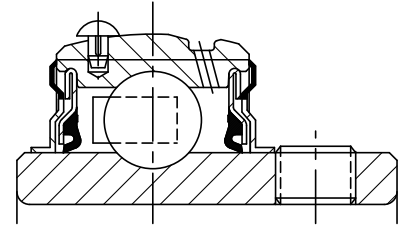
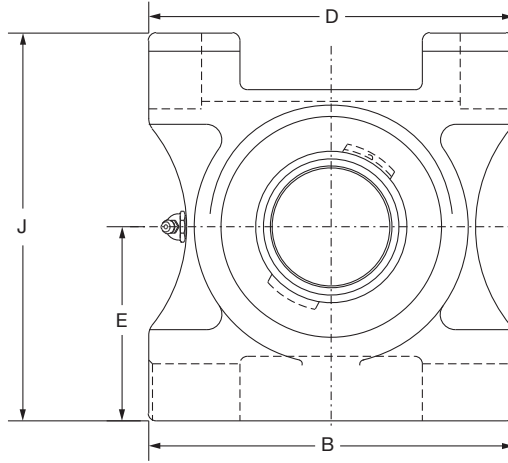
SELECTION/DIMENSIONS



Setscrew Ball Bearings TYPE G NORMAL DUTY TOP ANGLE TAKE-UP BEARINGS



Lube Fitting Thread Size:
1/8-27 NPT



Series	Shaft Size	Part No.	Description
210	1-15/16	012340	TP-G-115
	2	012302	TP-G-200
211	2	136081	TP-GM-200
	2-3/16	012341	TP-G-203
	2-1/4	012303	TP-G-204
212	2-1/4	136082	TP-GM-204
	2-7/16	012342	TP-G-207
214	2-1/2	136083	TP-GM-208
	2-11/15	@	TP-G-211
215	2-15/16	012343	TP-G-215

@ Assembled to order

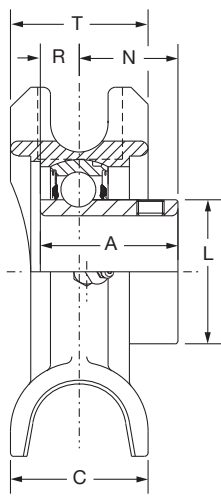
Series	Shaft Size	Weight lbs.	Frame Size	A	B	C	D	E	J	L	N	R	T
210	1-15/16	10.2	TP10	1.94	6.50	2.38	6.00	3.25	6.38	2.43	1.19	0.75	2.38
	2	10.0											
211	2	12.5	TP20	2.22	7.00	2.50	6.75	3.38	7.88	2.71	1.35	0.87	2.38
	2-3/16	12.4											
	2-1/4	1.02											
212	2-1/4	16.0	TP30	2.31	7.50	2.75	7.00	3.50	7.44	2.97	1.41	0.90	2.75
	2-7/16	15.9											
214	2-1/2	21.3	TP40	2.54	8.50	2.50	8.00	4.00	8.31	3.31	1.38	1.16	2.75
	2-11/15	21.1											
215	2-15/16	21.2	TP40	2.33	8.50	2.50	8.00	4.00	8.31	3.62	1.37	0.96	2.75

FEATURES/BENEFITS PAGE B4-3	HOW TO ORDER/NOMENCLATURE PAGE B4-5	SELECTION PAGE B4-6	ACCESSORIES PAGE B4-98
--------------------------------	--	------------------------	---------------------------

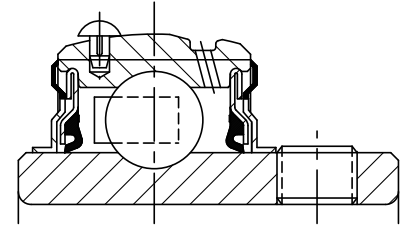
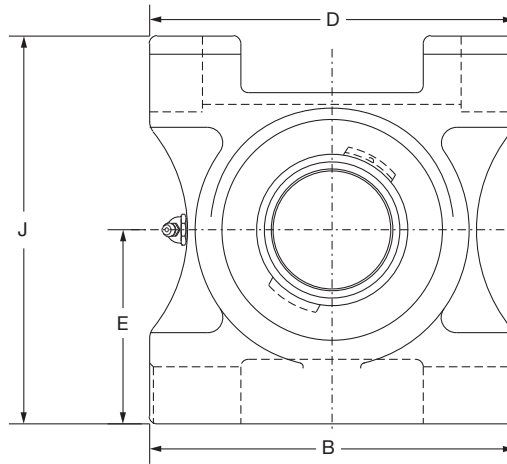


SELECTION/DIMENSIONS

Setscrew Ball Bearings TYPE GM MEDIUM DUTY TOP ANGLE TAKE-UP BEARINGS



Lube Fitting Thread Size:
1/8-27 NPT



Series	Shaft Size	Part No.	Description
210	1-11/16	136070	TP-GM-111
	1-3/4	136080	TP-GM-112
211	1-15/16	136071	TP-GM-115
	2	136081	TP-GM-200
212	2-3/16	136072	TP-GM-203
	2-1/4	136082	TP-GM-204
214	2-7/16	136073	TP-GM-207
	2-1/2	136083	TP-GM-208
215	2-11/16	136076	TP-GM-211
216	2-15/16	136074	TP-GM-215
	3	136084	TP-GM-300
218	3-7/16	136075	TP-GM-307
	3-1/2	136085	TP-GM-308

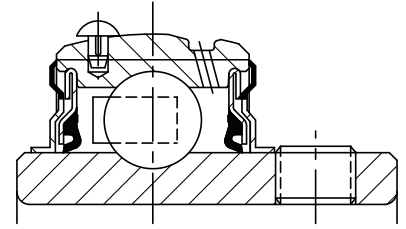
Series	Shaft Size	Weight lbs.	Frame Size	A	B	C	D	E	J	L	N	R	T
210	1-11/16	10.4	TP10	1.94	6.50	2.38	6.00	3.25	6.38	2.43	1.19	0.75	2.38
	1-3/4	10.0											
211	1-15/16	12.8	TP20	2.22	7.00	2.50	6.75	3.38	7.88	2.71	1.35	0.87	2.38
	2	12.5											
212	2-3/16	16.2	TP30	2.31	7.50	2.75	7.00	3.50	7.44	2.97	1.41	0.90	2.75
	2-1/4	16.0											
214	2-7/16	21.7	TP40	2.54	8.50	2.50	8.00	4.00	8.31	3.31	1.38	1.16	2.75
	2-1/2	21.0											
215	2-11/16	25.0	TP40	2.33	8.50	2.50	8.00	4.00	8.31	3.62	1.37	0.96	2.75
216	2-15/16	29.8	TP50	2.38	9.50	2.75	9.00	4.50	9.63	3.83	1.41	0.97	3.13
	3	29.5											
218	3-7/16	40.2	TP60	2.56	11.00	3.13	10.50	5.50	11.00	4.35	1.54	1.02	3.13
	3-1/2	40.0											

FEATURES/BENEFITS PAGE B4-3	HOW TO ORDER/NOMENCLATURE PAGE B4-5	SELECTION PAGE B4-6	ACCESSORIES PAGE B4-98
--------------------------------	--	------------------------	---------------------------

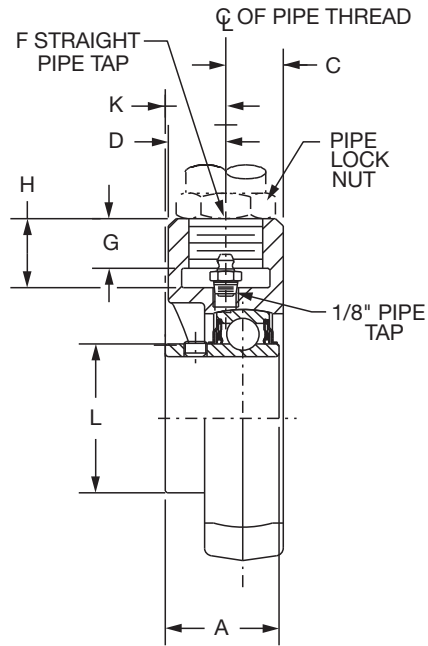
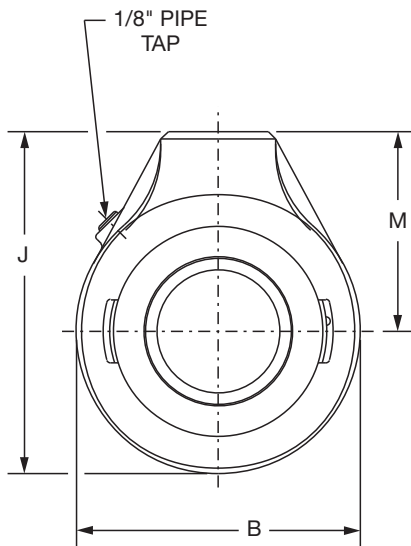
SELECTION/DIMENSIONS



Setscrew Ball Bearings SC NORMAL DUTY SCREW CONVEYOR HANGER BEARINGS



Lube Fitting Thread Size:
1/8-27 NPT



Series	Shaft Size	Part No.	Description
206	1	057878	SCHB-SC-100
	1-1/8	073287	SCHB-SC-102
207	1-3/16	057220	SCHB-SC-103
	1-1/4	124996	SCHB-SC-104
	1-3/8	058630	SCHB-SC-106
208	1-7/16	126049	SCHB-SC-107
	1-1/2	124290	SCHB-SC-108
	1-5/8	124404	SCHB-SC-110
210	1-11/16	124408	SCHB-SC-111
	1-3/4	124299	SCHB-SC-112
	1-15/16	124405	SCHB-SC-115
	2	124291	SCHB-SC-200
212	2-3/16	124409	SCHB-SC-203
	2-1/4	124419	SCHB-SC-204
	2-7/16	124292	SCHB-SC-207
216	2-15/16	124406	SCHB-SC-215
	3	124293	SCHB-SC-300
218	3-7/16	053320	SCHB-SCM-307 MOD
	3-1/2	057361	SCHB-SCM-308 MOD

@ Assembled to order

FEATURES/BENEFITS PAGE B4-3	HOW TO ORDER/NOMENCLATURE PAGE B4-5	SELECTION PAGE B4-6	ACCESSORIES PAGE B4-98
--------------------------------	--	------------------------	---------------------------

SELECTION/DIMENSIONS



Setscrew Ball Bearings SC NORMAL DUTY SCREW CONVEYOR HANGER BEARINGS

Bearing Reference Guide

ULTRA KLEEN

E-Z KLEEN

Extreme Duty

Setscrew Ball Bearing

GRIP TIGHT

D-LOK Ball Bearing

Series	Shaft Size	Weight lbs.	A	B	C	D	F*	G	H	J	K	L	M
206	1 1-1/8	3.0	1.52	3.13	0.53	1.03	3/4-14	0.75	0.94	4.06	0.89	1.57	2.50
207	1-3/16	3.5	1.71	3.88	0.82	0.82	3/4-14	0.63	0.94	4.69	0.98	1.84	2.75
	1-1/4	3.5											
	1-3/8	3.5											
208	1-7/16	3.4	1.94	4.00	0.83	0.83	3/4-14	0.63	0.94	4.88	1.02	2.05	2.88
	1-1/2	3.4											
	1-5/8	3.8											
210	1-11/16	5.4	1.94	4.63	0.94	1.78	1 - 11-1/2	0.81	1.13	5.56	0.91	2.43	3.25
	1-3/4	4.8											
	1-15/16	4.5											
	2	4.4											
212	2-3/16	5.0	2.31	5.50	1.16	1.78	1-1/4 - 11-1/2	1.13	1.44	6.75	1.07	2.97	4.00
	2-1/4	5.0											
	2-7/16	7.4											
216	2-15/16 3	14.0 14.6	2.38	7.00	1.36	1.45	1-1/2 - 11-1/2	1.25	1.69	8.38	1.17	3.83	4.88
218	3-7/16	21.2	2.56	8.31	1.76	1.74	2 - 11-1/2	1.75	2.19	10.16	1.39	4.35	6.00
	3-1/2	21.0											

*Use straight thread for the pipe. Bearing to be secured with a heavy locknut
Pipe plug and lube fitting are factory installed and may be reversed from position shown

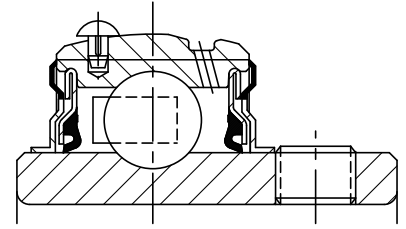
NOTE: Inserts use the ProGuard Plus (-FF) seals. 1, 1-3/16, 1-7/16, 1-11/16, 1-3/4, 2-3/16, 2-1/4
2-15/16, 3, 3-7/16 & 3-1/2 use SCM inserts with flingers.

FEATURES/BENEFITS PAGE B4-3	HOW TO ORDER/NOMENCLATURE PAGE B4-5	SELECTION PAGE B4-6	ACCESSORIES PAGE B4-98
--------------------------------	--	------------------------	---------------------------

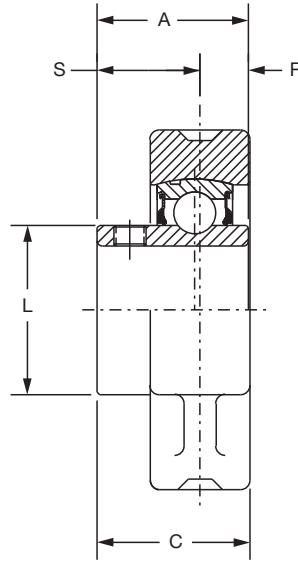
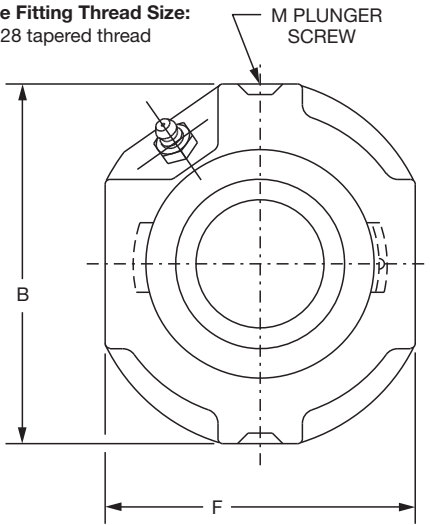
SELECTION/DIMENSIONS



Setscrew Ball Bearings SC NORMAL DUTY HANGER BEARINGS



Lube Fitting Thread Size:
1/4-28 tapered thread



Series	Shaft Size	Part No.	Description
206	1-1/16	124420	HNG-SC-101
	1-1/8	124421	HNG-SC-102
	1-3/16	124240	HNG-SC-103
	1-1/4	123176	HNG-SC-104S
207	1-1/4	124422	HNG-SC-104
	1-5/16	124423	HNG-SC-105
	1-3/8	124424	HNG-SC-106
	1-7/16	124242	HNG-SC-107
210	1-15/16	124245	HNG-SC-115
	2	124393	HNG-SC-200

These bearings are designed for use in 4-point hanger frames.

Series	Shaft Size	Weight lbs.	A	B	C	F	L	M	R	S
206	1-1/16	2.0	1.52	3.63	1.50	3.00	1.57	1/2	0.58	0.94
	1-1/8	1.9								
	1-3/16	1.8								
	1-1/4	1.7								
207	1-1/4	2.8	1.71	4.25	1.68	3.50	1.84	1/2	0.67	1.04
	1-5/16	2.6								
	1-3/8	2.4								
	1-7/16	2.2								
210	1-15/16	6.2	1.94	5.00	2.00	4.19	2.43	1/2	0.75	1.19
	2	6.0								

FEATURES/BENEFITS PAGE B4-3	HOW TO ORDER/NOMENCLATURE PAGE B4-5	SELECTION PAGE B4-6	ACCESSORIES PAGE B4-98
--------------------------------	--	------------------------	---------------------------



SELECTION/DIMENSIONS

Setscrew Ball Bearings SC NORMAL DUTY CYLINDRICAL UNITS

Bearing Reference Guide

ULTRA KLEEN

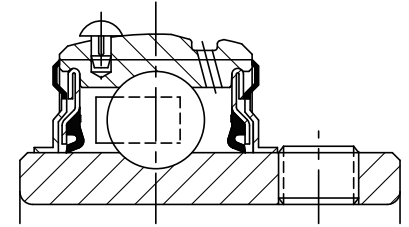
E-Z KLEEN

Extreme Duty

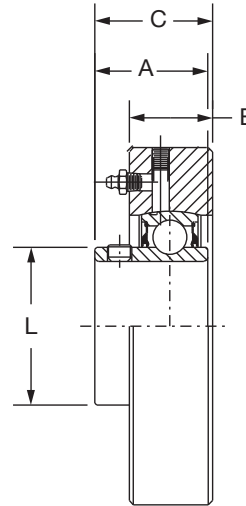
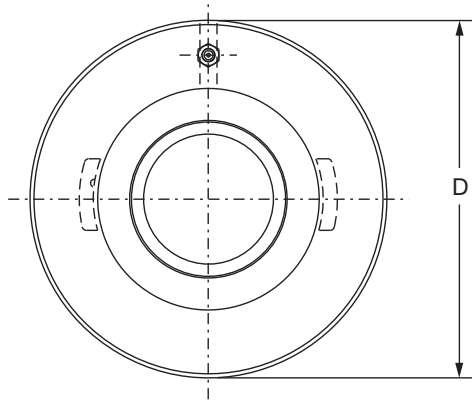
Setscrew Ball Bearing

GRIP TIGHT

D-LOK Ball Bearing



Lube Fitting Thread Size:
1/4-28 tapered thread



Series	Shaft Size	Part No.	Description
205	7/8	124394	CYL-SC-014
	15/16	124148	CYL-SC-015
	1	124149	CYL-SC-100
206	1-1/16	124427	CYL-SC-101
	1-1/8	124428	CYL-SC-102
	1-3/16	124250	CYL-SC-103
	1-1/4	123177	CYL-SC-104S
207	1-1/4	124251	CYL-SC-104
	1-5/16	124429	CYL-SC-105
	1-3/8	124430	CYL-SC-106
	1-7/16	124253	CYL-SC-107

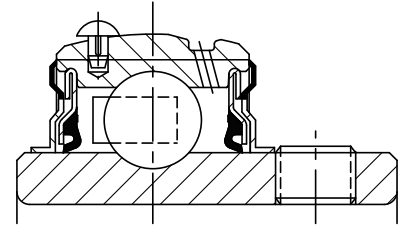
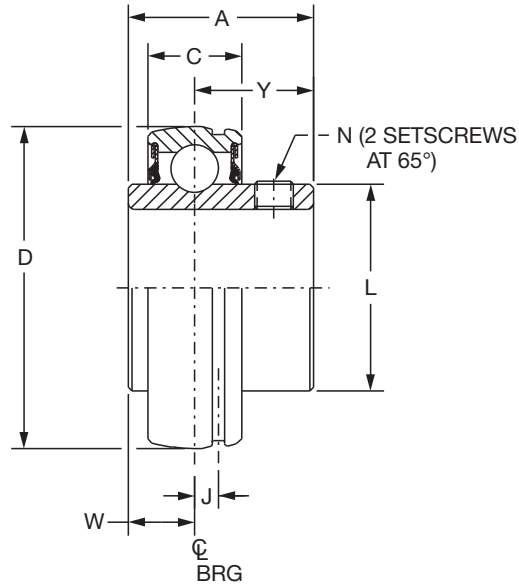
Series	Shaft Size	Weight lbs.	A	B	C	D	L
205	7/8	1.4	1.34	0.84	1.19	3.125/3.123	1.32
	15/16	1.3					
	1	1.2					
206	1/16	2.2	1.52	0.94	1.38	3.500/3.498	1.57
	1/8	2.1					
	1-3/16	2.0					
	1-1/4	1.9					
207	1-1/4	2.8	1.71	1.06	1.54	3.875/3.873	1.84
	1-15/16	2.7					
	1-3/8	2.6					
	1-7/16	2.5					

FEATURES/BENEFITS PAGE B4-3	HOW TO ORDER/NOMENCLATURE PAGE B4-5	SELECTION PAGE B4-6	ACCESSORIES PAGE B4-98
--------------------------------	--	------------------------	---------------------------

SELECTION/DIMENSIONS



Setscrew Ball Bearings SC NORMAL DUTY BEARING INSERTS



Series	Shaft Size	Standard Insert		High Temp	
		Part No.	Description	Part No.	Description
203	1/2	123328	INS-SC-008	-----	INS-SC-008-HT
	5/8	123329	INS-SC-010	-----	INS-SC-010-HT
	17mm	125800	INS-SC-17M	-----	INS-SC-17M-HT
204	1/2	123330	INS-SC-008L	@	INS-SC-008L-HT
	5/8	123331	INS-SC-010L	@	INS-SC-010L-HT
	3/4	123332	INS-SC-012	052032	INS-SC-012-HT
	13/16	074505	INS-SC-013	@	INS-SC-013-HT
	20mm	125802	INS-SC-20M	@	INS-SC-20M-HT
205	7/8	123333	INS-SC-014	068013	INS-SC-014-HT
	15/16	123334	INS-SC-015	@	INS-SC-015-HT
	1	123335	INS-SC-100	054949	INS-SC-100-HT
	25mm	125804	INS-SC-25M	@	INS-SC-25M-HT
206	1-1/16	123336	INS-SC-101	@	INS-SC-101-HT
	1-1/8	123337	INS-SC-102	@	INS-SC-102-HT
	1-3/16	123338	INS-SC-103	067902	INS-SC-103-HT
	1-1/4	123469	INS-SC-104S	@	INS-SC-104S-HT
	30mm	125806	INS-SC-30M	@	INS-SC-30M-HT
207	1-1/4	123339	INS-SC-104	053776	INS-SC-104-HT
	1-5/16	123340	INS-SC-105	057201	INS-SC-105-HT
	1-3/8	123341	INS-SC-106	057354	INS-SC-106-HT
	1-7/16	123368	INS-SC-107	052645	INS-SC-107-HT
	35mm	125808	INS-SC-35M	@	INS-SC-35M-HT

@ Assembled to order

* 20 piece minimum

FEATURES/BENEFITS PAGE B4-3	HOW TO ORDER/NOMENCLATURE PAGE B4-5	SELECTION PAGE B4-6	ACCESSORIES PAGE B4-98
--------------------------------	--	------------------------	---------------------------

SELECTION/DIMENSIONS



Setscrew Ball Bearings SC NORMAL DUTY BEARING INSERTS

Bearing Reference Guide
 ULTRA KLEEN
 E-Z KLEEN
 Extreme Duty
 Setscrew Ball Bearing
 GRIP TIGHT
 D-LOK Ball Bearing

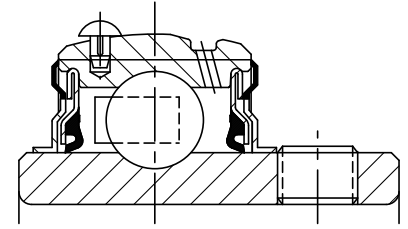
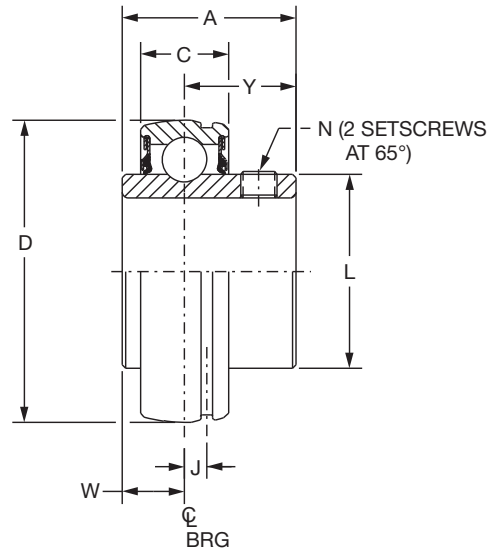
Series	Shaft Size	Weight lbs. kgs.	A	C	D	J	L	N	W	Y
203	1/2	.25	1.00	0.51	1.5748	0.15	0.96	10-32	0.36	0.64
	5/8	.23								
	17mm	.10	25.4	13.0	40.000	3.8	24.4	M5x0.8	9.1	16.3
204	1/2	.38	1.23	0.58	1.8504	0.15	1.12	1/4-28	0.50	0.73
	5/8	.35								
	3/4	.32								
	13/16	.29								
	20mm	.16	31.2	14.7	47.000	3.8	28.4	M6x1	12.7	18.5
205	7/8	.43	1.34	0.59	2.0472	0.16	1.32	1/4-28	0.56	0.78
	15/16	.40								
	1	.37								
	25mm	.18	34.0	15.0	52.000	4.1	33.5	M6x1	14.2	19.8
206	1-1/16	.67	1.52	0.69	2.4409	0.16	1.57	5/16-24	0.58	0.94
	1-1/8	.63								
	1-3/16	.60								
	1-1/4	.58								
	30mm	.27	38.6	17.5	62.000	4.1	39.9	M8x1.25	14.7	23.9
207	1-1/4	1.02	1.71	0.75	2.8346	0.20	1.84	5/16-24	0.67	1.04
	1-5/16	.97								
	1-3/8	.92								
	1-7/16	.86								
	35mm	.44	43.4	19.1	72.000	5.1	46.7	M8x1.25	17.0	26.4

FEATURES/BENEFITS PAGE B4-3	HOW TO ORDER/NOMENCLATURE PAGE B4-5	SELECTION PAGE B4-6	ACCESSORIES PAGE B4-98
--------------------------------	--	------------------------	---------------------------

SELECTION/DIMENSIONS



Setscrew Ball Bearings SC NORMAL DUTY BEARING INSERTS



Series	Shaft Size	Standard Insert		High Temp	
		Part No.	Description	Part No.	Description
208	1-1/2	123342	INS-SC-108	064149	INS-SC-108-HT
	1-5/8	123343	INS-SC-110	@	INS-SC-110-HT
	40mm	125810	INS-SC-40M	064865	INS-SC-40M-HT
209	1-5/8	045874	INS-SC-110L	@	INS-SC-110L-HT
	1-11/16	123344	INS-SC-111	053565	INS-SC-111-HT
	1-3/4	123345	INS-SC-112	@	INS-SC-112-HT
	1-13/16	054225	INS-SC-113	@	INS-SC-113-HT
	45mm	125812	INS-SC-45M	075014	INS-SC-45M-HT
210	1-15/16	123346	INS-SC-115	054019	INS-SC-115-HT
	2	123347	INS-SC-200	054431	INS-SC-200-HT
	50mm	125814	INS-SC-50M	@	INS-SC-50M-HT
211	2	123358	INS-SCM-200	058157	INS-SCM-200-HT
	2-3/16	123348	INS-SC-203	@	INS-SC-203-HT
	2-1/4	123349	INS-SC-204	@	INS-SC-204-HT
	55mm	125816	INS-SC-55M	@	INS-SC-55M-HT
212	2-1/4	123360	INS-SCM-204	073634	INS-SCM-204-HT
	2-7/16	123350	INS-SC-207	054196	INS-SC-207-HT
	60mm	125818	INS-SC-60M	057802	INS-SC-60M-HT
214	2-1/2	123362	INS-SCM-208	075714	INS-SCM-208-HT
	2-11/16	123326	INS-SC-211	@	INS-SC-211-HT
	70mm	125820	INS-SC-70M	@	INS-SC-70M-HT
215	2-15/16	123352	INS-SC-215	@	INS-SC-215-HT
	75mm	125822	INS-SC-75M	@	INS-SC-75M-HT
218	90mm	@	INS-SC-90M	@	INS-SC-90M-HT

@ Assembled to order.

FEATURES/BENEFITS PAGE B4-3	HOW TO ORDER/NOMENCLATURE PAGE B4-5	SELECTION PAGE B4-6	ACCESSORIES PAGE B4-98
--------------------------------	--	------------------------	---------------------------

SELECTION/DIMENSIONS



Setscrew Ball Bearings SC NORMAL DUTY BEARING INSERTS

Bearing Reference Guide
 ULTRA KLEEN
 E-Z KLEEN
 Extreme Duty
 Setscrew Ball Bearing
 GRIP TIGHT
 D-LOK Ball Bearing

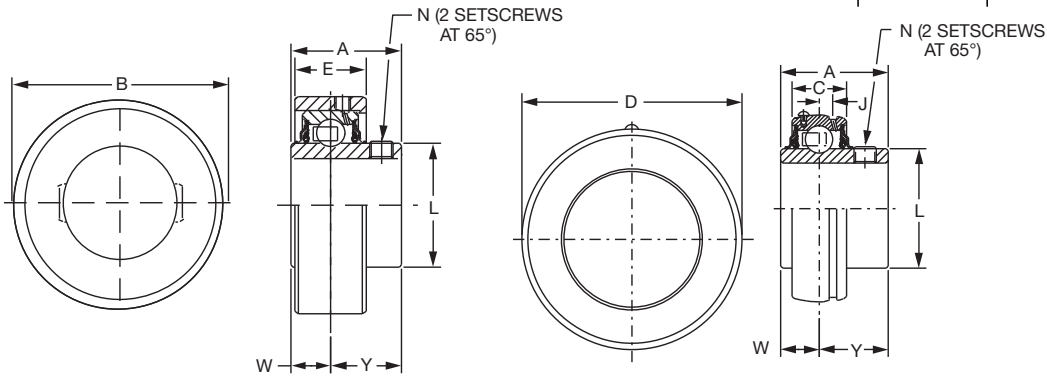
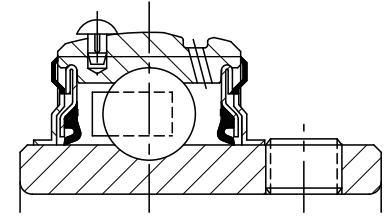
Series	Shaft Size	Weight lbs kgs.	A	C	D	J	L	N	W	Y
208	1-1/2	1.27	1.94	0.87	3.1496	0.22	2.05	5/16-24	0.75	1.19
	1-5/8	1.13								
	40mm	0.51	49.3	22.1	80.000	5.6	52.1	M8x1.25	19.1	30.2
209	1-5/8	1.49	1.94	0.87	3.3465	0.25	2.22	5/16-24	0.75	1.19
	1-11/16	1.43								
	1-3/4	1.36								
	1-13/16	1.30								
	45mm	0.62	49.3	22.1	85.000	6.4	56.4	M8x1.25	19.1	30.2
210	1-15/16	1.48	1.94	0.87	3.5433	0.25	2.43	3/8-24	0.75	1.19
	2	1.39								
	50mm	0.67	49.3	22.1	90.000	6.4	61.7	M10x1.5	19.1	30.2
211	2	2.26	2.22	0.94	3.9370	0.25	2.71	3/8-24	0.87	1.35
	2-3/16	1.97								
	2-1/4	1.87								
	55mm	0.89	56.4	23.9	100.000	6.4	68.8	M10x1.5	22.1	34.3
212	2-1/4	2.85	2.31	1.02	4.3307	0.25	2.97	3/8-24	0.90	1.41
	2-7/16	2.49								
	60mm	1.13	58.7	25.9	110.000	6.4	75.4	M10x1.5	22.9	35.8
214	2-1/2	4.25	2.54	1.10	4.9213	0.26	3.31	3/8-24	1.06	1.48
	2-11/16	3.60								
	70mm	1.63	64.5	27.9	125.000	6.6	84.1	M10x1.5	26.9	37.6
215	2-15/16	3.86	2.33	1.14	5.1181	0.28	3.62	3/8-24	0.86	1.47
	75mm	1.85	59.2	29.0	130.000	7.1	91.9	M10x1.5	21.8	37.3
218	90mm	3.30	65.0	34.0	160.000	7.6	110.5	M10x1.5	24.4	40.6

FEATURES/BENEFITS PAGE B4-3	HOW TO ORDER/NOMENCLATURE PAGE B4-5	SELECTION PAGE B4-6	ACCESSORIES PAGE B4-98
--------------------------------	--	------------------------	---------------------------

SELECTION/DIMENSIONS



Setscrew Ball Bearings SCH-E EXPANSION NORMAL DUTY BEARING INSERTS



Series	Shaft Size	Expansion	
		Part No.	Description
205	1	@	INS-SCH-100-E
	25mm	@	INS-SCH-25M-E
206	1	@	INS-SCMH-100-E
	1-1/16	@	INS-SCH-101-E
	1-1/8	@	INS-SCH-102-E
	1-3/16	126495	INS-SCH-103-E
	1-1/4	@	INS-SCH-104S-E
	30mm	049925	INS-SCH-30M-E
207	1-1/4	@	INS-SCH-104-E
	1-5/16	@	INS-SCH-105-E
	1-3/8	@	INS-SCH-106-E
	1-7/16	126496	INS-SCH-107-E
	35mm	@	INS-SCH-35M-E
209	1-1/2	@	INS-SCMH-108-E
	1-5/8	@	INS-SCH-110-E
	1-11/16	068478	INS-SCH-111-E
	1-3/4	@	INS-SCH-112-E
	45mm	@	INS-SCH-45M-E
210	1-11/16	@	INS-SCMH-111-E
	1-3/4	@	INS-SCMH-112-E
	1-15/16	126497	INS-SCH-115-E
	2	@	INS-SCH-200-E
	50mm	@	INS-SCH-50M-E
211	1-15/16	@	INS-SCMH-115-E
	2	@	INS-SCMH-200-E
	2-3/16	126498	INS-SCH-203-E
	2-1/4	@	INS-SCH-204-E
	55mm	@	INS-SCH-55M-E
212	2-3/16	@	INS-SCMH-203-E
	2-1/4	@	INS-SCMH-204-E
	2-7/16	126499	INS-SCH-207-E
	60mm	@	INS-SCH-60M-E

@Assembled to order

FEATURES/BENEFITS PAGE B4-3	HOW TO ORDER/NOMENCLATURE PAGE B4-5	SELECTION PAGE B4-6	ACCESSORIES PAGE B4-98
--------------------------------	--	------------------------	---------------------------



SELECTION/DIMENSIONS

Setscrew Ball Bearings SCH-E EXPANSION NORMAL DUTY BEARING INSERTS

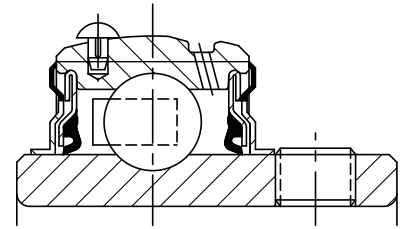
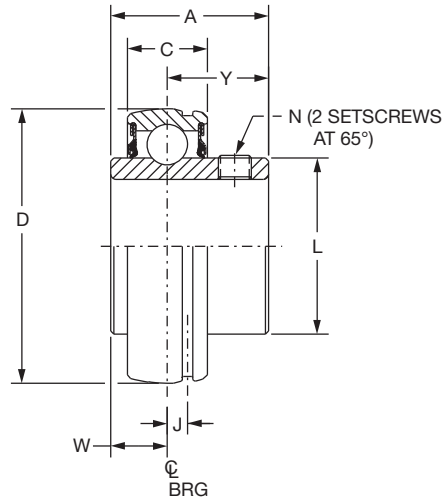
Series	Shaft Size	Weight - Expansion	Weight - Non-Exp	A	B	C	D	E	J	L	N	W	Y
		lbs. kgs.	lbs. kgs.										
205	1	0.69	0.37	1.34	2.500	.059	2.0472	0.77	0.16	1.32	1/4-28	0.56	0.78
	25mm	0.31	0.17	34.0	63.50	15.0	52.000	19.6	4.1	33.5	M6x1	14.2	19.8
206	1	1.29	0.69	1.52	2.875	0.69	2.4409	0.94	0.16	1.57	5/16-24	0.58	0.94
	1-1/16	1.26	0.66										
	1-1/8	1.23	0.63										
	1-3/16	1.20	0.60										
	1-1/4	1.18	0.58										
	30mm	0.54	0.26	38.6	73.03	17.5	62.000	23.9	4.1	39.9	M8x1.25	14.7	23.9
207	1-1/4	1.50	1.02	1.71	3.272	0.75	2.8346	1.00	0.20	1.84	5/16-24	0.67	1.04
	1-5/16	1.49	0.97										
	1-3/8	1.48	0.92										
	1-7/16	1.47	0.86										
	35mm	0.67	0.44	43.4	83.11	19.1	72.000	25.4	5.1	46.7	M8x1.25	17.0	26.4
209	1-1/2	2.51	1.62	1.94	3.813	0.87	3.3465	1.20	0.25	2.22	5/16-24	0.75	1.19
	1-5/8	2.48	1.49										
	1-11/16	2.45	1.43										
	1-3/4	2.43	1.36										
	45mm	1.10	1.30	49.3	96.85	22.1	85.000	30.5	6.4	56.4	M8x1.25	19.1	30.2
210	1-11/16	2.56	1.82	1.94	4.000	0.87	3.5433	1.36	0.25	2.43	3/8-24	0.75	1.19
	1-3/4	2.53	1.74										
	1-15/16	2.50	1.48										
	2	2.48	1.39										
	50mm	1.13	0.67	49.3	101.60	22.1	90.000	34.5	6.4	61.7	M10x1.5	19.1	30.2
211	1-15/16	3.46	2.36	2.22	4.475	0.94	3.9370	1.38	0.25	2.71	3/8-24	0.87	1.35
	2	3.43	2.26										
	2-3/16	3.40	1.97										
	2-1/4	3.38	1.87										
	55mm	1.53	0.89	56.4	113.67	23.9	100.000	35.1	6.4	68.8	M10x1.5	22.1	34.3
212	2-3/16	4.56	2.97	2.31	5.035	1.02	4.3307	1.55	0.25	2.97	3/8-24	0.90	1.41
	2-1/4	4.53	2.85										
	2-7/16	4.50	2.49										
	60mm	2.04	1.13	58.7	127.89	25.9	110.000	39.4	6.4	75.4	M10x1.5	22.9	35.8

FEATURES/BENEFITS PAGE B4-3	HOW TO ORDER/NOMENCLATURE PAGE B4-5	SELECTION PAGE B4-6	ACCESSORIES PAGE B4-98
--------------------------------	--	------------------------	---------------------------

SELECTION/DIMENSIONS



Setscrew Ball Bearings SCM MEDIUM DUTY BEARING INSERTS



Series	Shaft Size	Standard Insert		High Temp	
		Part No.	Description	Part No.	Description
206	1	123419	INS-SCM-100	@	INS-SCM-100-HT
	25mm	125825	INS-SCM-25M	@	INS-SCM-25M-HT
207	1-3/16	123420	INS-SCM-103	@	INS-SCM-103-HT
	1-1/4	123339	INS-SC-104	053776	INS-SC-104-HT
	30mm	125826	INS-SCM-30M	@	INS-SCM-30M-HT
208	1-7/16	123353	INS-SCM-107	049945	INS-SCM-107-HT
	1-1/2#	123342	INS-SC-108	064149	INS-SC-108-HT
	35mm	125828	INS-SCM-35M	@	INS-SCM-35M-HT
209	1-1/2	123354	INS-SCM-108	068889	INS-SCM-108-HT
	1-5/8	045874	INS-SC-110L	@	INS-SC-110L-HT
	40mm	125830	INS-SCM-40M	@	INS-SCM-40M-HT
210	1-11/16	123355	INS-SCM-111	@	INS-SCM-111-HT
	1-3/4	123356	INS-SCM-112	@	INS-SCM-112-HT
	45mm	125832	INS-SCM-45M	@	INS-SCM-45M-HT
211	1-15/16	123357	INS-SCM-115	068404	INS-SCM-115-HT
	2	123358	INS-SCM-200	058157	INS-SCM-200-HT
	50mm	125834	INS-SCM-50M	@	INS-SCM-50M-HT
212	2-3/16	123359	INS-SCM-203	@	INS-SCM-203-HT
	2-1/4	123360	INS-SCM-204	073634	INS-SCM-204-HT
	55mm	125836	INS-SCM-55M	@	INS-SCM-55M-HT
214	2-7/16	123361	INS-SCM-207	056912	INS-SCM-207-HT
	2-1/2	123362	INS-SCM-208	075714	INS-SCM-208-HT
	60mm	125838	INS-SCM-65M	@	INS-SCM-65M-HT
215	2-11/16	123363	INS-SCM-211	@	INS-SCM-211-HT
	70mm	125840	INS-SCM-70M	@	INS-SCM-70M-HT
216	2-15/16	123364	INS-SCM-215	049918	INS-SCM-215-HT
	3	123365	INS-SCM-300	@	INS-SCM-300-HT
	75mm	125842	INS-SCM-75M	@	INS-SCM-75M-HT
218	3-7/16	123366	INS-SCM-307	@	INS-SCM-307-HT
	3-1/2	123367	INS-SCM-308	@	INS-SCM-308-HT
	85mm	125844	INS-SCM-85M	062570	INS-SCM-85M-HT

@ Assembled to order
SCM Piloted Flange Only

FEATURES/BENEFITS PAGE B4-3	HOW TO ORDER/NOMENCLATURE PAGE B4-5	SELECTION PAGE B4-6	ACCESSORIES PAGE B4-98
--------------------------------	--	------------------------	---------------------------



SELECTION/DIMENSIONS

Setscrew Ball Bearings SCM MEDIUM DUTY BEARING INSERTS

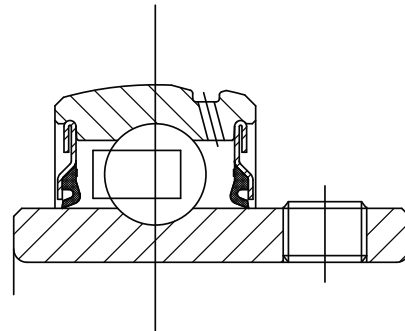
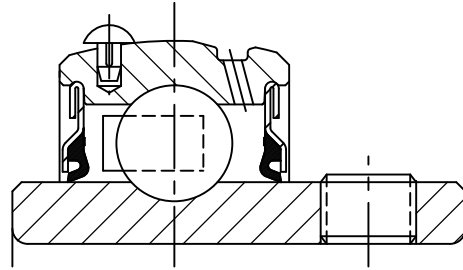
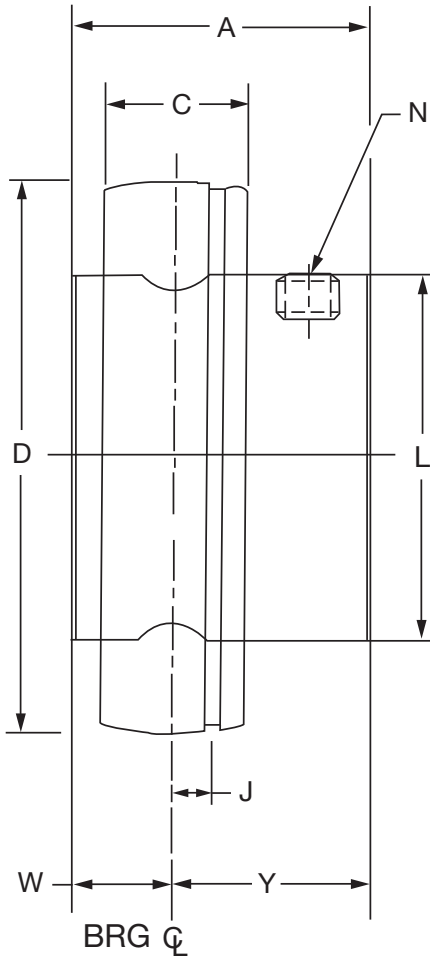
Series	Shaft Size	Weight lbs. kgs.	A	C	D	J	L	N	W	Y
206	1	0.71	1.52	0.69	2.4409	0.16	1.57	5/16-24	0.58	0.94
	25mm	0.32	38.6	17.5	62.000	4.1	39.9	M8x1.25	14.7	23.9
207	1-3/16	1.07	1.71	0.75	2.8346	0.20	1.84	5/16-24	0.67	1.04
	1-1/4	1.02								
	30mm	0.53	43.4	19.1	72.000	5.1	46.7	M8x1.25	17.0	26.4
208	1-7/16	1.32	1.94	0.87	3.1496	0.22	2.05	5/16-24	0.75	1.19
	1-1/2#	1.27								
	35mm	0.60	49.3	22.1	80.000	5.6	52.1	M8x1.25	19.1	30.2
209	1-1/2	1.62	1.94	0.87	3.3465	0.25	2.22	5/16-24	0.75	1.19
	1-5/8	1.49								
	40mm	0.71	49.3	22.1	85.000	6.4	56.4	M8x1.25	19.1	30.2
210	1-11/16	1.82	1.94	0.87	3.5433	0.25	2.43	3/8-24	0.75	1.19
	1-3/4	1.74								
	45mm	0.76	49.3	22.1	90.000	6.4	61.7	M10x1.5	19.1	30.2
211	1-15/16	2.36	2.22	0.94	3.9370	0.25	2.71	3/8-24	0.87	1.35
	2	2.26								
	50mm	1.03	56.4	23.9	100.000	6.4	68.8	M10x1.5	22.1	34.3
212	2-3/16	2.97	2.31	1.02	4.3307	0.25	2.97	3/8-24	0.90	1.41
	2-1/4	2.85								
	55mm	1.27	58.7	25.9	110.000	6.4	75.4	M10x1.5	22.9	35.8
214	2-7/16	4.39	2.54	1.10	4.9213	0.26	3.31	3/8-24	1.06	1.48
	2-1/2	4.25								
	60mm	1.86	64.5	27.9	125.000	6.6	84.1	M10x1.5	26.9	37.6
215	2-11/16	4.49	2.33	1.14	5.1181	0.28	3.62	3/8-24	0.86	1.47
	70mm	1.98	59.2	29.0	130.000	7.1	91.9	M10x1.5	21.8	37.3
216	2-15/16	5.54	2.38	1.18	5.5118	0.29	3.83	3/8-24	0.88	1.50
	3	5.52								
218	75mm	2.51	60.5	30.0	140.000	7.4	97.3	M10x1.5	22.4	38.1
	3-7/16	7.35	2.56	1.34	6.2992	0.30	4.35	3/8-24	0.96	1.60
	3-1/2	7.33								
	85mm	3.33	65.0	34.0	160.000	7.6	110.5	M10x1.5	24.4	40.6

FEATURES/BENEFITS PAGE B4-3	HOW TO ORDER/NOMENCLATURE PAGE B4-5	SELECTION PAGE B4-6	ACCESSORIES PAGE B4-98
--------------------------------	--	------------------------	---------------------------

SELECTION/DIMENSIONS



Setscrew Ball Bearings LF/LFT/SL BEARING INSERTS



ULTRA KLEEN

E-Z KLEEN

Extreme Duty

Setscrew Ball Bearing

GRIP TIGHT

D-LOK Ball Bearing

FEATURES/BENEFITS PAGE B4-3	HOW TO ORDER/NOMENCLATURE PAGE B4-5	SELECTION PAGE B4-6	ACCESSORIES PAGE B4-98
--------------------------------	--	------------------------	---------------------------

SELECTION/DIMENSIONS



Setscrew Ball Bearings LF/LFT/SL BEARING INSERTS

Bearing Reference Guide

ULTRA KLEEN

E-Z KLEEN

Extreme Duty

Setscrew Ball Bearing

GRIP TIGHT

D-LOK Ball Bearing

Series	Shaft Size	With Pin		Without Pin	
		Part No.	Description	Part No.	Description
203	1/2	123328	INS-SC-008	389923	INS-SCS-008
	5/8	123329	INS-SC-010	389924	INS-SCS-010
	17mm	125800	INS-SC-17M	125636	INS-SCS-17M
204	3/4	077976	INS-SCP-012	077940	INS-SCS-012
	20mm	077993	INS-SCP-20M	077957	INS-SCS-20M
205	7/8	077977	INS-SCP-014	077941	INS-SCS-014
	15/16	077978	INS-SCP-015	077942	INS-SCS-015
	1	077979	INS-SCP-100	077943	INS-SCS-100
	25mm	077994	INS-SCP-25M	077958	INS-SCS-25M
206	1-1/16	077980	INS-SCP-101	077944	INS-SCS-101
	1-1/8	077981	INS-SCP-102	077945	INS-SCS-102
	1-3/16	077982	INS-SCP-103	077946	INS-SCS-103
	1-1/4	077983	INS-SCP-104S	077947	INS-SCS-104S
	30mm	077995	INS-SCP-30M	077959	INS-SCS-30M
207	1-1/4	077984	INS-SCP-104	077948	INS-SCS-104
	1-5/16	077921	INS-SCP-105	077923	INS-SCS-105
	1-3/8	077985	INS-SCP-106	077949	INS-SCS-106
	1-7/16	077986	INS-SCP-107	077950	INS-SCS-107
	35mm	077996	INS-SCP-35M	077960	INS-SCS-35M

Series	Shaft Size	Weight lbs kg	A	C	D	J	L	N	W	Y	Capacity, lbs	
											Static	Dynamic
203	1/2	0.23	1.00	0.51	1.5748	0.15	0.96	10-32	0.36	0.64	1079	2158
	5/8	0.21										
	17mm	0.10	25.4	13.0	40.000	3.80	24.4	M5x0.8	9.10	16.3		
204	3/4	0.25	1.02	0.58	1.8504	0.15	1.12	1/4-28	0.29	0.73	1482	2899
	20mm	0.11	25.9	14.7	47.000	3.80	28.4	M6x1	7.40	18.5		
205	7/8	0.41	1.06	0.59	2.0472	0.16	1.32	1/4-28	0.30	0.76	1769	3146
	15/16	0.38										
	1	0.25										
206	25mm	0.17	26.9	15.0	52.000	4.10	33.5	M6x1	7.60	19.3	2538	4368
	1-1/16	0.64	1.26	0.69	2.4409	0.16	1.57	5/16-24	0.35	0.91		
	1-1/8	0.61										
	1-3/16	0.58										
207	1-1/4	0.56									3461	5759
	1-1/4	0.25	32.0	17.5	62.000	4.10	39.9	M8x1.25	8.90	23.1		
	30mm	0.25										
	1-1/4	0.92	1.40	0.75	2.8346	0.20	1.84	5/16-24	0.37	1.03		
	1-5/16	0.90										
207	1-3/8	0.88									9.40	26.2
	1-7/16	0.75										
	35mm	0.38	35.6	19.1	72.000	5.10	46.7	M8x1.25	9.40	26.2		

FEATURES/BENEFITS PAGE B4-3	HOW TO ORDER/NOMENCLATURE PAGE B4-5	SELECTION PAGE B4-6	ACCESSORIES PAGE B4-98
--------------------------------	--	------------------------	---------------------------



ACCESSORIES

Setscrew Ball Bearings

LUBRICANTS

DODGE ball bearings are factory lubricated with a lithium complex base lubricant. For applications where extreme ambient temperatures or speeds are anticipated or environmental considerations require a different lubricant, DODGE has a wide variety of lubricants available. Special lubricant options usually require set-up charges and premiums.

SEALS

The PROGUARD PLUS seal is a highly effective positive contact, land riding seal with flingers pressed on to each side of the inner ring offering added protection from wash down or extreme contamination. For high speeds or where seal drag would be an impediment, an all metallic labyrinth seal is available.

HIGH TEMPERATURE

DODGE high temperature bearings are designed to operate in temperatures from 225°F (108°C) to 400°F (205°C). The bearings have adjusted internal clearances, metallic labyrinth seals, high temperature retainers, heat stabilized outer rings, and lubricants to meet the temperature needs of the application. To insure proper replacement, the bearing is identified by a six digit part number etched on a stainless steel nameplate riveted to the housing. The part number identifies the specific feature of the bearing. High temperature bearings are factory assembled to order and are available at extra cost. Consult Dodge Engineering for application assistance at (864)284-5700 or fax (864) 281-2317.

AIR HANDLING

Industrial fans and blowers generally operate at high speeds with bearing requirements of long life and quiet operation. Dodge stocks SC, and SCM Air Handling Pillow Blocks and flange bearings that are specifically designed to meet the requirements of the air handling industry. These bearings are 100% noise tested, and have an air handling fit for long life and quiet operation. These bearings are recommended for fan and blower applications. Sizes and housing configurations not listed can be supplied on a made to order basis.

HOUSING MATERIAL

For extra corrosion resistance, a variety of housing finishes are available. Special materials include stainless steel or polymer housing, as an option. These coatings conform to U.S.D.A. and F.D.A. requirements. SC and SCM inserts can be supplied with a corrosion resistant coating on the inner and outer rings, stainless steel balls and set-screws, and nickel plated flingers as well as F.D.A. lubricant.

OTHER MODIFICATIONS

For applications requiring modifications not listed, we encourage you to contact our Customer Order Engineering Department at (864)284-5700 or fax (864)281-2317.

Bearing Reference Guide

ULTRA KLEEN

E-Z KLEEN

Extreme Duty

Setscrew Ball Bearing

GRIP TIGHT

D-LOK Ball Bearing

FEATURES/BENEFITS PAGE B4-3	HOW TO ORDER/NOMENCLATURE PAGE B4-5	SELECTION PAGE B4-6	SELECTION/DIMENSIONS PAGE B4-12
--------------------------------	--	------------------------	------------------------------------



RELATED PRODUCTS

Setscrew Ball Bearings HIGH TEMPERATURE SC & SCM BALL BEARINGS

Series	Shaft Size	Pillow Blocks		2 Bolt Flanges		4 Bolt Flanges	
		Part No.	Description	Part No.	Description	Part No.	Description
204	1/2	@	P2B-SC-008L-HT	054843	F2B-SC-008L-HT	@	F4B-SC-008L-HT
	5/8	@	P2B-SC-010L-HT	057474	F2B-SC-010L-HT	067710	F4B-SC-010L-HT
	3/4	053670	P2B-SC-012-HT	052618	F2B-SC-012-HT	058263	F4B-SC-012-HT
	20mm	@	<i>P2B-SC-20M-HT</i>	074828	<i>F2B-SC-20M-HT</i>	@	<i>F4B-SC-20M-HT</i>
205	7/8	@	P2B-SC-014-HT	051906	F2B-SC-014-HT	@	F4B-SC-014-HT
	15/16	068088	P2B-SC-015-HT	056864	F2B-SC-015-HT	054190	F4B-SC-015-HT
	1	051513	P2B-SC-100-HT	052294	F2B-SC-100-HT	052015	F4B-SC-100-HT
	25mm	@	<i>P2B-SC-25M-HT</i>	059821	<i>F2B-SC-25M-HT</i>	@	<i>F4B-SC-25M-HT</i>
206	1	054782	P2B-SCM-100-HT	064880	F2B-SCM-100-HT	074530	F4B-SCM-100-HT
	1-1/8	@	P2B-SC-102-HT	062877	F2B-SC-102-HT	068290	F4B-SC-102-HT
	1-3/16	053169	P2B-SC-103-HT	052604	F2B-SC-103-HT	054419	F4B-SC-103-HT
	1-1/4	062829	P2B-SC-104S-HT	@	F2B-SC-104S-HT	049462	F4B-SC-104S-HT
206 (SCU)	30mm	@	<i>P2B-SC-30M-HT</i>	@	<i>F2B-SC-30M-HT</i>	054534	<i>F4B-SC-30M-HT</i>
	1-1/8	@	P2B-SCU-102-HT	-----	-----	-----	-----
	1-3/16	059737	P2B-SCU-103-HT	-----	-----	-----	-----
	1-1/4	057847	P2B-SCU-104S-HT	-----	-----	-----	-----
207	30mm	@	<i>P2B-SCU-30M-HT</i>	-----	-----	-----	-----
	1-3/16	054314	P2B-SCM-103-HT	@	F2B-SCM-103-HT	074223	F4B-SCM-103-HT
	30mm	@	P2B-SCM-30M-HT	059673	F2B-SCM-30M-HT	@	F4B-SCM-30M-HT
	1-1/4	058262	P2B-SC-104-HT	052311	F2B-SC-104-HT	051826	F4B-SC-104-HT
	1-3/8	@	P2B-SC-106-HT	@	F2B-SC-106-HT	068185	F4B-SC-106-HT
	1-7/16	050189	P2B-SC-107-HT	054300	F2B-SC-107-HT	052540	F4B-SC-107-HT
208	1-7/16	052531	P2B-SCB-107-HT	-----	-----	-----	-----
	35mm	@	<i>P2B-SC-35M-HT</i>	@	<i>F2B-SC-35M-HT</i>	s	<i>F4B-SC-35M-HT</i>
	1-7/16	054276	P2B-SCM-107-HT	@	F2B-SCM-107-HT	054342	F4B-SCM-107-HT
	1-1/2	057338	P2B-SC-108-HT	054203	F2B-SC-108-HT	051827	F4B-SC-108-HT
208	1-5/8	@	P2B-SC-110-HT	@	F2B-SC-110-HT	058194	F4B-SC-110-HT
	40mm	062572	<i>P2B-SC-40M-HT</i>	@	<i>F2B-SC-40M-HT</i>	@	<i>F4B-SC-40M-HT</i>

@ Assembled to order.

Bearing Reference Guide

ULTRA KLEEN

E-Z KLEEN

Extreme Duty

Setscrew Ball Bearing

GRIP TIGHT

D-LOK Ball Bearing

FEATURES/BENEFITS PAGE B4-3	HOW TO ORDER/NOMENCLATURE PAGE B4-5	SELECTION PAGE B4-6	ACCESSORIES PAGE B4-98
--------------------------------	--	------------------------	---------------------------

RELATED PRODUCTS



Setscrew Ball Bearings HIGH TEMPERATURE SC & SCM BALL BEARINGS

Series	Shaft Size	Pillow Blocks		2 Bolt Flanges		4 Bolt Flanges	
		Part No.	Description	Part No.	Description	Part No.	Description
209	1-1/2	058380	P2B-SCM-108-HT	054203	F2B-SCM-108-HT	064557	F4B-SCM-108-HT
	1-5/8	@	P2B-SC-110L-HT	@	F2B-SC-110L-HT	@	F4B-SC-110L-HT
	1-11/16	053563	P2B-SC-111-HT	@	F2B-SC-111-HT	057212	F4B-SC-111-HT
	1-11/16	058619	P2B-SCB-111-HT	-----	-----	-----	-----
	1-3/4	062676	P2B-SC-112-HT	062157	F2B-SC-112-HT	051825	F4B-SC-112-HT
	45mm	@	<i>P2B-SC-45M-HT</i>	@	<i>F2B-SC-45M-HT</i>	@	<i>F4B-SC-45M-HT</i>
210	1-11/16	054315	P2B-SCM-111-HT	@	F2B-SCM-111-HT	054593	F4B-SCM-111-HT
	1-3/4	@	P2B-SCM-112-HT	057114	F2B-SCM-112-HT	057368	F4B-SCM-112-HT
	1-15/16	052047	P2B-SC-115-HT	073280	F2B-SC-115-HT	052048	F4B-SC-115-HT
	1-15/16	052532	P2B-SCB-115-HT	-----	-----	-----	-----
	2	058183	P2B-SC-200-HT	062309	F2B-SC-200-HT	057132	F4B-SC-200-HT
	50mm	@	<i>P2B-SC-50M-HT</i>	062779	<i>F2B-SC-50M-HT</i>	068066	<i>F4B-SC-50M-HT</i>
211	1-15/16	052276	P2B-SCM-115-HT	@	F2B-SCM-115-HT	057363	F4B-SCM-115-HT
	2	054934	P2B-SCM-200-HT	@	F2B-SCM-200-HT	054065	F4B-SCM-200-HT
	2-3/16	053955	P2B-SC-203-HT	059954	F2B-SC-203-HT	058852	F4B-SC-203-HT
	2-1/4	073065	P2B-SC-204-HT	@	F2B-SC-204-HT	054918	F4B-SC-204-HT
	55mm	@	<i>P2B-SC-55M-HT</i>	076558	<i>F2B-SC-55M-HT</i>	049894	<i>F4B-SC-55M-HT</i>
	212	2-3/16	054412	P2B-SCM-203-HT	@	F2B-SCM-203-HT	073772
2-1/4		068266	P2B-SCM-204-HT	@	F2B-SCM-204-HT	067830	F4B-SCM-204-HT
2-7/16		059614	P2B-SC-207-HT	@	F2B-SC-207-HT	057487	F4B-SC-207-HT
60mm		057800	<i>P2B-SC-60M-HT</i>	057800	<i>F2B-SC-60M-HT</i>	057801	<i>F4B-SC-60M-HT</i>
214	2-7/16	054316	P2B-SCM-207-HT	-----	-----	054917	F4B-SCM-207-HT
	2-1/2	073006	P2B-SCM-208-HT	-----	-----	056630	F4B-SCM-208-HT
	2-11/16	067774	P2B-SC-211-HT	-----	-----	065700	F4B-SC-211-HT
	70mm	@	<i>P2B-SC-70M-HT</i>	-----	-----	@	<i>F4B-SC-70M-HT</i>
215	2-15/16	056588	P2B-SC-215-HT	-----	-----	052550	F4B-SC-215-HT
	75mm	@	<i>P2B-SC-75M-HT</i>	-----	-----	074237	<i>F4B-SC-75M-HT</i>
216	2-15/16	054556	P2B-SCM-215-HT	-----	-----	052478	F4B-SCM-215-HT
	3	@	P2B-SCM-300-HT	-----	-----	059696	F4B-SCM-300-HT
	75mm	@	<i>P2B-SCM-75M-HT</i>	-----	-----	062182	<i>F4B-SCM-75M-HT</i>
218	3-7/16	049991	P2B-SCM-307-HT	-----	-----	057708	F4B-SCM-307-HT
	3-1/2	@	P2B-SCM-308-HT	-----	-----	058633	F4B-SCM-308-HT

@ Assembled to order.

FEATURES/BENEFITS PAGE B4-3	HOW TO ORDER/NOMENCLATURE PAGE B4-5	SELECTION PAGE B4-6	ACCESSORIES PAGE B4-98
--------------------------------	--	------------------------	---------------------------



RELATED PRODUCTS

Setscrew Ball Bearings HIGH TEMPERATURE SC & SCM BALL BEARINGS

Series	Shaft Size	Tapped Base Pillow Blocks		Flanged Bracket	
		Part Number	Description	Part Number	Description
204	3/4	059636	TB-SC-012-HT	@	FB-SC-012-HT
205	1	057906	TB-SC-100-HT	@	FB-SC-100-HT
207	1-1/4	@	TB-SC-104-HT	056578	FB-SC-104-HT
211	2-3/16	050555	TB-SC-203-HT		

Series	Shaft Size	Non Expansion Pillow Blocks		Expansion Pillow Blocks	
		Part Number	Description	Part Number	Description
206	1-3/16	-----	-----	054063	P2B-SCH-103-EHT
207	1-7/16	053894	P2B-SCH-107-HT	053895	P2B-SCH-107-EHT

Series	Shaft Size	Piloted Flanges	
		Part Number	Description
206	1	058652	FC-SCM-100-HT
208	1-1/2	053871	FC-SC-108-HT
	1-1/2	057683	FC-SCM-108-HT
211	1-15/16	058915	FC-SCM-115-HT
	2-1/4	058233	FC-SC-204-HT
212	2-7/16	058738	FC-SC-207-HT
	55mm	054837	FC-SCM-55M-HT
216	2-15/16	054831	FC-SCM-215-HT
	3	056911	FC-SCM-300-HT
218	3-7/16	068239	FC-SCM-307-HT

Series	Shaft Size	Wide Slot Take-up		Narrow Slot Take-up	
		Part Number	Description	Part Number	Description
210	1-15/16	057265	WSTU-SC-115-HT	054580	NSTU-SC-115-HT
211	55mm	049893	WSTU-SC-55M-HT	@	NSTU-SC-55M-HT
	1-15/16	049891	WSTU-SCM-115-HT	@	NSTU-SCM-115-HT
212	2-7/16	057839	WSTU-SC-207-HT	064237	NSTU-SC-207-HT
214	2-7/16	049811	WSTU-SCM-207-HT	@	-----
215	2-15/16	059844	WSTU-SC-215-HT	@	-----

@ Assembl to order.

Bearing Reference Guide

ULTRA KLEEN

E-Z KLEEN

Extreme Duty

Setscrew Ball Bearing

GRIP TIGHT

D-LOK Ball Bearing

FEATURES/BENEFITS PAGE B4-3	HOW TO ORDER/NOMENCLATURE PAGE B4-5	SELECTION PAGE B4-6	ACCESSORIES PAGE B4-98
--------------------------------	--	------------------------	---------------------------



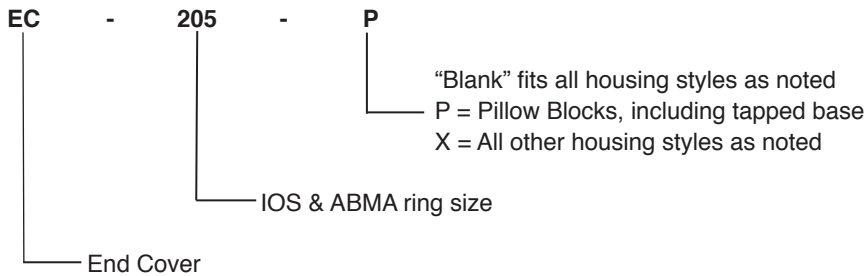
RELATED PRODUCTS

DODGE Ball Bearing End Covers*



- Fits all styles of DODGE cast iron housed ball bearings.: Pillow Blocks, 2 and 4 Bolt Flanges, and Take-Up bearings
- Injected molded, impact resistant, OSHA safety yellow end covers meet requirements for exposed rotating shaft
- Stainless steel “C” washer for gripping power
- No modification or machining of existing housings required
- Concentric knockout grooves on inside of end cover for thru-shaft
- DODGE six digit part number and description embossed inside
- Operating temperature to 250° F
- For non relubricable/sealed for life applications (-NL), part number **430020** hex head plug is available

Nomenclature



Series	Pillow Blocks Std, U, B	Tapped Base PB	2 Bolt Flange	Flanged Bracket	4 Bolt Flange	Piloted	Narrow	Wide
						Flange (FC)	Slot Take-Up	Slot Take-Up
203	X		X		X			
204	X	X	X		X		X	X
205	X	X	X	X	X		X	X
206	X	X	X	X	X	@	X	X
207	X	X	X	X	X	@	X	X
208	X	X	X		X	@	X	X
209	X	X	X		X	@	X	X
210	X	X	X	X	X	@	X	X
211	X	X	X		X	NA	X	X
212	X		X		X	NA	X	X
214	X				X	NA		X
215	X				X			X
216	X				X	X		X
218	X				X	X		

* = Will not fit LF, LFT, SCHB, HNGR & CYL

@ = Some modification required

NA = Will not fit

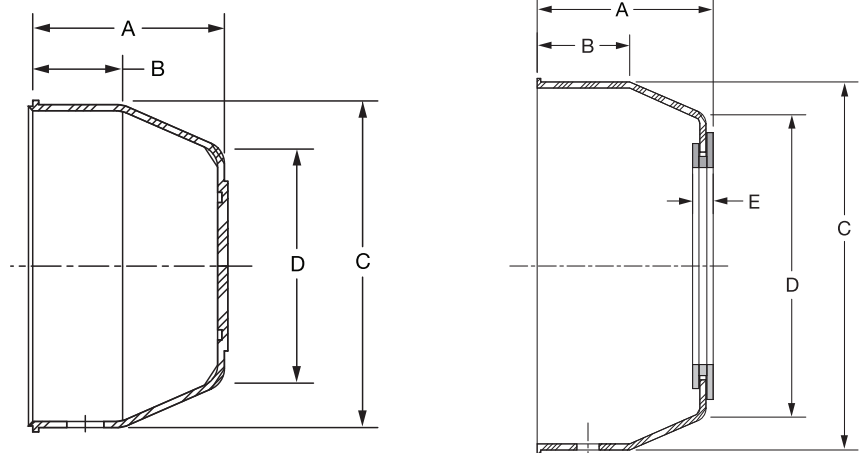
X = Will fit

FEATURES/BENEFITS PAGE B4-3	HOW TO ORDER/NOMENCLATURE PAGE B4-5	SELECTION PAGE B4-6	ACCESSORIES PAGE B4-98
--------------------------------	--	------------------------	---------------------------

RELATED PRODUCTS



Snap On End Covers * END CLOSURES



Series	Closed End Closure	
	Part Number	Description
204	128280	EC-204-Y
205	128281	EC-205-Y
206	128282	EC-206-Y
207	128283	EC-207-Y
208	128284	EC-208-Y
209	128285	EC-209-Y
210	128286	EC-210-Y
211	128277	EC-211-Y
212	128278	EC-212-Y
214	128220	EC-214
215	128221	EC-215
216	128222	EC-216
218	128223	EC-218

Shaft Size	Open End Closure	
	Part Number	Description
3/4 20mm	128350 128363	ECO-012-Y ECO-20M-Y
1 25mm	128351 128364	ECO-100-Y ECO-25M-Y
1-3/16 1-1/4 30mm	128352 128353 128365	ECO-103-Y ECO-104S-Y ECO-30M-Y
1-1/4 1-7/16 35mm	128355 128354 128366	ECO-104-Y ECO-107-Y ECO-35M-Y
1-1/2 40mm	128356 128367	ECO-108-Y ECO-40M-Y
1-11/16 45mm	128357 128368	ECO-111-Y ECO-45M-Y
1-15/16 50mm	128358 128369	ECO-115-Y ECO-50M-Y
1-15/16 2	079702 079701	ECO-115 (211) † ECO-200 (211) †
2-3/16 2-1/4 50mm	079700 079699 079698	ECO-203 (211) ECO-204 (211) ECO-50M (211) †
55mm	079697	ECO-55M (211) †
2-3/16 2-1/4	079696 079695	ECO-203 (212) † ECO-204 (212) †
2-7/16 55mm	079694 079693	ECO-207 (212) ECO-55M (212) †
60mm	079692	ECO-60M (212) †
2-7/16 2-1/2	127328 127329	ECO-207 (214) † ECO-208 (214) †
2-11/16 65mm	127330 127337	ECO-211 (214) ECO-65M (214) †
70mm	127338	ECO-70M (214) †
2-11/16 2-15/16	127331 127332	ECO-211 (215) † ECO-215 (215) †
70mm	127339	ECO-70M (215) †
75mm	127340	ECO-75M (215) †
2-15/16 3	127333 127334	ECO-215 (216) † ECO-300 (216) †
75mm	127340	ECO-75M (216) †
3-7/16 3-1/2 85MM	127335 127336 127342	ECO-307 (218) † ECO-308 (218) † ECO-85M (218) †
90MM	127343	ECO-90M (218) †

All P2B, F2B, F4B: 204 Series Through 218 Series Closed; 204 Series Through 218 Series Open * Will not fit LF, LFT, CYL, HNG, SCHB; † SCM Series only

FEATURES/BENEFITS PAGE B4-3	HOW TO ORDER/NOMENCLATURE PAGE B4-5	SELECTION PAGE B4-6	ACCESSORIES PAGE B4-98
--------------------------------	--	------------------------	---------------------------



Open Cover Dimensions

Series	Shaft Size	A	B	C	D	E
204	3/4	1.19	0.53	1.91	1.38	0.19
	20mm	30.2	13.5	48.4	35.1	4.9
205	1	1.25	0.53	2.17	1.61	0.19
	25mm	31.8	13.5	55.1	40.9	4.9
206	1-3/16	1.39	0.56	2.50	0.97	0.19
	1-1/4					
	30mm	35.3	14.2	63.5	50.0	4.9
207	1-1/4	1.53	0.69	2.91	2.31	0.19
	1-7/16					
208	35mm	38.9	17.5	73.9	58.9	4.9
	1-1/2	1.59	0.69	3.31	2.77	0.20
209	40mm	40.6	17.5	84.1	70.1	5.1
	1-11/16	1.66	0.72	3.50	2.88	0.20
210	45mm	41.9	18.3	88.9	72.9	5.1
	1-15/16	1.72	0.91	3.63	3.00	0.20
211	50mm	43.7	23.1	91.4	76.2	5.1
	1-15/16	1.80	0.97	3.94	3.30	0.21
	2					
2-3/16	45.5	24.6	100.1	83.6	5.3	
2-1/4						
212	50mm	1.91	1.00	4.38	3.66	0.21
	55mm					
	60mm	48.3	25.4	111.3	92.7	5.3
214	2-3/16	3.00	1.50	4.90	3.75	0.30
	2-1/4					
	2-7/16	76.2	38.1	124.5	95.3	5.3
215	70mm	3.00	1.50	5.20	4.00	0.30
	75mm					
	2-11/16	76.2	38.1	132.1	101.6	5.3
216	2-15/16	3.00	1.50	5.50	4.38	0.30
	3					
218	75mm	76.2	38.1	139.7	111.1	5.3
	3-7/16	3.09	1.50	6.25	5.00	0.30
	3-1/2					
218	85mm	78.6	38.1	158.8	127.0	5.3
	90mm					

RELATED PRODUCTS



Closed Cover Dimensions

Series	Shaft Size	A	B	C	D
204	3/4	1.13	0.53	1.91	1.38
	20mm	28.7	13.5	48.4	35.1
205	1	1.19	0.53	2.17	1.61
	25mm	30.2	13.5	55.1	40.9
206	1-3/16	1.33	0.56	2.50	0.97
	1-1/4				
	30mm	33.8	14.2	63.5	50.0
207	1-1/4	1.47	0.69	2.91	2.31
	1-7/16				
208	35mm	37.3	17.5	73.9	58.9
	1-1/2	1.55	0.69	3.31	2.77
209	40mm	39.1	17.5	84.1	70.1
	1-11/16	1.59	0.72	3.50	2.88
210	45mm	40.4	18.3	88.9	72.9
	1-15/16	1.66	0.91	3.62	3.00
211	50mm	42.2	23.1	91.4	76.2
	1-15/16	1.80	0.97	3.94	3.30
	2				
	2-3/16				
2-1/4	45.5	24.6	100.1	83.6	
212	55mm	1.91	1.00	4.38	3.66
	2-3/16				
	2-1/4				
214	2-7/16	3.00	1.50	4.90	3.75
	2-1/2				
	2-11/16				
	65mm	76.2	38.1	124.5	95.3
215	70mm	3.00	1.50	5.20	4.00
	75mm				
	2-11/16				
216	2-15/16	3.00	1.50	5.50	4.38
	3				
218	75mm	76.2	38.1	139.7	111.1
	2-15/16	3.00	1.50	5.20	4.00
	3-7/16	3.09	1.50	6.25	5.00
218	3-1/2	3.09	1.50	6.25	5.00
	85mm				
218	90mm	78.6	38.1	158.8	127.0

Bearing Reference Guide

ULTRA KLEEN

E-Z KLEEN

Extreme Duty

Setscrew Ball Bearing

GRIP TIGHT

D-LOK Ball Bearing

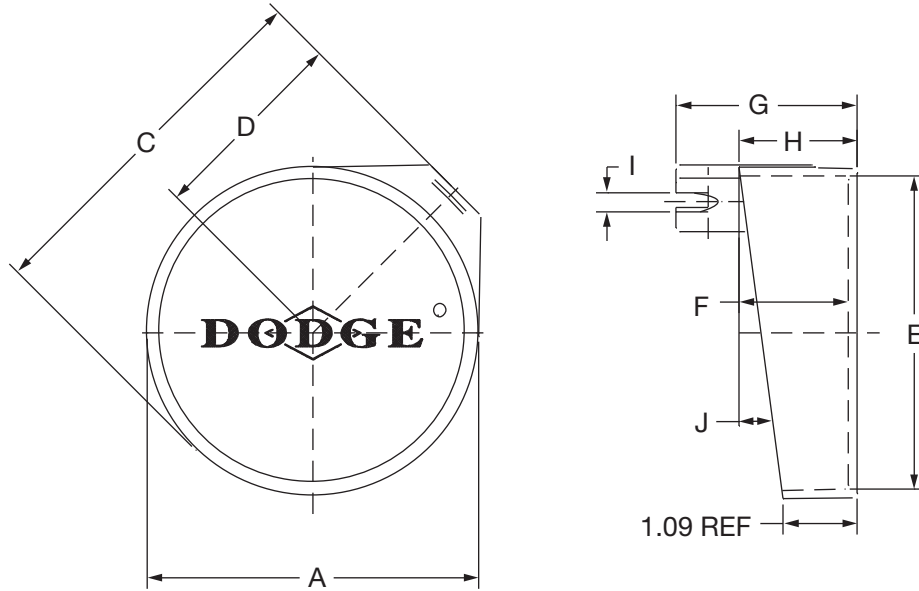
FEATURES/BENEFITS PAGE B4-3	HOW TO ORDER/NOMENCLATURE PAGE B4-5	SELECTION PAGE B4-6	ACCESSORIES PAGE B4-98
--------------------------------	--	------------------------	---------------------------

RELATED PRODUCTS



DODGE Ball Bearing End Covers*

BALL BEARING END COVERS FOR PILLOW BLOCKS & TAPPED BASE UNITS



Series	Shaft Size*		Part Number	Description
	SC, VSC, DL, XR, SXV	SCM, DLM, SCH, SXRH, DLH		
203	1/2 & 5/8 17mm	-----	128200	EC-203-P
204	1/2 - 3/4 20mm	-----	128202	EC-204-P
205	7/8 - 1 25mm	-----	128204	EC-205-P
206	1-1/16 - 1-1/4 30mm	1 25mm	128206	EC-206-P
207	1-1/4 - 1-7/16 35mm	1-3/16 & 1-1/4 30mm	128208	EC-207-P
208	1-1/2 - 1-5/8 40mm	1-7/16 35mm	128210	EC-208-P
209	1-5/8 - 1-3/4 45mm	1-1/2 40mm	128212	EC-209-P
210	1-15/16 & 2 50mm	1-11/16 & 1-3/4 45mm	128214	EC-210-P
211	2 - 2-1/4 55mm	1-15/16 & 2 50mm	128216	EC-211-P
212	2-1/4 - 2-7/16 60mm	2-3/16 - 2-1/4 55mm	128218	EC-212-P

*NOTE: SCH, SXRH, and DLH use the next larger end cover. E.g. A P2B-DLH-103 would use a EC-207-P.
For no re-lube (_NL) applications, part number 430020, hex head plus is available

FEATURES/BENEFITS PAGE B4-3	HOW TO ORDER/NOMENCLATURE PAGE B4-5	SELECTION PAGE B4-6	ACCESSORIES PAGE B4-98
--------------------------------	--	------------------------	---------------------------



RELATED PRODUCTS

DODGE Ball Bearing End Covers*

BALL BEARING END COVERS FOR PILLOW BLOCKS & TAPPED BASE UNITS

Bearing Reference Guide

ULTRA KLEEN

E-Z KLEEN

Extreme Duty

Setscrew Ball Bearing

GRIP TIGHT

D-LOK Ball Bearing

Series	Shaft Size*		A	B	C	D	E	F	G	H	I	J
	SC, VSC, DL, SXR, SXV	SCM, DLM, SCH, SXRH, DLH										
203	1/2 & 5/8 17mm	-----	1-25/32 45.2	1-43/64 42.4	2-7/64 53.6	1-3/32 27.7	1-41/64 41.7	49/64 19.56	1-29/64 37.1	29/32 22.9	1/4 6.4	9°
204	1/2 - 3/4 20mm	-----	2-3/64 52.0	1-27/32 46.7	2-37/64 65.3	1-19/64 33.0	1-55/64 47.2	1-1/64 25.65	1-49/64 45.0	1-5/32 29.5	5/16 7.9	11°
205	7/8 - 1 25mm	-----	2-3/8 60.2	2-3/16 55.6	2-13/16 71.4	1-3/16 35.0	2-5/32 54.9	1-1/16 26.92	1-7/8 47.8	1-7/32 31.0	11/32 8.6	9°
206	1-1/16 - 1-1/4 30mm	1 25mm	2-47/64 69.3	2-17/32 64.3	3-21/64 84.3	1-45/64 43.2	2-1/2 63.5	1-15/64 31.5	2-5/32 54.9	1-13/32 35.6	23/64 8.9	9°
207	1-1/4 - 1-7/16 35mm	1-3/16 & 1-1/4 30mm	3-1/4 82.6	3 76.20	3-51/64 96.3	1-29/32 48.5	3-1/64 76.7	1-5/16 33.27	2-11/32 59.4	1-31/64 37.6	3/8 9.4	7° 3'
208	1-1/2 - 1-5/8 40mm	1-7/16 35mm	3-3/8 85.9	3-1/8 79.5	4 101.60	2-1/16 52.3	3-7/64 79.0	1-19/64 33.02	2-13/32 61.0	1-1/2 38.1	27/64 10.7	6°
209	1-5/8 - 1-3/4 45mm	1-1/2 40mm	3-11/16 93.7	3-15/32 88.1	4-17/64 108.2	2-11/64 55.1	3-13/32 86.6	1-21/64 33.78	2-21/64 59.2	1-17/32 38.9	25/64 9.9	7°
210	1-15/16 & 2 50mm	1-11/16 & 1-3/4 45mm	3-7/8 98.6	3-37/64 90.9	4-1/2 114.3	2-19/32 59.2	3-37/64 90.9	1-23/64 34.29	2-1/2 63.5	1-9/16 39.6	31/64 12.5	9°
211	2 - 2-1/4 55mm	1-15/16 & 2 50mm	4-27/64 12.3	4 101.60	5-1/16 128.5	2-19/32 66.0	4-1/8 104.7	1-13/32 35.81	2-37/64 65.3	1-5/8 41.2	29/64 11.4	7°
212	2-1/4 - 2-7/16 60mm	2-3/16 - 2-1/4 55mm	4-59/64 125.0	4-15/32 113.3	5-29/64 138.7	2-3/4 69.9	4-39/64 117.1	1-17/32 38.86	2-11/16 68.3	1-3/4 44.5	13/32 10.4	8°

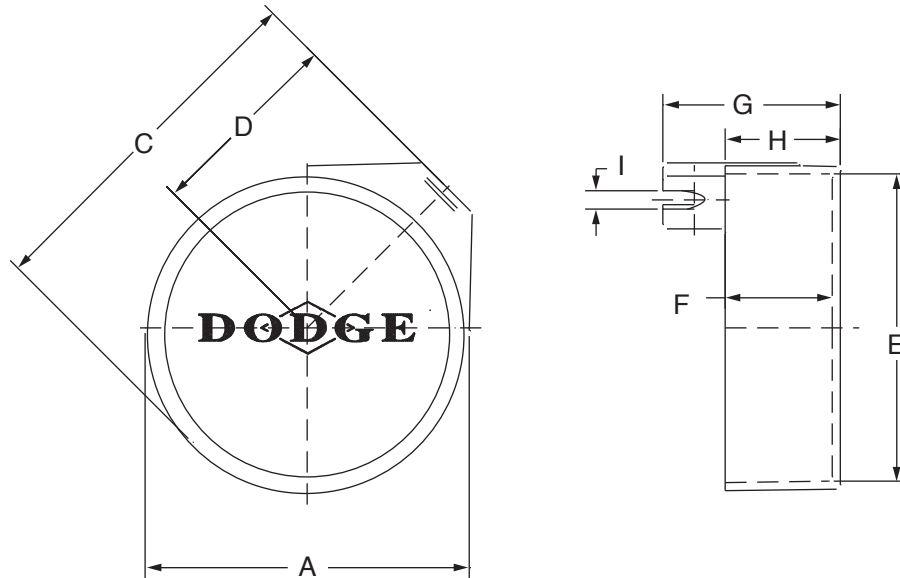
FEATURES/BENEFITS PAGE B4-3	HOW TO ORDER/NOMENCLATURE PAGE B4-5	SELECTION PAGE B4-6	ACCESSORIES PAGE B4-98
--------------------------------	--	------------------------	---------------------------



RELATED PRODUCTS

DODGE Ball Bearing End Covers*

BALL BEARING END COVERS FOR MOUNTED UNITS OTHER THAN PILLOW BLOCKS & TAPPED BASE UNITS



Series	Shaft Size*		Part Number	Description
	SC, VSC, DL, SXR, SXV	SCM & DLM		
203	1/2 & 5/8 17mm	-----	128201	EC-203-X
204	1/2 - 3/4 20mm	-----	128203	EC-204-X
205	7/8 - 1 25mm	-----	128205	EC-205-X
206	1-1/16 - 1-1/4 30mm	1 25mm	128207	EC-206-X
207	1-1/4 - 1-7/16 35mm	1-3/16 & 1-1/4 30mm	128209	EC-207-X
208	1-1/2 - 1-5/8 40mm	1-7/1 35mm	128211	EC-208-X
209	1-5/8 - 1-3/4 45mm	1-1/2 40mm	128213	EC-209-X
210	1-15/16 & 2 50mm	1-11/16 & 1-3/4 45mm	128215	EC-210-X
211	2 - 2-1/4 55mm	1-15/16 & 2 50mm	128217	EC-211-X
212	2-1/4 - 2-7/16 60mm	2-3/16 - 2-1/4 55mm	128219	EC-212-X

***NOTE:** Above end covers will not fit the LF and LFT bearings

For no re-lube (_NL) applications, part number 430020, hex head plus is available

FEATURES/BENEFITS PAGE B4-3	HOW TO ORDER/NOMENCLATURE PAGE B4-5	SELECTION PAGE B4-6	ACCESSORIES PAGE B4-98
--------------------------------	--	------------------------	---------------------------



RELATED PRODUCTS

DODGE Ball Bearing End Covers*

BALL BEARING END COVERS FOR MOUNTED UNITS OTHER THAN PILLOW BLOCKS & TAPPED BASE UNITS

Bearing Reference Guide
 ULTRA KLEEN
 E-Z KLEEN
 Extreme Duty
 Setscrew Ball Bearing
 GRIP TIGHT
 D-LOK Ball Bearing

Series	Shaft Size*		Weight lbs gm	A	B	C	D	E	F	G	H	I
	SC, VSC, DL, SXR, SXV	SCM & DLM										
203	1/2 - 5/8	-----	0.02	1-51/64	1-43/64	2-13/64	1-3/16	1-41/64	51/64	1-29/64	15/16	1/4
	17mm	-----	1	45.5	42.4	56.1	30.2	41.7	20.3	37.1	23.9	6.4
204	1/2 - 3/4	-----	0.03	2-7/32	2	2-47/64	1-25/64	2-1/32	1-1/64	1-13/16	1-5/32	5/16
	20mm	-----	15	56.1	50.8	69.6	35.3	51.6	25.7	45.7	29.5	7.9
205	7/8 - 1	-----	0.05	2-3/8	2-3/16	3-3/64	1-19/32	2-5/32	1-1/64	1-53/64	1-11/64	11/32
	25mm	-----	24	60.2	55.6	77.2	40.6	54.9	25.7	46.5	29.7	8.7
206	1-1/16 - 1-1/4	1	0.08	2-47/64	2-17/32	3-21/64	1-45/64	2-1/2	1-3/16	2-1/16	1-23/64	23/64
	30mm	25mm	36	69.3	64.3	84.3	43.2	63.5	30.2	52.3	34.5	8.9
207	1-1/4 - 1-7/16	1-3/16 & 1-1/4	0.12	3-1/4	3	3-27/32	1-31/32	3-1/64	1-11/32	2-11/32	1-17/32	3/8
	35mm	30mm	53	82.6	76.2	97.5	50.0	76.7	34.5	59.4	38.9	9.4
208	1-1/2 - 1-5/8	1-7/16	0.14	3-3/8	3-1/8	4	2-1/16	3-7/64	1-19/64	2-13/32	1-1/2	27/64
	40mm	35mm	64	85.9	79.5	101.60	52.3	79.0	33.0	61.0	38.1	10.7
209	1-5/8 - 1-3/4	1-1/2	0.16	3-11/16	3-15/32	4-17/64	2-11/64	3-13/32	1-23/64	2-21/64	1-17/32	25/64
	45mm	40mm	73	93.7	88.1	108.2	55.1	86.6	34.3	59.2	38.9	9.9
210	1-15/16 & 2	1-11/16 & 1-3/4	0.18	3-7/8	3-37/64	4-1/2	2-21/64	3-9/16	1-23/64	2-33/64	1-9/16	31/64
	50mm	45mm	82	98.6	90.9	114.3	59.2	90.9	34.3	63.8	39.6	12.4
211	2 - 2-1/4	1-15/16 & 2	0.24	4-27/64	4	5-1/16	2-19/32	4-1/8	1-29/64	2-37/64	1-21/32	29/64
	55mm	50mm	108	112.3	101.6	128.5	66.0	104.7	36.8	65.3	42.2	11.4
212	2-1/4 - 2-7/16	2-3/16 - 2-1/4	0.27	4-59/64	4-15/32	5-15/32	2-3/4	4-39/64	1-35/64	2-11/16	1-3/4	13/32
	60mm	55mm	124	125	113.3	138.7	69.9	117.1	39.1	68.3	44.5	10.4

FEATURES/BENEFITS PAGE B4-3	HOW TO ORDER/NOMENCLATURE PAGE B4-5	SELECTION PAGE B4-6	ACCESSORIES PAGE B4-98
--------------------------------	--	------------------------	---------------------------

NOTES



Bearing Reference Guide

ULTRA KLEEN

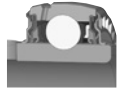
E-Z KLEEN

Extreme Duty

Setscrew Ball Bearing

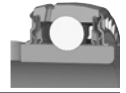
GRIP TIGHT

D-LOK Ball Bearing



Extreme Duty Setscrew Ball Bearings

Features / Benefits	B3-2
Easy Selection	B3-3
Selection	B3-5
Selection/Dimensions	
Pillow Blocks	B3-8
Tapped Base Pillow Block	B3-16
2 Bolt Flange Bearings	B3-17
4 Bolt Flange Bearings	B3-20
Piloted Flange Bearings	B3-23
Narrow Slot Take-Up Bearings	B3-25
Wide Slot Take-Up Bearings	B3-30
Inserts	B3-38
Accessories	B3-41
Part Number Index	INDEX-1
Key Word Index	KEYWORD-1



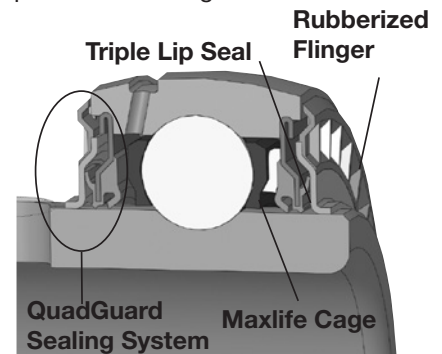
FEATURES/BENEFITS

Extreme Duty Setscrew Ball Bearings

The DODGE SC/SCMED Extreme Duty ball bearing offers extended life in the toughest industrial applications. Incorporating patented DODGE-only features such as the QuadGuard sealing system and the Maxlife ball cage, the DODGE SCED/SCMED bearing outperforms the competition in demanding environments where increasing equipment uptime is critical to success. Extreme conditions require highly-engineered products that will last. The DODGE Extreme Duty ball bearing is up to the challenge.

Insert: The Dodge Extreme Duty ball bearing incorporates 65° degree setscrews that provide maximum locking force without compromising the strength of the inner ring. Additional shaft attachment methods are available upon request. The design also includes an anti-rotation pin that prevents the insert from rotating in the housing under load which causes premature failure.

Sealing: The SCED uses the patented QuadGuard sealing system that offers superior protection in tough environments where there is significant risk of contamination. Industries such as agriculture, aggregate, cement, paper, wood products and metals require a sealing system that will extend the life of the bearing in harsh conditions. There are two major components to the QuadGuard design. The first is a unique triple-lip seal design that maximizes sealing without sacrificing the speed rating compared to a single lip design. The Dodge patented triple-lip design uses a mechanically retained seal where there are two contact points on the inner ring and one that rides against the flinger surface. Three points of contact maximize the ability of the bearing to guard against contamination and retain lubricants. The QuadGuard seal also incorporates the industry's first and only patented rubberized flinger. This flinger uses molded rubber to provide additional protection from contaminants entering the bearing. The baffle design of the rubber on the external surface of the flinger enhances the removal of liquid as it rotates. Grease chambers on the internal surface prevent lubricants from exiting the bearing. This superior design will increase service life in dirty environments thus leading to extended up-time for our customers. When used in conjunction with one another, the triple-lip seal and rubberized flinger create a sealing system that is perfect for demanding environments.



Retainer: The Maxlife Cage is the product of extensive research and development in retainer technology and industry leading engineering. The cage consists of a two-piece design that creates a grease compartment around each of the rolling elements. These compartments allow balls to be constantly in contact with grease, so a good oil film will always exist to prevent wear and minimize friction and heat. The Maxlife cage reduces the relative motion between the components and the grease which results in lower operating temperatures and extended life. The compartmental construction of the cage tends to hold in the grease and prevent it from being washed out in extremely wet or dirty conditions. This feature allows for extended life and the ability for the bearing to be relubricated with less frequency than standard designs.

Lubrication:

- Synthetic Grease
- SHC 220 PM synthetic grease standard
- Extends grease life. Less maintenance required.
- Cooler operating temperatures
- Extends life in wet applications

Housings:

- Cast Iron
- Pillow blocks
- 2 and 4 bolt flange bearings
- Tapped-base pillow blocks
- Piloted flange
- Wide and narrow slot take-up bearings



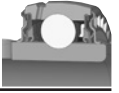
Maxlife Cage

End-Covers:

Dodge Extreme Duty ball bearings contain a machined groove in the housing to accommodate a snap-on style polymer end-cover as a standard feature. The end-cover provides additional protection from the environment and creates a safer working environment for employees maintaining equipment. The snap-on style end-cover incorporates an additional lip on the mounting surface for a more rigid fit within the housing. The design is more durable than a bolt-on style that uses the grease fitting to secure the cover in place and can be easily knocked off the bearing housings. Closed and open end-covers are available.



NOTE: Instruction manuals and drawings for Dodge bearings are available on www.dodge-pt.com



Selection of Extreme Duty Setscrew Ball Bearings

DODGE Extreme Duty mounted ball bearings are primarily designed for radial loading. However, they have the capacity to carry thrust loads and combined radial/thrust loads. The maximum recommended load which can be applied is limited by various components in the system, such as bearing, housing, shaft attachments, speed and life requirements as listed in this catalog and the instruction manual that accompanies each bearing. DODGE Extreme Duty ball bearings have been applied successfully when these limits have been exceeded under controlled operating conditions. Contact DODGE Engineering for applications which exceed these recommendations.

Select a bearing from the Selection Table that has a radial load rating at the operating speed equal to or greater than the calculated Equivalent Radial Load for a desired L_{10} life. This simple method is all that is required for the majority of general applications and provides for occasional average shock loads.

L_{10} Hours Life-the life which may be expected for at least 90% of a given group of bearings operating under identical conditions.

Heavy Service-For heavy shock loads, frequent shock loads or severe vibrations, add up to 50% (according to severity of conditions) to the Equivalent Radial Load to obtain a Modified Equivalent Radial Load. Consult Application Engineering for additional selection assistance.

A maximum thrust load value of $C/10$ is recommended as a guide for general applications and will give adequate L_{10} life. If the thrust load exceeds this limit, it is advisable to use auxiliary thrust carrying devices, such as a shaft shoulder, snap ring, or a thrust collar. Where substantial radial load pulls the housing away from the mounting base, both the hold-down bolts and housing must be of adequate strength. Auxiliary load carrying devices, such as shear bars, are advisable for side or end-loading of pillow blocks and radial loads for flange units.

To determine the L_{10} hours life for loads and RPMs not listed use the following equation:

$$L_{10} = \left(\frac{C}{P}\right)^3 \times \left(\frac{16,667}{n}\right)$$

Where:

L_{10} = Life, hours

C = Dynamic Capacity, lbs. or N

P = Equivalent Radial Load, lbs. or N

n = Revolutions per minute

When the load on a ball bearing is solely a radial load with no thrust (axial) load, the Equivalent Radial Load (P) is equal to the actual radial load. However, when a thrust (axial) load is applied, the radial and thrust loads applied must be converted into an Equivalent Radial Load. Use X (radial factor) and Y (thrust factor) from Table 1 to convert the actual applied thrust and radial loads to an Equivalent Radial Load which has the same effect on the life of a bearing as a radial load of this magnitude.

$$P = XF_R + YF_A$$

Where:

P = Equivalent Radial Load, lbs.

F_R = Radial load, lbs.

F_A = Thrust load, lbs.

e = Thrust load to radial load factor (Table 1)

X = Radial load factor (Table 1)

Y = Thrust Factor (Table 1)

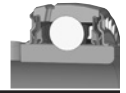
C_0 = Basic static capacity (Selection Table)

To find X and Y, first calculate F_A/C_0 to determine e. Calculate F_A/F_R and compare to e to determine the X and Y factors to use from Table 1.

Normal Shaft Size	Shaft Tolerances	
	Commercial Shaft Tolerance (Inches)	Recommended Shaft Tolerances Setscrew Ball Bearing (Inches)
Up to 1-1/2"	+0.000 -0.002	+0.0000 -0.0005
Over 1-1/2" to 2-1/2"	+0.000 -0.003	+0.0000 -0.0010
Over 2-1/2" to 4"	+0.000 -0.004	+0.0000 -0.0010

NOTE: Bearing analysis program "BEST" is available on www.ptwizard.com

FEATURES/BENEFITS PAGE B3-2	SELECTION PAGE B3-5	SELECTION/DIMENSIONS PAGE B3-8	ACCESSORIES PAGE B3-41
--------------------------------	------------------------	-----------------------------------	---------------------------



Selection of Extreme Duty Setscrew Ball Bearings

Table 1

F_A/C_0	e	Radial/Thrust Factors			
		If F_A/F_R is equal to or less than e		If F_A/F_R is greater than e	
		$F_A/F_R \leq e$		$F_A/F_R > e$	
		X	Y	X	Y
0.014	0.19	1	0	0.56	2.30
0.021	0.21	1	0	0.56	2.15
0.028	0.22	1	0	0.56	1.99
0.042	0.24	1	0	0.56	1.85
0.056	0.26	1	0	0.56	1.71
0.070	0.27	1	0	0.56	1.63
0.084	0.28	1	0	0.56	1.55
0.110	0.30	1	0	0.56	1.45
0.170	0.34	1	0	0.56	1.31
0.280	0.38	1	0	0.56	1.15
0.420	0.42	1	0	0.56	1.04
0.560	0.44	1	0	0.56	1.00

Lubrication- DODGE Ball Bearings are lubricated at the factory and are ready to run. The bearings are initially lubricated with a lithium complex grease and should be relubricated with the same or some equivalent. For high speeds, high loads, extreme temperatures and other abnormal operating conditions, special greases may be required. Contact DODGE Application Engineering for recommendations on these types of applications.

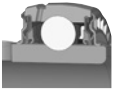
Misalignment - DODGE Ball Bearings are designed to allow a maximum of $\pm 2^\circ$ static misalignment. These bearings are not suitable for dynamic misalignment. To ensure good alignment, mounting surfaces must be checked for flatness and must lie in the same plane. When tightening base bolts, each bolt should be alternately tightening in incremental torque values until full torque is achieved to prevent the angular shifting of the pillow block that occurs when one bolt is tightened to its full torque. Shimming may be required to minimize misalignment.

Substitute all known values into the Equivalent Radial Load equation. The Equivalent Radial Load (P) thus determined can be used in the L_{10} life formula or compared to the allowable Equivalent Radial Load rating desired in the expanded rating chart to select a bearing (Selection Table).

If calculated value of P is less than F_R , use $P=F_R$.

NOTE: Bearing analysis program "BEST" is available on www.ptwizard.com

FEATURES/BENEFITS PAGE B3-2	SELECTION PAGE B3-5	SELECTION/DIMENSIONS PAGE B3-8	ACCESSORIES PAGE B3-41
--------------------------------	------------------------	-----------------------------------	---------------------------



SELECTION

Setscrew Ball Bearings

Recommended Torque													
Setscrews					D-LOK			Mounting Bolts					
Setscrew Size	Key Hex Across Flats	◆ Recommended Torque			Cap Screw Size	Recom. Torque	EZ-KLEEN Recom. Torque	Metal Housings		EZ-KLEEN Housed Bearings			
		Standard Ball Bearing Insert		Corrosion Resistant Stainless Steel				Bolt Size	Recom. Dry Torque (Grade 2)	2-Bolt PB, 2 & 4 Bolt Fig. and Fig. Brackets		Tapped Base PB	
		Min	Max							Bolt Size	Torque ①	Bolt Size	Torque ②
(in.)	(in.)	(in.-lbs.)	(in.-lbs.)	(in.-lbs.)	(in.)	(in.-lbs.)	(in.-lbs.)	(in.)	(in.-lbs.)	(in.)	(in.-lbs.)	(in.)	(in.-lbs.)
#10	3/32	28	33	25	#8-32	58	46	3/8-16	240	3/8-16	225	3/8-16	175
1/4	1/8	66	80	60	#10-32	90	72	7/16-14	384	7/16-14	350	7/16-14	350
5/16	5/32	126	156	117	1/4-28	180	144	1/2-13	600	1/2-13	500	1/2-13	400
3/8	3/16	228	275	206	5/16-24	400	320	5/8-11	1200	9/16-12	650		
7/16	7/32	342	428	321	3/8-24	750	600	3/4-10	1950	5/8-11	1000		
								7/8-9	2890				
(mm)	(mm)	(N-m)	(N-m)	(N-m)	(mm)	(N-m)	(N-m)	(mm)	(N-m)	(mm)	(N-m)		
M5	2.5	3.2	3.7	2.8	M4	585	4.68	M10	29	M8	15	① Torque for Austenitic (18-8) Stainless	
M6	3	6.2	7.7	5.8	M5	10.75	8.6	M12	50	M10	25	② Max. torque values published. Do not exceed	
M8	4	14.2	17.8	13.4	M6	20.5	16.4	M16	124	M12	50		
M10	5	26	31	23	M8	45	36	M20	238	M14	75		
M12	6	46	57	43				M22	322	M18	125		

Lubrication

High Speed Operation - In the higher speed ranges, too much grease will cause over-heating. The amount of grease that the bearing will take for a particular high speed application can only be determined by experience. If excess grease in the bearing causes overheating, it will be necessary to remove grease fitting to permit excess grease to escape. The bearing has been greased at the factory and is ready to run. When establishing a relubrication schedule, note that a small amount of grease at frequent intervals is preferable to a large amount at infrequent intervals.

◆ **NOTE:** Dodge does not recommend the use of oils or locking agents on setscrew threads. However, if utilized, the minimum installation torque values should be followed.

Lubrication Guide

Use a No. 2 Lithium complex base grease or equivalent*

Hours Run per Day	Suggested Lubrication Period in Weeks							
	1 to 250 RPM	251 to 500 RPM	501 to 750 RPM	751 to 1000 RPM	1001 to 1500 RPM	1501 to 2000 RPM	2001 to 2500 RPM	2501 to 3000 RPM
8	12	12	10	7	5	4	3	2
16	12	7	5	4	2	2	1	1
24	10	5	3	2	1	1	1	1

* For EZ-KLEEN series bearings, use an aluminum complex base grease.

Lubrication recommendations are intended for standard products applied in general operating conditions. For modified products, high temperature applications, and other anomalous applications contact product engineering at 864-284-5700.

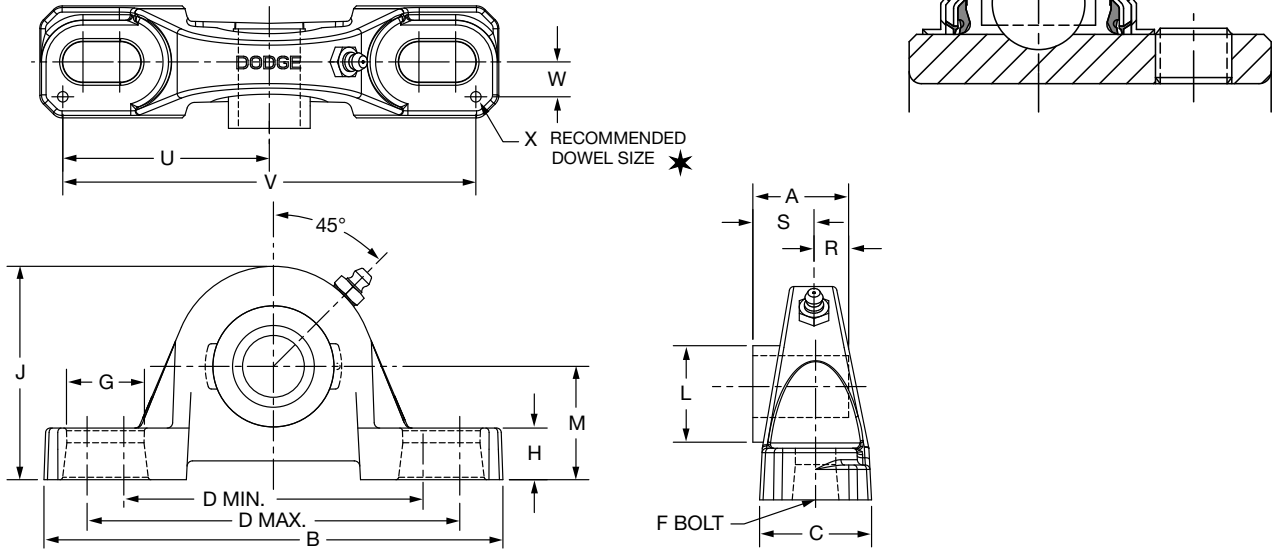
NOTE: Bearing analysis program "BEST" is available on www.ptwizard.com

FEATURES/BENEFITS PAGE B3-2	EASY SELECTION PAGE B3-3	SELECTION/DIMENSIONS PAGE B3-8	ACCESSORIES PAGE B3-41
--------------------------------	-----------------------------	-----------------------------------	---------------------------

SELECTION/DIMENSIONS



EXTREME DUTY SETSCREW BALL BEARINGS SCED AND SCUED NORMAL DUTY PILLOW BLOCKS

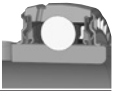


Series	Shaft Size	Standard Part No.	Description
204	1/2	@	P2B-SCED-008L
	5/8	075546	P2B-SCED-010L
	3/4	076000	P2B-SCED-012
	20mm	076220	P2B-SCED-20M
205	7/8	@	P2B-SCED-014
	15/16	@	P2B-SCED-015
	1	076001	P2B-SCED-100
	25mm	076221	P2B-SCED-25M
206	1-1/16	@	P2B-SCED-101
	1-1/8	076002	P2B-SCED-102
	1-3/16	076003	P2B-SCED-103
	1-1/4	076004	P2B-SCED-104S
	30mm	076222	P2B-SCED-30M
206 (SCU)	1-1/16	@	P2B-SCUED-101
	1-1/8	@	P2B-SCUED-102
	1-3/16	@	P2B-SCUED-103
	1-1/4	@	P2B-SCUED-104S
	30mm	@	P2B-SCUED-30M
207	1-1/4	076005	P2B-SCED-104
	1-5/16	@	P2B-SCED-105
	1-3/8	076006	P2B-SCED-106
	1-7/16	076007	P2B-SCED-107
	35mm	076223	P2B-SCED-35M

@ Assembled to order.

FEATURES/BENEFITS PAGE B3-2	EASY SELECTION PAGE B3-3	SELECTION PAGE B3-5	ACCESSORIES PAGE B3-41
--------------------------------	-----------------------------	------------------------	---------------------------

SELECTION/DIMENSIONS



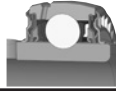
EXTREME DUTY SETSCREW BALL BEARINGS SCED AND SCUED NORMAL DUTY PILLOW BLOCKS

Series	Shaft Size	Weight lbs. kgs	A	B	C	D		F Bolt Dia.	G	H
						Min.	Max.			
204	1/2	1.6	1.23	5.25	1.34	3.38	4.19	3/8	0.85	0.53
	5/8	1.5								
	3/4	1.4								
	20mm	0.7	31.2	133.4	34.0	85.9	106.4	M10	21.6	13.5
205	7/8	1.8	1.34	5.50	1.40	3.69	4.50	3/8	0.85	0.58
	15/16	1.7								
	1	1.6								
	25mm	0.7	34.0	139.7	35.6	93.7	114.3	M10	21.6	14.7
206	1-1/16	2.8	1.52	6.25	1.75	4.25	5.00	1/2	0.94	0.68
	1-1/8	2.7								
	1-3/16	2.6								
	1-1/4	2.5								
	30mm	1.1	38.6	158.8	44.5	108.0	127.0	M12	23.9	17.3
206 (SCU)	1-1/16	2.9	1.52	6.25	1.75	4.25	5.00	1/2	0.94	0.75
	1-1/8	2.8								
	1-3/16	2.7								
	1-1/4	2.6								
	30mm	1.1	38.6	158.8	44.5	108.0	127.0	M12	23.9	19.1
207	1-1/4	4.5	1.71	6.50	1.75	4.68	5.44	1/2	0.94	0.71
	1-5/16	4.4								
	1-3/8	4.3								
	1-7/16	4.2								
	35mm	1.5	43.4	165.1	44.5	118.9	138.2	M12	23.9	18.0

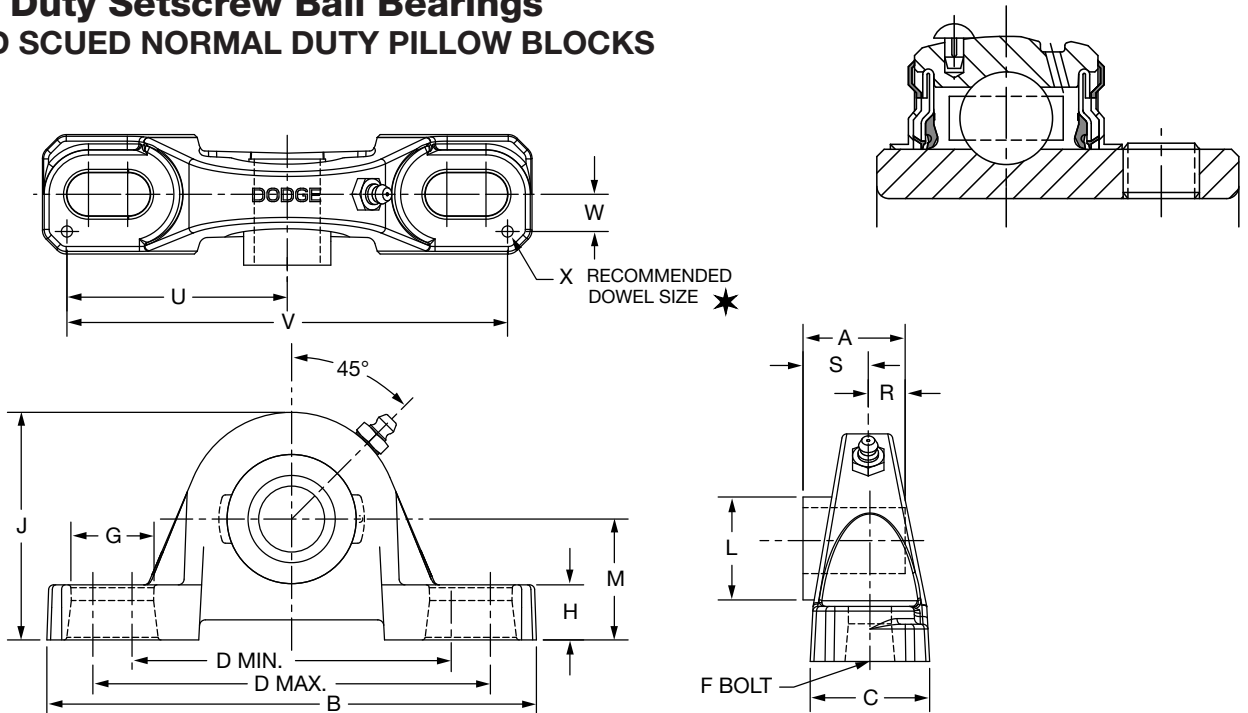
Series	Shaft Size	J	L	M	R	S	U	V	W	X
204	1/2	2.56	1.12	1.31	0.50	0.73	2.25	4.50	0.50	0.12
	5/8									
	3/4									
	20mm	65.0	28.4	33.3	12.7	18.5	57.2	114.3	12.7	3.0
205	7/8	2.77	1.32	1.44	0.56	0.78	2.50	5.00	0.50	0.12
	15/16									
	25mm	70.4	33.5	36.5	14.2	19.8	63.5	127.0	12.7	3.0
206	1-1/16	3.25	1.57	1.63	0.58	0.94	2.88	5.76	0.56	0.12
	1-1/8									
	1-3/16									
	30mm	82.6	39.9	41.3	14.7	23.9	73.2	146.3	14.2	3.0
206 (SCU)	1-1/16	3.31	1.57	1.69	0.58	0.94	2.88	5.76	0.56	0.12
	1-1/8									
	1-3/16									
	30mm	84.1	39.9	42.9	14.7	23.9	73.2	146.3	14.2	3.0
207	1-1/4	3.75	1.84	1.88	0.67	1.04	2.91	5.82	0.56	0.12
	1-5/16									
	1-3/8									
	35mm	95.3	46.7	47.6	17.0	26.4	73.9	147.8	14.2	3.0

FEATURES/BENEFITS PAGE B3-2	EASY SELECTION PAGE B3-3	SELECTION PAGE B3-5	ACCESSORIES PAGE B3-41
--------------------------------	-----------------------------	------------------------	---------------------------

SELECTION/DIMENSIONS



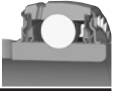
Extreme Duty Setscrew Ball Bearings SCED AND SCUED NORMAL DUTY PILLOW BLOCKS



Series	Shaft Size	Standard Part No.	Description
208	1-1/2	076008	P2B-SCED-108
	1-5/8	@	P2B-SCED-110
	40mm	076224	P2B-SCED-40M
209	1-5/8	@	P2B-SCED-110L
	1-11/16	076009	P2B-SCED-111
	1-3/4	076010	P2B-SCED-112
210	45mm	076225	P2B-SCED-45M
	1-15/16	076011	P2B-SCED-115
	2	076012	P2B-SCED-200
211	50mm	076226	P2B-SCED-50M
	2	076132	P2B-SCMED-200
	2-3/16	076133	P2B-SCMED-203
212	2-1/4	@	P2B-SCED-204
	55mm	076227	P2B-SCED-55M
	2-1/4	@	P2B-SCMED-204
214	2-7/16	076014	P2B-SCED-207
	60mm	076228	P2B-SCED-60M
	2-1/2	076135	P2B-SCMED-208
215	2-11/16	076015	P2B-SCED-211
	70mm	076229	P2B-SCED-70M
	2-15/16	076016	P2B-SCED-215
215 (SCU)	75mm	@	P2B-SCUED-215
	75mm	@	P2B-SCUED-75M
218	90mm	@	P2B-SCED-90M

@ Assembled to order

FEATURES/BENEFITS PAGE B3-2	EASY SELECTION PAGE B3-3	SELECTION PAGE B3-5	ACCESSORIES PAGE B3-41
--------------------------------	-----------------------------	------------------------	---------------------------



SELECTION/DIMENSIONS

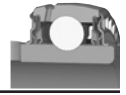
Extreme Duty Setscrew Ball Bearings SCED AND SCUED NORMAL DUTY PILLOW BLOCKS

Series	Shaft Size	Weight lbs. kgs	A	B	C	D		F Bolt Dia.	G	H
						Min.	Max.			
208	1-1/2	5.4	1.94	7.25	1.93	5.18	5.88	1/2	0.91	0.93
	1-5/8	5.3								
	40mm	2.2	49.3	184.2	49.0	131.6	149.4	M12	23.1	23.6
209	1-5/8	6.6	1.94	7.44	2.00	5.50	6.19	1/2	0.90	0.75
	1-11/16	6.4								
	1-3/4 45mm	6.2 2.2	49.3	189.0	50.8	139.7	157.2	M12	22.9	19.1
210	1-15/16	7.2	1.94	8.12	2.25	6.00	6.68	5/8	1.02	0.75
	2	7.0								
	50mm	2.6	49.3	206.2	57.2	152.4	169.7	M16	25.9	19.1
211	2	9.0	2.22	8.88	2.30	6.38	7.44	5/8	1.21	0.88
	2-3/16	8.9								
	2-1/4 55mm	8.8 3.3	56.4	225.6	58.4	162.1	189.0	M16	30.7	22.4
212	2-1/4	10.8	2.31	9.50	2.37	6.88	7.94	5/8	1.21	0.88
	2-7/16	10.2								
	60mm	4.2	58.7	241.3	60.2	174.8	201.7	M16	30.7	22.4
214	2-1/2	15.5	2.54	10.75	2.69	7.50	8.50	3/4	1.32	0.94
	2-11/16	15.0								
	70mm	6.9	64.5	273.1	68.3	190.5	215.9	M18	33.5	23.9
215	2-15/16	20.5	2.33	11.75	2.88	8.50	9.50	7/8	1.44	1.00
	75mm	7.9	59.2	298.5	73.2	215.9	241.3	M22	36.6	25.4
215 (SCU)	2-15/16 75mm	20.7 8.0	2.33 59.2	11.75 298.5	2.88 73.2	8.50 215.9	9.50 241.3	7/8 M22	1.44 36.6	1.00 25.4
218	90mm	13.6	65.0	355.6	85.9	262.1	295.1	M22	40.4	33.3

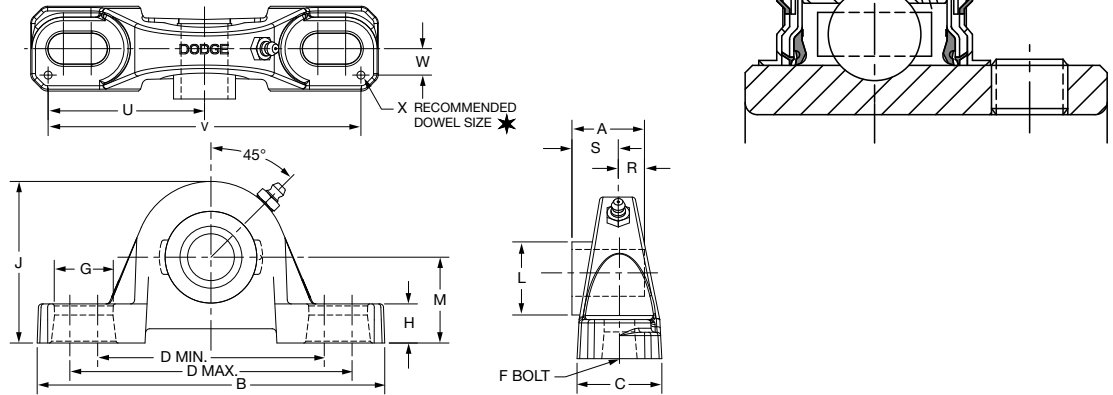
Series	Shaft Size	J	L	M	R	S	U	V	W	X
208	1-1/2	4.19	2.05	2.13	0.75	1.19	3.26	6.52	0.69	0.12
	1-5/8									
	40mm	106.4	52.1	54.0	19.1	30.2	82.8	165.6	17.5	3.0
209	1-5/8	4.28	2.22	2.13	0.75	1.19	3.38	6.76	0.69	0.12
	1-11/16									
	1-3/4 45mm	108.7	56.4	54.0	19.1	30.2	85.9	171.7	17.5	3.0
210	1-15/16	4.53	2.43	2.25	0.75	1.19	3.69	7.38	0.81	0.12
	2									
	50mm	115.1	61.7	57.2	19.1	30.2	93.7	187.5	20.6	3.0
211	2	4.96	2.71	2.50	0.87	1.35	3.94	7.88	0.81	0.12
	2-3/16									
	2-1/4 55mm	126.0	68.8	63.5	22.1	34.3	100.1	200.2	20.6	3.0
212	2-1/4	5.40	2.97	2.75	0.90	1.41	4.25	8.50	0.88	0.12
	2-7/16									
	60mm	137.2	75.4	69.9	22.9	35.8	108.0	215.9	22.4	3.0
214	2-1/2	6.09	3.31	3.00	1.06	1.48	4.88	9.76	0.94	0.12
	2-11/16									
	70mm	154.7	84.1	76.2	26.9	37.6	124.0	247.9	23.9	3.0
215	2-15/16	6.75	3.62	3.50	0.86	1.47	5.48	10.96	1.04	0.12
	75mm	171.5	91.9	88.9	21.8	37.3	139.2	278.4	26.4	3.0
215 (SCU)	2-15/16 75mm	6.50 165.1	3.62 91.9	3.25 82.6	0.86 21.8	1.47 37.3	5.48 139.2	10.96 278.4	1.04 26.4	0.12 3.0
218	90mm	203.2	110.5	101.6	24.4	40.6	167.6	335.3	30.2	3.0

FEATURES/BENEFITS PAGE B3-2	EASY SELECTION PAGE B3-3	SELECTION PAGE B3-5	ACCESSORIES PAGE B3-41
--------------------------------	-----------------------------	------------------------	---------------------------

SELECTION/DIMENSIONS



Extreme Duty Setscrew Ball Bearings SCBED NORMAL DUTY PILLOW BLOCKS



Series	Shaft Size	Part No.	Description	Weight lb. kgs	A	B	C	D		F Bolt Dia.	G	H
								Min.	Max.			
204	1/2	@	P2B-SCBED-008L	1.6	1.23	5.25	1.34	3.38	4.19	3/8	0.85	0.47
	5/8	@	P2B-SCBED-010L	1.5								
	3/4	@	P2B-SCBED-012	1.4								
	20mm	@	P2B-SCBED-20M	0.7	31.2	133.4	34.0	85.9	106.4	M10	21.6	11.9
205	7/8	@	P2B-SCBED-014	1.8	1.34	5.50	1.40	3.69	4.50	3/8	0.85	0.45
	15/16	@	P2B-SCBED-015	1.7								
	1	@	P2B-SCBED-100	1.6								
	25mm	@	P2B-SCBED-25M	0.7	34.0	139.7	35.6	93.7	114.3	M10	21.6	11.4
206	1-1/16	@	P2B-SCBED-101	2.8	1.52	6.25	1.75	4.25	5.00	1/2	0.94	0.62
	1-1/8	@	P2B-SCBED-102	2.7								
	1-3/16	@	P2B-SCBED-103	2.6								
	1-1/4	@	P2B-SCBED-104S	2.5								
	30mm	@	P2B-SCBED-30M	1.1	38.6	158.8	44.5	108.0	127.0	M12	23.9	15.8
207	1-1/4	@	P2B-SCBED-104	4.5	1.71	6.50	1.75	4.68	5.44	1/2	0.94	0.65
	1-5/16	@	P2B-SCBED-105	4.4								
	1-3/8	@	P2B-SCBED-106	4.3								
	1-7/16	@	P2B-SCBED-107	4.2								
	35mm	@	P2B-SCBED-35M	1.5	43.4	165.1	44.5	118.9	138.2	M12	23.9	16.5
208	1-1/2	@	P2B-SCBED-108	5.4	1.94	7.25	1.93	5.18	5.88	1/2	0.91	0.75
	1-5/8	@	P2B-SCBED-110	5.3								
	40mm	@	P2B-SCBED-40M	2.2	49.3	184.2	49.0	131.6	149.4	M12	23.1	19.1
209	1-5/8	@	P2B-SCBED-110L	6.6	1.94	7.44	2.00	5.50	6.19	1/2	0.90	0.69
	1-11/16	@	P2B-SCBED-111	6.4								
	1-3/4	@	P2B-SCBED-112	6.2								
	45mm	076545	P2B-SCBED-45M	2.2	49.3	189.0	50.8	139.7	157.2	M12	22.9	17.5
210	1-15/16	@	P2B-SCBED-115	7.2	1.94	8.12	2.25	6.00	6.68	5/8	1.02	0.68
	2	@	P2B-SCBED-200	7.0								
	50mm	@	P2B-SCBED-50M	2.6	49.3	206.2	57.2	152.4	169.7	M16	25.9	17.3
211	2	@	P2B-SCBED-200L	9.0	2.22	8.88	2.30	6.38	7.44	5/8	1.21	0.81
	2-3/16	@	P2B-SCBED-203	8.9								
	2-1/4	@	P2B-SCBED-204	8.8								
	55mm	@	P2B-SCBED-55M	3.3	56.4	225.6	58.4	162.1	189.0	M16	30.7	20.6
212	2-1/4	@	P2B-SCBED-204L	10.8	2.31	9.50	2.37	6.88	7.94	5/8	1.21	0.81
	2-7/16	077453	P2B-SCBED-207	10.2								
	60mm	@	P2B-SCBED-60M	4.2	58.7	241.3	60.2	174.8	201.7	M16	30.7	20.6
215	2-15/16	@	P2B-SCBED-215	20.5	2.33	11.75	2.88	8.50	9.50	7/8	1.44	1.06
	75mm	@	P2B-SCBED-75M	7.9	59.2	298.5	73.2	215.9	241.3	M22	36.6	26.9

@ Assembled to order.

FEATURES/BENEFITS PAGE B3-2	EASY SELECTION PAGE B3-3	SELECTION PAGE B3-5	ACCESSORIES PAGE B3-41
--------------------------------	-----------------------------	------------------------	---------------------------



SELECTION/DIMENSIONS

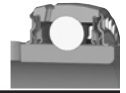
Extreme Duty Setscrew Ball Bearings SCBED NORMAL DUTY PILLOW BLOCKS

Bearing Reference Guide
 ULTRA KLEEN
 E-Z KLEEN
 Extreme Duty
 Setscrew Ball Bearing
 GRIP TIGHT
 D-LOK Ball Bearing

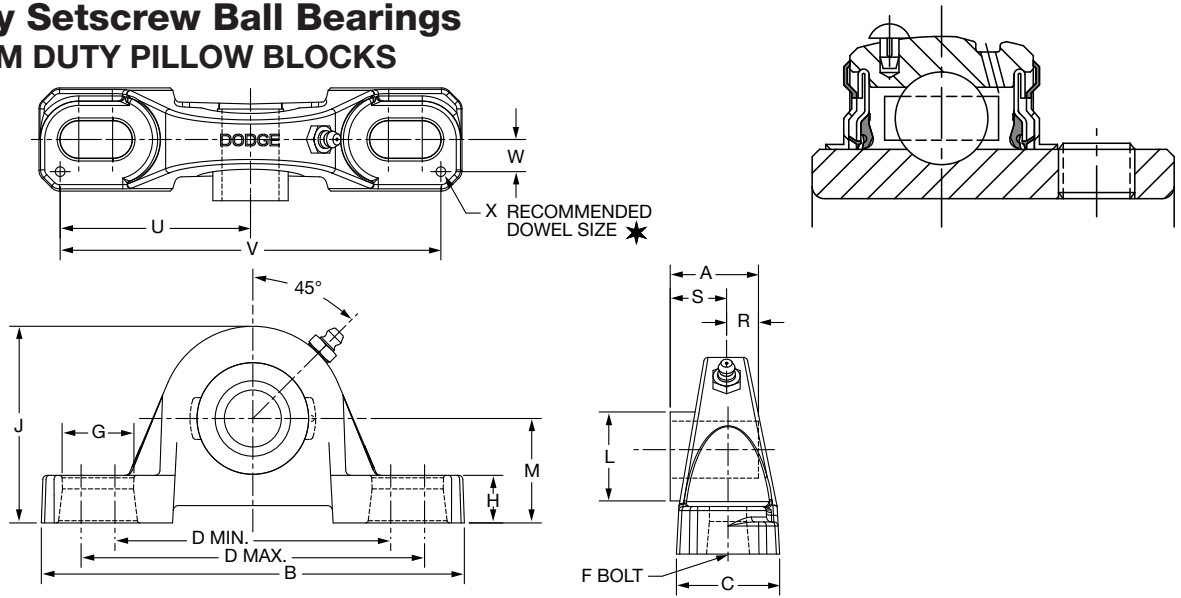
Series	Shaft Size	J	L	M	R	S	U	V	W	X
204	1/2	2.49	1.12	1.25	0.50	0.73	2.25	4.50	0.50	0.12
	5/8									
	3/4 20mm	63.2	28.4	31.8	12.7	18.5	57.2	114.3	12.7	3.0
205	7/8	2.64	1.32	1.31	0.56	0.78	2.50	5.00	0.50	0.12
	15/16									
	1 25mm	67.1	33.5	33.3	14.2	19.8	63.5	127.0	12.7	3.0
206	1-1/16	3.19	1.57	1.56	0.58	0.94	2.88	5.76	0.56	0.12
	1-1/8									
	1-3/16									
	1-1/4 30mm	81.0	39.9	39.6	14.7	23.9	73.2	146.3	14.2	3.0
207	1-1/4	3.69	1.84	1.81	0.67	1.04	2.91	5.82	0.56	0.12
	1-5/16									
	1-3/8									
	1-7/16 35mm	93.7	46.7	46.0	17.0	26.4	73.9	147.8	14.2	3.0
208	1-1/2	4.00	2.05	1.94	0.75	1.19	3.26	6.52	0.69	0.12
	1-5/8									
	40mm	101.6	52.1	49.3	19.1	30.2	82.8	165.6	17.5	3.0
209	1-5/8	4.21	2.22	2.06	0.75	1.19	3.38	6.76	0.69	0.12
	1-11/16									
	1-3/4 45mm	106.9	56.4	52.3	19.1	30.2	85.9	171.7	17.5	3.0
210	1-15/16	4.47	2.43	2.19	0.75	1.19	3.69	7.38	0.81	0.12
	2									
	50mm	113.5	61.7	55.6	19.1	30.2	93.7	187.5	20.6	3.0
211	2	4.90	2.71	2.44	0.87	1.35	3.94	7.88	0.81	0.12
	2-3/16									
	2-1/4 55mm	124.5	68.8	62.0	22.1	34.3	100.1	200.2	20.6	3.0
212	2-1/4	5.34	2.97	2.69	0.90	1.41	4.25	8.50	0.88	0.12
	2-7/16									
	60mm	135.6	75.4	68.3	22.9	35.8	108.0	215.9	22.4	3.0
215	2-15/16	6.56	3.62	3.31	0.86	1.47	5.48	10.96	1.04	0.12
	75mm	166.6	91.9	84.1	21.8	37.3	139.2	278.4	26.4	3.0

FEATURES/BENEFITS PAGE B3-2	EASY SELECTION PAGE B3-3	SELECTION PAGE B3-5	ACCESSORIES PAGE B3-41
--------------------------------	-----------------------------	------------------------	---------------------------

SELECTION/DIMENSIONS



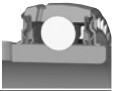
Extreme Duty Setscrew Ball Bearings SCMED MEDIUM DUTY PILLOW BLOCKS



Series	Shaft Size	Standard Part No.	Description
206	1	076125	P2B-SCMED-100
	25mm	076296	P2B-SCMED-25M
206 (SCMU)	1	@	P2B-SCMU-100
	25mm	@	P2B-SCMU-25M
207	1-3/16	076126	P2B-SCMED-103
	1-1/4	076005	P2B-SCMED-104
	30mm	076297	P2B-SCMED-30M
208	1-7/16	076127	P2B-SCMED-107
	35mm	076298	P2B-SCMED-35M
209	1-1/2	076128	P2B-SCMED-108
	1-5/8	@	P2B-SC-110L
	40mm	076299	P2B-SCMED-40M
210	1-11/16	076129	P2B-SCMED-111
	1-3/4	076130	P2B-SCMED-112
	45mm	076300	P2B-SCMED-45M
211	1-15/16	076131	P2B-SCMED-115
	2	076132	P2B-SCMED-200
212	50mm	076301	P2B-SCMED-50M
	2-3/16	076133	P2B-SCMED-203
	2-1/4	@	P2B-SCMED-204
214	55mm	076302	P2B-SCMED-55M
	2-7/16	076134	P2B-SCMED-207
	2-1/2	076135	P2B-SCMED-208
215	65mm	076303	P2B-SCMED-65M
	2-11/16	076136	P2B-SCMED-211
	70mm	076304	P2B-SCMED-70M
216	2-15/16	076137	P2B-SCMED-215
	3	076138	P2B-SCMED-300
	75mm	076305	P2B-SCMED-75M
218	3-7/16	076139	P2B-SCMED-307
	3-1/2	076140	P2B-SCMED-308
	85mm	076306	P2B-SCMED-85M

@ Assembled to order

FEATURES/BENEFITS PAGE B3-2	EASY SELECTION PAGE B3-3	SELECTION PAGE B3-5	ACCESSORIES PAGE B3-41
--------------------------------	-----------------------------	------------------------	---------------------------



SELECTION/DIMENSIONS

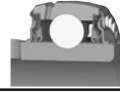
Extreme Duty Setscrew Ball Bearings SCMED MEDIUM DUTY PILLOW BLOCKS

Series	Shaft Size	Weight lbs. kgs	A	B	C	D		F Bolt Dia.	G	H
						Min.	Max.			
206	1	3.0	1.52	6.25	1.75	4.25	5.00	1/2	0.94	0.68
	25mm	1.3	38.6	158.8	44.5	108.0	127.0	M12	23.9	17.3
206 (SCMU)	1	3.1	1.52	6.25	1.75	4.25	5.00	1/2	0.94	0.75
	25mm	1.4	38.6	158.8	44.5	108.0	127.0	M12	23.9	19.1
207	1-3/16	4.6	1.71	6.50	1.75	4.68	5.44	1/2	0.94	0.71
	1-1/4 30mm	2.0	43.4	165.1	44.5	118.9	138.2	M12	23.9	18.0
208	1-7/16	5.4	1.94	7.25	1.93	5.18	5.88	1/2	0.91	0.93
	35mm	2.3	49.3	184.2	49.0	131.6	149.4	M12	23.1	23.6
209	1-1/2	6.4	1.94	7.44	2.00	5.50	6.19	1/2	0.90	0.75
	1-5/8 40mm	2.7	49.3	189.0	50.8	139.7	157.2	M12	22.9	19.1
210	1-11/16	7.4	1.94	8.12	2.25	6.00	6.68	5/8	1.02	0.75
	1-3/4 45mm	3.2	49.3	206.2	57.2	152.4	169.7	M16	25.9	19.1
211	1-15/16	9.2	2.22	8.88	2.30	6.38	7.44	5/8	1.21	0.88
	2 50mm	3.9	56.4	225.6	58.4	162.1	189.0	M16	30.7	22.4
212	2-3/16	11.0	2.31	9.50	2.37	6.88	7.94	5/8	1.21	0.88
	2-1/4 55mm	4.7	58.7	241.3	60.2	174.8	201.7	M16	30.7	22.4
214	2-7/16	15.7	2.54	10.75	2.69	7.50	8.50	3/4	1.32	0.94
	2-1/2 65mm	6.7	64.5	273.1	68.3	190.5	215.9	M18	33.5	23.9
215	2-11/16	21.0	2.33	11.75	2.88	8.50	9.50	7/8	1.44	1.00
	70mm	9.0	59.2	298.5	73.2	215.9	241.3	M22	36.6	25.4
216	2-15/16	21.3	2.38	11.75	3.00	8.50	9.50	7/8	1.44	1.25
	3 75mm	21.1	60.5	298.5	76.2	215.9	241.3	M22	36.6	31.8
218	3-7/16	31.8	2.56	14.00	3.38	10.32	11.62	7/8	1.59	1.31
	3-1/2 85mm	31.3	65.0	355.6	85.9	262.1	295.1	M22	40.4	33.3

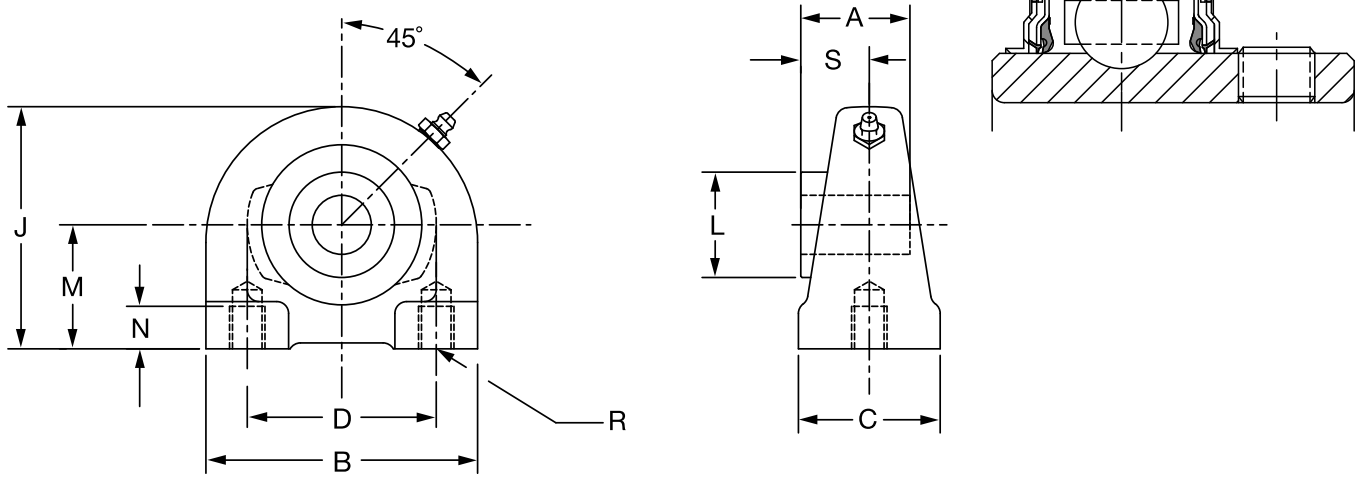
Series	Shaft Size	J	L	M	R	S	U	V	W	X
206	1	3.25	1.57	1.63	0.58	0.94	2.88	5.76	0.56	0.12
	25mm	82.6	39.9	41.3	14.7	23.9	73.2	146.3	14.2	3.0
206 (SCMU)	1	3.31	1.57	1.69	0.58	0.94	2.88	5.76	0.56	0.12
	25mm	84.1	39.9	42.9	14.7	23.9	73.2	146.3	14.2	3.0
207	1-3/16	3.75	1.84	1.88	0.67	1.04	2.91	5.82	0.56	0.12
	1-1/4 30mm	95.3	46.7	47.6	17.0	26.4	73.9	147.8	14.2	3.0
208	1-7/16	4.19	2.05	2.13	0.75	1.19	3.26	6.52	0.69	0.12
	35mm	106.4	52.1	54.0	19.1	30.2	82.8	165.6	17.5	3.0
209	1-1/2	4.28	2.22	2.13	0.75	1.19	3.38	6.76	0.69	0.12
	1-5/8 40mm	108.7	56.4	54.0	19.1	30.2	85.9	171.7	17.5	3.0
210	1-11/16	4.53	2.43	2.25	0.75	1.19	3.69	7.38	0.81	0.12
	1-3/4 45mm	115.1	61.7	57.2	19.1	30.2	93.7	187.5	20.6	3.0
211	1-15/16	4.96	2.71	2.50	0.87	1.35	3.94	7.88	0.81	0.12
	2 50mm	126.0	68.8	63.5	22.1	34.3	100.1	200.2	20.6	3.0
212	2-3/16	5.40	2.97	2.75	0.90	1.41	4.25	8.50	0.88	0.12
	2-1/4 55mm	137.2	75.4	69.9	22.9	35.8	108.0	215.9	22.4	3.0
214	2-7/16	6.09	3.31	3.00	1.06	1.48	4.88	9.76	0.94	0.12
	2-1/2 65mm	154.7	84.1	76.2	26.9	37.6	124.0	247.9	23.9	3.0
215	2-11/16	6.75	3.62	3.50	0.86	1.47	5.48	10.96	1.04	0.12
	70mm	171.5	91.9	88.9	21.8	37.3	139.2	278.4	26.4	3.0
216	2-15/16	6.97	3.83	3.50	0.88	1.50	5.50	11.00	1.09	0.12
	3 75mm	177.0	97.3	88.9	22.4	38.1	139.7	279.4	27.7	3.0
218	3-7/16	8.00	4.35	4.00	0.96	1.60	6.60	13.20	1.19	0.12
	3-1/2 85mm	203.2	110.5	101.6	24.4	40.6	167.6	335.3	30.2	3.0

FEATURES/BENEFITS PAGE B3-2	EASY SELECTION PAGE B3-3	SELECTION PAGE B3-5	ACCESSORIES PAGE B3-41
--------------------------------	-----------------------------	------------------------	---------------------------

SELECTION/DIMENSIONS



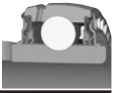
Extreme Duty Setscrew Ball Bearings SCED NORMAL DUTY TAPPED BASE PILLOW BLOCKS



Series	Shaft Size	Part No.	Description	Weight lbs kg	A	B	C	D	J	L	M	N	R	S
204	1/2	@	TB-SCED-008	1.56	1.23	2.88	1.50	2.00	2.56	1.12	1.31	0.50	3/8-16	0.73
	5/8	077418	TB-SCED-010	1.53										
	3/4	076017	TB-SCED-012	1.50										
	20mm	076231	TB-SCED-20M	0.06	31.2	73.2	38.1	50.8	65.0	28.4	33.4	12.7	M8x1.25	18.5
205	7/8	@	TB-SCED-014	1.93	1.34	3.00	1.50	2.00	2.81	1.32	1.44	0.50	3/8-16	0.78
	15/16	@	TB-SCED-015	1.90										
	1	076018	TB-SCED-100	1.87										
	25mm	076232	TB-SCED-25M	0.07	34.0	76.2	38.1	50.8	71.4	33.5	36.5	12.7	M10x1.5	19.8
206	1-1/16	@	TB-SCED-101	2.66	1.52	4.00	1.50	3.00	3.38	1.57	1.69	0.63	7/16-14	0.94
	1-1/8	076019	TB-SCED-102	2.62										
	1-3/16	076020	TB-SCED-103	2.59										
	1-1/4	076021	TB-SCED-104S	2.56										
	30mm	076233	TB-SCED-30M	0.10	38.6	101.6	38.1	76.2	85.9	39.9	42.9	16.0	M10x1.5	23.9
207	1-1/4	076022	TB-SCED-104	3.41	1.71	4.25	1.88	3.25	3.75	1.84	1.88	0.75	1/2-13	1.04
	1-5/16	@	TB-SCED-105	3.36										
	1-3/8	076023	TB-SCED-106	3.34										
	1-7/16	076024	TB-SCED-107	3.25										
	35mm	076234	TB-SCED-35M	0.13	43.4	108.0	47.8	82.6	95.3	46.7	47.6	19.1	M10x1.5	26.4
208	1-1/2	076025	TB-SCED-108	4.10	1.94	4.63	1.88	3.50	3.94	2.05	1.94	0.75	1/2-13	1.19
	1-5/8	@	TB-SCED-110	4.00										
	40mm	076235	TB-SCED-40M	0.16	49.3	117.6	47.8	88.9	100.1	52.1	49.2	19.1	M12x1.75	30.2
209	1-5/8	@	TB-SCED-110L	5.20	1.94	5.00	2.00	3.75	4.25	2.22	2.13	0.75	1/2-13	1.19
	1-11/16	076026	TB-SCED-111	5.00										
	1-3/4	076027	TB-SCED-112	4.90										
	45mm	076236	TB-SCED-45M	0.20	49.3	127.0	50.8	95.3	108.0	56.4	54.0	19.1	M12x1.75	30.2
210	1-15/16	076028	TB-SCED-115	5.40	1.94	5.50	2.00	4.00	4.63	2.43	2.25	0.88	5/8-11	1.19
	2	076029	TB-SCED-200	5.20										
	50mm	076237	TB-SCED-50M	0.21	49.3	139.7	50.8	101.6	117.6	61.7	57.2	22.4	M16x2	30.2
211	2	@	TB-SCED-200L	6.70	2.22	5.50	2.00	4.00	4.63	2.71	2.25	0.88	5/8-11	1.35
	2-3/16	076030	TB-SCED-203	6.50										
	2-1/4	@	TB-SCED-204	6.30										
	55mm	076238	TB-SCED-55M	0.25	56.4	139.7	50.8	101.6	117.6	68.8	57.2	22.4	M16x2	34.3

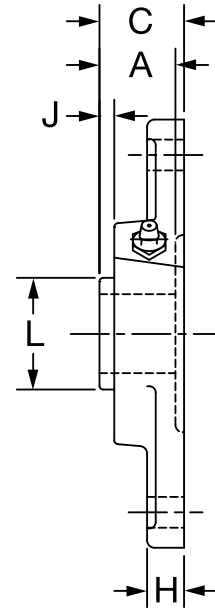
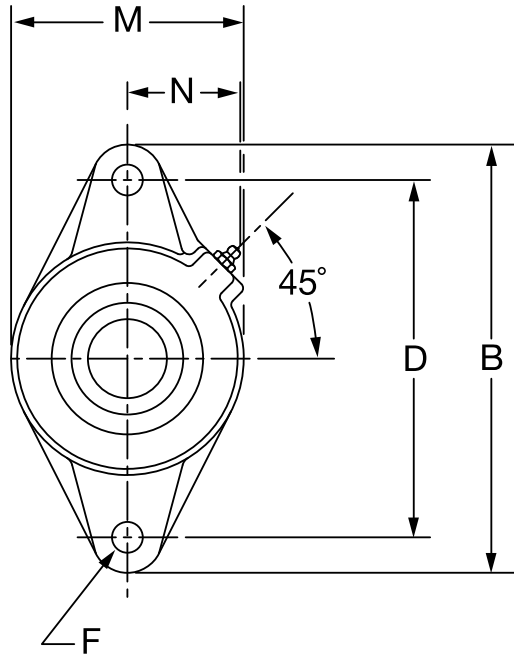
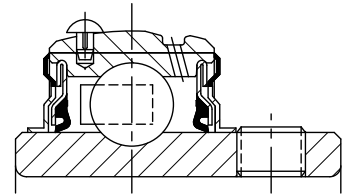
@ Assembled to order

FEATURES/BENEFITS PAGE B3-2	EASY SELECTION PAGE B3-3	SELECTION PAGE B3-5	ACCESSORIES PAGE B3-41
--------------------------------	-----------------------------	------------------------	---------------------------



SELECTION/DIMENSIONS

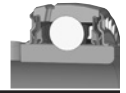
Extreme Duty Setscrew Ball Bearings SCED NORMAL DUTY 2-BOLT FLANGE BEARINGS



Series	Shaft Size	Standard Part No.	Description	Weight Lbs. kg	A	B	C	D	F Bolt Dia.	H	J	L	M	N
204	1/2	@	F2B-SCED-008L	1.6	1.23	4.41	1.34	3.53	3/8	0.50	0.36	1.12	2.38	1.50
	5/8	@	F2B-SCED-010L	1.5										
	3/4	076031	F2B-SCED-012	1.4										
	20mm	076239	F2B-SCED-20M	0.5	31.2	112.0	34.0	89.7	M10	12.7	9.1	28.4	60.5	38.1
205	7/8	@	F2B-SCED-014	1.6	1.34	4.88	1.37	3.89	7/16	0.52	0.42	1.32	2.75	1.44
	15/16	@	F2B-SCED-015	1.5										
	1	076032	F2B-SCED-100	1.4										
	25mm	076240	F2B-SCED-25M	0.6	34.0	124.0	34.8	98.8	M10	13.2	10.7	33.5	69.9	36.6
206	1-1/16	@	F2B-SCED-101	2.3	1.52	5.56	1.56	4.59	7/16	0.50	0.49	1.57	3.13	1.56
	1-1/8	076033	F2B-SCED-102	2.2										
	1-3/16	076034	F2B-SCED-103	2.1										
	1-1/4	076035	F2B-SCED-104S	2.0										
	30mm	076241	F2B-SCED-30M	1.0	38.6	141.2	39.6	116.7	M10	12.7	12.4	39.9	79.5	39.6
207	1-1/4	076036	F2B-SCED-104	3.5	1.71	6.13	1.75	5.12	1/2	0.56	0.53	1.84	3.75	1.84
	1-5/16	@	F2B-SCED-105	3.4										
	1-3/8	076037	F2B-SCED-106	3.2										
	1-7/16	076038	F2B-SCED-107	3.1										
	35mm	076242	F2B-SCED-35M	1.5	43.4	155.7	44.5	130.0	M12	14.2	13.5	46.7	95.3	46.7

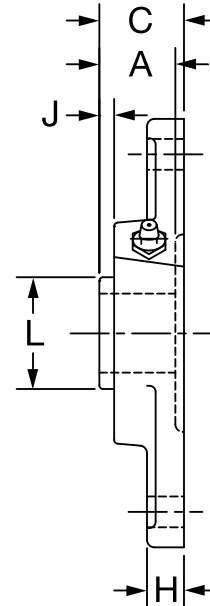
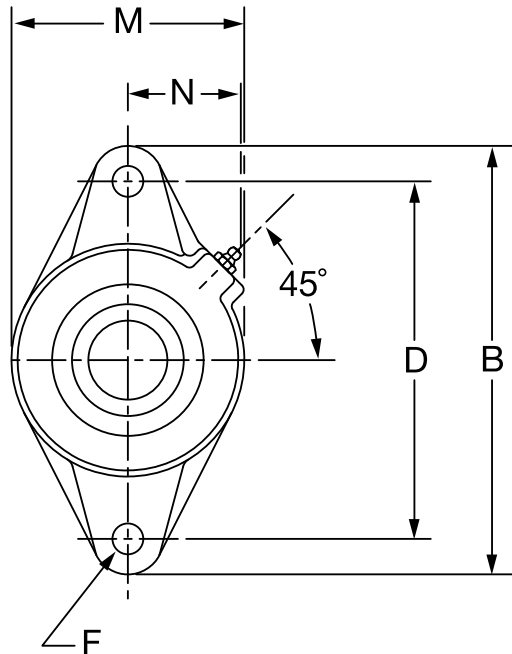
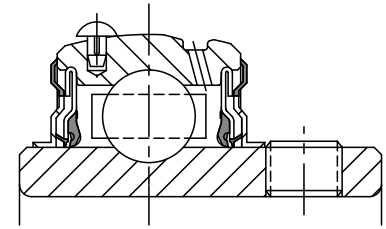
@Assembled to order

FEATURES/BENEFITS PAGE B3-2	EASY SELECTION PAGE B3-3	SELECTION PAGE B3-5	ACCESSORIES PAGE B3-41
--------------------------------	-----------------------------	------------------------	---------------------------



SELECTION/DIMENSIONS

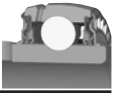
Extreme Duty Setscrew Ball Bearings SCED NORMAL DUTY 2-BOLT FLANGE BEARINGS



Series	Shaft Size	Standard Part No.	Description	Weight lbs kg	A	B	C	D	F Bolt Dia.	H	J	L	M	N
208	1-1/2	076039	F2B-SCED-108	4.1	1.94	6.75	1.98	5.66	1/2	0.56	0.63	2.05	4.13	1.83
	1-5/8	@	F2B-SCED-110	4.0										
	40mm	076243	<i>F2B-SCED-40M</i>	1.8	49.3	171.5	50.3	143.8	M12	14.2	16.0	52.1	104.9	46.5
209	1-5/8	@	F2B-SCED-110L	5.2	1.94	7.06	1.99	5.84	1/2	0.63	0.59	2.22	4.38	1.91
	1-11/16	076040	F2B-SCED-111	5.0										
	1-3/4	076041	F2B-SCED-112	4.9										
	1-13/16	@	F2B-SCED-113	4.7										
210	45mm	076244	<i>F3B-SCED-45M</i>	2.2	49.3	179.3	50.5	148.3	M14	16.0	15.0	56.4	111.3	48.5
	1-15/16	076042	F2B-SCED-115	5.4	1.94	7.44	2.02	6.19	1/2	0.63	0.55	2.43	4.56	2.03
	2	076043	F2B-SCED-200	5.2										
211	50mm	076245	<i>F2B-SCED-50M</i>	2.5	49.3	189.0	51.3	157.2	M16	16.0	14.0	61.7	115.8	51.6
	2	076148	F2B-SCMED-200	6.7	2.22	8.63	2.28	7.25	5/8	0.67	0.68	2.71	5.25	2.27
	2-3/16	076044	F2B-SCED-203	6.5										
	2-1/4	075697	F2B-SCED-204	6.3										
212	55mm	@	<i>F2B-SCED-55M</i>	3.0	56.4	219.2	57.9	184.2	M16	17.0	17.3	68.8	133.4	57.7
	2-1/4	@	F2B-SCMED-204	7.4	2.31	9.81	2.38	7.96	5/8	0.81	0.66	2.97	5.50	2.47
	2-7/16	076045	F2B-SCED-207	7.0										
60mm	077773	<i>F2B-SCED-60M</i>	3.4	58.7	249.2	60.5	202.1	M22	20.6	16.8	75.4	139.7	62.7	

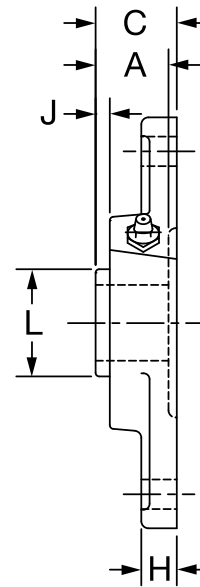
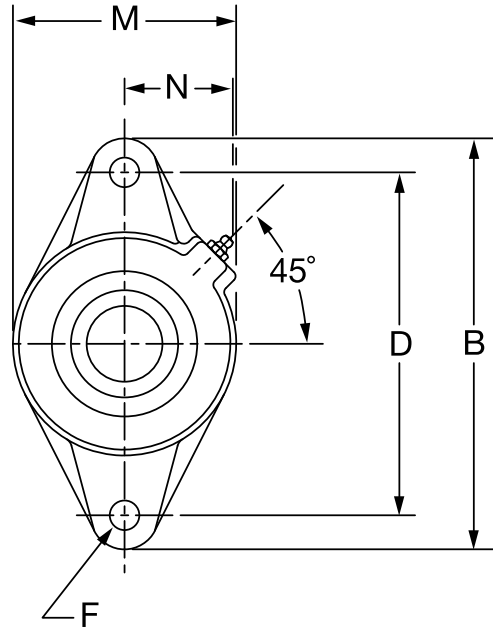
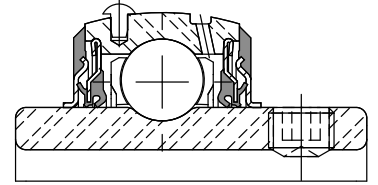
@Assembled to order

FEATURES/BENEFITS PAGE B3-2	EASY SELECTION PAGE B3-3	SELECTION PAGE B3-5	ACCESSORIES PAGE B3-41
--------------------------------	-----------------------------	------------------------	---------------------------



SELECTION/DIMENSIONS

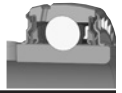
Extreme Duty Setscrew Ball Bearings SCMED MEDIUM DUTY 2-BOLT FLANGE BEARINGS



Series	Shaft Size	Standard Part No.	Description	Weight lbs. kgs.	A	B	C	D	F Bolt Dia.	J	K	L	M	N
206	1	076141	F2B-SCMED-100	2.4	1.52	5.56	1.56	4.59	7/16	0.50	0.49	1.57	3.13	1.56
	25mm	076307	F2B-SCMED-25M	1.0	38.6	141.2	39.6	116.7	M10	12.7	12.4	39.9	79.5	39.6
207	1-3/16	076142	F2B-SCMED-103	3.6	1.71	6.13	1.75	5.12	1/2	0.56	0.53	1.84	3.75	1.84
	1-1/4 30mm	@ 076308	F2B-SCMED-104 F2B-SCMED-30M	3.5 1.6	43.4	155.7	44.5	130.0	M12	14.2	13.5	46.7	95.3	46.7
208	1-7/16	076143	F2B-SCMED-107	4.1	1.94	6.75	1.98	5.66	1/2	0.56	0.63	2.05	4.13	1.83
	35mm	076309	F2B-SCMED-35M	1.9	49.3	171.5	50.3	143.8	M12	14.2	16.0	52.1	104.9	46.5
209	1-1/2	076144	F2B-SCMED-108	5.3	1.94	7.06	1.99	5.84	1/2	0.63	0.59	2.22	4.38	1.91
	1-5/8 40mm	@ 076310	F2B-SCMED-110L F2B-SCMED-40M	5.2 2.3	49.3	179.3	50.5	148.3	M14	16.0	15.0	56.4	111.3	48.5
210	1-11/16	076145	F2B-SCMED-111	5.8	1.94	7.44	2.02	6.19	1/2	0.63	0.55	2.43	4.56	2.03
	1-3/4 45mm	076146 076311	F2B-SCMED-112 F2B-SCMED-45M	5.6 2.6	49.3	189.0	51.3	157.2	M16	16.0	14.0	61.7	115.8	51.6
211	1-15/16	076147	F2B-SCMED-115	6.7	2.22	8.63	2.28	7.25	5/8	0.67	0.68	2.71	5.25	2.27
	2 50mm	076148 076312	F2B-SCMED-200 F2B-SCMED-50M	6.5 2.9	56.4	219.2	57.9	184.2	M16	17.0	17.3	68.8	133.4	57.7
212	2-3/16	076149	F2B-SCMED-203	7.4	2.31	9.81	2.38	7.96	5/8	0.81	0.66	2.97	5.50	2.47
	2-1/4 55mm	@ @	F2B-SCMED-204 F2B-SCMED-55M	7.2 3.2	58.7	249.2	60.5	202.1	M22	20.6	16.8	75.4	139.7	62.7

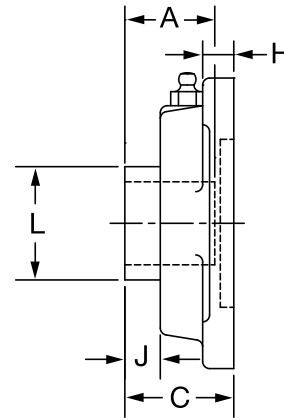
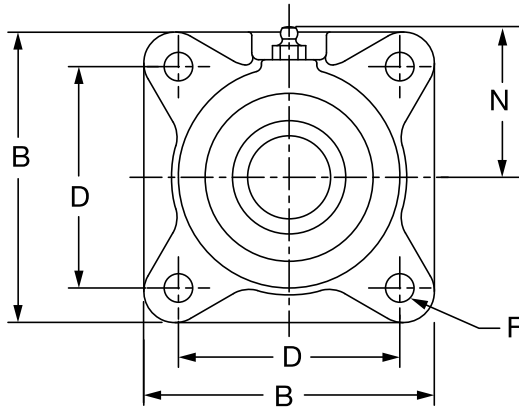
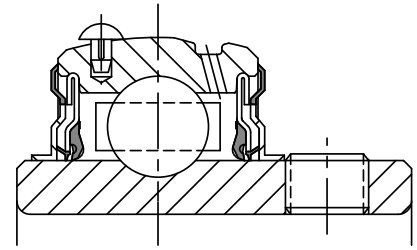
@ Assembled to order

FEATURES/BENEFITS PAGE B3-2	EASY SELECTION PAGE B3-3	SELECTION PAGE B3-5	ACCESSORIES PAGE B3-41
--------------------------------	-----------------------------	------------------------	---------------------------



SELECTION/DIMENSIONS

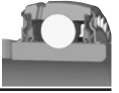
Extreme Duty Setscrew Ball Bearings SCED NORMAL DUTY 4-BOLT FLANGE BEARINGS



Series	Shaft Size	Standard Part No.	Description	Weights lbs kgs	A	B	C	D	F	H	J	L	N
204	1/2	@	F4B-SCED-008L	1.8	1.23	3.38	1.34	2.5	3/8	0.44	0.36	1.12	1.94
	5/8	@	F4B-SCED-010L	1.7									
	3/4	076046	F4B-SCED-012	1.6									
	13/16	@	F4B-SCED-013	1.5									
	20mm	076246	<i>F4B-SCED-20M</i>	0.8	31.2	85.9	34.0	63.5	M10	11.2	9.1	28.4	49.3
205	7/8	@	F4B-SCED-014	2.0	1.34	3.75	1.37	2.75	7/16	0.50	0.42	1.32	2.06
	15/16	@	F4B-SCED-015	1.9									
	1	076047	F4B-SCED-100	1.8									
	25mm	076247	<i>F4B-SCED-25M</i>	0.9	34.0	95.3	34.8	69.9	M10	12.7	10.7	33.5	52.3
206	1-1/16	@	F4B-SCED-101	2.9	1.52	4.25	1.56	3.25	7/16	0.50	0.49	1.57	2.19
	1-1/8	076048	F4B-SCED-102	2.8									
	1-3/16	076049	F4B-SCED-103	2.7									
	1-1/4	076050	F4B-SCED-104S	2.6									
	30mm	076248	<i>F4B-SCED-30M</i>	1.3	38.6	108.0	39.6	82.6	M10	12.7	12.4	39.9	55.6
207	1-1/4	076051	F4B-SCED-104	4.0	1.71	4.75	1.75	3.63	1/2	0.56	0.53	1.84	2.44
	1-5/16	@	F4B-SCED-105	3.9									
	1-3/8	076052	F4B-SCED-106	3.8									
	1-7/16	076053	F4B-SCED-107	3.7									
	35mm	076249	<i>F4B-SCED-35M</i>	1.7	43.4	120.7	44.5	92.1	M12	14.2	13.5	46.7	62.0
208	1-1/2	076054	F4B-SCED-108	4.8	1.94	5.13	1.98	4.00	1/2	0.56	0.63	2.05	2.38
	1-5/8	@	F4B-SCED-110	4.7									
	40mm	076250	<i>F4B-SCED-40M</i>	2.1	49.3	130.3	50.0	101.6	M12	14.2	16.0	52.1	60.5

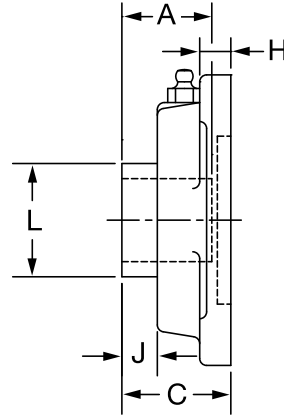
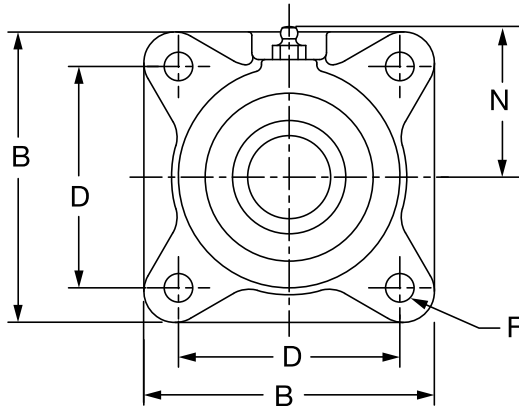
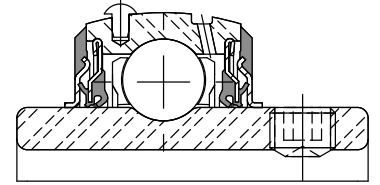
@ Assembled to order

FEATURES/BENEFITS PAGE B3-2	EASY SELECTION PAGE B3-3	SELECTION PAGE B3-5	ACCESSORIES PAGE B3-41
--------------------------------	-----------------------------	------------------------	---------------------------



SELECTION/DIMENSIONS

Extreme Duty Setscrew Ball Bearings SCED NORMAL DUTY 4-BOLT FLANGE BEARINGS

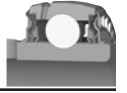


Series	Shaft Size	Standard Part No.	Description	Weight lbs. kg.	A	B	C	D	F	H	J	L	N
209	1-5/8	075775	F4B-SCED-110L	6.1	1.94	5.38	1.99	4.13	1/2	0.63	0.59	2.22	2.75
	1-11/16	076055	F4B-SCED-111	6.0									
	1-3/4	076056	F4B-SCED-112	5.9									
	45mm	076251	F4B-SCED-45M	2.7	49.3	136.7	50.5	104.8	M14	16.0	15.0	56.4	69.9
210	1-15/16	076057	F4B-SCED-115	6.7	1.94	5.63	2.02	4.38	1/2	0.63	0.55	2.43	2.88
	2	076058	F4B-SCED-200	6.6									
	50mm	076252	F4B-SCED-50M	3.0	49.3	143.0	51.3	111.1	M16	16.0	14.0	61.7	73.2
211	2	076157	F4B-SCMED-200	9.3	2.22	6.50	2.28	5.13	5/8	0.69	0.68	2.71	3.25
	2-3/16	076059	F4B-SCED-203	9.0									
	2-1/4	@	F4B-SCED-204	8.9									
	55mm	076253	F4B-SCED-55M	4.1	56.4	165.1	57.9	130.2	M16	17.5	17.3	68.8	82.6
212	2-1/4	076649	F4B-SCMED-204	11.1	2.31	6.88	2.38	5.63	5/8	0.69	0.66	2.97	3.50
	2-7/16	076060	F4B-SCED-207	10.6									
	60mm	076254	F4B-SCED-60M	6.0	58.7	174.8	60.5	142.9	M16	17.5	16.8	75.4	88.9
214	2-1/2	076160	F4B-SCMED-208	16.0	2.54	7.38	2.78	5.88	5/8	0.69	0.60	3.31	3.69
	2-11/16	076061	F4B-SCED-211	15.4									
	70mm	076255	F4B-SCED-70M	6.9	64.5	187.5	70.6	149.2	M16	17.5	15.2	84.1	93.7
215	2-15/16	076062	F4B-SCED-215	17.6	2.33	7.75	2.88	6.00	3/4	1.00	0.63	3.62	3.88
	75mm	076256	F4B-SCED-75M	8.0	59.2	196.9	73.2	152.4	M18	25.4	16.0	91.9	98.6

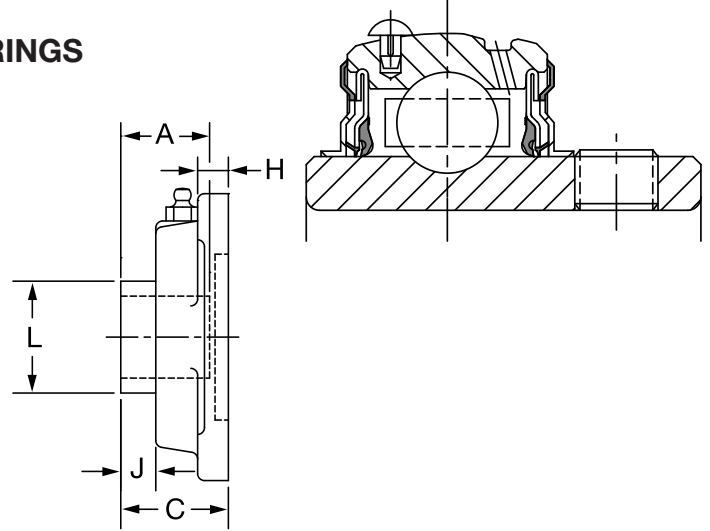
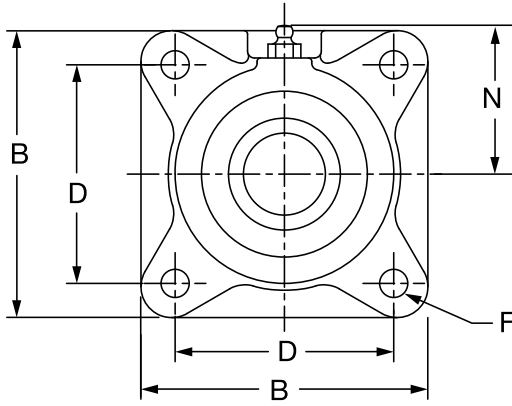
@ Assembled to order

FEATURES/BENEFITS PAGE B3-2	EASY SELECTION PAGE B3-3	SELECTION PAGE B3-5	ACCESSORIES PAGE B3-41
--------------------------------	-----------------------------	------------------------	---------------------------

SELECTION/DIMENSIONS



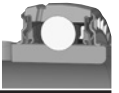
Extreme Duty Setscrew Ball Bearings SCMED MEDIUM DUTY 4-BOLT FLANGE BEARINGS



Series	Shaft Size	Standard Part No.	Description	Weight lbs kg	A	B	C	D	F	H	J	L	N
206	1	076150	F4B-SCMED-100	3.0	1.52	4.25	1.56	3.25	7/16	0.50	0.49	1.57	2.19
	25mm	076313	F4B-SCMED-25M	1.3	38.6	108.0	39.6	82.6	M10	12.7	12.4	39.9	55.6
207	1-3/16	076151	F4B-SCMED-103	4.1	1.71	4.75	1.75	3.63	1/2	0.56	0.53	1.84	2.44
	1-1/4	076051	F4B-SCMED-104	4.0									
	30mm	076314	F4B-SCMED-30M	1.4	43.4	120.7	44.5	92.1	M12	14.2	13.5	46.7	62.0
208	1-7/16	076152	F4B-SCMED-107	5.0	1.94	5.13	1.98	4.00	1/2	0.56	0.63	2.05	2.38
	35mm	076315	F4B-SCMED-35M	2.1	49.3	130.3	50.3	101.6	M12	14.2	16.0	52.1	60.5
209	1-1/2	076153	F4B-SCMED-108	6.1	1.94	5.38	1.99	4.13	1/2	0.63	0.59	2.22	2.75
	1-5/8	@	F4B-SCMED110L	6.1									
	40mm	076316	F4B-SCMED-40M	2.7	49.3	136.7	50.5	104.8	M14	16.0	15.0	56.4	69.9
210	1-11/16	076154	F4B-SCMED-111	7.1	1.94	5.63	2.02	4.38	1/2	0.63	0.55	2.43	2.88
	1-3/4	076155	F4B-SCMED-112	6.9									
	45mm	076317	F4B-SCMED-45M	3.0	49.3	143.0	51.3	111.1	M16	16.0	14.0	61.7	73.2
211	1-15/16	076156	F4B-SCMED-115	9.5	2.22	6.50	2.28	5.13	5/8	0.69	0.68	2.71	3.25
	2	076157	F4B-SCMED-200	9.3									
	50mm	076318	F4B-SCMED-50M	4.1	56.4	165.1	57.9	130.2	M16	17.5	17.3	68.8	82.6
212	2-3/16	076158	F4B-SCMED-203	11.3	2.31	6.88	2.38	5.63	5/8	0.69	0.66	2.97	3.50
	2-1/4	076649	F4B-SCMED-204	11.1									
	55mm	076319	F4B-SCMED-55M	6.0	58.7	174.8	60.5	142.9	M16	17.5	16.8	75.4	88.9
214	2-7/16	076159	F4B-SCMED-207	16.2	2.54	7.38	2.78	5.88	5/8	0.69	0.60	3.31	3.69
	2-1/2	076160	F4B-SCMED-208	16.0									
	65mm	076320	F4B-SCMED-65M	7.3	64.5	187.5	70.6	149.2	M16	17.5	15.2	84.1	93.7
215	2-11/16	076161	F4B-SCMED-211	18.3	2.33	7.75	2.88	6.00	3/4	1.00	0.63	3.62	3.88
	70mm	076321	F4B-SCMED-70M	8.0	59.2	196.9	73.2	152.4	M18	25.4	16.0	91.9	98.6
216	2-15/16	076162	F4B-SCMED-215	21.5	2.38	7.75	3.09	6.00	3/4	0.88	0.59	3.83	4.09
	3	076163	F4B-SCMED-300	21.2									
	75mm	076322	F4B-SCMED-75M	9.4	60.5	196.9	78.5	152.4	M18	22.4	15.0	97.3	103.9
218	3-7/16	076164	F4B-SCMED-307	28.0	2.56	8.44	3.38	6.75	3/4	1.00	0.60	4.35	4.63
	3-1/2	076165	F4B-SCMED-308	27.4									
	85mm	076323	F4B-SCMED-85M	12.2	65.0	214.4	85.9	171.5	M18	25.4	15.2	110.5	117.6

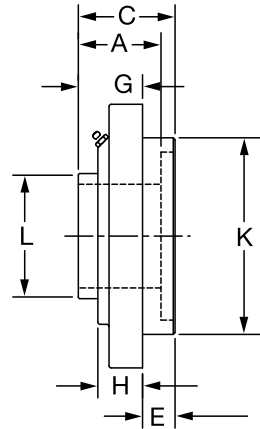
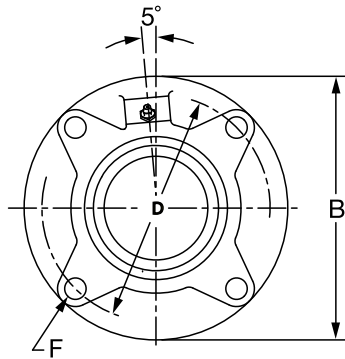
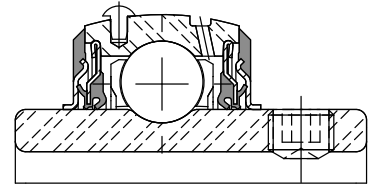
@ Assembled to order

FEATURES/BENEFITS PAGE B3-2	EASY SELECTION PAGE B3-3	SELECTION PAGE B3-5	ACCESSORIES PAGE B3-41
--------------------------------	-----------------------------	------------------------	---------------------------



SELECTION/DIMENSIONS

Extreme Duty Setscrew Ball Bearings SCED NORMAL DUTY PILOTED FLANGE BEARINGS

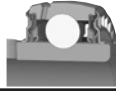


Series	Shaft Size	Part No.	Description	Weight lbs kg	A	B	C	D	E	F Bolt Dia.	G	H	K*	L
206	1-1/16	@	FC-SCED-101	3.2	1.52	4.38	1.53	3.63	0.25	3/8	1.28	0.81	3.000/2.998	1.57
	1-1/8	@	FC-SCED-102	3.1										
	1-3/16	076063	FC-SCED-103	3.0										
	1-1/4	076064	FC-SCED-104S	2.9										
	30mm	076257	FC-SCED-30M	1.3	38.6	111.3	38.9	92.2	6.4	M10	32.5	20.6	76.20/76.15	39.9
207	1-1/4	076065	FC-SCED-104	4.2	1.71	5.00	1.78	4.13	0.38	3/8	1.40	0.84	3.375/3.373	1.84
	1-5/16	@	FC-SCED-105	4.1										
	1-3/8	076066	FC-SCED-106	4.0										
	1-7/16	076067	FC-SCED-107	3.9										
	35mm	076258	FC-SCED-35M	1.8	43.4	127.0	45.2	104.9	9.7	M10	35.6	21.3	85.73/85.67	46.7
208	1-1/2	076068	FC-SCED-108	4.6	1.94	5.25	1.98	4.38	0.44	7/16	1.54	0.89	3.625/3.623	2.05
	1-5/8	@	FC-SCED-110	4.5										
	40mm	076259	FC-SCED-40M	2.0	49.3	133.4	50.3	111.3	11.2	M12	39.1	22.6	92.08/92.02	52.1
209	1-5/8	@	FC-SCED-110L	5.6	1.94	5.75	1.95	4.75	0.44	1/2	1.51	0.91	4.000/3.998	2.22
	1-11/16	076069	FC-SCED-111	5.5										
	1-3/4	076070	FC-SCED-112	5.4										
	45mm	076260	FC-SCED-45M	2.4	49.3	146.1	49.5	120.7	11.2	M12	38.4	23.1	101.60/101.55	56.4
210	1-15/16	076071	FC-SCED-115	6.4	1.94	6.13	1.98	5.13	0.47	1/2	1.51	0.92	4.250/4.248	2.43
	2	076072	FC-SCED-200	6.3										
	50mm	076261	FC-SCED-50M	2.9	49.3	155.7	50.3	130.3	11.9	M12	38.4	23.4	107.95/107.90	61.7
211	2	076173	FC-SCMED-200	7.3	2.22	6.38	2.35	5.38	0.63	1/2	1.72	1.00	4.500/4.498	2.71
	2-3/16	076073	FC-SCED-203	7.2										
	2-1/4	@	FC-SCED-204	7.1										
	55mm	076262	FC-SCED-55M	3.3	56.4	162.1	59.7	136.7	16.0	M12	43.7	25.4	114.30/114.25	68.8
212	2-1/4	@	FC-SCMED-204	9.6	2.31	7.13	2.54	6.00	0.88	1/2	1.67	1.00	5.000/4.998	2.97
	2-7/16	076074	FC-SCED-207	9.5										
	60mm	076263	FC-SCED-60M	4.3	58.7	181.1	64.5	152.4	22.4	M12	42.4	25.4	127.00/126.95	75.4
214	2-1/2	076176	FC-SCMED-208	13.0	2.54	7.63	2.80	6.50	1.13	1/2	1.67	1.06	5.500/5.498	3.31
	2-11/16	076075	FC-SCED-211	12.9										
	70mm	076264	FC-SCED-70M	5.5	64.5	193.8	71.1	165.1	28.7	M12	42.4	26.9	139.70/139.65	84.1

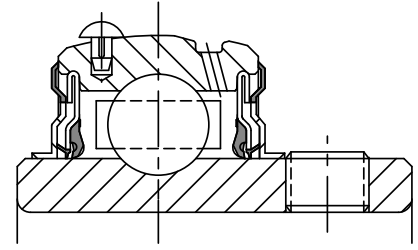
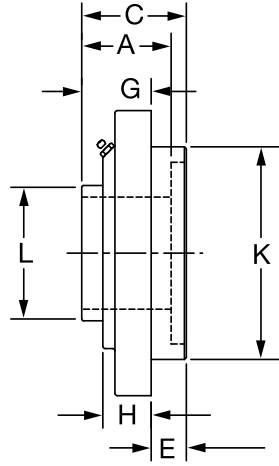
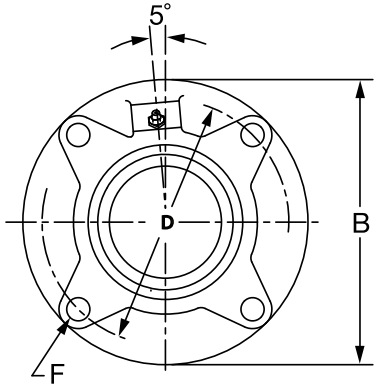
@ Assembled to order

FEATURES/BENEFITS PAGE B3-2	EASY SELECTION PAGE B3-3	SELECTION PAGE B3-5	ACCESSORIES PAGE B3-41
--------------------------------	-----------------------------	------------------------	---------------------------

SELECTION/DIMENSIONS



Extreme Duty Setscrew Ball Bearings SCMED MEDIUM DUTY PILOTED FLANGE BEARINGS



Series	Shaft Size	Part No.	Description	Weight lbs kg	A	B	C	D	E	F Bolt Dia.	G	H	K	L
206	1	076166	FC-SCMED-100	3.3	1.52	4.38	1.53	3.63	0.25	3/8	1.28	0.81	3.000/2.998	1.57
	25mm	076324	FC-SCMED-25M	1.4	38.6	111.3	38.9	92.2	6.4	M10	32.5	20.6	76.20/76.15	39.9
207	1-3/16	076167	FC-SCMED-103	4.2	1.71	5.00	1.78	4.13	0.38	3/8	1.40	0.84	3.375/3.373	1.84
	1-1/4 30mm	076065 076325	FC-SCMED-104 FC-SCMED-30M	4.2 1.9	43.4	127.0	45.2	104.9	9.7	M10	35.6	21.3	85.73/85.67	46.7
208	1-7/16	076168	FC-SCMED-107	4.8	1.94	5.25	1.98	4.38	0.44	7/16	1.54	0.89	3.625/3.623	2.05
	35mm	076326	FC-SCMED-35M	2.1	49.3	133.4	50.3	111.3	11.2	M12	39.1	22.6	92.08/92.02	52.1
209	1-1/2	076169	FC-SCMED-108	5.6	1.94	5.75	1.95	4.75	0.44	1/2	1.51	0.91	4.000/3.998	2.22
	1-5/8 40mm	@ 076327	FC-SCMED-110L FC-SCMED-40M	5.6 2.5	49.3	146.1	49.5	120.7	11.2	M12	38.4	23.1	101.60/101.55	56.4
210	1-11/16	076170	FC-SCMED-111	6.4	1.94	6.13	1.98	5.13	0.47	1/2	1.51	0.92	4.250/4.248	2.43
	1-3/4	076171	FC-SCMED-112	6.3										
	45mm	076328	FC-SCMED-45M	2.9	49.3	155.7	50.3	130.3	11.9	M12	38.4	23.4	107.95/107.90	61.7
211	1-15/16	076172	FC-SCMED-115	7.6	2.22	6.38	2.35	5.38	0.63	1/2	1.72	1.00	4.500/4.498	2.71
	2	076173	FC-SCMED-200	7.4										
	50mm	076329	FC-SCMED-50M	3.4	56.4	162.1	59.7	136.7	16.0	M12	43.7	25.4	114.30/114.25	68.8
212	2-3/16	076174	FC-SCMED-203	9.5	2.31	7.13	2.54	6.00	0.88	1/2	1.67	1.00	5.000/4.998	2.97
	2-1/4	@	FC-SCMED-204	9.8										
	55mm	076330	FC-SCMED-55M	4.4	58.7	181.1	64.5	152.4	22.4	M12	42.4	25.4	127.00/126.95	75.4
214	2-7/16	076175	FC-SCMED-207	13.2	2.54	7.63	2.80	6.50	1.13	1/2	1.67	1.06	5.500/5.498	3.31
	2-1/2	076176	FC-SCMED-208	13.0										
	65mm	076331	FC-SCMED-65M	5.9	64.5	193.8	71.1	165.1	28.7	M12	42.4	26.9	139.70/139.65	84.1
216	2-15/16	076177	FC-SCMED-215	18.8	2.38	8.75	3.02	7.50	1.25	5/8	1.77	1.19	6.375/6.373	3.83
	3	076178	FC-SCMED-300	18.6										
	75mm	076332	FC-SCMED-75M	8.5	60.5	222.3	76.7	190.5	31.8	M16	45.0	30.2	161.93/161.87	97.3
218	3-7/16	076179	FC-SCMED-307	28.7	2.56	10.25	3.33	8.63	1.13	3/4	2.21	1.63	7.375/7.373	4.35
	3-1/2	076180	FC-SCMED-308	28.5										
	85mm	076333	FC-SCMED-85M	13.5	65.0	260.4	84.6	219.1	28.6	M18	56.1	41.4	187.33/187.27	110.5

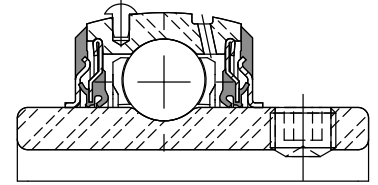
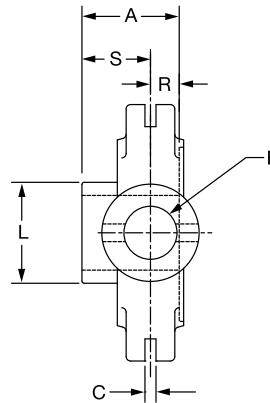
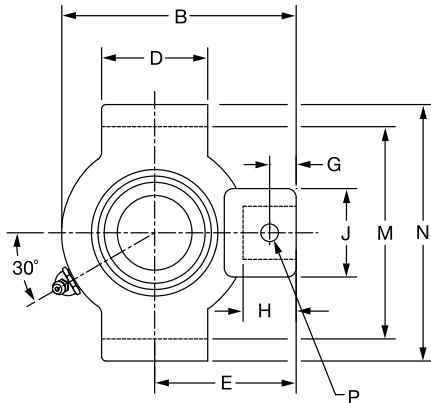
@ Assembled to order

FEATURES/BENEFITS PAGE B3-2	EASY SELECTION PAGE B3-3	SELECTION PAGE B3-5	ACCESSORIES PAGE B3-41
--------------------------------	-----------------------------	------------------------	---------------------------



SELECTION/DIMENSIONS

Extreme Duty Setscrew Ball Bearings SCED NORMAL DUTY NARROW SLOT TAKE-UP BEARINGS



Series	Shaft Size	Part No.	Description	Weight lbs. kgs.	Take-Up Frame No. Ref.	A	B	C	D	E	F Screw Dia	G
204	1/2	@	NSTU-SCED-008	1.6	NS210	1.23	3.50	0.250	1.50	2.19	3/4	0.44
	5/8	@	NSTU-SCED-010	1.5								
	3/4	076076	NSTU-SCED-012	1.4								
	20mm	076265	NSTU-SCED-20M	0.8								
205	7/8	@	NSTU-SCED-014	1.7	NS210	1.34	3.56	0.250	1.50	2.19	3/4	0.44
	15/16	@	NSTU-SCED-015	1.6								
	1	076077	NSTU-SCED-100	1.5								
	25mm	076266	NSTU-SCED-25M	0.7								
206	1-1/16	@	NSTU-SCED-101	2.9	NS308	1.52	4.31	0.250	1.50	2.69	3/4	0.44
	1-1/8	076078	NSTU-SCED-102	2.8								
	1-3/16	076079	NSTU-SCED-103	2.7								
	1-1/4	076080	NSTU-SCED-104S	2.6								
207	30mm	076267	NSTU-SCED-30M	1.2	NS308	38.6	109.5	6.35	38.1	68.3	19.1	11.2
	1-1/4	076081	NSTU-SCED-104	2.8								
	1-5/16	@	NSTU-SCED-105	2.7								
	1-3/8	076082	NSTU-SCED-106	2.6								
	1-7/16	076083	NSTU-SCED-107	2.5								
35mm	076268	NSTU-SCED-35M	1.2	43.4	114.3	6.35	63.5	68.3	19.1	12.7		

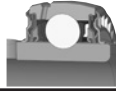
@ Assembled to order

See B15-9 for Take-Up Frames

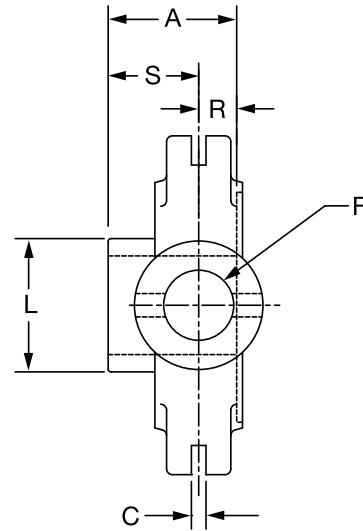
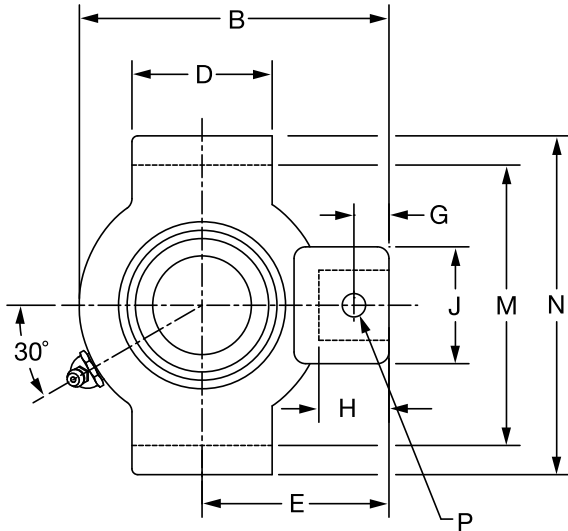
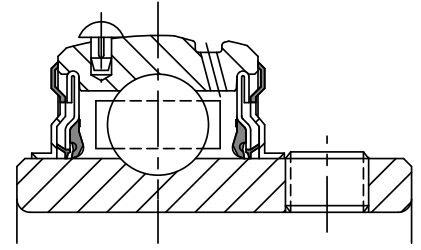
Series	Shaft Size	H	J	L	M	N	P Pin Dia	R	S
204	1/2	0.88	1.38	1.12	2.635/2.605	3.13	0.32	0.50	0.73
	5/8								
	3/4								
	20mm	22.4	35.1	28.4	66.93/66.17	79.5	8.1	12.7	18.5
205	7/8	0.88	1.38	1.32	2.635/2.605	3.13	0.32	0.56	0.78
	15/16								
	1	22.4	35.1	33.5	66.93/66.17	79.5	8.1	14.2	19.8
206	1-1/16	0.88	1.38	1.57	2.635/2.605	3.13	0.32	0.58	0.94
	1-1/8								
	1-3/16								
	1-1/4	22.4	35.1	39.9	66.93/66.17	79.5	8.1	14.7	23.9
207	30mm	0.94	1.38	1.84	3.510/3.480	4.13	0.32	0.67	1.04
	1-1/4								
	1-5/16								
	1-3/8								
207	1-7/16								
	35mm	23.9	35.1	46.7	89.15/88.39	104.9	8.1	17.0	26.4

FEATURES/BENEFITS PAGE B3-2	EASY SELECTION PAGE B3-3	SELECTION PAGE B3-5	ACCESSORIES PAGE B3-41
--------------------------------	-----------------------------	------------------------	---------------------------

SELECTION/DIMENSIONS



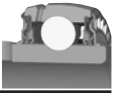
Extreme Duty Setscrew Ball Bearings SCED NORMAL DUTY NARROW SLOT TAKE-UP BEARINGS



Series	Shaft Size	Standard Part No.	Description
208	1-1/2	076084	NSTU-SCED-108
	1-5/8	@	NSTU-SCED-110
	40mm	076269	NSTU-SCED-40M
209	1-5/8	@	NSTU-SCED-110L
	1-11/16	076085	NSTU-SCED-111
	1-3/4	076086	NSTU-SCED-112
210	45mm	076270	NSTU-SCED-45M
	1-15/16	076087	NSTU-SCED-115
	2	076088	NSTU-SCED-200
211	50mm	076271	NSTU-SCED-50M
	2	076188	NSTU-SCMED-200
	2-3/16	076089	NSTU-SCED-203
212	2-1/4	077462	NSTU-SCED-204
	55mm	076272	NSTU-SCED-55M
	2-1/4	@	NSTU-SCMED-204
212	2-7/16	076090	NSTU-SCED-207
	60mm	076273	NSTU-SCED-60M

@ Assembled to order

See B15-9 for Take-Up Frames



SELECTION/DIMENSIONS

Extreme Duty Setscrew Ball Bearings SCED NORMAL DUTY NARROW SLOT TAKE-UP BEARINGS

Bearing Reference Guide

ULTRA KLEEN

E-Z KLEEN

Extreme Duty

Setscrew Ball Bearing

GRIP TIGHT

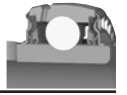
D-LOK Ball Bearing

Series	Shaft Size	Weight lbs. kgs.	Take-Up Frame No. Ref.	A	B	C	D	E	F Screw Dia	G
208	1-1/2	4.7	NS400	1.94	5.38	0.313	3.00	3.25	7/8	0.66
	1-5/8	4.6		1.94	5.44	0.313	3.00	3.25	7/8	0.72
	40mm	2.1		49.3	136.7	7.95	76.2	82.6	22.2	16.8
209	1-5/8	4.9	NS400	1.94	5.44	0.313	3.00	3.25	7/8	0.72
	1-11/16	4.8		1.94	5.50	0.313	3.00	3.25	7/8	0.59
	1-3/4	4.7		49.3	138.2	7.95	76.2	82.6	22.2	18.3
210	1-15/16	4.9	NS400	1.94	5.50	0.313	3.00	3.25	7/8	0.59
	2	4.8		49.3	139.7	7.95	76.2	82.6	22.2	15.0
	50mm	2.2		2.22	6.13	0.313	3.50	3.63	1	0.69
211	2	6.8	NS407	2.22	6.13	0.313	3.50	3.63	1	0.69
	2-3/16	6.6		2.31	6.69	0.313	3.75	3.88	1	0.69
	2-1/4	6.5		56.4	155.7	7.95	88.9	92.2	25.4	17.5
212	55mm	3.0	NS415	2.31	6.69	0.313	3.75	3.88	1	0.69
	2-1/4	8.7		58.7	169.9	7.95	95.3	98.6	25.4	17.5
	2-7/16	8.4								
	60mm	4.9								

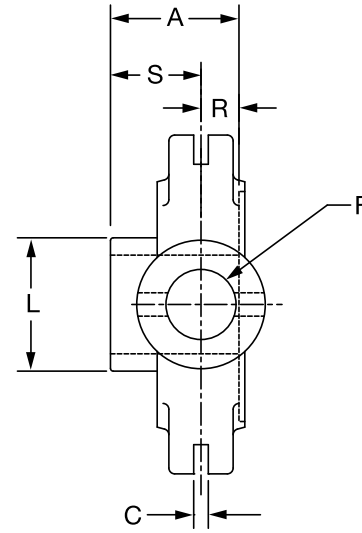
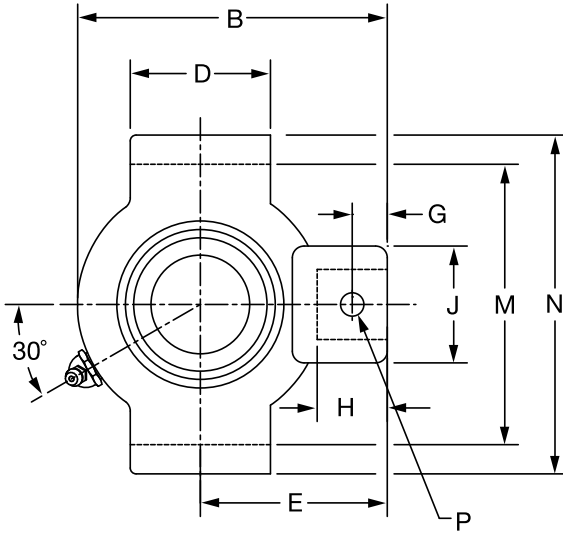
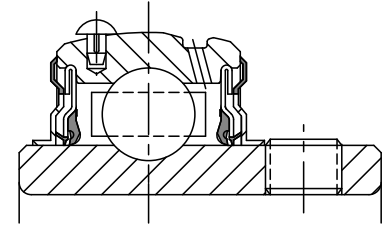
Series	Shaft Size	H	J	L	M	N	P Pin Dia	R	S
208	1-1/2	1.16	1.63	2.05	4.015/3.985	4.75	0.38	0.75	1.19
	1-5/8								
	40mm	29.5	41.4	52.1	101.98/101.22	120.7	9.7	19.1	30.2
209	1-5/8	1.22	1.63	2.22	4.015/3.985	4.75	0.38	0.75	1.19
	1-11/16								
	1-3/4								
210	45mm	31.0	41.4	56.4	101.98/101.22	120.7	9.7	19.1	30.2
	1-15/16	1.09	1.63	2.43	4.015/3.985	4.75	0.38	0.75	1.19
	2								
211	50mm	27.7	41.4	61.7	101.98/101.22	120.7	9.7	19.1	30.2
	2	1.28	1.75	2.71	4.448/4.418	5.38	0.44	0.87	1.35
	2-3/16								
212	2-1/4								
	2-1/4	1.28	1.63	2.97	4.947/4.917	5.75	0.44	0.90	1.41
	2-7/16								
	60mm	32.5	41.4	75.4	125.65/124.89	146.1	11.2	22.9	35.8

FEATURES/BENEFITS PAGE B3-2	EASY SELECTION PAGE B3-3	SELECTION PAGE B3-5	ACCESSORIES PAGE B3-41
--------------------------------	-----------------------------	------------------------	---------------------------

SELECTION/DIMENSIONS



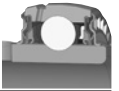
Extreme Duty Setscrew Ball Bearings SCMED MEDIUM DUTY NARROW SLOT TAKE-UP BEARINGS



Series	Shaft Size	Part No.	Description
206	1	076181	NSTU-SCMED-100
	25mm	076410	NSTU-SCMED-25M
207	1-3/16	076182	NSTU-SCMED-103
	1-1/4	076081	NSTU-SCMED-104
208	30mm	076411	NSTU-SCMED-30M
	1-7/16	076183	NSTU-SCMED-107
209	35mm	076412	NSTU-SCMED-35M
	1-1/2	076184	NSTU-SCMED-108
210	1-5/8	@	NSTU-SCMED-110L
	40mm	076413	NSTU-SCMED-40M
211	1-11/16	076185	NSTU-SCMED-111
	1-3/4	076186	NSTU-SCMED-112
212	45mm	076414	NSTU-SCMED-45M
	1-15/16	076187	NSTU-SCMED-115
211	2	076188	NSTU-SCMED-200
	50mm	076415	NSTU-SCMED-50M
212	2-3/16	076189	NSTU-SCMED-203
	2-1/4	@	NSTU-SCMED-204
	55mm	076416	NSTU-SCMED-55M

@ Assembled to order

FEATURES/BENEFITS PAGE B3-2	EASY SELECTION PAGE B3-3	SELECTION PAGE B3-5	ACCESSORIES PAGE B3-41
--------------------------------	-----------------------------	------------------------	---------------------------



SELECTION/DIMENSIONS

Extreme Duty Setscrew Ball Bearings SCMED MEDIUM DUTY NARROW SLOT TAKE-UP BEARINGS

Bearing Reference Guide

ULTRA KLEEN

E-Z KLEEN

Extreme Duty

Setscrew Ball Bearing

GRIP TIGHT

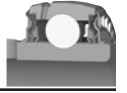
D-LOK Ball Bearing

Series	Shaft Size	Weight lbs. kgs.	Take-Up Frame No. Ref.	A	B	C	D	E	F Screw Dia.	G
206	1	3.0	NS308	1.52	4.31	0.250	1.50	2.69	3/4	0.44
	25mm	1.2		38.6	109.5	6.35	38.1	68.3	19.1	11.2
207	1-3/16	2.9	NS308	1.71	4.50	0.250	2.50	2.69	3/4	0.50
	1-1/4	2.8		43.4	114.3	6.35	63.5	68.3	19.1	12.7
	30mm	1.3		49.3	136.7	7.95	76.2	82.6	22.2	16.8
208	1-7/16	4.7	NS400	1.94	5.38	0.313	3.00	3.25	7/8	0.66
	35mm	2.2		49.3	136.7	7.95	76.2	82.6	22.2	16.8
209	1-1/2	5.0	NS400	1.94	5.44	0.313	3.00	3.25	7/8	0.72
	1-5/8	4.9		49.3	138.2	7.95	76.2	82.6	22.2	18.3
	40mm	2.3		49.3	138.2	7.95	76.2	82.6	22.2	18.3
210	1-11/16	5.3	NS400	1.94	5.50	0.313	3.00	3.25	7/8	0.59
	1-3/4	5.2		49.3	139.7	7.95	76.2	82.6	22.2	15.0
	45mm	2.4		49.3	139.7	7.95	76.2	82.6	22.2	15.0
211	1-15/16	7.0	NS407	2.22	6.13	0.313	3.50	3.63	1	0.69
	2	6.8		56.4	155.7	7.95	88.9	92.2	25.4	17.5
	50mm	3.2		56.4	155.7	7.95	88.9	92.2	25.4	17.5
212	2-3/16	8.9	NS415	2.31	6.69	0.313	3.75	3.88	1	0.69
	2-1/4	8.7		58.7	169.9	7.95	95.3	98.6	25.4	17.5
	55mm	4.0		58.7	169.9	7.95	95.3	98.6	25.4	17.5

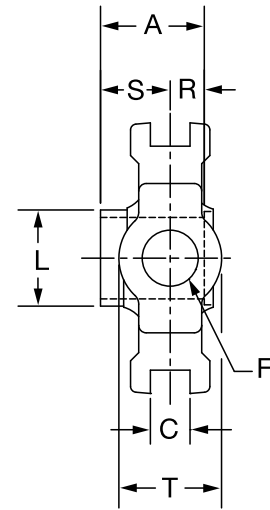
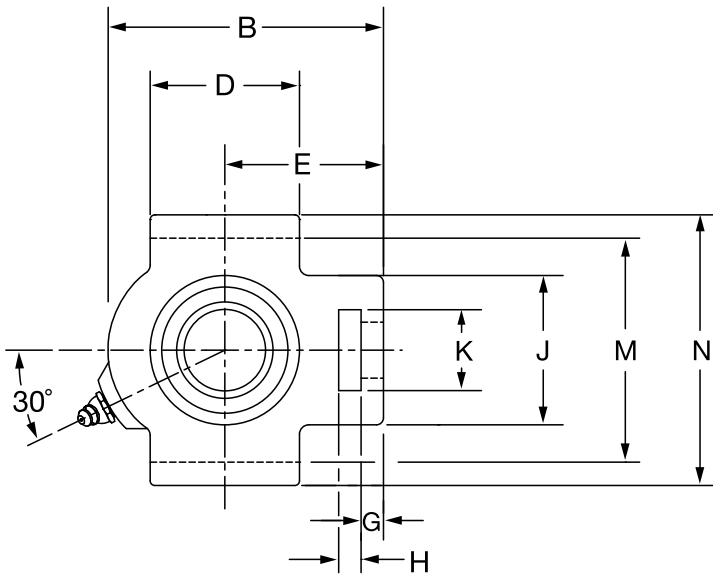
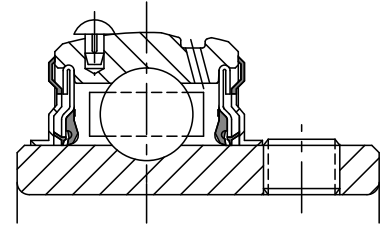
Series	Shaft Size	H	J	L	M	N	P Pin Dia.	R	S
206	1	0.88	1.38	1.57	2.635/2.605	3.13	0.32	0.58	0.94
	25mm	22.4	35.1	39.9	66.93/66.17	79.5	8.1	14.7	23.9
207	1-3/16	0.94	1.38	1.84	3.510/3.480	4.13	0.32	0.67	1.04
	1-1/4	23.9	35.1	46.7	89.15/88.39	104.9	8.1	17.0	26.4
	30mm	23.9	35.1	46.7	89.15/88.39	104.9	8.1	17.0	26.4
208	1-7/16	1.16	1.63	2.05	4.015/3.985	4.75	0.38	0.75	1.19
	35mm	29.5	41.4	52.1	101.98/101.22	120.7	9.7	19.1	30.2
209	1-1/2	1.22	1.63	2.22	4.015/3.985	4.75	0.38	0.75	1.19
	1-5/8	31.0	41.4	56.4	101.98/101.22	120.7	9.7	19.1	30.2
	40mm	31.0	41.4	56.4	101.98/101.22	120.7	9.7	19.1	30.2
210	1-11/16	1.09	1.63	2.43	4.015/3.985	4.75	0.38	0.75	1.19
	1-3/4	27.7	41.4	61.7	101.98/101.22	120.7	9.7	19.1	30.2
	45mm	27.7	41.4	61.7	101.98/101.22	120.7	9.7	19.1	30.2
211	1-15/16	1.28	1.75	2.71	4.448/4.418	5.38	0.44	0.87	1.35
	2	32.5	44.5	68.8	112.98/112.22	136.7	11.2	22.1	34.3
	50mm	32.5	44.5	68.8	112.98/112.22	136.7	11.2	22.1	34.3
212	2-3/16	1.28	1.63	2.97	4.947/4.917	5.75	0.44	0.90	1.41
	2-1/4	32.5	41.4	75.4	125.65/124.89	146.1	11.2	22.9	35.8
	55mm	32.5	41.4	75.4	125.65/124.89	146.1	11.2	22.9	35.8

FEATURES/BENEFITS PAGE B3-2	EASY SELECTION PAGE B3-3	SELECTION PAGE B3-5	ACCESSORIES PAGE B3-41
--------------------------------	-----------------------------	------------------------	---------------------------

SELECTION/DIMENSIONS



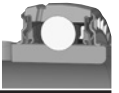
Extreme Duty Setscrew Ball Bearings SCED NORMAL DUTY WIDE SLOT TAKE-UP BEARINGS



Series	Shaft Size	Standard Part No.	Description
204	1/2	@	WSTU-SCED-008
	5/8	@	WSTU-SCED-010
	3/4	076091	WSTU-SCED-012
	20mm	076274	WSTU-SCED-20M
205	7/8	@	WSTU-SCED-014
	15/16	@	WSTU-SCED-015
	1	076092	WSTU-SCED-100
	25mm	076275	WSTU-SCED-25M
206	1-1/16	@	WSTU-SCED-101
	1-1/8	076093	WSTU-SCED-102
	1-3/16	076094	WSTU-SCED-103
	1-1/4	076095	WSTU-SCED-104S
	30mm	076276	WSTU-SCED-30M
207	1-1/4	076096	WSTU-SCED-104
	1-5/16	@	WSTU-SCED-105
	1-3/8	076097	WSTU-SCED-106
	1-7/16	076098	WSTU-SCED-107
	35mm	076277	WSTU-SCED-35M
208	1-1/2	076099	WSTU-SCED-108
	1-5/8	@	WSTU-SCED-110
	40mm	076278	WSTU-SCED-40M

@ Assembled to order

FEATURES/BENEFITS PAGE B3-2	EASY SELECTION PAGE B3-3	SELECTION PAGE B3-5	ACCESSORIES PAGE B3-41
--------------------------------	-----------------------------	------------------------	---------------------------



SELECTION/DIMENSIONS

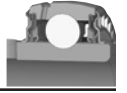
Extreme Duty Setscrew Ball Bearings SCED NORMAL DUTY WIDE SLOT TAKE-UP BEARINGS

Series	Shaft Size	Weight lbs kg	Take-Up Frame Size	A	B	C	D	E	F Screw Dia.	G	
204	1/2	2.1	WS300	1.23	3.69	0.531	2.00	2.38	5/8	0.38	
	5/8	2.0									
	3/4	1.9									
	20mm	0.9		31.2	93.7	13.49	50.8	60.5	15.9	9.7	
205	7/8	2.2	WS300	1.34	3.81	0.531	2.00	2.44	5/8	0.38	
	15/16	2.1									
	1	2.0									
	25mm	1.0		34.0	96.8	13.49	50.8	62.0	15.9	9.7	
206	1-1/16	3.1	WS308	1.52	4.38	0.531	2.25	2.75	3/4	0.38	
	1-1/8	3.0									
	1-3/16	2.9									
	1-1/4	2.8									
30mm	1.3	38.6	111.3	13.49	57.2	69.9	19.1	9.7			
207	1-1/4	3.8	WS308	1.71	4.87	0.531	2.50	3.06	3/4	0.50	
	1-5/16	3.7									
	1-3/8	3.6									
	1-7/16	3.5									
35mm	1.6	43.4	123.7	13.49	63.5	77.7	19.1	12.7			
208	1-1/2	6.1	WS400	1.94	5.69	0.688	3.25	3.50	1	0.63	
	1-5/8	6.0									
	40mm	2.8		49.3	144.5	17.48	82.6	88.9	25.4	16.0	

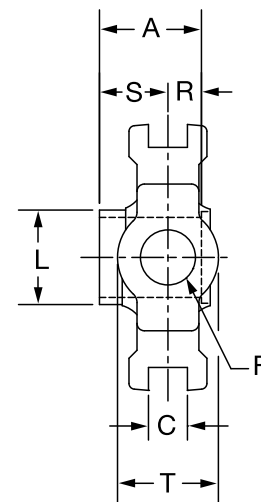
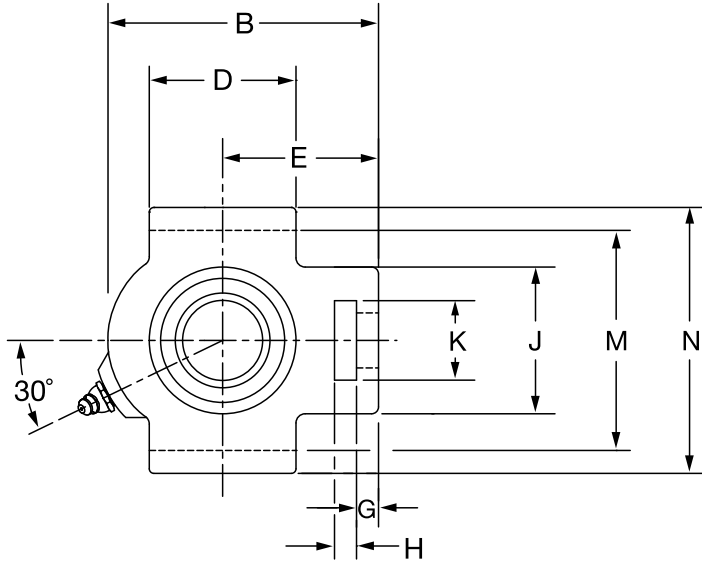
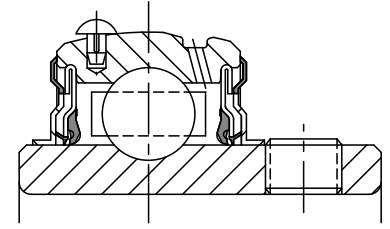
Series	Shaft Size	H	J	K	L	M	N	R	S	T
204	1/2	0.63	2.00	1.25	1.12	2.985/3.015	3.63	0.50	0.73	1.38
	5/8									
	3/4									
	20mm	16.0	50.8	31.8	28.4	75.82/76.58	92.2	12.7	18.5	35.1
205	7/8	0.63	2.00	1.31	1.32	2.985/3.015	3.63	0.56	0.78	1.38
	15/16									
	1									
	25mm	16.0	50.8	33.3	33.5	75.82/76.58	92.2	14.2	19.8	35.1
206	1-1/16	0.63	2.19	1.44	1.57	3.480/3.510	4.13	0.58	0.94	1.63
	1-1/8									
	1-3/16									
	1-1/4									
30mm	16.0	55.6	36.6	39.9	88.39/89.15	104.9	14.7	23.9	41.3	
207	1-1/4	0.63	2.50	1.44	1.84	3.480/3.510	4.13	0.67	1.04	1.63
	1-5/16									
	1-3/8									
	1-7/16									
35mm	16.0	63.5	36.6	46.7	88.39/89.15	104.9	17.0	26.4	41.3	
208	1-1/2	0.75	3.25	1.94	2.05	3.985/4.015	4.50	0.75	1.19	1.94
	1-5/8									
	40mm	19.1	82.6	49.3	52.1	101.22/101.98	114.3	19.1	30.2	49.3

FEATURES/BENEFITS PAGE B3-2	EASY SELECTION PAGE B3-3	SELECTION PAGE B3-5	ACCESSORIES PAGE B3-41
--------------------------------	-----------------------------	------------------------	---------------------------

SELECTION/DIMENSIONS



Extreme Duty Setscrew Ball Bearings SCED NORMAL DUTY WIDE SLOT TAKE-UP BEARINGS



Series	Shaft Size	Standard Part No.	Description
209	1-5/8	@	WSTU-SCED-110L
	1-11/16	076100	WSTU-SCED-111
	1-3/4	076101	WSTU-SCED-112
	1-13/16	@	WSTU-SCED-113
	45mm	076279	WSTU-SCED-45M
210	1-15/16	076102	WSTU-SCED-115
	2	076103	WSTU-SCED-200
	50mm	076280	WSTU-SCED-50M
211	2	076197	WSTU-SCMED-200
	2-3/16	076104	WSTU-SCED-203
	2-1/4	@	WSTU-SCED-204
	55mm	076281	WSTU-SCED-55M
212	2-1/4	@	WSTU-SCMED-204
	2-7/16	076105	WSTU-SCED-207
	60mm	076282	WSTU-SCED-60M
214	2-1/2	076200	WSTU-SCMED-208
	2-11/16	076106	WSTU-SCED-211
	70mm	076283	WSTU-SCED-70M
215	2-15/16	076107	WSTU-SCED-215
	75mm	076284	WSTU-SCED-75M

@ Assembled to order

FEATURES/BENEFITS PAGE B3-2	EASY SELECTION PAGE B3-3	SELECTION PAGE B3-5	ACCESSORIES PAGE B3-41
--------------------------------	-----------------------------	------------------------	---------------------------



SELECTION/DIMENSIONS

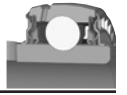
Extreme Duty Setscrew Ball Bearings SCED NORMAL DUTY WIDE SLOT TAKE-UP BEARINGS

Series	Shaft Size	Weight lbs kg	Take-Up Frame Size	A	B	C	D	E	F Screw Dia.	G	
209	1-5/8	6.1	WS400	1.94	5.63	0.688	3.25	3.44	1	0.63	
	1-11/16	6.0									
	1-3/4	5.9									
	1-13/16	5.8									
	45mm	2.7		49.3	143.0	17.48	82.6	87.4	25.4	16.0	
210	1-15/16	6.4	WS400	1.94	5.82	0.688	3.38	3.56	1	0.63	
	2	6.2									
	50mm	2.9		49.3	147.8	17.48	85.9	90.4	25.4	16.0	
211	2	10.1	WS502	2.22	6.69	1.063	3.75	4.19	1-1/4	0.75	
	2-3/16	10.0									
	2-1/4	9.8									
	55mm	4.5		56.4	169.9	27.00	95.3	106.4	31.8	19.1	
212	2-1/4	11.2	WS502	2.31	7.50	1.063	4.00	4.69	1-1/4	0.75	
	2-7/16	10.8									
	60mm	4.9		58.7	190.5	27.00	101.6	119.1	31.8	19.1	
214	2-1/2	18.0	WS515	2.54	8.56	1.063	4.75	5.38	1-1/2	0.81	
	2-11/16	17.8									
	70mm	8.0		64.5	217.4	27.0	120.7	136.7	38.1	20.6	
215	2-15/16	18.9	WS515	2.33	9.13	1.063	4.75	5.50	1-1/2	0.81	
	75mm	8.6									
				59.2	231.9	27.00	120.7	139.7	38.1	20.6	

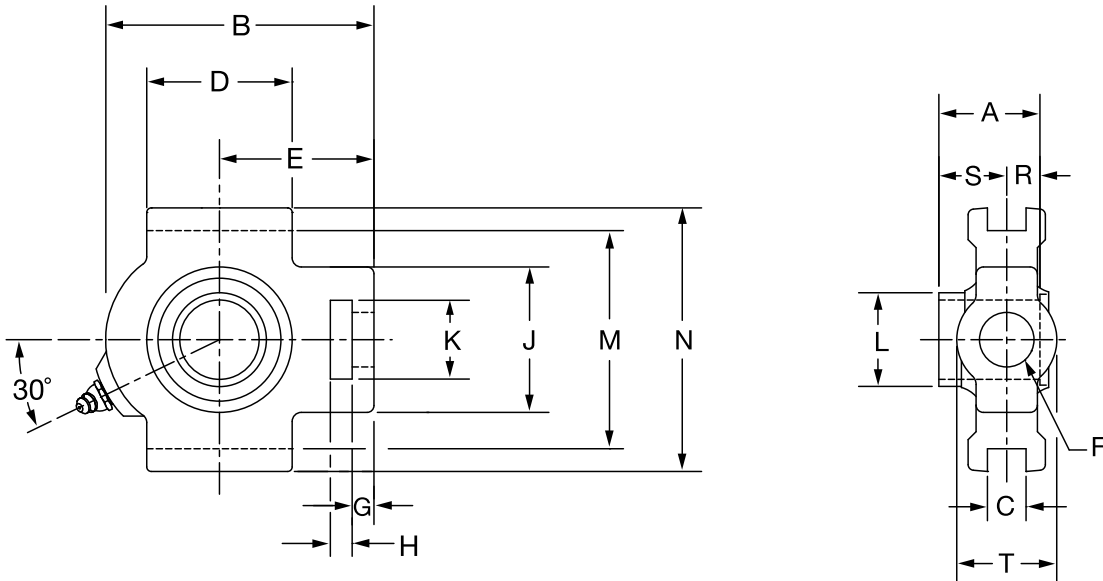
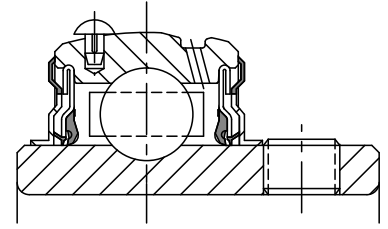
Series	Shaft Size	H	J	K	L	M	N	R	S	T
209	1-5/8	0.75	3.25	1.94	2.22	3.985/4.015	4.75	0.75	1.19	1.94
	1-11/16									
	1-3/4									
	1-13/16									
	45mm	19.1	82.6	49.3	56.4	101.22/101.98	120.7	19.1	30.2	49.3
210	1-15/16	0.75	3.25	1.94	2.43	3.985/4.015	4.75	0.75	1.19	1.94
	2									
	50mm	19.1	82.6	49.3	61.7	101.22/101.98	120.7	19.1	30.2	49.3
211	2	1.00	4.00	2.50	2.71	5.110/5.140	5.88	0.87	1.35	2.50
	2-3/16									
	2-1/4									
	55mm	25.4	101.6	63.5	68.8	129.79/130.56	149.4	22.1	34.3	63.5
212	2-1/4	1.25	4.00	2.50	2.97	5.110/5.140	5.88	0.90	1.41	2.50
	2-7/16									
	60mm	31.8	101.6	63.5	75.4	129.79/130.56	149.4	22.9	35.8	63.5
214	2-1/2	1.25	4.38	2.75	3.31	5.923/5.953	6.56	1.06	1.48	2.75
	2-11/16									
	70mm	31.8	111.3	69.9	84.1	150.44/151.21	166.6	26.9	37.6	69.9
215	2-15/16	1.25	4.38	2.75	3.62	5.923/5.953	6.69	0.86	1.47	2.75
	75mm									
		31.8	111.3	69.9	91.9	150.44/151.21	169.9	21.8	37.3	69.9

FEATURES/BENEFITS PAGE B3-2	EASY SELECTION PAGE B3-3	SELECTION PAGE B3-5	ACCESSORIES PAGE B3-41
--------------------------------	-----------------------------	------------------------	---------------------------

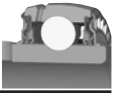
SELECTION/DIMENSIONS



Extreme Duty Setscrew Ball Bearings SCMED MEDIUM DUTY WIDE SLOT TAKE-UP BEARINGS



Series	Shaft Size	Part No.	Description
206	1	076190	WSTU-SCMED-100
	25mm	076334	WSTU-SCMED-25M
207	1-3/16	076191	WSTU-SCMED-103
	1-1/4	076096	WSTU-SCMED-104
	30mm	076335	WSTU-SCMED-30M
208	1-7/16	076192	WSTU-SCMED-107
	35mm	076336	WSTU-SCMED-35M
209	1-1/2	076193	WSTU-SCMED-108
	40mm	076337	WSTU-SCMED-40M
210	1-11/16	076194	WSTU-SCMED-111
	1-3/4	076195	WSTU-SCMED-112
	45mm	076338	WSTU-SCMED-45M



SELECTION/DIMENSIONS

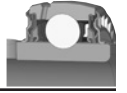
Extreme Duty Setscrew Ball Bearings SCMED MEDIUM DUTY WIDE SLOT TAKE-UP BEARINGS

Series	Shaft Size	Weight lbs. kgs.	Take-Up Frame No. Ref.	A	B	C	D	E	F Screw Dia.	G
206	1	2.9	WS308	1.52	4.38	0.531	2.25	2.75	3/4	0.38
	25mm	1.4		38.6	111.3	13.49	57.2	69.9	19.1	9.7
207	1-3/16	3.9	WS308	1.71	4.87	0.531	2.50	3.06	3/4	0.50
	1-1/4	3.8		43.4	123.7	13.49	63.5	77.7	19.1	12.7
208	1-7/16	6.1	WS400	1.94	5.69	0.688	3.25	3.50	1	0.63
	35mm	2.9		49.3	144.5	17.48	82.6	88.9	25.4	16.0
209	1-1/2	6.0	WS400	1.94	5.63	0.688	3.25	3.44	1	0.63
	40mm	2.8		49.3	143.0	17.48	82.6	87.4	25.4	16.0
210	1-11/16	6.5	WS400	1.94	5.82	0.688	3.38	3.56	1	0.63
	1-3/4	6.4		49.3	147.8	17.48	85.9	90.4	25.4	16.0
45mm	3.0									

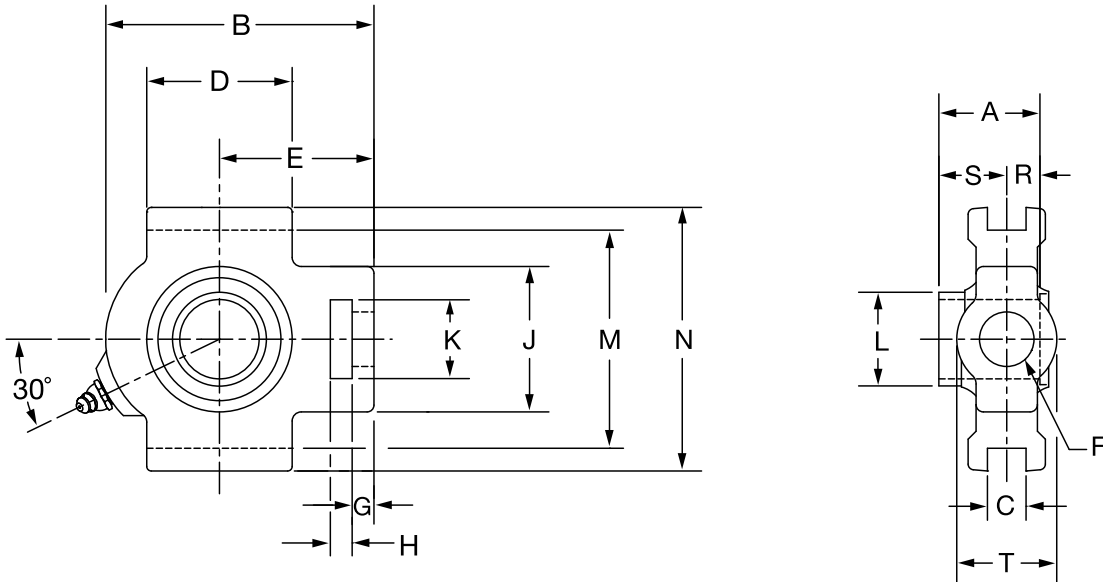
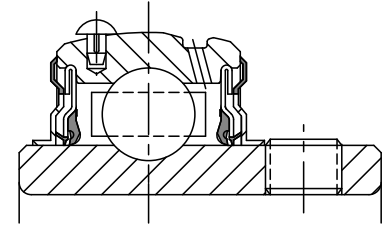
Series	Shaft Size	H	J	K	L	M	N	R	S	T
206	1	0.63	2.19	1.44	1.57	3.480/3.510	4.13	0.58	0.94	1.63
	25mm	16.0	55.6	36.6	39.9	88.39/89.15	104.9	14.7	23.9	41.3
207	1-3/16	0.63	2.50	1.44	1.84	3.480/3.510	4.13	0.67	1.04	1.63
	1-1/4	16.0	63.5	36.6	46.7	88.39/89.15	104.9	17.0	26.4	41.3
208	1-7/16	0.75	3.25	1.94	2.05	3.985/4.015	4.50	0.75	1.19	1.94
	35mm	19.1	82.6	49.3	52.1	101.22/101.98	114.3	19.1	30.2	49.3
209	1-1/2	0.75	3.25	1.94	2.22	3.985/4.015	4.75	0.75	1.19	1.94
	40mm	19.1	82.6	49.3	56.4	101.22/101.98	120.7	19.1	30.2	49.3
210	1-11/16	0.75	3.25	1.94	2.43	3.985/4.015	4.75	0.75	1.19	1.94
	1-3/4	19.1	82.6	49.3	61.7	101.22/101.98	120.7	19.1	30.2	49.3
45mm										

FEATURES/BENEFITS PAGE B3-2	EASY SELECTION PAGE B3-3	SELECTION PAGE B3-5	ACCESSORIES PAGE B3-41
--------------------------------	-----------------------------	------------------------	---------------------------

SELECTION/DIMENSIONS



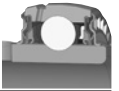
Extreme Duty Setscrew Ball Bearings SCMED MEDIUM DUTY WIDE SLOT TAKE-UP BEARINGS



Series	Shaft Size	Part No.	Description
211	1-15/16	076196	WSTU-SCMED-115
	2	076197	WSTU-SCMED-200
	50mm	076339	WSTU-SCMED-50M
212	2-3/16	076198	WSTU-SCMED-203
	2-1/4	@	WSTU-SCMED-204
	55mm	076340	WSTU-SCMED-55M
214	2-7/16	076199	WSTU-SCMED-207
	2-1/2	076200	WSTU-SCMED-208
	65mm	076341	WSTU-SCMED-65M
215	2-11/16	076201	WSTU-SCMED-211
	70mm	076342	WSTU-SCMED-70M
216	2-15/16	076202	WSTU-SCMED-215
	3	076203	WSTU-SCMED-300
	75mm	076343	WSTU-SCMED-75M

@ Assembled to order

FEATURES/BENEFITS PAGE B3-2	EASY SELECTION PAGE B3-3	SELECTION PAGE B3-5	ACCESSORIES PAGE B3-41
--------------------------------	-----------------------------	------------------------	---------------------------



SELECTION/DIMENSIONS

Extreme Duty Setscrew Ball Bearings SCMED MEDIUM DUTY WIDE SLOT TAKE-UP BEARINGS

Bearing Reference Guide

ULTRA KLEEN

E-Z KLEEN

Extreme Duty

Setscrew Ball Bearing

GRIP TIGHT

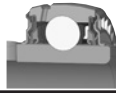
D-LOK Ball Bearing

Series	Shaft Size	Weight lbs. kgs.	Take-Up Frame No. Ref.	A	B	C	D	E	F Screw Dia.	G
211	1-15/16	10.1	WS502	2.22	6.69	1.063	3.75	4.19	1-1/4	0.75
	2	10.2		56.4	169.9	27.00	95.3	106.4	31.8	19.1
	50mm	4.7								
212	2-3/16	11.4	WS502	2.31	7.50	1.063	4.00	4.69	1-1/4	0.75
	2-1/4	11.2		58.7	190.5	27.00	101.6	119.1	31.8	19.1
	55mm	5.1								
214	2-7/16	18.2	WS515	2.54	8.56	1.063	4.75	5.38	1-1/2	0.81
	2-1/2	18.0		64.5	217.4	27.0	120.7	136.7	38.1	20.6
	65mm	8.1								
215	2-11/16	19.0	WS515	2.33	9.13	1.063	4.75	5.50	1-1/2	0.81
	70mm	8.9		59.2	231.9	27.00	120.7	139.7	38.1	20.6
216	2-15/16	21.7	WS608	2.38	9.13	1.063	4.75	2.38	1-1/2	0.81
	3	21.5		60.5	231.6	27.00	120.7	60.5	38.1	20.6
	75mm	9.5								

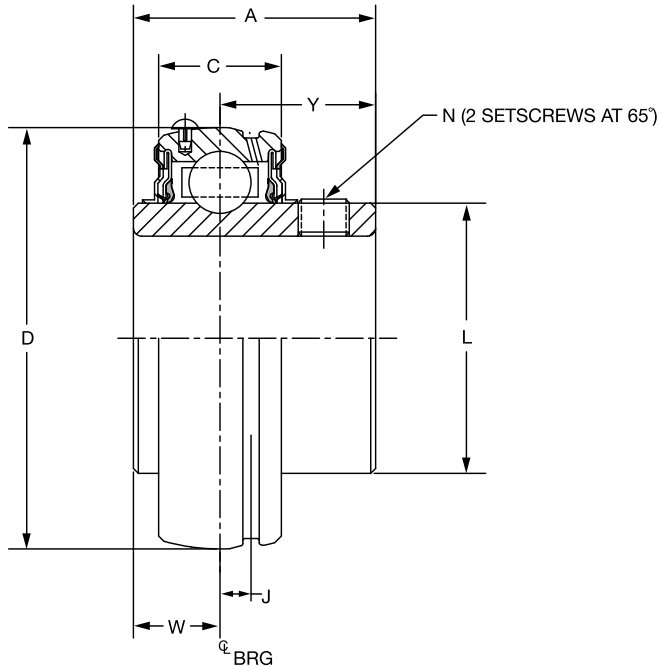
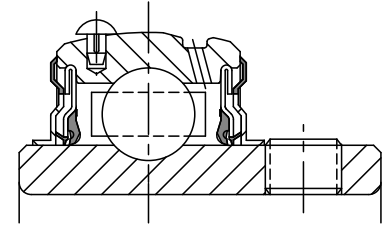
Series	Shaft Size	H	J	K	L	M	N	R	S	T
211	1-15/16	1.00	4.00	2.50	2.71	5.110/5.140	5.88	0.87	1.35	2.50
	2	25.4	101.6	63.5	68.8	129.79/130.56	149.4	22.1	34.3	63.5
	50mm									
212	2-3/16	1.25	4.00	2.50	2.97	5.110/5.140	5.88	0.90	1.41	2.50
	2-1/4	31.8	101.6	63.5	75.4	129.79/130.56	149.4	22.9	35.8	63.5
	55mm									
214	2-7/16	1.25	4.38	2.75	3.31	5.923/5.953	6.56	1.06	1.48	2.75
	2-1/2	31.8	111.3	69.9	84.1	150.44/151.21	166.6	26.9	37.6	69.9
	65mm									
215	2-11/16	1.25	4.38	2.75	3.62	5.923/5.953	6.69	0.86	1.47	2.75
	70mm	31.8	111.3	69.9	91.9	150.44/151.21	169.9	21.8	37.3	69.9
216	2-15/16	1.25	4.38	2.75	3.83	6.485/6.515	7.25	0.88	1.50	2.75
	3	31.8	111.3	69.9	97.3	164.72/165.48	184.2	22.4	38.1	69.9
	75mm									

FEATURES/BENEFITS PAGE B3-2	EASY SELECTION PAGE B3-3	SELECTION PAGE B3-5	ACCESSORIES PAGE B3-41
--------------------------------	-----------------------------	------------------------	---------------------------

SELECTION/DIMENSIONS



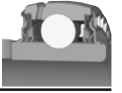
Extreme Duty Setscrew Ball Bearings SCED NORMAL DUTY BEARING INSERTS



Series	Shaft Size	Standard Insert Part No.	Description	Weight Lbs kg	A	C	D	J	L	N	W	Y
204	1/2	@	INS-SCED-008L	.38	1.23	0.58	1.8504	0.15	1.12	1/4-28	0.50	0.73
	5/8	@	INS-SCED-010L	.35								
	3/4	076108	INS-SCED-012	.32								
	20mm	@	INS-SCED-20M	.16	31.2	14.7	47.000	3.8	28.4	M6x1	12.7	18.5
205	7/8	@	INS-SCED-014	.43	1.34	0.59	2.0472	0.16	1.32	1/4-28	0.56	0.78
	15/16	@	INS-SCED-015	.40								
	1	076109	INS-SCED-100	.37								
	25mm	076286	INS-SCED-25M	.18	34.0	15.0	52.000	4.1	33.5	M6x1	14.2	19.8
206	1-1/16	@	INS-SCED-101	.67	1.52	0.69	2.4409	0.16	1.57	5/16-24	0.58	0.94
	1-1/8	076110	INS-SCED-102	.63								
	1-3/16	076111	INS-SCED-103	.60								
	1-1/4	076112	INS-SCED-104S	.58								
	30mm	076287	INS-SCED-30M	.27	38.6	17.5	62.000	4.1	39.9	M8x1.25	14.7	23.9
207	1-1/4	076113	INS-SCED-104	1.02	1.71	0.75	2.8346	0.20	1.84	5/16-24	0.67	1.04
	1-5/16	@	INS-SCED-105	.97								
	1-3/8	076114	INS-SCED-106	.92								
	1-7/16	076115	INS-SCED-107	.86								
	35mm	076288	INS-SCED-35M	.44	43.4	19.1	72.000	5.1	46.7	M8x1.25	17.0	26.4

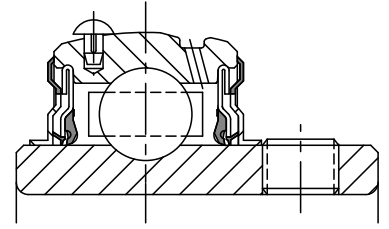
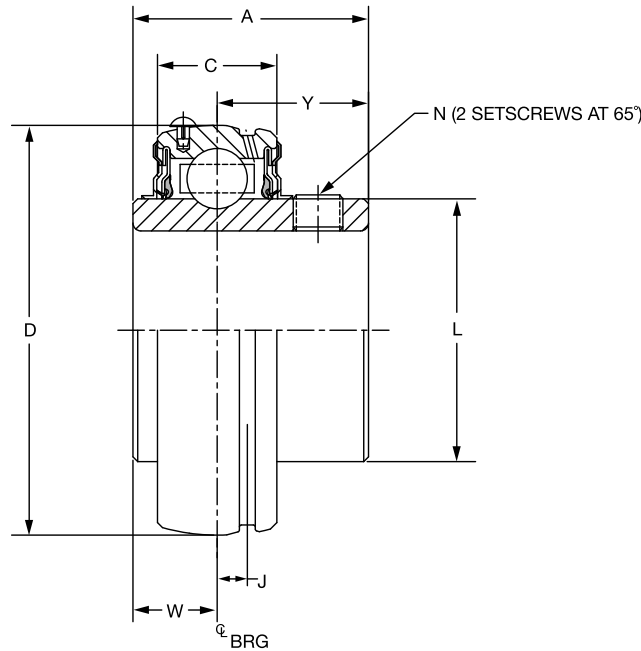
@ Assembled to order

FEATURES/BENEFITS PAGE B3-2	EASY SELECTION PAGE B3-3	SELECTION PAGE B3-5	ACCESSORIES PAGE B3-41
--------------------------------	-----------------------------	------------------------	---------------------------



SELECTION/DIMENSIONS

Extreme Duty Setscrew Ball Bearings SCED NORMAL DUTY BEARING INSERTS



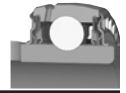
Series Size	Shaft	Standard Insert Part No.	Description	Weight Lbs kg	A	C	D	J	L	N	W	Y
208	1-1/2	076116	INS-SCED-108	1.27	1.94	0.87	3.1496	0.22	2.05	5/16-24	0.75	1.19
	1-5/8	@	INS-SCED-110	1.13								
	40mm	076289	INS-SCED-40M	0.51	49.3	22.1	80.000	5.6	52.1	M8x1.25	19.1	30.2
209	1-5/8	@	INS-SCED-110L	1.49	1.94	0.87	3.3465	0.25	2.22	5/16-24	0.75	1.19
	1-11/16	076117	INS-SCED-111	1.43								
	1-3/4	076118	INS-SCED-112	1.36								
	1-13/16	@	INS-SCED-113	1.30								
210	45mm	076290	INS-SCED-45M	0.62	49.3	22.1	85.000	6.4	56.4	M8x1.25	19.1	30.2
	1-15/16	076119	INS-SCED-115	1.48	1.94	0.87	3.5433	0.25	2.43	3/8-24	0.75	1.19
	2	076120	INS-SCED-200	1.39								
211	50mm	076291	INS-SCED-50M	0.67	49.3	22.1	90.000	6.4	61.7	M10x1.5	19.1	30.2
	2	076211	INS-SCMED-200	2.26	2.22	0.94	3.9370	0.25	2.71	3/8-24	0.87	1.35
	2-3/16	076121	INS-SCED-203	1.97								
212	2-1/4	@	INS-SCED-204	1.87								
	55mm	076292	INS-SCED-55M	0.89	56.4	23.9	100.000	6.4	68.8	M10x1.5	22.1	34.3
	2-1/4	@	INS-SCMED-204	2.85	2.31	1.02	4.3307	0.25	2.97	3/8-24	0.90	1.41
214	2-7/16	076122	INS-SCED-207	2.49								
	60mm	076293	INS-SCED-60M	1.13	58.7	25.9	110.000	6.4	75.4	M10x1.5	22.9	35.8
	2-1/2	076214	INS-SCMED-208	4.25	2.54	1.10	4.9213	0.26	3.31	3/8-24	1.06	1.48
215	2-11/16	076123	INS-SCED-211	3.60								
	70mm	076294	INS-SCED-70M	1.63	64.5	27.9	125.000	6.6	84.1	M10x1.5	26.9	37.6
	2-15/16	076124	INS-SCED-215	3.86	2.33	1.14	5.1181	0.28	3.62	3/8-24	0.86	1.47
218	75mm	076295	INS-SCED-75M	1.75	59.2	29.0	130.000	7.1	91.9	M10x1.5	21.8	37.3
	90mm	@	INS-SCED-90M	3.3	65.0	34.0	160.000	7.6	110.5	M10x1.5	24.4	40.6

@ Assembled to order.

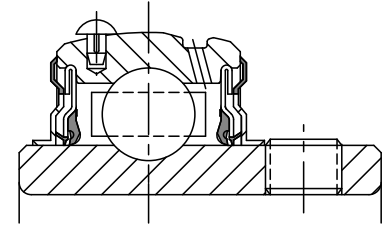
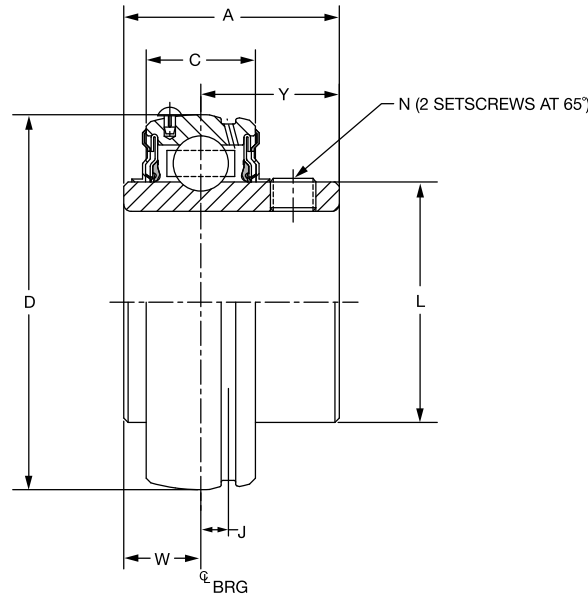
* 20 piece minimum

FEATURES/BENEFITS PAGE B3-2	EASY SELECTION PAGE B3-3	SELECTION PAGE B3-5	ACCESSORIES PAGE B3-41
--------------------------------	-----------------------------	------------------------	---------------------------

SELECTION/DIMENSIONS



Extreme Duty Setscrew Ball Bearings SCMED MEDIUM DUTY BEARING INSERTS

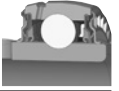


Series	Shaft Size	Standard Insert Part No.	Description	Weight Lbs. kg	A	C	D	J	L	N	W	Y
206	1	076204	INS-SCMED-100	0.71	1.52	0.69	2.4409	0.16	1.57	5/16-24	0.58	0.94
	25mm	076344	INS-SCMED-25M	0.32	38.6	17.5	62.000	4.1	39.9	M8x1.25	14.7	23.9
207	1-3/16	076205	INS-SCMED-103	1.07	1.71	0.75	2.8346	0.20	1.84	5/16-24	0.67	1.04
	1-1/4	076113	INS-SCED-104	1.02								
	30mm	076287	INS-SCED-30M	0.53	43.4	19.1	72.000	5.1	46.7	M8x1.25	17.0	26.4
208	1-7/16	076206	INS-SCMED-107	1.32	1.94	0.87	3.1496	0.22	2.05	5/16-24	0.75	1.19
	1-1/2#	076116	INS-SCED-108	1.27								
	35mm	076346	INS-SCMED-35M	0.60	49.3	22.1	80.000	5.6	52.1	M8x1.25	19.1	30.2
209	1-1/2	076207	INS-SCMED-108	1.62	1.94	0.87	3.3465	0.25	2.22	5/16-24	0.75	1.19
	1-5/8	@	INS-SCED-110L	1.49								
	40mm	076347	INS-SCMED-40M	0.71	49.3	22.1	85.000	6.4	56.4	M8x1.25	19.1	30.2
210	1-11/16	076208	INS-SCMED-111	1.82	1.94	0.87	3.5433	0.25	2.43	3/8-24	0.75	1.19
	1-3/4	076209	INS-SCMED-112	1.74								
	45mm	076348	INS-SCMED-45M	0.76	49.3	22.1	90.000	6.4	61.7	M10x1.5	19.1	30.2
211	1-15/16	076210	INS-SCMED-115	2.36	2.22	0.94	3.9370	0.25	2.71	3/8-24	0.87	1.35
	2	076211	INS-SCMED-200	2.26								
	50mm	076349	INS-SCMED-50M	1.03	56.4	23.9	100.000	6.4	68.8	M10x1.5	22.1	34.3
212	2-3/16	076212	INS-SCMED-203	2.97	2.31	1.02	4.3307	0.25	2.97	3/8-24	0.90	1.41
	2-1/4	@	INS-SCMED-204	2.85								
	55mm	076350	INS-SCMED-55M	1.27	58.7	25.9	110.000	6.4	75.4	M10x1.5	22.9	35.8
214	2-7/16	076213	INS-SCMED-207	4.39	2.54	1.10	4.9213	0.26	3.31	3/8-24	1.06	1.48
	2-1/2	076214	INS-SCMED-208	4.25								
	60mm	076351	INS-SCMED-65M	1.86	64.5	27.9	125.000	6.6	84.1	M10x1.5	26.9	37.6
215	2-11/16	076215	INS-SCMED-211	4.49	2.33	1.14	5.1181	0.28	3.62	3/8-24	0.86	1.47
	70mm	076352	INS-SCMED-70M	1.98	59.2	29.0	130.000	7.1	91.9	M10x1.5	21.8	37.3
216	2-15/16	076216	INS-SCMED-215	5.54	2.38	1.18	5.5118	0.29	3.83	3/8-24	0.88	1.50
	3	076217	INS-SCMED-300	5.52								
	75mm	076353	INS-SCMED-75M	2.51	60.5	30.0	140.000	7.4	97.3	M10x1.5	22.4	38.1
218	3-7/16	076218	INS-SCMED-307	7.35	2.56	1.34	6.2992	0.30	4.35	3/8-24	0.96	1.60
	3-1/2	076219	INS-SCMED-308	7.33								
	85mm	076354	INS-SCMED-85M	3.33	65.0	34.0	160.000	7.6	110.5	M10x1.5	24.4	40.6

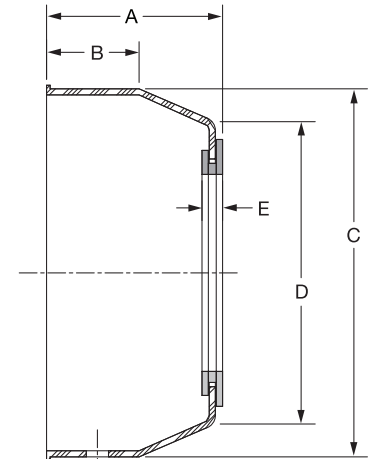
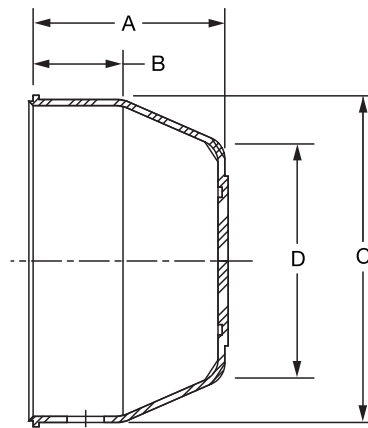
@ Assembled to order

SCM Piloted Flange Only

FEATURES/BENEFITS PAGE B3-2	EASY SELECTION PAGE B3-3	SELECTION PAGE B3-5	ACCESSORIES PAGE B3-41
--------------------------------	-----------------------------	------------------------	---------------------------



Extreme Duty Setscrew Ball Bearing END CLOSURES

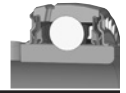


Series	Closed End Closure	
	Part Number	Description
204	128280	EC-204-Y
205	128281	EC-205-Y
206	128282	EC-206-Y
207	128283	EC-207-Y
208	128284	EC-208-Y
209	128285	EC-209-Y
210	128286	EC-210-Y
211	128277	EC-211-Y
212	128278	EC-212-Y
214	128220	EC-214
215	128221	EC-215
216	128222	EC-216
218	128223	EC-218

Open End Closure		
Shaft Size	Part Number	Description
3/4	128350	ECO-012-Y
20mm	128363	ECO-20M-Y
1	128351	ECO-100-Y
25mm	128364	ECO-25M-Y
1-3/16	128352	ECO-103-Y
1-1/4	128353	ECO-104S-Y
30mm	128365	ECO-30M-Y
1-1/4	128355	ECO-104-Y
1-7/16	128354	ECO-107-Y
35mm	128366	ECO-35M-Y
1-1/2	128356	ECO-108-Y
40mm	128367	ECO-40M-Y
1-11/16	128357	ECO-111-Y
45mm	128368	ECO-45M-Y
1-15/16	128358	ECO-115-Y
50mm	128369	ECO-50M-Y
1-15/16	079702	ECO-115 (211) †
2	079701	ECO-200 (211) †
2-3/16	079700	ECO-203 (211)
2-1/4	079699	ECO-204 (211)
50mm	079698	ECO-50M (211) †
55mm	079697	ECO-55M (211)
2-3/16	079696	ECO-203 (212) †
2-1/4	079695	ECO-204 (212) †
2-7/16	079694	ECO-207 (212)
55mm	079693	ECO-55M (212) †
60mm	079692	ECO-60M (212)
2-7/16	127328	ECO-207 (214) †
2-1/2	127329	ECO-208 (214) †
2-11/16	127330	ECO-211 (214)
65mm	127337	ECO-65M (214) †
70mm	127338	ECO-70M (214)
2-11/16	127331	ECO-211 (215) †
2-15/16	127332	ECO-215 (215)
70mm	127339	ECO-70M (215) †
75mm	127340	ECO-75M (215)
2-15/16	127333	ECO-215 (216) †
3	127334	ECO-300 (216) †
75mm	127340	ECO-75M (216) †
3-7/16	127335	ECO-307 (218) †
3-1/2	127336	ECO-308 (218) †
85MM	127342	ECO-85M (218) †
90MM	127343	ECO-90M (218)

† SCM Series only

FEATURES/BENEFITS PAGE B3-2	EASY SELECTION PAGE B3-3	SELECTION PAGE B3-5	SELECTION/DIMENSIONS PAGE B3-8
--------------------------------	-----------------------------	------------------------	-----------------------------------



Extreme Duty Setscrew Ball Bearings

Open Cover Dimensions

Series	Shaft Size	A	B	C	D	E
204	3/4	1.19	0.53	1.91	1.38	0.19
	20mm	30.2	13.5	48.4	35.1	4.9
205	1	1.25	0.53	2.17	1.61	0.19
	25mm	31.8	13.5	55.1	40.9	4.9
206	1-3/16	1.39	0.56	2.50	0.97	0.19
	1-1/4					
	30mm	35.3	14.2	63.5	50.0	4.9
207	1-1/4	1.53	0.69	2.91	2.31	0.19
	1-7/16					
	35mm	38.9	17.5	73.9	58.9	4.9
208	1-1/2	1.59	0.69	3.31	2.77	0.20
	40mm	40.6	17.5	84.1	70.1	5.1
209	1-11/16	1.66	0.72	3.50	2.88	0.20
	45mm	41.9	18.3	88.9	72.9	5.1
210	1-15/16	1.72	0.91	3.63	3.00	0.20
	50mm	43.7	23.1	91.4	76.2	5.1
211	1-15/16	1.80	0.97	3.94	3.30	0.21
	2					
	2-3/16					
	2-1/4	50mm	45.5	24.6	100.1	83.6
212	2-3/16	1.91	1.00	4.38	3.66	0.21
	2-1/4					
	2-7/16					
	55mm	48.3	25.4	111.3	92.7	5.3
214	2-7/16	3.00	1.50	4.90	3.75	0.30
	2-1/2					
	2-11/16					
	65mm	76.2	38.1	124.5	95.3	5.3
215	2-11/16	3.00	1.50	5.20	4.00	0.30
	2-15/16					
	70mm	76.2	38.1	132.1	101.6	5.3
216	2-15/16	3.00	1.50	5.50	4.38	0.30
	3					
218	75mm	76.2	38.1	139.7	111.1	5.3
	3-7/16	3.09	1.50	6.25	5.00	0.30
	3-1/2					
85mm	78.6	38.1	158.8	127.0	5.3	

Closed Cover Dimensions

Series	Shaft Size	A	B	C	D
204	3/4	1.13	0.53	1.91	1.38
	20mm	28.7	13.5	48.4	35.1
205	1	1.19	0.53	2.17	1.61
	25mm	30.2	13.5	55.1	40.9
206	1-3/16	1.33	0.56	2.50	0.97
	1-1/4				
	30mm	33.8	14.2	63.5	50.0
207	1-1/4	1.47	0.69	2.91	2.31
	1-7/16				
	35mm	37.3	17.5	73.9	58.9
208	1-1/2	1.55	0.69	3.31	2.77
	40mm	39.1	17.5	84.1	70.1
209	1-11/16	1.59	0.72	3.50	2.88
	45mm	40.4	18.3	88.9	72.9
210	1-15/16	1.66	0.91	3.62	3.00
	50mm	42.2	23.1	91.4	76.2
211	1-15/16	1.80	0.97	3.94	3.30
	2				
	2-3/16				
	2-1/4	50mm	45.5	24.6	100.1
212	2-3/16	1.91	1.00	4.38	3.66
	2-1/4				
	2-7/16				
	55mm	48.3	25.4	111.3	92.7
214	2-7/16	3.00	1.50	4.90	3.75
	2-1/2				
	2-11/16				
	65mm	76.2	38.1	124.5	95.3
215	2-11/16	3.00	1.50	5.20	4.00
	2-15/16				
	70mm	76.2	38.1	132.1	101.6
216	2-15/16	3.00	1.50	5.50	4.38
	3				
218	75mm	76.2	38.1	139.7	111.1
	3-7/16	3.09	1.50	6.25	5.00
	3-1/2				
85mm	78.6	38.1	158.8	127.0	

CONTENTS



Setscrew VSC Ball Bearings

Features / Benefits	B8-2
How to Order/Nomenclature	B4-5
Selection	B8-3
Selection/Dimensions	B8-8
Modification/Accessories	B8-26
Part Number Index	INDEX-1
Key Word Index	KEYWORD-1

Eccentric Collar Ball Bearing

Setscrew VSC Ball Bearing

Eccentric SXV Collar Ball Bearing

Take-Up Frames

Engineering

Part Number Index

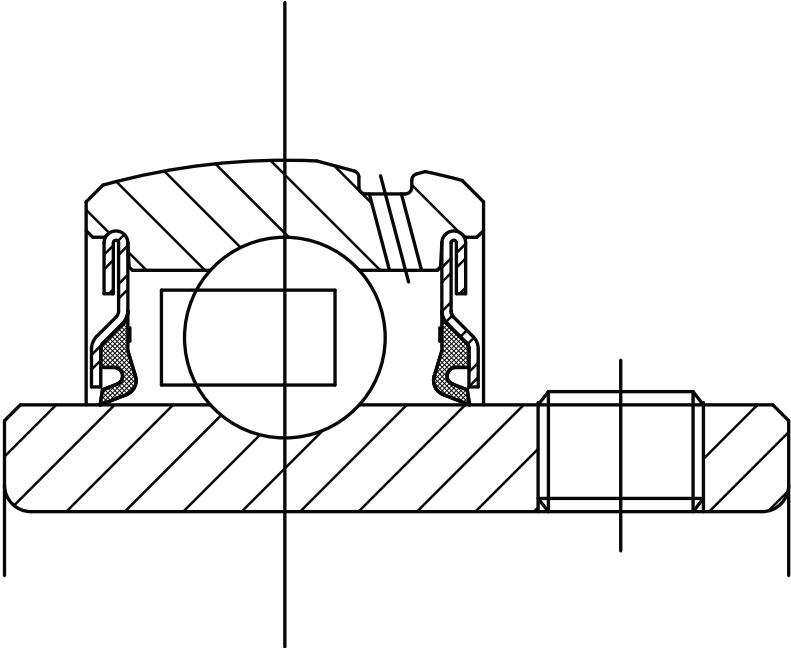
Keyword Index



FEATURES/BENEFITS

Setscrew VSC Ball Bearings

- 65° Setscrew
- Wide Inner Ring Design NEW!
- Fiberglass Reinforced Nylon Cage
- Grade 10 Balls
- ProGuard Single Lip Seal
- No Groove in Housing for End Cover
- Multiple Housing Styles Available
 - P2B, F2B, F4B, WSTU, NSTU
- Bore Range
 - 1/2" To 2-3/16"
 - 20mm to 55mm



Eccentric Collar Ball Bearings

Setscrew VSC Ball Bearing

Eccentric SXV Collar Ball Bearing

Take-Up Frames

Engineering

Part Number Index

Keyword Index

Note: Instruction manuals and drawings for Dodge are available on www.dodge-pt.com



SELECTION

Setscrew VSC Ball Bearings

Recommended Torque													
Setscrews					D-LOK			Mounting Bolts					
Setscrew Size	Key Hex Across Flats	◆ Recommended Torque			Cap Screw Size	Recom. Torque	EZ-KLEEN Recom. Torque	Metal Housings		EZ-KLEEN Housed Bearings			
		Standard Ball Bearing Insert		Corrosion Resistant Stainless Steel				Bolt Size	Recom. Dry Torque (Grade 2)	2-Bolt PB, 2 & 4 Bolt Fig. and Fig. Brackets		Tapped Base PB	
		Min	Max							Bolt Size	Torque ①	Bolt Size	Torque ②
(in.)	(in.)	(in.-lbs.)	(in.-lbs.)	(in.-lbs.)	(in.)	(in.Olbs.)	(in.-lbs.)	(in.)	(in.Olbs.)	(in.)	(in.-lbs.)	(in.)	(in.-lbs.)
#10	3/32	28	33	25	#8-32	58	46	3/8-16	240	3/8-16	225	3/8-16	175
1/4	1/8	66	80	60	#10-32	90	72	7/16-14	384	7/16-14	350	7/16-14	350
5/16	5/32	126	156	117	1/4-28	180	144	1/2-13	600	1/2-13	500	1/2-13	400
3/8	3/16	228	275	206	5/16-24	400	320	5/8-11	1200	9/16-12	650		
7/16	7/32	342	428	321	3/8-24	750	600	3/4-10	1950	5/8-11	1000		
								7/8-9	2890				
(mm)	(mm)	(N-m)	(N-m)	(N-m)	(mm)	(N-m)	(N-m)	(mm)	(N-m)	(mm)	(N-m)		
M5	2.5	3.2	3.7	2.8	M4	585	4.68	M10	29	M8	15	①Torque for Austenitic (18-8) Stainless ②Max. torque values published. Do not exceed	
M6	3	6.2	7.7	5.8	M5	10.75	8.6	M12	50	M10	25		
M8	4	14.2	17.8	13.4	M6	20.5	16.4	M16	124	M12	50		
M10	5	26	31	23	M8	45	36	M20	238	M14	75		
M12	6	46	57	43				M22	322	M18	125		

Lubrication

High Speed Operation - In the higher speed ranges, too much grease will cause over-heating. The amount of grease that the bearing will take for a particular high speed application can only be determined by experience. If excess grease in the bearing causes overheating, it will be necessary to remove grease fitting to permit excess grease to escape. The bearing has been greased at the factory and is ready to run. When establishing a relubrication schedule, note that a small amount of grease at frequent intervals is preferable to a large amount at infrequent intervals.

◆ **Note:** Dodge does not recommend the use of oils or locking agents on setscrew threads. However, if utilized, the minimum installation torque values should be followed.

Lubrication Guide

Use a No. 2 Lithium complex base grease or equivalent*

Hours Run per Day	Suggested Lubrication Period in Weeks							
	1 to 250 RPM	251 to 500 RPM	501 to 750 RPM	751 to 1000 RPM	1001 to 1500 RPM	1501 to 2000 RPM	2001 to 2500 RPM	2501 to 3000 RPM
8	12	12	10	7	5	4	3	2
16	12	7	5	4	2	2	1	1
24	10	5	3	2	1	1	1	1

* For EZ-KLEEN series bearings, use an aluminum complex base grease.

Lubrication recommendations are intended for standard products applied in general operating conditions. For modified products, high temperature applications, and other anomalous applications contact product engineering at 864-284-5700.

Note: Bearing analysis program "BEST" is available on www.ptwizard.com

FEATURES/BENEFITS PAGE B8-2	HOW TO ORDER/NOMENCLATURE PAGE B4-5	SELECTION/DIMENSIONS PAGE B8-8	ACCESSORIES PAGE B8-26
--------------------------------	--	-----------------------------------	---------------------------

SELECTION



Setscrew VSC Ball Bearings Inch

Table 2 (continued): Easy Selection Table for Ball Bearing Mounted Units

Ring Size	Shaft Size		Dynamic Capacity C, Lbs.	Static Capacity Co, Lbs.	L ₁₀ LIFE HOURS	Allowable Equivalent Radial Load Rating (Lbs.) At Various Rpm*								
	SC, VSC, SL, CC	SCM				2500	3000	3500	4000	4500	5000	5500	6500	7500
203	1/2 5/8		2158	1079	20000	150	140	135	130	125	120	115	110	105
					30000	130	125	115	110	105	105	100	95	90
					40000	120	110	105	100	95	95	90	85	80
					60000	105	95	95	90	85	80	80	75	70
					100000	85	80	80	75	70	70	65	65	60
204	1/2 5/8 3/4 13/16		2899	1482	20000	200	190	180	170	165	160	155	145	140
					30000	175	165	155	150	145	140	135	130	120
					40000	160	150	145	135	130	125	125	115	110
					60000	140	130	125	120	115	110	105	100	95
					100000	115	110	105	100	90	95	90	85	80
205	7/8 15/16 1		3146	1769	20000	220	205	195	185	180	175	170	160	150
					30000	190	180	170	165	155	150	145	140	130
					40000	175	165	155	150	140	135	135	125	120
					60000	150	140	135	130	125	120	115	110	105
					100000	125	120	115	110	105	100	100	95	90
206	1-1/16 1-1/8 1-3/16 1-1/4	1	4368	2538	20000	305	285	270	260	250	240	235	200	
					30000	265	250	235	225	220	210	205	195	
					40000	240	225	215	205	200	190	185	175	
					60000	210	200	190	180	175	165	160	155	
					100000	175	165	160	150	145	140	135	130	
207	1-1/4 1-5/16 1-3/8 1-7/16	1-3/16 1-1/4	5759	3461	20000	400	375	355	340	330	315	305		
					30000	350	330	310	300	285	275	270		
					40000	315	300	285	270	260	250	245		
					60000	275	260	250	235	230	220	225		
					100000	235	220	210	200	190	185	180		
208	1-1/2 1-5/8	1-7/16 1-1/2**	7332	4475	20000	510	480	455	435	420	405			
					30000	445	420	400	380	365	355			
					40000	405	380	360	345	330	320			
					60000	355	330	315	300	290	280			
					100000	300	280	265	255	245	235			
209	1-5/8 1-11/16 1-3/4	1-1/2	7891	4906	20000	550	515	490	470	450	435			
					30000	480	450	430	410	395	380			
					40000	435	410	390	370	360	345			
					60000	380	360	340	325	310	300			
					100000	320	300	285	275	265	255			
210	1-15/16 2	1-11/16 1-3/4	7891	5213	20000	550	515	490	470	450				
					30000	480	450	430	410	395				
					40000	435	410	390	370	360				
					60000	380	360	340	325	310				
					100000	320	300	285	275	265				
211	2 2-3/16 2-1/4	1-15/16 2	9755	6588	20000	676	636	604	578					
					30000	591	556	528	505					
					40000	537	505	480	459					
					60000	469	441	419	401					
					100000	395	372	353	338					
212	2-1/4 2-7/16	2-3/16 2-1/4	11791	8100	20000	820	770	730						
					30000	715	675	640						
					40000	650	610	580						
					60000	570	535	510						
					100000	480	450	430						
214	2 11/16	2-7/16 2-1/2	13995	9838	20000	970	915							
					30000	850	800							
					40000	770	725							
					60000	675	635							
					100000	570	535							
215	2-15/16	2-11/16	14872	11108	20000	1035	975							
					30000	905	850							
					40000	820	770							
					60000	715	675							
					100000	605	570							
216		2-15/16 3	17407	13102	20000	1210								
					30000	1055								
					40000	960								
					60000	840								
					100000	705								
218		3-7/16 3-1/2	21451	16641	20000									
					30000									
					40000									
					60000									
					100000									

* Slight interference fit required when operating on the right of the heavy line or in the shaded area ** Piloted flange only

Note: Bearing analysis program "BEST" is available on www.ptwizard.com

FEATURES/BENEFITS PAGE B8-2	HOW TO ORDER/NOMENCLATURE PAGE B4-5	SELECTION/DIMENSIONS PAGE B8-8	ACCESSORIES PAGE B8-26
--------------------------------	--	-----------------------------------	---------------------------

Eccentric Collar Ball Bearing

Setscrew VSC Ball Bearing

Eccentric SXV Collar Ball Bearing

Take-Up Frames

Engineering

Part Number Index

Keyword Index

SELECTION



Setscrew VSC Ball Bearings Inch

Table 2 (continued): Easy Selection Table for Ball Bearing Mounted Units

Ring Size	Shaft Size		Dynamic Capacity C, N.	Static Capacity Co, N.	L ₁₀ Life Hours	Allowable Equivalent Radial Load Rating (N.) At Various Rpm*									
	SC, VSC, SL, C	SCM				2500	3000	3500	4000	4500	5000	5500	6500	7500	
203	17mm		9600	4800	20000	667	623	600	578	556	534	512	489	467	
					30000	578	556	512	489	467	467	445	423	400	
					40000	534	489	467	445	423	400	378	356	334	311
					60000	467	423	423	400	378	356	358	334	311	
					100000	378	356	356	334	311	311	289	289	267	
204	20mm		12895	6592	20000	890	845	801	756	734	712	689	645	623	
					30000	778	724	689	667	645	623	600	578	534	
					40000	712	667	645	600	578	556	556	512	489	
					60000	623	578	556	534	512	489	467	445	423	
					100000	512	489	467	445	400	423	400	378	356	
205	25mm		13995	7869	20000	979	912	867	823	801	778	756	712	667	
					30000	845	801	756	734	689	667	645	623	578	
					40000	778	734	689	667	623	600	600	556	534	
					60000	667	623	600	578	556	534	512	489	467	
					100000	556	534	512	489	467	445	445	423	400	
206	30mm	25mm	18993	11,290	20000	1357	1268	1201	1156	1112	1068	1045	979		
					30000	1179	1112	1045	1001	979	934	912	867		
					40000	1068	1001	958	912	890	845	823	778		
					60000	934	890	845	801	778	734	712	689		
					100000	778	734	712	667	645	623	600	578		
207	35mm	30mm	25628	15,395	20000	1779	1668	1579	1512	1468	1401	1357			
					30000	1557	1468	1379	1134	1268	1223	1201			
					40000	1401	1334	1268	1201	1156	1112	1090			
					60000	1223	1156	1112	1045	1023	979	956			
					100000	1045	979	934	890	845	823	801			
208	40mm	35mm	32627	19,906	20000	2268	2135	2024	1935	1868	1801				
					30000	1979	1868	1779	1690	1624	1579				
					40000	1801	1690	1601	1535	1468	1423				
					60000	1576	1468	1401	1334	1290	1245				
					100000	1334	1245	1179	1134	1090	1045				
209	45mm	40mm	35115	21,823	20000	2446	2291	2180	2091	2002	1935				
					30000	2135	2002	1913	1824	1757	1690				
					40000	1935	1824	1735	1646	1601	1535				
					60000	1690	1601	1512	1446	1379	1334				
					100000	1423	1334	1268	1223	1179	1134				
210	50mm	45mm	35115	23,189	20000	2446	2291	2180	2091	2002					
					30000	2135	2002	1913	1824	1757					
					40000	1935	1824	1735	1646	1601					
					60000	1690	1601	1512	1446	1379					
					100000	1423	1334	1268	1223	1179					
211	55mm	50mm	43394	29,305	20000	3007	2830	2688	2571						
					30000	2627	2472	2348	2246						
					40000	2387	2246	2134	2041						
					60000	2085	1962	1864	1783						
					100000	1759	1655	1572	1504						
212	60mm	55mm	52470	36,031	20000	3647	3425	3247							
					30000	3180	3002	2847							
					40000	2891	2713	2580							
					60000	2535	2380	2268							
					100000	2135	2002	1913							
214	70mm	65mm	62278	43,762	20000	4315	4070								
					30000	3781	3558								
					40000	3425	3225								
					60000	3002	2824								
					100000	2535	2380								
215	75mm	70mm	66180	49,411	20000	4604	4337								
					30000	4025	3781								
					40000	3647	3425								
					60000	3180	3002								
					100000	2691	2535								
216		75mm	77426	58,281	20000	5382									
					30000	4693									
					40000	4270									
					60000	3736									
					100000	3136									
218		85mm	95371	74,023	20000										
					30000										
					40000										
					60000										
					100000										

* Slight interference fit required when operating on the right of the heavy line or in the shaded area

Note: Bearing analysis program "BEST" is available on www.ptwizard.com

FEATURES/BENEFITS PAGE B8-2	HOW TO ORDER/NOMENCLATURE PAGE B4-5	SELECTION/DIMENSIONS PAGE B8-8	ACCESSORIES PAGE B8-26
--------------------------------	--	-----------------------------------	---------------------------

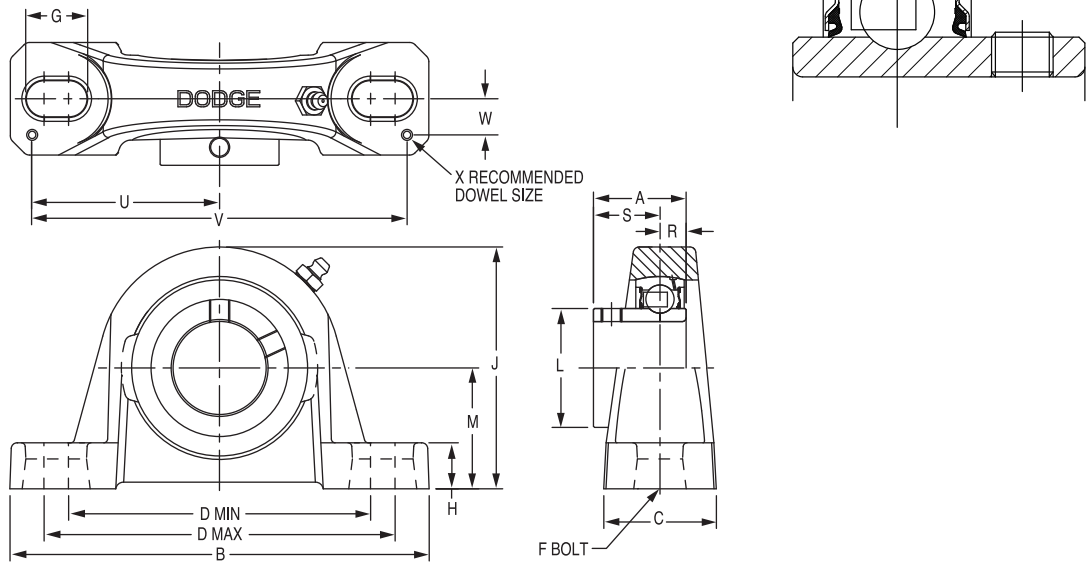
SELECTION/DIMENSIONS



Setscrew VSC Ball Bearings VSC AND VSCU INTERMEDIATE DUTY PILLOW BLOCKS

Lube Fitting

203 series - 1/4-28 tapered thread
204 series and larger - 1/8-27 NPT



Series	Shaft Size	Standard		No-Lube/Sealed for Life (-NL)	
		Part No.	Description	Part No.	Description
203	1/2	125500	P2B-VSC-008	049887	P2B-VSC-008-NL
	5/8	125501	P2B-VSC-010	@	P2B-VSC-010-NL
	17mm	@	P2B-VSC-17M	@	P2B-VSC-17M-NL
203 (VSCU)	1/2	125513	P2B-VSCU-008	@	P2B-VSCU-008-NL
	5/8	125514	P2B-VSCU-010	@	P2B-VSCU-010-NL
	17mm	125685	P2B-VSCU-17M	@	P2B-VSCU-17M-NL
204	3/4	123580	P2B-VSC-012	054495	P2B-VSC-012-NL
	20mm	125686	P2B-VSC-20M	@	P2B-VSC-20M-NL
205	7/8	125502	P2B-VSC-014	@	P2B-VSC-014-NL
	15/16	125503	P2B-VSC-015	@	P2B-VSC-015-NL
	1	123581	P2B-VSC-100	123590	P2B-VSC-100-NL
	25mm	125687	P2B-VSC-25M	@	P2B-VSC-25M-NL
206	1-1/8	125504	P2B-VSC-102	@	P2B-VSC-102-NL
	1-3/16	123582	P2B-VSC-103	064691	P2B-VSC-103-NL
	1-1/4	123589	P2B-VSC-104S	@	P2B-VSC-104S-NL
	30mm	125751	P2B-VSC-30M	@	P2B-VSC-30M-NL
206 (VSCU)	1-1/8	125515	P2B-VSCU-102	@	P2B-VSCU-102-NL
	1-3/16	123604	P2B-VSCU-103	050845	P2B-VSCU-103-NL
	1-1/4	123606	P2B-VSCU-104S	@	P2B-VSCU-104S-NL
	30mm	125688	P2B-VSCU-30M	@	P2B-VSCU-30M-NL

@Assembled to order

FEATURES/BENEFITS PAGE B8-2	HOW TO ORDER/NOMENCLATURE PAGE B4-5	EASY SELECTION PAGE B8-3	ACCESSORIES PAGE B8-26
--------------------------------	--	-----------------------------	---------------------------



SELECTION/DIMENSIONS

Setscrew VSC Ball Bearings VSC AND VSCU INTERMEDIATE DUTY PILLOW BLOCKS

Eccentric Collar Ball Bearing

Setscrew VSC Ball Bearing

Eccentric SXV Collar Ball Bearing

Take-Up Frames

Engineering

Part Number Index

Keyword Index

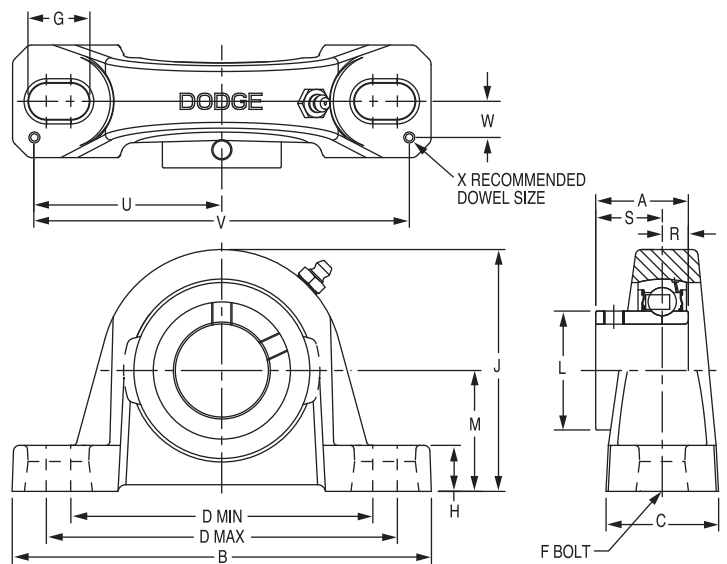
Series	Shaft Size	Weight lbs. kgs.	A	B	C	D		F Bolt Dia.	G	H	J	L	M	R	S	U	V	W	X	
						Min.	Max.													
203	1/2	1.1	1.00	5.00	1.20	3.25	4.06	3/8	0.84	0.47	2.14	0.96	1.06	0.36	0.64	2.25	4.50	0.38	0.12	
	5/8	1.0																		
	17mm	0.5	25.4	127.0	30.5	82.6	103.1	M10	21.3	11.9	54.4	24.4	26.9	9.1	16.3	57.2	114.3	9.7	3.0	
203 (VSCU)	1/2	1.2	1.00	5.00	1.20	3.25	4.06	3/8	0.84	0.59	2.27	0.96	1.19	0.36	0.64	2.25	4.50	0.38	0.12	
	5/8	1.1																		
	17mm	0.6	25.4	127.0	30.5	82.6	103.1	M10	21.3	15.0	57.7	24.4	30.2	9.1	16.3	57.2	114.3	9.7	3.0	
204	3/4	1.4	1.23	5.25	1.34	3.38	4.19	3/8	0.85	0.53	2.56	1.12	1.31	0.50	0.73	2.25	4.50	0.50	0.12	
	20mm	0.6	31.2	133.4	34.0	85.9	106.4	M10	21.6	13.5	65.0	28.4	33.3	12.7	18.5	57.2	114.3	12.7	3.0	
205	7/8	1.8	1.34	5.50	1.40	3.69	4.50	3/8	0.85	0.58	2.77	1.32	1.44	0.56	0.78	2.50	5.00	0.50	0.12	
	15/16	1.7																		
	1	1.6																		
206	25mm	0.8	34.0	139.7	35.6	93.7	114.3	M10	21.6	14.7	70.4	33.5	36.6	14.2	19.8	63.5	127.0	12.7	3.0	
	1-1/8	2.7	1.52	6.25	1.75	4.25	5.00	1/2	0.94	0.68	3.25	1.57	1.63	0.58	0.94	2.88	5.76	0.56	0.12	
	1-3/16	2.6																		
206 (VSCU)	1-1/4	2.5																		
	30mm	1.2	38.6	158.8	44.5	108.0	127.0	M12	23.9	17.3	82.6	39.9	41.4	14.7	23.9	73.2	146.3	14.2	3.0	
	1-1/8	2.8	1-19/64	6-1/4	1-47/64	4-1/4	5	1/2	15/16	3/4	3-5/16	1-37/64	1-11/16	25/64	29/32	2-7/8	5-3/4	9/163	3/16	
206 (VSCU)	1-3/16	2.7																		
	1-1/4	2.6																		
	30mm	1.3	32.9	158.8	44.1	108.0	127.0	M12	23.8	19.1	84.1	40.1	42.9	9.9	23.0	73.0	146.1	14.3	4.8	

FEATURES/BENEFITS PAGE B8-2	HOW TO ORDER/NOMENCLATURE PAGE B4-5	EASY SELECTION PAGE B8-3	ACCESSORIES PAGE B8-26
--------------------------------	--	-----------------------------	---------------------------



SELECTION/DIMENSIONS

Setscrew VSC Ball Bearings VSC AND VSCU INTERMEDIATE DUTY PILLOW BLOCKS



Lube Fitting
203 series - 1/4-28 tapered thread
204 series and larger - 1/8-27 NPT

Series	Shaft Size	Standard		No-Lube/Sealed for Life (-NL)	
		Part No.	Description	Part No.	Description
207	1-1/4	123583	P2B-VSC-104	051889	P2B-VSC-104-NL
	1-3/8	125505	P2B-VSC-106	@	P2B-VSC-106-NL
	1-7/16	123584	P2B-VSC-107	050838	P2B-VSC-107-NL
	35mm	125689	P2B-VSC-35M	067664	P2B-VSC-35M-NL
208	1-1/2	123585	P2B-VSC-108	051890	P2B-VSC-108-NL
	40mm	@	P2B-VSC-40M	@	P2B-VSC-40M-NL
209	1-11/16	125506	P2B-VSC-111	@	P2B-VSC-111-NL
	1-3/4	124933	P2B-VSC-112	@	P2B-VSC-112-NL
	45mm	125691	P2B-VSC-45M	@	P2B-VSC-45M-NL
210	1-15/16	123586	P2B-VSC-115	053662	P2B-VSC-115-NL
	2	123587	P2B-VSC-200	@	P2B-VSC-200-NL
	50mm	125692	P2B-VSC-50M	@	P2B-VSC-50M-NL
211	2	123593	P2B-VSC-200L	049784	P2B-VSC-200L-NL
	2-3/16	123588	P2B-VSC-203	@	P2B-VSC-203-NL
	55mm	125693	P2B-VSC-55M	@	P2B-VSC-55M-NL

@Assembled to order

FEATURES/BENEFITS PAGE B8-2	HOW TO ORDER/NOMENCLATURE PAGE B4-5	EASY SELECTION PAGE B8-3	ACCESSORIES PAGE B8-26
--------------------------------	--	-----------------------------	---------------------------



SELECTION/DIMENSIONS

Setscrew VSC Ball Bearings VSC AND VSCU INTERMEDIATE DUTY PILLOW BLOCKS

Eccentric Collar Ball Bearing

Setscrew VSC Ball Bearing

Eccentric SXV Collar Ball Bearing

Take-Up Frames

Engineering

Part Number Index

Keyword Index

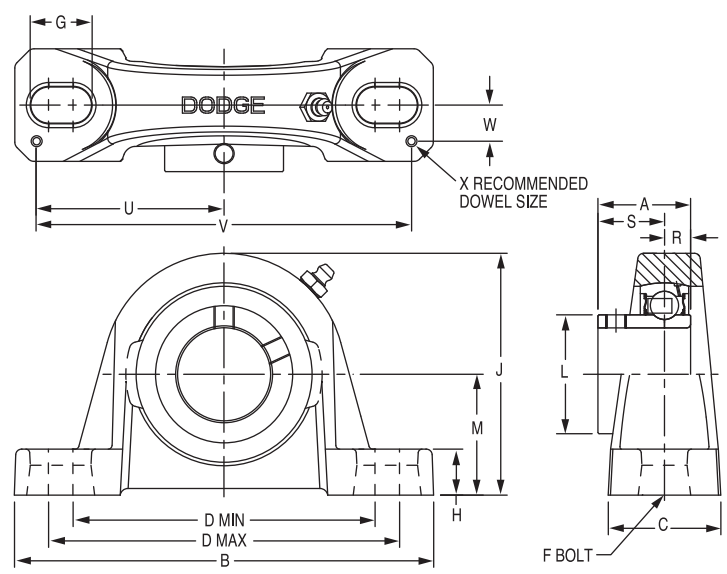
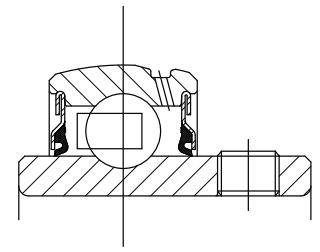
Series	Shaft Size	Weight lbs. kgs.	A	B	C	D		F Bolt Dia.	G	H	J	L	M	R	S	U	V	W	X	
						Min.	Max.													
207	1-1/4	4.5	1.71	6.50	1.75	4.68	5.44	1/2	0.94	0.71	3.75	1.84	1.88	0.67	1.04	2.91	5.82	0.56	0.12	
	1-3/8	4.3																		
	1-7/16 35mm	4.2 2.0	43.4	165.1	44.5	118.9	138.2	M12	23.9	18.0	95.3	46.7	47.8	17.0	26.4	73.9	147.8	14.2	3.0	
208	1-1/2	5.4	1.94	7.25	1.93	5.18	5.88	1/2	0.91	0.93	4.19	2.05	2.13	0.75	1.19	3.26	6.52	0.69	0.12	
	40mm	2.5	49.3	184.2	49.0	131.6	149.4	M12	23.1	23.6	106.4	52.1	54.1	19.1	30.2	82.8	165.6	17.5	3.0	
209	1-11/16	6.4	1.94	7.44	2.00	5.50	6.19	1/2	0.90	0.75	4.28	2.22	2.13	0.75	1.19	3.38	6.76	0.69	0.12	
	1-3/4 45mm	6.2 3.0	49.3	189.0	50.8	139.7	157.2	M12	22.9	19.1	108.7	56.4	54.1	19.1	30.2	85.9	171.7	17.5	3.0	
210	1-15/16	7.2	1.94	8.12	2.25	6.00	6.68	5/8	1.02	0.75	4.53	2.43	2.25	0.75	1.19	3.69	7.38	0.81	0.12	
	2 50mm	7.0 3.3	49.3	206.2	57.2	152.4	169.7	M16	25.9	19.1	115.1	61.7	57.2	19.1	30.2	93.7	187.5	20.6	3.0	
211	2	9.0	2.22	8.88	2.30	6.38	7.44	5/8	1.21	0.88	4.96	2.71	2.50	0.87	1.35	3.94	7.88	0.81	0.12	
	2-3/16 55mm	8.9 4.2	56.4	225.6	58.4	162.1	189.0	M16	30.7	22.4	126.0	68.8	63.5	22.1	34.3	100.1	200.2	20.6	3.0	

FEATURES/BENEFITS PAGE B8-2	HOW TO ORDER/NOMENCLATURE PAGE B4-5	EASY SELECTION PAGE B8-3	ACCESSORIES PAGE B8-26
--------------------------------	--	-----------------------------	---------------------------

SELECTION/DIMENSIONS



Setscrew VSC Ball Bearings VSCB INTERMEDIATE DUTY PILLOW BLOCKS



Lube Fitting
203 series - 1/4-28 tapered thread
204 series and larger - 1/8-27 NPT

Series	Shaft Size	Standard		No-Lube/Sealed for Life (-NL)	
		Part No.	Description	Part No.	Description
203 (VSC)	1/2	125500	P2B-VSC-008	@	P2B-VSC-008-NL
	5/8	125501	P2B-VSC-010	@	P2B-VSC-010-NL
	17mm	@	P2B-VSC-17M	@	P2B-VSC-17M-NL
204	3/4	123595	P2B-VSCB-012	050833	P2B-VSCB-012-NL
	20mm	@	P2B-VSCB-20M	@	P2B-VSCB-20M-NL
205	7/8	125508	P2B-VSCB-014	@	P2B-VSCB-014-NL
	15/16	125509	P2B-VSCB-015	@	P2B-VSCB-015-NL
	1	123596	P2B-VSCB-100	050828	P2B-VSCB-100-NL
	25mm	@	P2B-VSCB-25M	@	P2B-VSCB-25M-NL
206	1-1/8	125510	P2B-VSCB-102	@	P2B-VSCB-102-NL
	1-3/16	123597	P2B-VSCB-103	050829	P2B-VSCB-103-NL
	1-1/4	123605	P2B-VSCB-104S	@	P2B-VSCB-104S-NL
	30mm	@	P2B-VSCB-30M	@	P2B-VSCB-30M-NL
207	1-1/4	123598	P2B-VSCB-104	@	P2B-VSCB-104-NL
	1-3/8	125511	P2B-VSCB-106	@	P2B-VSCB-106-NL
	1-7/16	123599	P2B-VSCB-107	050830	P2B-VSCB-107-NL
	35mm	@	P2B-VSCB-35M	@	P2B-VSCB-35M-NL
208	1-1/2	123600	P2B-VSCB-108	@	P2B-VSCB-108-NL
	40mm	125690	P2B-VSCB-40M	@	P2B-VSCB-40M-NL
209	1-11/16	125512	P2B-VSCB-111	050848	P2B-VSCB-111-NL
	1-3/4	125507	P2B-VSCB-112	@	P2B-VSCB-112-NL
	45mm	@	P2B-VSCB-45M	068428	P2B-VSCB-45M-NL
210	1-15/16	123601	P2B-VSCB-115	@	P2B-VSCB-115-NL
	2	123602	P2B-VSCB-200	@	P2B-VSCB-200-NL
	50mm	@	P2B-VSCB-50M	@	P2B-VSCB-50M-NL
211	2	123607	P2B-VSCB-200L	@	P2B-VSCB-200L-NL
	2-3/16	123603	P2B-VSCB-203	050831	P2B-VSCB-203-NL
	55mm	@	P2B-VSCB-55M	@	P2B-VSCB-55M-NL

@ Assembled to order

FEATURES/BENEFITS PAGE B8-2	HOW TO ORDER/NOMENCLATURE PAGE B4-5	EASY SELECTION PAGE B8-3	ACCESSORIES PAGE B8-26
--------------------------------	--	-----------------------------	---------------------------



SELECTION/DIMENSIONS

Setscrew VSC Ball Bearings VSCB INTERMEDIATE DUTY PILLOW BLOCKS

Eccentric Collar Ball Bearing

Setscrew VSC Ball Bearing

Eccentric SXV Collar Ball Bearing

Take-Up Frames

Engineering

Part Number Index

Keyword Index

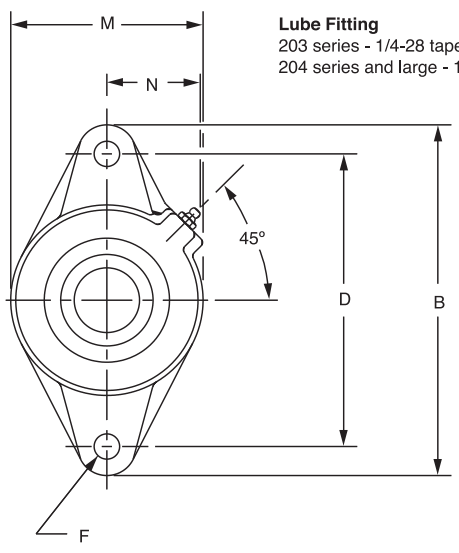
Series	Shaft Size	Weight lbs. kgs.	A	B	C	D		F Bolt Dia.	G	H	J	L	M	R	S	U	V	W	X	
						Min.	Max.													
203 (VSC)	1/2	1.1	1.00	5.00	1.20	3.25	4.06	3/8	0.84	0.47	2.14	0.96	1.06	0.36	0.64	2.25	4.50	0.38	0.12	
	5/8	1.0																		
	17mm	0.5	25.4	127.0	30.5	82.6	103.1	M10	21.3	11.9	54.4	24.4	26.9	9.1	16.3	57.2	114.3	9.7	3.0	
204	3/4	1.4	1.23	5.25	1.34	3.38	4.19	3/8	0.85	0.47	2.49	1.12	1.25	0.50	0.73	2.25	4.50	0.50	0.12	
	20mm	0.6	31.2	133.4	34.0	85.9	106.4	M10	21.6	11.9	63.2	28.4	31.8	12.7	18.5	57.2	114.3	12.7	3.0	
205	7/8	1.8	1.34	5.50	1.40	3.69	4.50	3/8	0.85	0.45	2.64	1.32	1.31	0.56	0.78	2.50	5.00	0.50	0.12	
	15/16	1.7																		
	1	1.6																		
206	25mm	0.8	34.0	139.7	35.6	93.7	114.3	M10	21.6	11.4	67.1	33.5	33.3	14.2	19.8	63.5	127.0	12.7	3.0	
	1-1/8	2.7	1.52	6.25	1.75	4.25	5.00	1/2	0.94	0.62	3.19	1.57	1.56	0.58	0.94	2.88	5.76	0.56	0.12	
	1-3/16	2.6																		
207	1-1/4	2.5																		
	30mm	1.2	38.6	158.8	44.5	108.0	127.0	M12	23.9	15.8	81.0	39.9	39.6	14.7	23.9	73.2	146.3	14.2	3.0	
	1-1/4	4.5	1.71	6.50	1.75	4.68	5.44	1/2	0.94	0.65	3.69	1.84	1.81	0.67	1.04	2.91	5.82	0.56	0.12	
208	1-3/8	4.3																		
	1-7/16	4.2																		
	35mm	2.0	43.4	165.1	44.5	118.9	138.2	M12	23.9	16.5	93.7	46.7	46.0	17.0	26.4	73.9	147.8	14.2	3.0	
209	1-1/2	5.4	1.94	7.25	1.93	5.18	5.88	1/2	0.91	0.75	4.00	2.05	1.94	0.75	1.19	3.26	6.52	0.69	0.12	
	40mm	2.5	49.3	184.2	49.0	131.6	149.4	M12	23.1	19.1	101.6	52.1	49.3	19.1	30.2	82.8	165.6	17.5	3.0	
210	1-11/16	6.4	1.94	7.44	2.00	5.50	6.19	1/2	0.90	0.69	4.21	2.22	2.06	0.75	1.19	3.38	6.76	0.69	0.12	
	1-3/4	6.2																		
	45mm	3.0	49.3	189.0	50.8	139.7	157.2	M12	22.9	17.5	106.9	56.4	52.3	19.1	30.2	85.9	171.7	17.5	3.0	
211	1-15/16	7.2	1.94	8.12	2.25	6.00	6.68	5/8	1.02	0.68	4.47	2.43	2.19	0.75	1.19	3.69	7.38	0.81	0.12	
	2	7.0																		
	50mm	3.3	49.3	206.2	57.2	152.4	169.7	M16	25.9	17.3	113.5	61.7	55.6	19.1	30.2	93.7	187.5	20.6	3.0	
211	2	9.0	2.22	8.88	2.30	6.38	7.44	5/8	1.21	0.81	4.90	2.71	2.44	0.87	1.35	3.94	7.88	0.81	0.12	
	2-3/16	8.9																		
	55mm	4.2	56.4	225.6	58.4	162.1	189.0	M16	30.7	20.6	124.5	68.8	62.0	22.1	34.3	100.1	200.2	20.6	3.0	

FEATURES/BENEFITS PAGE B8-2	HOW TO ORDER/NOMENCLATURE PAGE B4-5	EASY SELECTION PAGE B8-3	ACCESSORIES PAGE B8-26
--------------------------------	--	-----------------------------	---------------------------

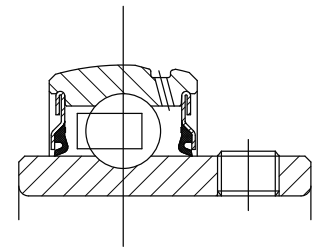
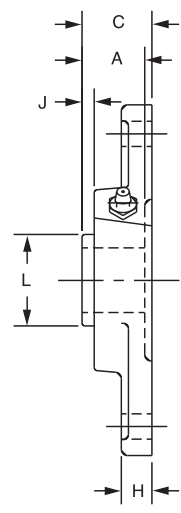
SELECTION/DIMENSIONS



Setscrew VSC Ball Bearings VSC INTERMEDIATE DUTY 2-BOLT FLANGE BEARINGS



Lube Fitting
203 series - 1/4-28 tapered thread
204 series and large - 1/8-27 NPT



Series	Shaft Size	Standard		No-Lube/Sealed for Life (-NL)	
		Part No.	Description	Part No.	Description
203	1/2	125516	F2B-VSC-008	@	F2B-VSC-008-NL
	5/8	125517	F2B-VSC-010	@	F2B-VSC-010-NL
	17mm	125703	F2B-VSC-17M	@	F2B-VSC-17M-NL
204	3/4	123610	F2B-VSC-012	057854	F2B-VSC-012-NL
	20mm	125704	F2B-VSC-20M	@	F2B-VSC-20M-NL
205	7/8	125518	F2B-VSC-014	@	F2B-VSC-014-NL
	15/16	125519	F2B-VSC-015	@	F2B-VSC-015-NL
	1	123611	F2B-VSC-100	050778	F2B-VSC-100-NL
206	25mm	125705	F2B-VSC-25M	@	F2B-VSC-25M-NL
	1-1/8	125520	F2B-VSC-102	@	F2B-VSC-102-NL
	1-3/16	123612	F2B-VSC-103	050840	F2B-VSC-103-NL
	1-1/4	123618	F2B-VSC-104S	051888	F2B-VSC-104S-NL
207	30mm	125752	F2B-VSC-30M	@	F2B-VSC-30M-NL
	1-1/4	123613	F2B-VSC-104	@	F2B-VSC-104-NL
	1-3/8	125521	F2B-VSC-106	049468	F2B-VSC-106-NL
	1-7/16	123614	F2B-VSC-107	051699	F2B-VSC-107-NL
208	35mm	125706	F2B-VSC-35M	@	F2B-VSC-35M-NL
	1-1/2	123615	F2B-VSC-108	@	F2B-VSC-108-NL
	40mm	125707	F2B-VSC-40M	@	F2B-VSC-40M-NL
209	1-11/16	125522	F2B-VSC-111	050842	F2B-VSC-111-NL
	1-3/4	125523	F2B-VSC-112	049892	F2B-VSC-112-NL
	45mm	125708	F2B-VSC-45M	@	F2B-VSC-45M-NL
210	1-15/16	123616	F2B-VSC-115	059811	F2B-VSC-115-NL
	2	123617	F2B-VSC-200	068716	F2B-VSC-200-NL
	50mm	125709	F2B-VSC-50M	@	F2B-VSC-50M-NL
211	2	123694	F2B-VSC-200L	@	F2B-VSC-200L-NL
	2-3/16	123619	F2B-VSC-203	@	F2B-VSC-203-NL
	55mm	125710	F2B-VSC-55M	@	F2B-VSC-55M-NL

@Assembled to order

FEATURES/BENEFITS PAGE B8-2	HOW TO ORDER/NOMENCLATURE PAGE B4-5	EASY SELECTION PAGE B8-3	ACCESSORIES PAGE B8-26
--------------------------------	--	-----------------------------	---------------------------

SELECTION/DIMENSIONS



Setscrew VSC Ball Bearings VSC INTERMEDIATE DUTY 2-BOLT FLANGE BEARINGS

Eccentric Collar Ball Bearing

Setscrew VSC Ball Bearing

Eccentric SXV Collar Ball Bearing

Series	Shaft Size	Weight lbs. kg.	A	B	C	D	F Bolt Dia.	H	J	L	M	N
203	1/2	0.8	1.00	3.88	1.17	3.00	3/8	0.38	0.32	0.96	2.13	1.13
	5/8	0.7										
	17mm	0.36	25.4	98.6	29.7	76.2	M10	9.7	8.1	24.4	54.1	28.7
204	3/4	1.4	1.23	4.41	1.34	3.53	3/8	0.50	0.36	1.12	2.38	1.50
	20mm	0.63	31.2	112.0	34.0	89.7	M10	12.7	9.1	28.4	60.5	38.1
205	7/8	1.6	1.34	4.88	1.37	3.89	7/16	0.52	0.42	1.32	2.75	1.44
	15/16	1.5										
	1	1.4										
206	25mm	0.67	34.0	124.0	34.8	98.8	M10	13.2	10.7	33.5	69.9	36.6
	1-1/8	2.2	1.52	5.56	1.56	4.59	7/16	0.50	0.49	1.57	3.13	1.56
	1-3/16	2.1										
207	1-1/4	2.0										
	30mm	0.94	38.6	141.2	39.6	116.6	M10	12.7	12.4	39.9	79.5	39.6
	1-1/4	3.5	1.71	6.13	1.75	5.12	1/2	0.56	0.53	1.84	3.75	1.84
208	1-3/8	3.3										
	1-7/16	3.2										
	35mm	1.43	43.4	155.7	44.5	130.0	M12	14.2	13.5	46.7	95.3	46.7
209	1-1/2	4.1	1.94	6.75	1.98	5.66	1/2	0.56	0.63	2.05	4.13	1.83
	40mm	1.83	49.3	171.5	50.3	143.8	M12	14.2	16.0	52.1	104.9	46.5
210	1-11/16	5.0	1.94	7.06	1.99	5.84	1/2	0.63	0.59	2.22	4.38	1.91
	1-3/4	4.9										
	45mm	2.23	49.3	179.3	50.5	148.3	M14	16.0	15.0	56.4	111.3	48.5
211	1-15/16	5.4	1.94	7.44	2.02	6.19	1/2	0.63	0.55	2.43	4.56	2.03
	2	5.2										
	50mm	2.41	49.3	189.0	51.3	157.2	M16	16.0	14.0	61.7	115.8	51.6
211	2	6.7	2.22	8.63	2.28	7.25	5/8	0.67	0.68	2.71	5.25	2.27
	2-3/16	6.5										
	55mm	2.99	56.4	219.2	57.9	184.2	M16	17.0	17.3	68.8	133.4	57.7

Take-Up Frames

Engineering

Part Number Index

Keyword Index

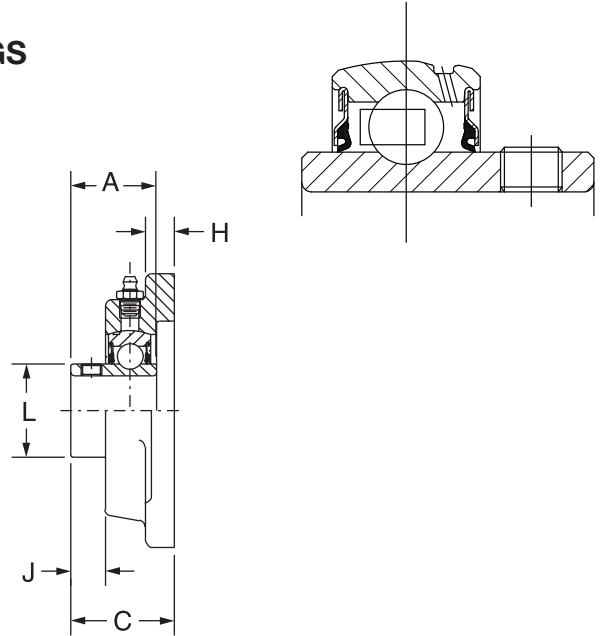
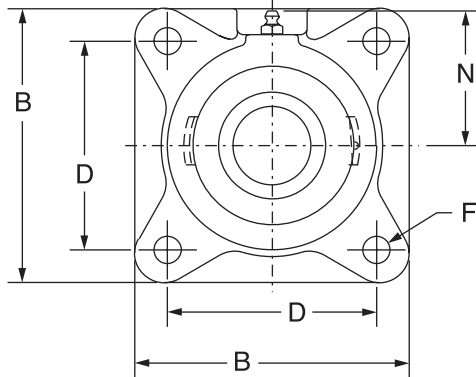
FEATURES/BENEFITS PAGE B8-2	HOW TO ORDER/NOMENCLATURE PAGE B4-5	EASY SELECTION PAGE B8-3	ACCESSORIES PAGE B8-26
--------------------------------	--	-----------------------------	---------------------------

SELECTION/DIMENSIONS



Setscrew VSC Ball Bearings VSC INTERMEDIATE DUTY 4-BOLT FLANGE BEARINGS

Lube Fitting Thread Size:
203 - 204 series - 1/4-28 tapered thread
207 - 207 series - 1/8-27 NPT



Series	Shaft Size	Standard		No-Lube/Sealed for Life (-NL)	
		Part No.	Description	Part No.	Description
203	1/2	125524	F4B-VSC-008	@	F4B-VSC-008-NL
	5/8	125525	F4B-VSC-010	@	F4B-VSC-010-NL
	17mm	125694	F4B-VSC-17M	@	F4B-VSC-17MNL
204	3/4	123625	F4B-VSC-012	@	F4B-VSC-012-NL
	20mm	125695	F4B-VSC-20M	@	F4B-VSC-20M-NL
205	7/8	125526	F4B-VSC-014	@	F4B-VSC-014-NL
	15/16	125527	F4B-VSC-015	@	F4B-VSC-015-NL
	1	123626	F4B-VSC-100	062509	F4B-VSC-100-NL
	25mm	125696	F4B-VSC-25M	@	F4B-VSC-25M-NL
206	1-1/8	125528	F4B-VSC-102	@	F4B-VSC-102-NL
	1-3/16	123627	F4B-VSC-103	@	F4B-VSC-103-NL
	1-1/4	123634	F4B-VSC-104S	@	F4B-VSC-104S-NL
	30mm	125697	F4B-VSC-30M	@	F4B-VSC-30M-NL
207	1-1/4	123628	F4B-VSC-104	051891	F4B-VSC-104-NL
	1-3/8	125529	F4B-VSC-106	@	F4B-VSC-106-NL
	1-7/16	123629	F4B-VSC-107	050844	F4B-VSC-107-NL
	35mm	125698	F4B-VSC-40M	@	F4B-VSC-40M-NL
208	1-1/2	123630	F4B-VSC-108	051892	F4B-VSC-108-NL
	40mm	125699	F4B-VSC-40M	@	F4B-VSC-40M-NL
209	1-11/16	125530	F4B-VSC-111	050836	F4B-VSC-111-NL
	1-3/4	125531	F4B-VSC-112	@	F4B-VSC-112-NL
	45mm	125700	F4B-VSC-45M	@	F4B-VSC-45M-NL
210	1-15/16	123631	F4B-VSC-115	@	F4B-VSC-115-NL
	2	123632	F4B-VSC-200	068716	F4B-VSC-200-NL
	50mm	125701	F4B-VSC-50M	@	F4B-VSC-50M-NL
211	2	123652	F4B-VSC-200L	@	F4B-VSC-200L-NL
	2-3/16	123633	F4B-VSC-203	068809	F4B-VSC-203-NL
	55mm	125702	F4B-VSC-55M	@	F4B-VSC-55M-NL

@Assembled to order

FEATURES/BENEFITS PAGE B8-2	HOW TO ORDER/NOMENCLATURE PAGE B4-5	EASY SELECTION PAGE B8-3	ACCESSORIES PAGE B8-26
--------------------------------	--	-----------------------------	---------------------------

SELECTION/DIMENSIONS



Setscrew VSC Ball Bearings VSC INTERMEDIATE DUTY 4-BOLT FLANGE BEARINGS

Eccentric Collar Ball Bearing

Setscrew VSC Ball Bearing

Eccentric SXV Collar Ball Bearing

Take-Up Frames

Engineering

Part Number Index

Keyword Index

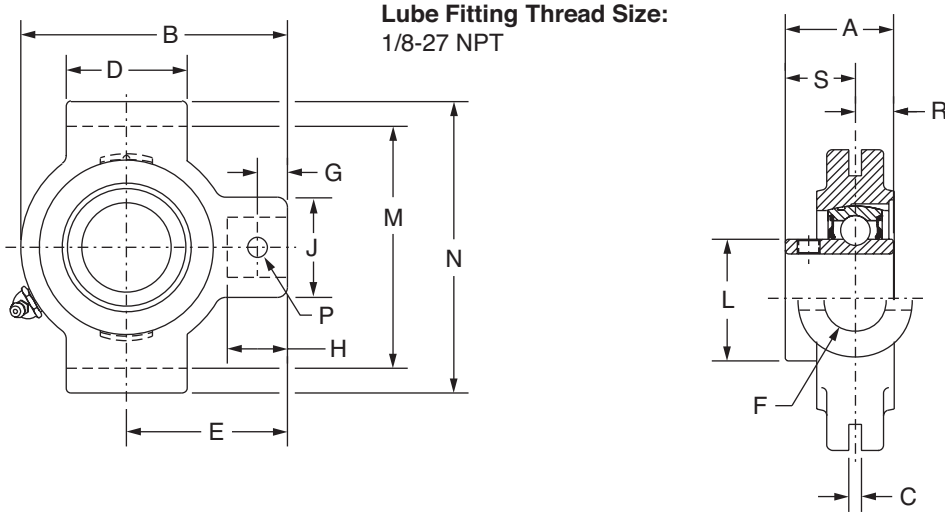
Series	Shaft Size	Weight lbs. kgs.	A	B	C	D	F Bolt Dia.	H	J	L	N
203	1/2	1.08	1.00	3.00	1.17	2.13	3/8	0.44	0.32	0.96	1.69
	5/8	1.00									
	17mm	0.48	25.4	76.2	29.7	54.1	M10	11.2	8.1	24.4	42.9
204	3/4	1.50	1.23	3.38	1.34	2.50	3/8	0.44	0.36	1.12	1.94
	20mm	0.67	31.2	85.9	34.0	63.5	M10	11.2	9.1	28.4	49.3
205	7/8	1.98	1.34	3.75	1.37	2.75	7/16	0.50	0.42	1.32	2.06
	15/16	1.86									
	1	1.62									
206	25mm	0.84	34.0	95.3	34.8	69.9	M10	12.7	10.7	33.5	52.3
	1-1/8	2.78	1.52	4.25	1.56	3.25	7/16	0.50	0.49	1.57	2.19
	1-3/16	2.68									
207	1-1/4	2.50									
	30mm	1.19	38.6	108.0	39.6	82.6	M10	12.7	12.4	39.9	55.6
	1-1/4	3.50	1.71	4.75	1.75	3.63	1/2	0.56	0.53	1.84	2.44
208	1-3/8	2.88									
	1-7/16	2.50									
	35mm	1.28	43.4	120.7	44.5	92.2	M12	14.2	13.5	46.7	62.0
209	1-1/2	4.50	1.94	5.13	1.98	4.00	1/2	0.56	0.63	2.05	2.38
	40mm	2.00	49.3	130.3	50.3	101.6	M12	14.2	16.0	52.1	60.5
210	1-11/16	5.45	1.94	5.38	1.99	4.13	1/2	0.63	0.59	2.22	2.75
	1-3/4	5.35									
	45mm	2.42	49.3	136.7	50.5	104.9	M12	16.0	15.0	56.4	69.9
211	1-15/16	6.25	1.94	5.63	2.02	4.38	1/2	0.63	0.55	2.43	2.88
	2	6.00									
	50mm	2.33	49.3	143.0	51.3	111.3	M12	16.0	14.0	61.7	73.2
211	2	9.28	2.22	6.50	2.28	5.13	5/8	0.69	0.68	2.71	3.25
	2-3/16	9.00									
	55mm	4.12	56.4	165.1	57.9	130.3	M16	17.5	17.3	68.8	82.6

FEATURES/BENEFITS PAGE B8-2	HOW TO ORDER/NOMENCLATURE PAGE B4-5	EASY SELECTION PAGE B8-3	ACCESSORIES PAGE B8-26
--------------------------------	--	-----------------------------	---------------------------

SELECTION/DIMENSIONS



Setscrew VSC Ball Bearings VSC INTERMEDIATE DUTY NARROW SLOT TAKE-UP BEARINGS



Series	Shaft Size	Part No.	Description
204	3/4	125533	NSTU-VSC-012
	20mm	@	NSTU-VSC-20M
205	7/8	125534	NSTU-VSC-014
	15/16	125535	NSTU-VSC-015
	1	125536	NSTU-VSC-100
	25mm	@	NSTU-VSC-25M
206	1-1/8	125537	NSTU-VSC-102
	1-3/16	125538	NSTU-VSC-103
	1-1/4	125540	NSTU-VSC-104S
	30mm	@	NSTU-VSC-30M
207	1-1/4	125539	NSTU-VSC-104
	1-3/8	125541	NSTU-VSC-106
	1-7/16	123680	NSTU-VSC-107
	35mm	@	NSTU-VSC-35M
208	1-1/2	125542	NSTU-VSC-108
	40mm	@	NSTU-VSC-40M
209	1-11/16	125543	NSTU-VSC-111
	1-3/4	125544	NSTU-VSC-112
	45mm	@	NSTU-VSC-45M
210	1-15/16	125545	NSTU-VSC-115
	2	125546	NSTU-VSC-200
	50mm	@	NSTU-VSC-50M
211	2	125547	NSTU-VSC-200
	2-3/16	125548	NSTU-VSC-203
	55mm	@	NSTU-VSC-55M

@ Assembled to order

FEATURES/BENEFITS
PAGE B8-2

HOW TO ORDER/NOMENCLATURE
PAGE B4-5

EASY SELECTION
PAGE B8-3

ACCESSORIES
PAGE B8-26

SELECTION/DIMENSIONS



Setscrew VSC Ball Bearings VSC INTERMEDIATE DUTY NARROW SLOT TAKE-UP BEARINGS

Eccentric Collar Ball Bearing

Setscrew VSC Ball Bearing

Eccentric SXV Collar Ball Bearing

Take-Up Frames

Engineering

Part Number Index

Keyword Index

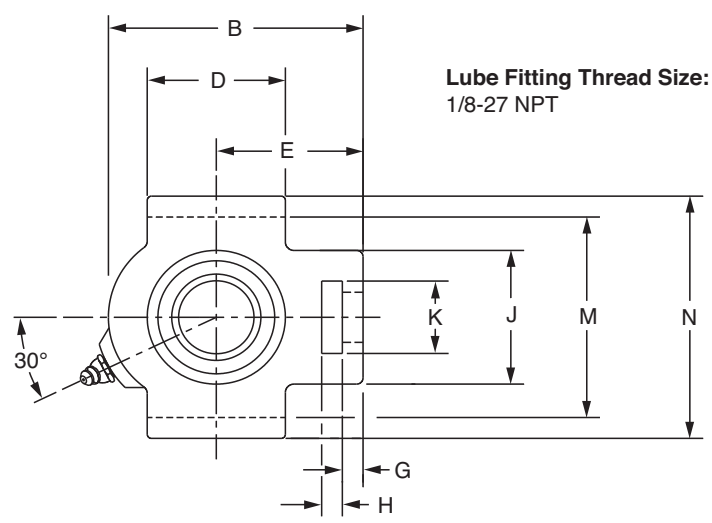
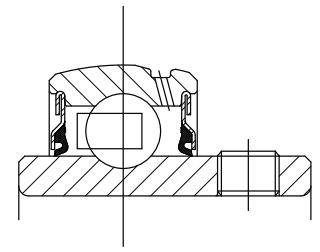
Series	Shaft Size	Weight lbs. kgs.	Take-Up Frame No. Ref.	A	B	C	D	E	F Screw Dia.	G	H	J	L	M	N	P Pin Dia.	R	S
204	3/4	1.25	NS210	1.23	3.50	0.250	1.50	2.19	3/4	0.44	0.88	1.38	1.12	2.635/2.605	3.13	0.32	0.50	0.73
	20mm	0.58		31.2	88.9	6.35	38.1	55.6	19.1	11.2	22.4	35.1	28.4	66.93/66.17	79.5	8.1	12.7	18.5
205	7/8	1.68	NS210	1.34	3.56	0.250	1.50	2.19	3/4	0.44	0.88	1.38	1.32	2.635/2.605	3.13	0.32	0.56	0.78
	15/16	1.58		34.0	90.4	6.35	38.1	55.6	19.1	11.2	22.4	35.1	33.5	66.93/66.17	79.5	8.1	14.2	19.8
	1	1.48		34.0	90.4	6.35	38.1	55.6	19.1	11.2	22.4	35.1	33.5	66.93/66.17	79.5	8.1	14.2	19.8
206	25mm	0.73	NS308	1.52	4.31	0.250	2.50	2.69	3/4	0.50	0.94	1.38	1.57	3.510/3.480	4.13	0.32	0.58	0.94
	1-1/8	2.78		38.6	109.5	6.35	63.5	68.3	19.1	12.7	23.9	35.1	39.9	89.15/88.39	104.9	8.1	14.7	23.9
	1-3/16	2.58		38.6	109.5	6.35	63.5	68.3	19.1	12.7	23.9	35.1	39.9	89.15/88.39	104.9	8.1	14.7	23.9
207	1-1/4	2.48	NS308	1.71	4.50	0.250	2.50	2.69	3/4	0.50	0.94	1.38	1.84	3.510/3.480	4.13	0.32	0.67	1.04
	30mm	1.19		43.4	114.3	6.35	63.5	68.3	19.1	12.7	23.9	35.1	46.7	89.15/88.39	104.9	8.1	17.0	26.4
	1-3/8	2.58		43.4	114.3	6.35	63.5	68.3	19.1	12.7	23.9	35.1	46.7	89.15/88.39	104.9	8.1	17.0	26.4
208	1-7/16	2.48	NS400	1.94	5.38	0.313	3.00	3.25	7/8	0.66	1.16	1.63	2.05	4.015/3.985	4.75	0.38	0.75	1.19
	35mm	1.19		49.3	136.7	7.95	76.2	82.6	22.2	16.8	29.5	41.4	52.1	101.98/101.22	120.7	9.7	19.1	30.2
209	1-1/2	4.68	NS400	1.94	5.44	0.313	3.00	3.25	7/8	0.72	1.22	1.63	2.22	4.015/3.985	4.75	0.38	0.75	1.19
	40mm	2.16		49.3	138.2	7.95	76.2	82.6	22.2	18.3	31.0	41.4	56.4	101.98/101.22	120.7	9.7	19.1	30.2
210	1-3/4	4.68	NS400	1.94	5.50	0.313	3.00	3.25	7/8	0.59	1.09	1.63	2.43	4.015/3.985	4.75	0.38	0.75	1.19
	45mm	2.20		49.3	139.7	7.95	76.2	82.6	22.2	15.0	27.7	41.4	61.7	101.98/101.22	120.7	9.7	19.1	30.2
211	1-15/16	4.88	NS400	2.22	6.13	0.313	3.50	3.63	1	0.69	1.28	1.75	2.71	4.448/4.418	5.38	0.44	0.87	1.35
	2	4.78		56.4	155.7	7.95	88.9	92.2	25.4	17.5	32.5	44.5	68.8	112.98/112.22	136.7	11.2	22.1	34.3
211	50mm	2.25	NS407	2.22	6.13	0.313	3.50	3.63	1	0.69	1.28	1.75	2.71	4.448/4.418	5.38	0.44	0.87	1.35
	2	6.78		56.4	155.7	7.95	88.9	92.2	25.4	17.5	32.5	44.5	68.8	112.98/112.22	136.7	11.2	22.1	34.3
211	2-3/16	6.58	NS407	56.4	155.7	7.95	88.9	92.2	25.4	17.5	32.5	44.5	68.8	112.98/112.22	136.7	11.2	22.1	34.3
	55mm	3.13		56.4	155.7	7.95	88.9	92.2	25.4	17.5	32.5	44.5	68.8	112.98/112.22	136.7	11.2	22.1	34.3

FEATURES/BENEFITS PAGE B8-2	HOW TO ORDER/NOMENCLATURE PAGE B4-5	EASY SELECTION PAGE B8-3	ACCESSORIES PAGE B8-26
--------------------------------	--	-----------------------------	---------------------------

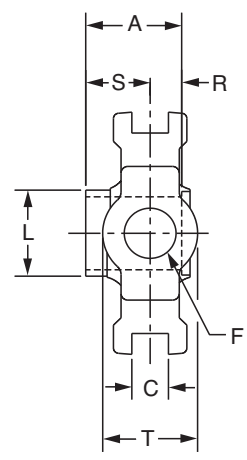
SELECTION/DIMENSIONS



Setscrew VSC Ball Bearings VSC INTERMEDIATE DUTY WIDE SLOT TAKE-UP BEARINGS



Lube Fitting Thread Size:
1/8-27 NPT



Series	Shaft Size	Part No.	Description
204	3/4	125549	WSTU-VSC-012
	20mm	@	WSTU-VSC-20M
205	7/8	125550	WSTU-VSC-014
	15/16	125551	WSTU-VSC-015
	1	125552	WSTU-VSC-100
	25mm	@	WSTU-VSC-25M
206	1-1/8	125553	WSTU-VSC-102
	1-3/16	125554	WSTU-VSC-103
	1-1/4	125556	WSTU-VSC-104S
	30mm	@	WSTU-VSC-30M
207	1-1/4	125555	WSTU-VSC-104
	1-3/8	125557	WSTU-VSC-106
	1-7/16	125558	WSTU-VSC-107
	35mm	@	WSTU-VSC-35M

@ Assembled to order

FEATURES/BENEFITS PAGE B8-2	HOW TO ORDER/NOMENCLATURE PAGE B4-5	EASY SELECTION PAGE B8-3	ACCESSORIES PAGE B8-26
--------------------------------	--	-----------------------------	---------------------------

SELECTION/DIMENSIONS



Setscrew VSC Ball Bearings VSC INTERMEDIATE DUTY WIDE SLOT TAKE-UP BEARINGS

Eccentric Collar Ball Bearing

Setscrew VSC Ball Bearing

Eccentric SXV Collar Ball Bearing

Take-Up Frames

Engineering

Part Number Index

Keyword Index

Series	Shaft Size	Weight lbs. kg.	Take-Up Frame No. Ref.	A	B	C	D	E	F Screw Dia.	G
204	3/4	1.9	WS300	1.23	3.69	0.531	2.00	2.38	5/8	0.38
	20mm	0.87		31.2	93.7	13.49	50.8	60.5	15.9	9.7
205	7/8	2.2	WS300	1.34	3.81	0.531	2.00	2.44	5/8	0.38
	15/16	2.1		34.0	96.8	13.49	50.8	62.0	15.9	9.7
	1	2.0		25mm	0.96					
206	1-1/8	3.0	WS308	1.52	4.38	0.531	2.25	2.75	3/4	0.38
	1-3/16	2.9		38.6	111.3	13.49	57.2	69.9	19.1	9.7
	1-1/4	2.8		30mm	1.33					
207	1-1/4	3.8	WS308	1.71	4.87	0.531	2.50	3.06	3/4	0.50
	1-3/8	3.6		43.4	123.7	13.49	63.5	77.7	19.1	12.7
	1-7/16	3.5		35mm	1.65					

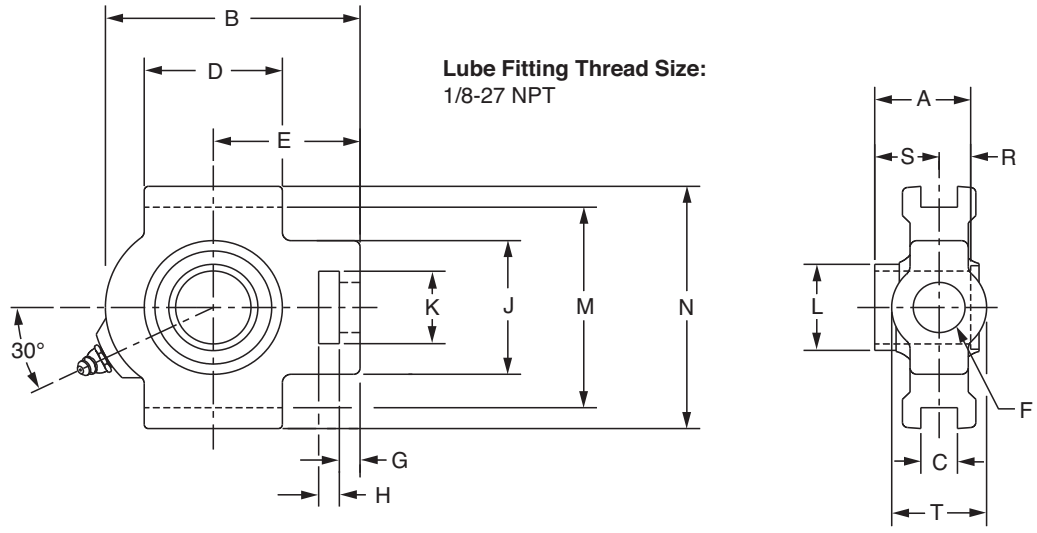
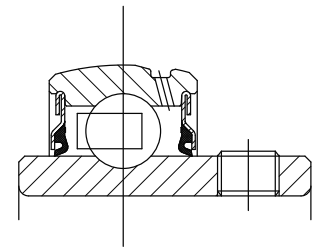
Series	Shaft Size	H	J	K	L	M	N	R	S	T
204	3/4	0.63	2.00	1.25	1.12	2.985/3.015	3.63	0.50	0.73	1.38
	20mm	16.0	50.8	31.8	28.4	75.82/76.58	92.2	12.7	18.5	35.1
205	7/8	0.63	2.00	1.31	1.32	2.985/3.015	3.63	0.56	0.78	1.38
	15/16									
	1	16.0	50.8	33.3	33.5	75.82/76.58	92.2	14.2	19.8	35.1
206	1-1/8	0.63	2.19	1.44	1.57	3.480/3.510	4.13	0.58	0.94	1.63
	1-3/16									
	1-1/4	16.0	55.6	36.6	39.9	88.39/89.15	104.9	14.7	23.9	41.3
207	1-1/4	0.63	2.50	1.44	1.84	3.480/3.510	4.13	0.67	1.04	1.63
	1-3/8									
	1-7/16	16.0	63.5	36.6	46.7	88.39/89.15	104.9	17.0	26.4	41.3

FEATURES/BENEFITS PAGE B8-2	HOW TO ORDER/NOMENCLATURE PAGE B4-5	EASY SELECTION PAGE B8-3	ACCESSORIES PAGE B8-26
--------------------------------	--	-----------------------------	---------------------------

SELECTION/DIMENSIONS



Set screw VSC Ball Bearings VSC INTERMEDIATE DUTY WIDE SLOT TAKE-UP BEARINGS



Series	Shaft Size	Part No.	Description
208	1-1/2	125559	WSTU-VSC-108
	40mm	@	WSTU-VSC-40M
209	1-11/16	125560	WSTU-VSC-111
	1-3/4	125561	WSTU-VSC-112
210	45mm	@	WSTU-VSC-45M
	1-15/16	125562	WSTU-VSC-115
211	2	125563	WSTU-VSC-200
	50mm	@	WSTU-VSC-50M
211	2	125564	WSTU-VSC-200L
	2-3/16	125565	WSTU-VSC-203
	55mm	@	WSTU-VSC-55M

@ Assembled to order

FEATURES/BENEFITS PAGE B8-2	HOW TO ORDER/NOMENCLATURE PAGE B4-5	EASY SELECTION PAGE B8-3	ACCESSORIES PAGE B8-26
--------------------------------	--	-----------------------------	---------------------------



SELECTION/DIMENSIONS

Setscrew VSC Ball Bearings VSC INTERMEDIATE DUTY WIDE SLOT TAKE-UP BEARINGS

Eccentric Collar Ball Bearing

Setscrew VSC Ball Bearing

Eccentric SXV Collar Ball Bearing

Take-Up Frames

Engineering

Part Number Index

Keyword Index

Series	Shaft Size	Weight lbs. kg.	Take-Up Frame No. Ref.	A	B	C	D	E	F Screw Dia.	G
208	1-1/2	6.1	WS400	1.94	5.69	0.688	3.25	3.50	1	0.63
	40mm	2.80		49.3	144.5	17.48	82.6	88.9	25.4	16.0
209	1-11/16	6.0	WS400	1.94	5.63	0.688	3.25	3.44	1	0.63
	1-3/4	5.9		49.3	143.0	17.48	82.6	87.4	25.4	16.0
210	1-15/16	6.4	WS400	1.94	5.82	0.688	3.38	3.56	1	0.63
	2	6.2		49.3	147.8	17.48	85.9	90.4	25.4	16.0
211	50mm	2.94	WS502	2.22	6.69	1.063	3.75	4.19	1-1/4	0.75
	2	10.1		56.4	169.9	27.00	95.3	106.4	31.8	19.1
211	2-3/16	10.0								
	55mm	4.65								

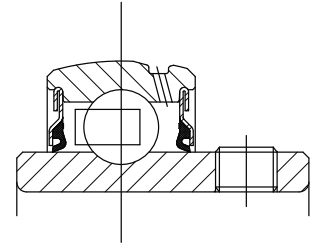
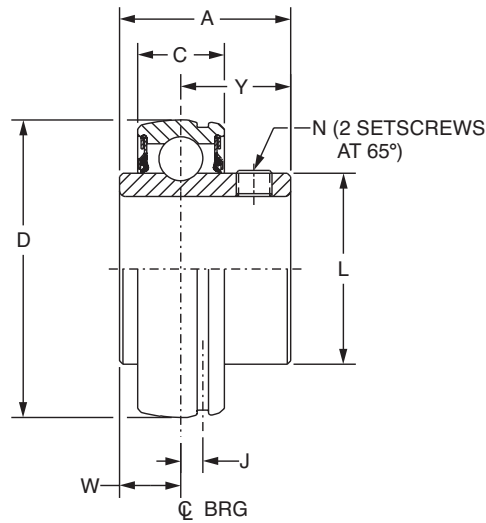
Series	Shaft Size	H	J	K	L	M	N	R	S	T
208	1-1/2	0.75	3.25	1.94	2.05	3.985/4.015	4.50	0.75	1.19	1.94
	40mm	19.1	82.6	49.3	52.1	101.22/101.98	114.3	19.1	30.2	49.3
209	1-11/16	0.75	3.25	1.94	2.22	3.985/4.015	4.75	0.75	1.19	1.94
	1-3/4	19.1	82.6	49.3	56.4	101.22/101.98	120.7	19.1	30.2	49.3
210	45mm	19.1	82.6	49.3	56.4	101.22/101.98	120.7	19.1	30.2	49.3
	1-15/16	0.75	3.25	1.94	2.43	3.985/4.015	4.75	0.75	1.19	1.94
210	2	19.1	82.6	49.3	61.7	101.22/101.98	120.7	19.1	30.2	49.3
	50mm	19.1	82.6	49.3	61.7	101.22/101.98	120.7	19.1	30.2	49.3
211	2	1.00	4.00	2.50	2.71	5.110/5.140	5.88	0.87	1.35	2.50
	2-3/16	25.4	101.6	63.5	68.8	129.79/130.56	149.4	22.1	34.3	63.5
211	55mm	25.4	101.6	63.5	68.8	129.79/130.56	149.4	22.1	34.3	63.5

FEATURES/BENEFITS PAGE B8-2	HOW TO ORDER/NOMENCLATURE PAGE B4-5	EASY SELECTION PAGE B8-3	ACCESSORIES PAGE B8-26
--------------------------------	--	-----------------------------	---------------------------

SELECTION/DIMENSIONS



Setscrew VSC Ball Bearings VSC INTERMEDIATE DUTY BEARING INSERTS



Series	Shaft Size	Part No.	Description
203	1/2	389923	INS-VSC-008
	5/8	389924	INS-VSC-010
	17mm	125636	INS-VSC-17M
204	3/4	389925	INS-VSC-012
	20mm	125637	INS-VSC-20M
205	7/8	389936	INS-VSC-014
	15/16	389937	INS-VSC-015
	1	389926	INS-VSC-100
	25mm	125638	INS-VSC-25M
206	1-1/8	389938	INS-VSC-102
	1-3/16	389927	INS-VSC-103
	1-1/4	389934	INS-VSC-104S
	30mm	123235	INS-VSC-30M
207	1-1/4	389928	INS-VSC-104
	1-3/8	389939	INS-VSC-106
	1-7/16	389929	INS-VSC-107
	35mm	125639	INS-VSC-35M
208	1-1/2	389930	INS-VSC-108
	40mm	125640	INS-VSC-40M
209	1-11/16	389940	INS-VSC-111
	1-3/4	389941	INS-VSC-112
	45mm	125641	INS-VSC-45M
210	1-15/16	389931	INS-VSC-115
	2	389932	INS-VSC-200
	50mm	125642	INS-VSC-50M
211	2	389935	INS-VSC-200L
	2-3/16	389933	INS-VSC-203
	55mm	125643	INS-VSC-55M

SELECTION/DIMENSIONS



Setscrew VSC Ball Bearings VSC INTERMEDIATE DUTY BEARING INSERTS

Eccentric Collar Ball Bearing

Setscrew VSC Ball Bearing

Eccentric SXV Collar Ball Bearing

Take-Up Frames

Engineering

Part Number Index

Keyword Index

Series	Shaft Size	Weight lbs. kg.	A	C	D	J	L	N	W	Y
203	1/2	0.23	1.00	0.51	1.5748	0.15	0.96	10-32	0.36	0.64
	5/8	0.21								
	17mm	0.10	25.4	13.0	40.000	3.8	24.4	M5x0.8	9.1	16.3
204	3/4	0.25	1.23	0.58	1.8504	0.15	1.12	1/4-28	0.50	0.73
	20mm	0.11	31.2	14.7	47.000	3.8	28.4	M6x1	12.7	18.5
205	7/8	0.41	1.34	0.59	2.0472	0.16	1.32	1/4-28	0.56	0.78
	15/16	0.38								
	1 25mm	0.25 0.17	34.0	15.0	52.000	4.1	33.5	M6x1	14.2	19.8
206	1-1/8	0.61	1.52	0.69	2.4409	0.16	1.57	5/16-24	0.58	0.94
	1-3/16	0.58								
	1-1/4	0.56								
	30mm	0.25	38.6	17.5	62.000	4.1	39.9	M8x1.25	14.7	23.9
207	1-1/4	0.92	1.71	0.75	2.8346	0.20	1.84	5/16-24	0.67	1.04
	1-3/8	0.88								
	1-7/16	0.75								
	35mm	0.38	43.4	19.1	72.000	5.1	46.7	M8x1.25	17.0	26.4
208	1-1/2	1.20	1.94	0.87	3.1496	0.22	2.05	5/16-24	0.75	1.19
	40mm	0.52	49.3	22.1	80.000	5.6	52.1	M8x1.25	19.1	30.2
209	1-11/16	1.41	1.94	0.87	3.3465	0.25	2.22	5/16-24	0.75	1.19
	1-3/4	1.34								
	45mm	0.61	49.3	22.1	85.000	6.4	56.4	M8x1.25	19.1	30.2
210	1-15/16	1.46	1.94	0.87	3.5433	0.25	2.43	3/8-24	0.75	1.19
	2 50mm	1.37 0.63	49.3	22.1	90.000	6.4	61.7	M10x1.5	19.1	30.2
211	2	2.24	2.22	0.94	3.9370	0.25	2.71	3/8-24	0.87	1.35
	2-3/16 55mm	1.95 0.97	56.4	23.9	100.000	6.4	68.8	M10x1.5	22.1	34.3

FEATURES/BENEFITS PAGE B8-2	HOW TO ORDER/NOMENCLATURE PAGE B4-5	EASY SELECTION PAGE B8-3	ACCESSORIES PAGE B8-26
--------------------------------	--	-----------------------------	---------------------------



Setscrew VSC Ball Bearings

LUBRICANTS

DODGE ball bearings are factory lubricated with a lithium complex base lubricant. For applications where extreme ambient temperatures or speeds are anticipated or environmental considerations require a different lubricant, DODGE has a wide variety of lubricants available. Special lubricant options usually require set-up charges and premiums.

SEALS

The PROGUARD PLUS seal is a highly effective positive contact, land riding seal with flingers pressed on to each side of the inner ring offering added protection from wash down or extreme contamination. For high speeds or where seal drag would be an impediment, an all metallic labyrinth seal is available.

AIR HANDLING

Industrial fans and blowers generally operate at high speeds with bearing requirements of long life and quiet operation. Dodge stocks SC, and SCM Air Handling Pillow Blocks and flange bearings that are specifically designed to meet the requirements of the air handling industry. These bearings are 100% noise tested, and have an air handling fit for long life and quiet operation. These bearings are recommended for fan and blower applications. Sizes and housing configurations not listed can be supplied on a made to order basis.

OTHER MODIFICATIONS

For applications requiring modifications not listed, we encourage you to contact our Customer Order Engineering Department at (864) 284-5700 or fax (864) 281-2317.

FEATURES/BENEFITS PAGE B8-2	HOW TO ORDER/NOMENCLATURE PAGE B4-5	EASY SELECTION PAGE B8-3	SELECTION/DIMENSIONS PAGE B8-8
--------------------------------	--	-----------------------------	-----------------------------------