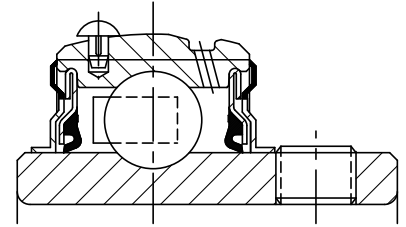
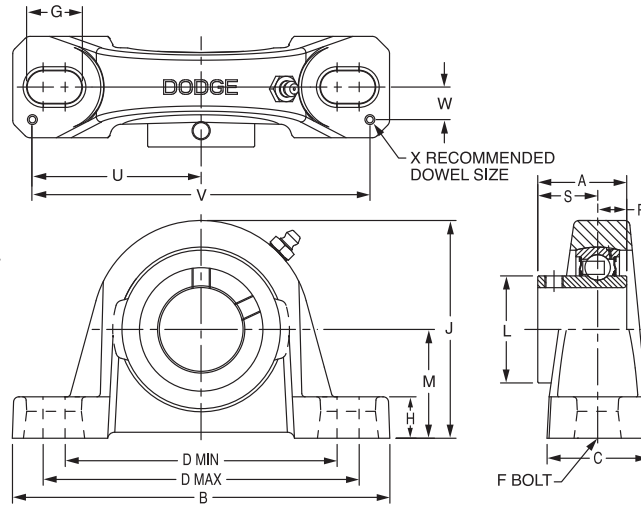


SELECTION/DIMENSIONS



Setscrew Ball Bearings SC AND SCU NORMAL DUTY PILLOW BLOCKS



Lube Fitting
203 series - 1/4-28 tapered thread
204 series and larger - 1/8-27 NPT

Series	Shaft Size	Standard		No-Lube/Seal for Life (-NL)	
		Part No.	Description	Part No.	Description
203	1/2	123830	P2B-SC-008	123932	P2B-SC-008-NL
	5/8	123831	P2B-SC-010	126500	P2B-SC-010-NL
	17mm	053170	P2B-SC-17M	@	P2B-SC-17M-NL
203 (SCU)	1/2	123753	P2B-SCU-008	@	P2B-SCU-008-NL
	5/8	123754	P2B-SCU-010	@	P2B-SCU-010-NL
	17mm	125850	P2B-SCU-17M	@	P2B-SCU-17M-NL
204	1/2	123835	P2B-SC-008L	052101	P2B-SC-008L-NL
	5/8	123836	P2B-SC-010L	@	P2B-SC-010L-NL
	3/4	123803	P2B-SC-012	052012	P2B-SC-012-NL
	20mm	125851	P2B-SC-20M	068372	P2B-SC-20M-NL
205	7/8	123804	P2B-SC-014	126502	P2B-SC-014-NL
	15/16	123805	P2B-SC-015	126503	P2B-SC-015-NL
	1	123806	P2B-SC-100	123824	P2B-SC-100-NL
	25mm	125852	P2B-SC-25M	056744	P2B-SC-25M-NL
206	1-1/16	123807	P2B-SC-101	126504	P2B-SC-101-NL
	1-1/8	123808	P2B-SC-102	126505	P2B-SC-102-NL
	1-3/16	123809	P2B-SC-103	123828	P2B-SC-103-NL
	1-1/4	123170	P2B-SC-104S	049852	P2B-SC-104S-NL
	30mm	125853	P2B-SC-30M	074162	P2B-SC-30M-NL
206 (SCU)	1-1/16	123877	P2B-SCU-101	@	P2B-SCU-101-NL
	1-1/8	123878	P2B-SCU-102	@	P2B-SCU-102-NL
	1-3/16	123879	P2B-SCU-103	050837	P2B-SCU-103-NL
	1-1/4	123894	P2B-SCU-104S	073282	P2B-SCU-104S-NL
	30mm	125854	P2B-SCU-30M	@	P2B-SCU-30M-NL
207	1-1/4	123810	P2B-SC-104	123933	P2B-SC-104-NL
	1-5/16	123811	P2B-SC-105	@	P2B-SC-105-NL
	1-3/8	123812	P2B-SC-106	123781	P2B-SC-106-NL
	1-7/16	123813	P2B-SC-107	123792	P2B-SC-107-NL
	35mm	125855	P2B-SC-35M	@	P2B-SC-35M-NL

@ Assembled to order.

FEATURES/BENEFITS PAGE B4-3	HOW TO ORDER/NOMENCLATURE PAGE B4-5	SELECTION PAGE B4-6	ACCESSORIES PAGE B4-98
--------------------------------	--	------------------------	---------------------------

SELECTION/DIMENSIONS



Setscrew Ball Bearings SC AND SCU NORMAL DUTY PILLOW BLOCKS

Bearing Reference Guide

ULTRA KLEEN

E-Z KLEEN

Extreme Duty

Setscrew Ball Bearing

GRIP TIGHT

D-LOK Ball Bearing

Series	Shaft Size	Wgt. lbs. kgs	A	B	C	D		F Bolt Dia.	G	H	J	L	M	R	S	U	V	W	X	
						Min	Max													
203	1/2	1.1	1.00	5.00	1.20	3.25	4.06	3/8	0.84	0.47	2.14	0.96	1.06	0.36	0.64	2.25	4.50	0.38	0.12	
	5/8	1.0																		
	17mm	0.4	25.4	127.0	30.5	82.6	103.1	M10	21.3	11.9	54.4	24.4	27.0	9.1	16.3	57.2	114.3	9.7	3.0	
203 SCU	1/2	1.2	1.00	5.00	1.20	3.25	4.06	3/8	0.84	0.59	2.27	0.96	1.19	0.36	0.64	2.25	4.50	0.38	0.12	
	5/8	1.0																		
	17mm	0.4	25.4	127.0	30.5	82.6	103.1	M10	21.3	15.0	57.7	24.4	30.2	9.1	16.3	57.2	114.3	9.7	3.0	
204	1/2	1.6	1.23	5.25	1.34	3.38	4.19	3/8	0.85	0.53	2.56	1.12	1.31	0.50	0.73	2.25	4.50	0.50	0.12	
	5/8	1.5																		
	3/4	1.4																		
205	20mm	0.7	31.2	133.4	34.0	85.9	106.4	M10	21.6	13.5	65.0	28.4	33.3	12.7	18.5	57.2	114.3	12.7	3.0	
	7/8	1.8	1.34	5.50	1.40	3.69	4.50	3/8	0.85	0.58	2.77	1.32	1.44	0.56	0.78	2.50	5.00	0.50	0.12	
	15/16	1.7																		
206	1	1.6																		
	25mm	0.7	34.0	139.7	35.6	93.7	114.3	M10	21.6	14.7	70.4	33.5	36.5	14.2	19.8	63.5	127.0	12.7	3.0	
	1-1/16	2.8	1.52	6.25	1.75	4.25	5.00	1/2	0.94	0.68	3.25	1.57	1.63	0.58	0.94	2.88	5.76	0.56	0.12	
206 SCU	1-1/8	2.7																		
	1-3/16	2.6																		
	1-1/4	2.5																		
207	30mm	1.1	38.6	158.8	44.5	108.0	127.0	M12	23.9	17.3	82.6	39.9	41.3	14.7	23.9	73.2	146.3	14.2	3.0	
	1-1/16	2.9	1.52	6.25	1.75	4.25	5.00	1/2	0.94	0.75	3.31	1.57	1.69	0.58	0.94	2.88	5.76	0.56	0.12	
	1-1/8	2.8																		
207	1-3/16	2.7																		
	1-1/4	2.6																		
	30mm	1.1	38.6	158.8	44.5	108.0	127.0	M12	23.9	19.1	84.1	39.9	42.9	14.7	23.9	73.2	146.3	14.2	3.0	
207	1-1/4	4.5	1.71	6.50	1.75	4.68	5.44	1/2	0.94	0.71	3.75	1.84	1.88	0.67	1.04	2.91	5.82	0.56	0.12	
	1-5/16	4.4																		
	1-3/8	4.3																		
207	1-7/16	4.2																		
	35mm	1.5	43.4	165.1	44.5	118.9	138.2	M12	23.9	18.0	95.3	46.7	47.6	17.0	26.4	73.9	147.8	14.2	3.0	

FEATURES/BENEFITS PAGE B4-3	HOW TO ORDER/NOMENCLATURE PAGE B4-5	SELECTION PAGE B4-6	ACCESSORIES PAGE B4-98
--------------------------------	--	------------------------	---------------------------

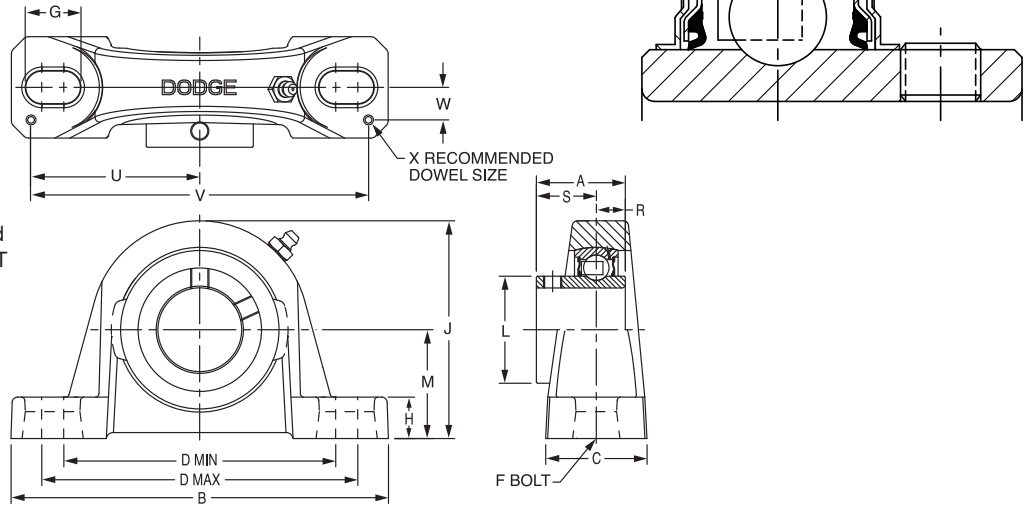


SELECTION/DIMENSIONS

Setscrew Ball Bearings SC AND SCU NORMAL DUTY PILLOW BLOCKS

Lube Fitting

203 series - 1/4-28 tapered thread
204 series and larger - 1/8-27 NPT



Series	Shaft Size	Standard		No-Lube/Sealed for Life (-NL)	
		Part No.	Description	Part No.	Description
208	1-1/2	123814	P2B-SC-108	123829	P2B-SC-108-NL
	1-5/8	123815	P2B-SC-110	126510	P2B-SC-110-NL
	40mm	056855	P2B-SC-40M	067679	P2B-SC-40M-NL
209	1-5/8	125169	P2B-SC-110L	073381	P2B-SC-110L-NL
	1-11/16	123816	P2B-SC-111	123784	P2B-SC-111-NL
	1-3/4	123817	P2B-SC-112	123782	P2B-SC-112-NL
	45mm	125857	P2B-SC-45M	067925	P2B-SC-45M-NL
210	1-15/16	123818	P2B-SC-115	123793	P2B-SC-115-NL
	2	123819	P2B-SC-200	123939	P2B-SC-200-NL
	50mm	125858	P2B-SC-50M	058702	P2B-SC-50M-NL
211	2	126815	P2B-SCM-200	126547	P2B-SCM-200-NL
	2-3/16	123820	P2B-SC-203	123783	P2B-SC-203-NL
	2-1/4	123821	P2B-SC-204	126513	P2B-SC-204-NL
	55mm	125859	P2B-SC-55M	@	P2B-SC-55M-NL
212	2-1/4	126817	P2B-SCM-204	@	P2B-SCM-204-NL
	2-7/16	123822	P2B-SC-207	123987	P2B-SC-207-NL
	60mm	125860	P2B-SC-60M	062162	P2B-SC-60M-NL
214	2-1/2	126819	P2B-SCM-208	062178	P2B-SCM-208-NL
	2-11/16	123839	P2B-SC-211	068603	P2B-SC-211-NL
	70mm	125861	P2B-SC-70M	126548	P2B-SC-70M-NL
215	2-15/16	123823	P2B-SC-215	123636	P2B-SC-215-NL
	75mm	125862	P2B-SC-75M	@	P2B-SC-75M-NL
215 (SCU)	2-15/16	123728	P2B-SCU-215	@	P2B-SCU-215-NL
	75mm	052792	P2B-SCU-75M	@	P2B-SCU-75M-NL
218	90mm	052794	P2B-SC-90M	@	P2B-SC-90M-NL

@Assembled to order

SELECTION/DIMENSIONS



Setscrew Ball Bearings SC AND SCU NORMAL DUTY PILLOW BLOCKS

Bearing Reference Guide

ULTRA KLEEN

E-Z KLEEN

Extreme Duty

Setscrew Ball Bearing

GRIP TIGHT

D-LOK Ball Bearing

Series	Shaft Size	Wgt. lbs. kgs	A	B	C	D		F Bolt Dia.	G	H	J	L	M	R	S	U	V	W	X	
						Min	Max													
208	1-1/2	5.4	1.94	7.25	1.93	5.18	5.88	1/2	0.91	0.93	4.19	2.05	2.13	0.75	1.19	3.26	6.52	0.69	0.12	
	1-5/8	5.3																		
	40mm	2.2	49.3	184.2	49.0	131.6	149.4	M12	23.1	23.6	106.4	52.1	54.0	19.1	30.2	82.8	165.6	17.5	3.0	
209	1-5/8	6.6	1.94	7.44	2.00	5.50	6.19	1/2	0.90	0.75	4.28	2.22	2.13	0.75	1.19	3.38	6.76	0.69	0.12	
	1-11/16	6.4																		
	1-3/4	6.2																		
	45mm	2.2	49.3	189.0	50.8	139.7	157.2	M12	22.9	19.1	108.7	56.4	54.0	19.1	30.2	85.9	171.7	17.5	3.0	
210	1-15/16	7.2	1.94	8.12	2.25	6.00	6.68	5/8	1.02	0.75	4.53	2.43	2.25	0.75	1.19	3.69	7.38	0.81	0.12	
	2	7.0																		
	50mm	2.6	49.3	206.2	57.2	152.4	169.7	M16	25.9	19.1	115.1	61.7	57.2	19.1	30.2	93.7	187.5	20.6	3.0	
211	2	9.0	2.22	8.88	2.30	6.38	7.44	5/8	1.21	0.88	4.96	2.71	2.50	0.87	1.35	3.94	7.88	0.81	0.12	
	2-3/16	8.9																		
	55mm	3.3	56.4	225.6	58.4	162.1	189.0	M16	30.7	22.4	126.0	68.8	63.5	22.1	34.3	100.1	200.2	20.6	3.0	
212	2-1/4	10.8	2.31	9.50	2.37	6.88	7.94	5/8	1.21	0.88	5.40	2.97	2.75	0.90	1.41	4.25	8.50	0.88	0.12	
	2-7/16	10.2																		
	60mm	4.2	58.7	241.3	60.2	174.8	201.7	M16	30.7	22.4	137.2	75.4	69.9	22.9	35.8	108.0	215.9	22.4	3.0	
214	2-1/2	15.5	2.54	10.75	2.69	7.50	8.50	3/4	1.32	0.94	6.09	3.31	3.00	1.06	1.48	4.88	9.76	0.94	0.12	
	2-11/16	15.0																		
	70mm	6.9	64.5	273.1	68.3	190.5	215.9	M18	33.5	23.9	154.7	84.1	76.2	26.9	37.6	124.0	247.9	23.9	3.0	
215	2-15/16	20.5	2.33	11.75	2.88	8.50	9.50	7/8	1.44	1.00	6.75	3.62	3.50	0.86	1.47	5.48	10.96	1.04	0.12	
	75mm	7.9	59.2	298.5	73.2	215.9	241.3	M22	36.6	25.4	171.5	91.9	88.9	21.8	37.3	139.2	278.4	26.4	3.0	
215 SCU	2-15/16	20.7	2.33	11.75	2.88	8.50	9.50	7/8	1.44	1.00	6.50	3.62	3.25	0.86	1.47	5.48	10.96	1.04	0.12	
	75mm	8.0	59.2	298.5	73.2	215.9	241.3	M22	36.6	25.4	165.1	91.9	82.6	21.8	37.3	139.2	278.4	26.4	3.0	
218	90mm	13.6	65.0	355.6	85.9	262.1	295.1	M22	40.4	33.3	203.2	110.5	101.6	24.4	40.6	167.6	335.3	30.2	3.0	

FEATURES/BENEFITS PAGE B4-3	HOW TO ORDER/NOMENCLATURE PAGE B4-5	SELECTION PAGE B4-6	ACCESSORIES PAGE B4-98
--------------------------------	--	------------------------	---------------------------