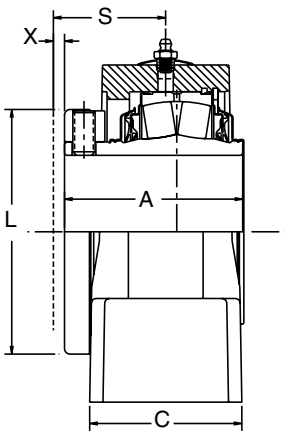
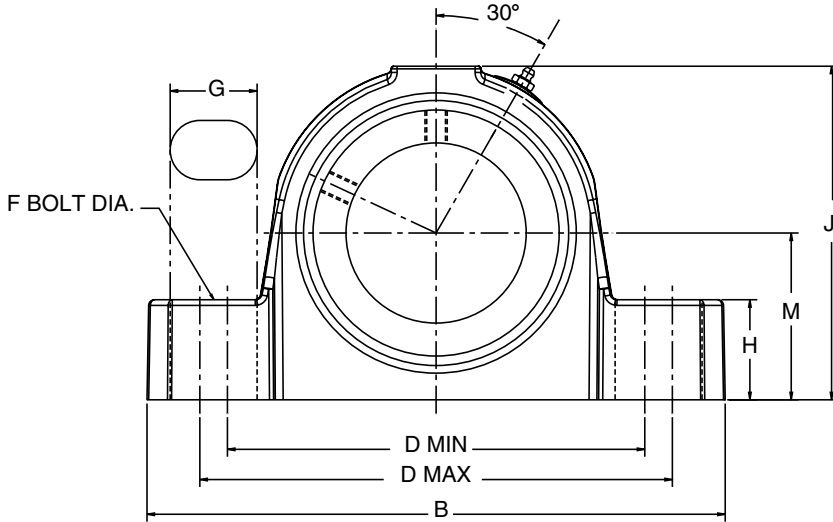
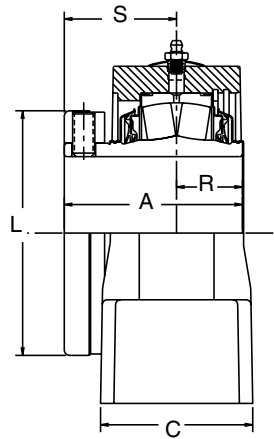


DIMENSIONS

S-2000 Pillow Block 2-BOLT BASE - INCH



EXPANSION



NON-EXPANSION

S-2000 FEATURES/BENEFITS PAGE 2	S-2000 HOW TO ORDER PAGE 5	S-2000 NOMENCLATURE PAGE 6	S-2000 SELECTION PAGE 7
------------------------------------	-------------------------------	-------------------------------	----------------------------



DIMENSIONS

S-2000 Pillow Block 2-BOLT BASE - INCH

Bearing	Shaft Size Inch	TRIDENT Seal				Labyrinth Seal			
		Non-Expansion		Expansion		Non-Expansion		Expansion	
		Part No.	Part Name	Part No.	Part Name	Part No.	Part Name	Part No.	Part Name
22208	1-3/8	070272	P2B-S2-106R	070295	P2B-S2-106RE	070318	P2B-S2-106L	070341	P2B-S2-106LE
	1-7/16	070273	P2B-S2-107R	070296	P2B-S2-107RE	070319	P2B-S2-107L	070342	P2B-S2-107LE
	1-1/2	070274	P2B-S2-108R	070297	P2B-S2-108RE	070320	P2B-S2-108L	070343	P2B-S2-108LE
22209	1-11/16	070276	P2B-S2-111R	070299	P2B-S2-111RE	070322	P2B-S2-111L	070345	P2B-S2-111LE
	1-3/4	070277	P2B-S2-112R	070300	P2B-S2-112RE	070323	P2B-S2-112L	070346	P2B-S2-112LE
22210	1-15/16	070278	P2B-S2-115R	070301	P2B-S2-115RE	070324	P2B-S2-115L	070347	P2B-S2-115LE
	2	070279	P2B-S2-200R	070302	P2B-S2-200RE	070325	P2B-S2-200L	070348	P2B-S2-200LE
22211	2-3/16	070280	P2B-S2-203R	070303	P2B-S2-203RE	070326	P2B-S2-203L	070349	P2B-S2-203LE
22213	2-7/16	070282	P2B-S2-207R	070305	P2B-S2-207RE	070328	P2B-S2-207L	070351	P2B-S2-207LE
22215	2-11/16	070284	P2B-S2-211R	070307	P2B-S2-211RE	070330	P2B-S2-211L	070353	P2B-S2-211LE
	2-15/16	070285	P2B-S2-215R	070308	P2B-S2-215RE	070331	P2B-S2-215L	070354	P2B-S2-215LE
	3	070286	P2B-S2-300R	070309	P2B-S2-300RE	070332	P2B-S2-300L	070355	P2B-S2-300LE
22218	3-7/16	070288	P2B-S2-307R	070311	P2B-S2-307RE	070334	P2B-S2-307L	070357	P2B-S2-307LE
22220	3-15/16	070290	P2B-S2-315R	070313	P2B-S2-315RE	070336	P2B-S2-315L	070359	P2B-S2-315LE

SHAFT SIZE	A	B	C	D		F BOLT DIA.	G	H	J	L	M	R	S	X TOTAL EXP.
				MIN	MAX									
1-3/8														
1-7/16	2-17/32	6-7/8	1-61/64	4-13/16	5-13/64	1/2	13/16	1-1/8	3-7/8	2-3/4	1-7/8	7/8	1-21/32	3/16
1-1/2														
1-11/16	2-43/64	7-3/8	2-1/16	5-5/16	5-45/64	1/2	13/16	1-1/4	4-17/64	3-3/16	2-1/8	13/16	1-55/64	1/4
1-3/4														
1-15/16	2-27/32	8-3/8	2-1/2	6-1/16	6-7/16	5/8	61/64	1-5/16	4-9/16	3-7/16	2-1/4	27/32	2	1/4
2														
2-3/16	2-15/16	8-7/8	2-5/8	6-9/16	6-15/16	5/8	61/64	1-1/2	5	3-3/4	2-1/2	29/32	2-1/32	1/4
2-7/16	3-13/64	9-1/4	2-55/64	6-15/16	7-5/16	5/8	61/64	1-5/8	5-19/32	4-1/16	2-3/4	1-7/32	1-63/64	1/4
2-11/16														
2-15/16	3-19/32	10-7/16	3-5/64	7-15/16	8-5/16	3/4	1-1/16	1-7/8	6-3/8	4-45/64	3-1/4	1-15/64	2-23/64	1/4
3														
3-7/16	4	13	3-27/64	9-3/8	10-5/8	7/8	1-5/8	2-1/4	7-1/2	5-1/2	3-3/4	1-31/64	2-33/64	1/4
3-15/16	4-15/32	15-1/4	3-29/32	10-5/8	12-7/8	1	2-1/4	2-7/16	8-3/8	6	4-1/4	1-41/64	2-53/64	5/16

NOTE: All sizes use a 1/8-27 NPT hydraulic grease fitting

S-2000 FEATURES/BENEFITS PAGE 2	S-2000 HOW TO ORDER PAGE 5	S-2000 NOMENCLATURE PAGE 6	S-2000 SELECTION PAGE 7
------------------------------------	-------------------------------	-------------------------------	----------------------------