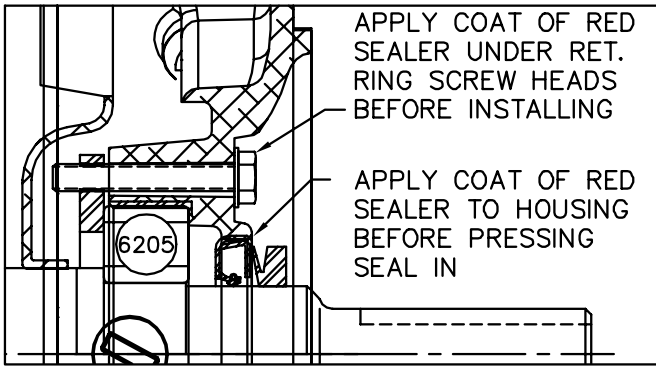


FRONT END DETAIL



PULLEY END DETAIL

CUSTOMER IS RESPONSIBLE FOR DETERMINING THAT BALDOR'S PRODUCT WILL PERFORM SUITABLY IN THE INTENDED APPLICATION.

REV. DESC: UPDATE ENDPLATES AND NOTES		
REV. LTR: AC	VERSION: 08	TDR: 000001074419
FILE: \AAA\00011\467	REVISED: 11:53:33 06/12/2018	BY: FGCHAH1
MTL: -		

**BALDOR - RELIANCE®**

STD HORZ 56C TEFC 35L WD (S/P 9)

SH 1 of 1

35LYJ306