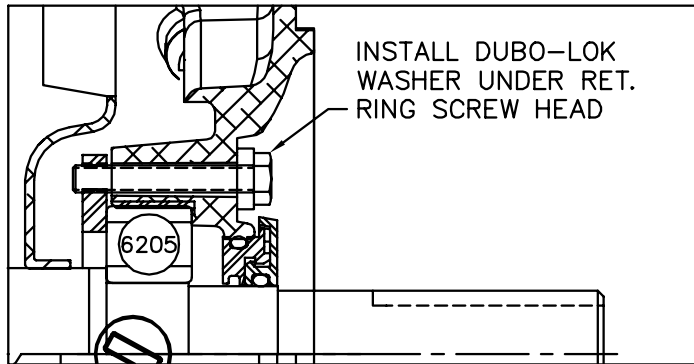


FRONT END DETAIL



PULLEY END DETAIL

CUSTOMER IS RESPONSIBLE FOR DETERMINING THAT BALDOR'S PRODUCT WILL PERFORM SUITABLY IN THE INTENDED APPLICATION.

REV. DESC: UPDATE ENDPLATES AND NOTES		
REV. LTR: C	VERSION: 03	TDR: 000001078000
FILE: \AAA\00169\560	REVISED: 02:39:52 07/12/2018	BY: FPJFG0
MTL: -		

BALDOR - RELIANCE®

STD HORZ 143-5TC TEFC 35M WD2 (PAINT FREE) W/.75 NPT LEAD HO