

Clamps

Three Segment Clamps - 13MHMM-3P

Tube OD	Service Pressure Rating @ 70°F ¹	Service Pressure Rating @ 250°F ¹	Dimension A	Stainless Steel	
				Part #	Price/E
1" - 1½"	600	300	2.122"	13MHMM-3P100150	\$27.25
2"	550	275	2.654"	13MHMM-3P200	31.05
2½"	450	225	3.185"	13MHMM-3P250	37.25
3"	350	175	3.717"	13MHMM-3P300	41.65
4"	300	150	4.820"	13MHMM-3P400	52.85
12"	75	50	12.740"	13MHMM-3P1200	632.45

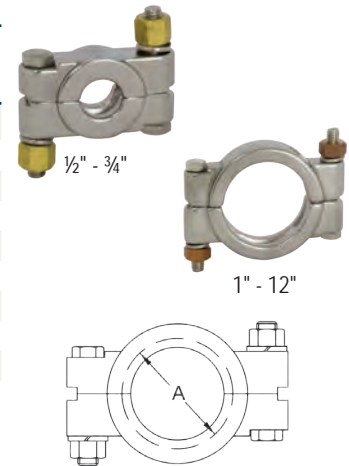
¹ wing nut should be tightened to 25 in. lb. of torque



Bolted Clamps - 13MHP

Tube OD	Service Pressure Rating @ 70°F ¹	Service Pressure Rating @ 250°F ¹	Dimension A	Stainless Steel	
				Part #	Price/E
½" - ¾"	1500	1200	1.062"	13MHP75	\$27.90
1" - 1½"	1500	1200	2.046"	13MHP100-150	30.45
2"	1000	800	2.578"	13MHP200	37.95
2½"	1000	800	3.110"	13MHP250	41.40
3"	1000	800	3.640"	13MHP300	50.40
4"	800	600	4.744"	13MHP400	56.95
6"	300	200	6.632"	13MHP600	92.65
8"	250	150	8.638"	13MHP800	251.60
10"	200	125	10.740"	13MHP1000	385.60
12"	150	100	12.740"	13MHP1200	434.80

¹ nuts should be tightened to 20 ft. lbs. of torque



Toggle Clamps - 13MHLA

Tube OD	Service Pressure Rating @ 70°F ¹	Service Pressure Rating @ 250°F ¹	Dimension A	304 Stainless Steel	
				Part #	Price/E
1" - 1½"	150	125	2.122"	13MHLA100-150	\$50.95
2"	150	125	2.654"	13MHLA200	53.35
2½"	150	125	3.185"	13MHLA250	57.35
3"	150	125	3.717"	13MHLA300	91.15
4"	100	75	4.820"	13MHLA400	96.85

¹ screw tightened to maximum



N

T-bolt Clamps - 13MO

Tube OD	Service Pressure Rating @ 70°F ²	Service Pressure Rating @ 250°F ²	Dimension A	304 Stainless Steel	
				Part #	Price/E
1" - 1½"	500	250	2.080"	13MO100-150	\$33.50
2"	350	200	2.610"	13MO200	36.85
2½"	300	150	3.140"	13MO250	45.20
3"	200	100	3.670"	13MO300	46.05
4"	100	75	4.780"	13MO400	64.60
6"	75	50	6.690"	13MO600	89.40
8" ¹	50	40	8.690"	13MO800	133.30
10" ¹	40	30	10.690"	13MO1000	168.50
12" ¹	30	25	12.690"	13MO1200	224.20

¹ 2 bolt configuration

² 1" - 3" nuts tightened to 20 in. lb., 4" nut tightened to 30 in. lb., 6" nut tightened to 40 in. lb. and 8" - 12" nuts tightened to 50 in. lb. of torque

