



eCATALOGsolutions



BIM catalogs.net



PARTsolutions



Create Your Individual 3D PDF Datasheet



Learn How to Create Your Mechanical Product Catalog



Learn How to Create Your BIM Product Catalog



Reduce Your Costs in Engineering and Purchasing



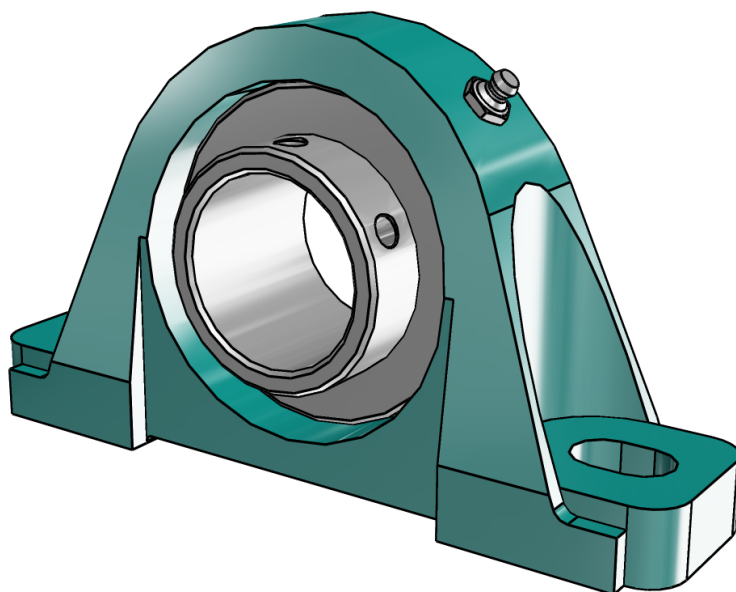
123912

SC Pillow Block Bearings -(Normal Duty) -Air Handling



3D View

To activate the interactive 3D view, you must trust this document (see hint on the top) in Adobe Acrobat and click on the question mark.



Zoom

Moves you toward or away from objects in the scene when you drag vertically. You can also zoom with the hand tool by holding down Shift as you drag.

Pan

Moves the model vertically and horizontally only. You can also pan with the hand tool: Ctrl-drag.

Rotate

Turns 3D objects around relative to the screen. How the objects move depends on the starting view, where you start dragging and the direction in which you drag.

3D PDF DATASHEET



 eCATALOG solutions



 BIM catalogs.net



 PART solutions



Create Your Individual 3D PDF Datasheet ▶

Learn How to Create Your Mechanical Product Catalog ▶

Learn How to Create Your BIM Product Catalog ▶

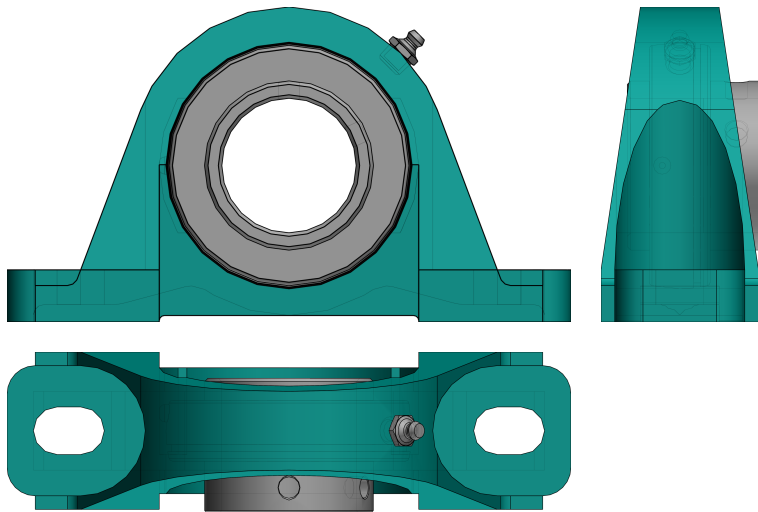
Reduce Your Costs in Engineering and Purchasing ▶

123912

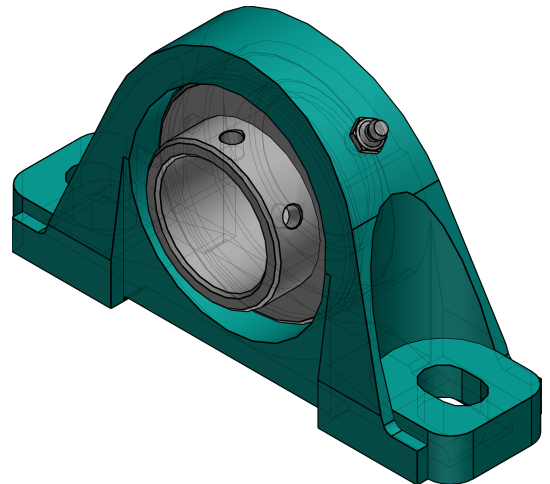
SC Pillow Block Bearings -(Normal Duty) -Air Handling



2D Derivation



ISO View



3D PDF DATASHEET



eCATALOGsolutions



BIM catalogs.net



PARTsolutions



Create Your Individual 3D PDF Datasheet



Learn How to Create Your Mechanical Product Catalog



Learn How to Create Your BIM Product Catalog



Reduce Your Costs in Engineering and Purchasing

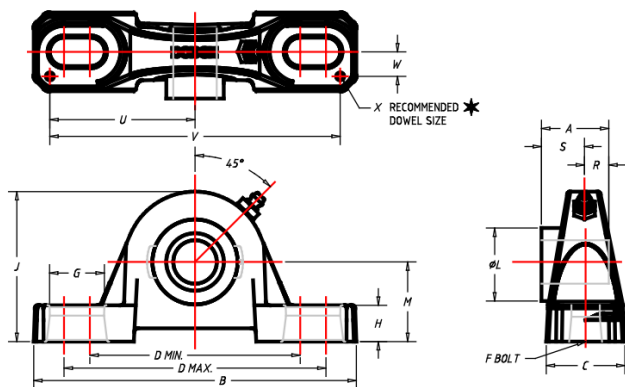


123912

SC Pillow Block Bearings -(Normal Duty) -Air Handling

BALDOR • DODGE

Technical Drawings



NOTES:

GREASE USED:
EXXON UNIREX N2

SEAL TYPE:
DUAL GUARD LIP SEAL
W/ RUBBERIZED FLINGER



 eCATALOG solutions



 BIM catalogs.net



 PART solutions



Create Your Individual 3D PDF Datasheet ▶

Learn How to Create Your Mechanical Product Catalog ▶

Learn How to Create Your BIM Product Catalog ▶

Reduce Your Costs in Engineering and Purchasing ▶

123912

SC Pillow Block Bearings -(Normal Duty) -Air Handling



Technical Data

SERIES (Series)	210
SS (Shaft Size / INCH)	1-15/16
PN (Part No.)	123912
DESCRIPTION (Description)	P2B-SCAH-115
WEIGHT (Weight / lbs)	7.2
A (A / INCH)	1.94
B (B / INCH)	8.12
C (C / INCH)	2.25
DMIN (Dmin / INCH)	6.00
DMAX (Dmax / INCH)	6.68
F (Bolt Diameter / INCH)	5/8
G (G / INCH)	1.02
H (H / INCH)	0.75
J (J / INCH)	4.53
L (L / INCH)	2.43
M (M / INCH)	2.25
R (R / INCH)	0.75
S (S / INCH)	1.19
U (U / INCH)	3.69
V (V / INCH)	7.38
W (W / INCH)	0.81
X (X / INCH)	0.12

3D PDF DATASHEET



 eCATALOG solutions



 BIM catalogs.net



 PART solutions



Create Your Individual 3D PDF Datasheet ▶

Learn How to Create Your Mechanical Product Catalog ▶

Learn How to Create Your BIM Product Catalog ▶

Reduce Your Costs in Engineering and Purchasing ▶

123912

SC Pillow Block Bearings -(Normal Duty) -Air Handling



Bill of Materials

N°	Name	Description	Amount
1	assembly	123912	1
1.1	HOUSING	123912	1
1.2	INSERT	123346	1
1.3	GF	405015E	1