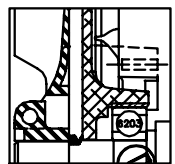
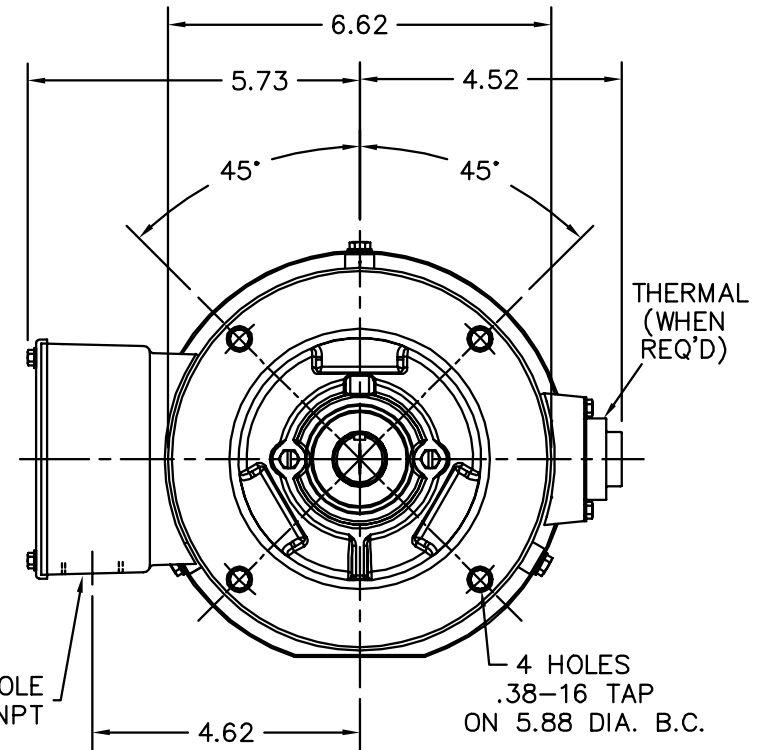
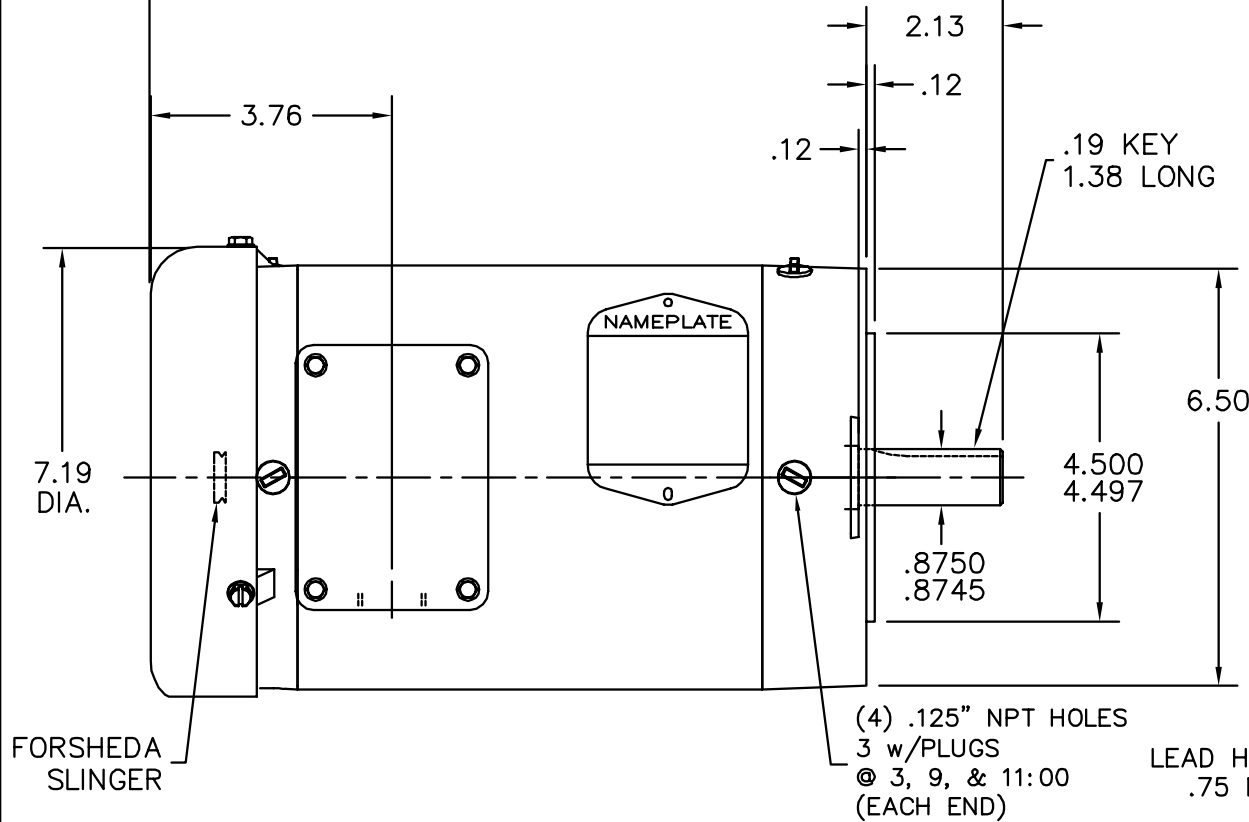
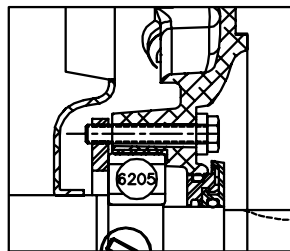


35LYSS623

510-520 = 12.31
 521-528 = 13.31
 529-535 = 14.19
 536-546 = 15.56



FRONT DETAIL



PULLEY DETAIL

INSTALL DUBO-LOK
 WASHER UNDER
 RETAINER RING
 SCREW HEAD

CUSTOMER IS RESPONSIBLE FOR DETERMINING THAT BALDOR'S PRODUCT WILL PERFORM SUITABLY IN THE INTENDED APPLICATION.

REV. DESC: UPDATE ENDPLATES AND NOTES		
REV. LTR: B	VERSION: 02	TDR: 000001072148
FILE: \AAA\00194\623	REVISED: 01:53:05 05/24/2018	BY: FPJFGO
MTL: -		

BALDOR - RELIANCE®

VERT 143-5TC TEFC 35M WD2 W/LEAD HOLE .75 NPT

SH 1 of 1

35LYSS623