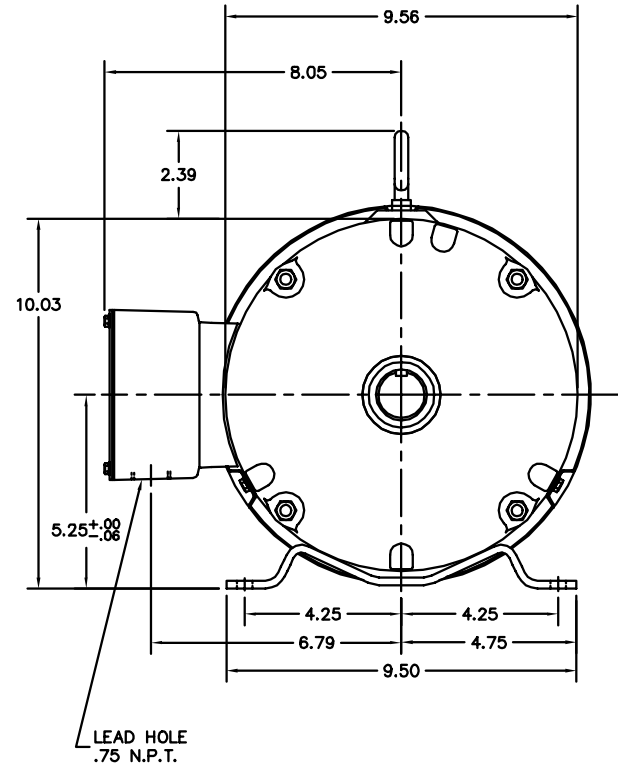


PULLEY END DETAIL

APPLY COAT OF  
RED SEALER TO  
HOUSING BEFORE  
PRESSING SEAL IN.



CUSTOMER IS RESPONSIBLE FOR DETERMINING THAT BALDOR'S PRODUCT WILL PERFORM SUITABLY IN THE INTENDED APPLICATION.

REV. DESC: REPLACE HA1005A02 WITH HW4600B74		
REV. LTR: B	VERSION: 02	TDR: 000000783785
FILE: \AAA\00093\031	REVISED: 02:55:02 05/03/2013	BY: ENCARJO
MTL: -		

**BALDOR**

STD HORZ 213-5T TEFC 37M WD

SH 1 of 1