

# PRODUCT INFORMATION PACKET



Model No: P145K34DB1D

Catalog No: 120554.00

..5HP..3450RPM.145T.DP.230V.1PH.60HZ.CONT.40C.1.0SF.RIGID.P145K34DB1D.....COMPRESSOR  
DUTY.MANUAL.....

Air Compressor



Regal and Leeson are trademarks of Regal Beloit Corporation or one of its affiliated companies.

©2018 Regal Beloit Corporation, All Rights Reserved. MC017097E



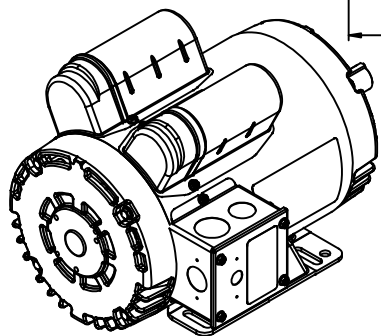
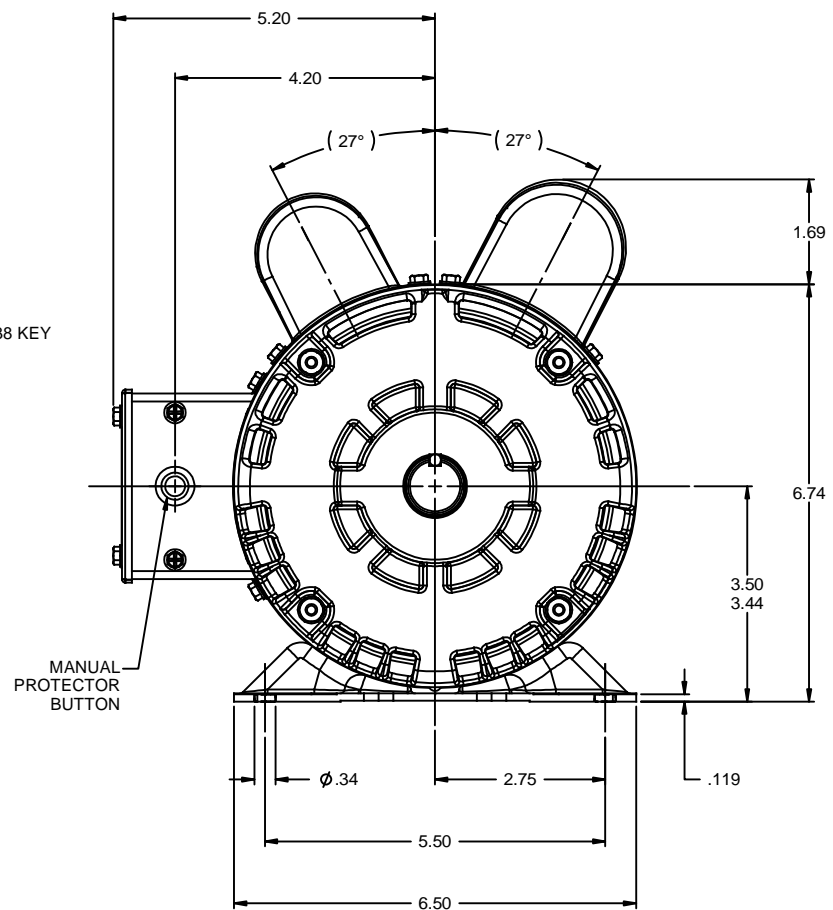
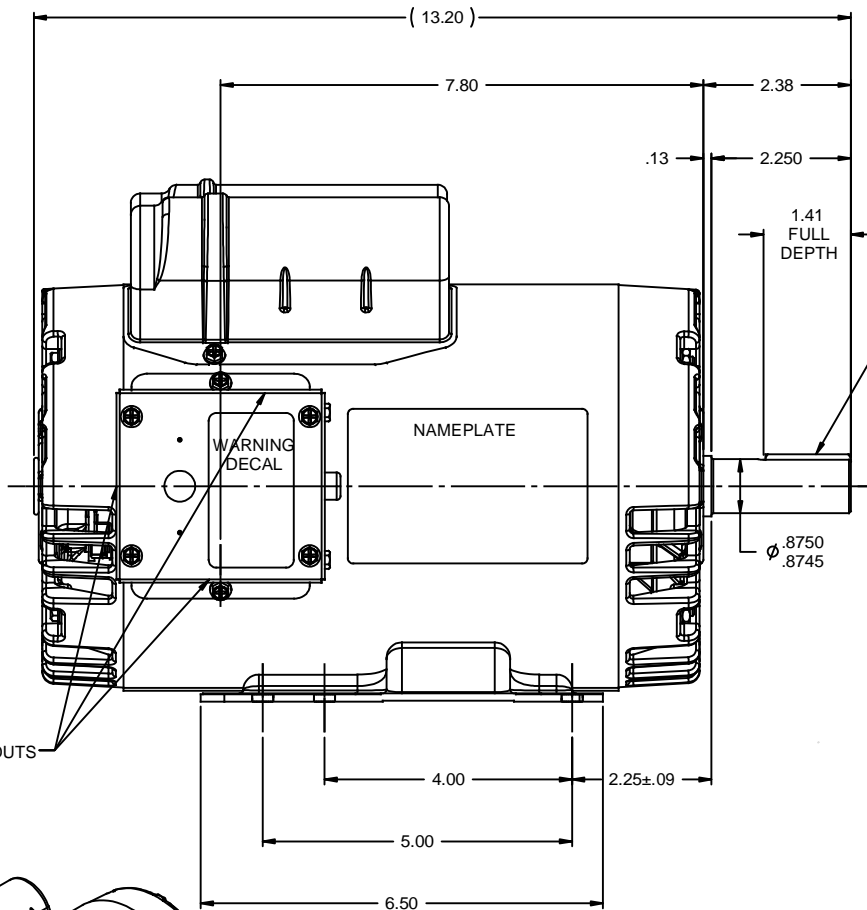


### Nameplate Specifications

Output HP	<b>5 Hp</b>	Output KW	<b>3.7 kW</b>
Frequency	<b>60 Hz</b>	Voltage	<b>230 V</b>
Current	<b>20.8 A</b>	Speed	<b>3450 rpm</b>
Service Factor	<b>1</b>	Phase	<b>1</b>
Efficiency	<b>82.5 %</b>	Duty	<b>Continuous</b>
Insulation Class	<b>F</b>	Design Code	<b>L</b>
KVA Code	<b>E</b>	Frame	<b>145T</b>
Enclosure	<b>Drip Proof</b>	Overload Protector	<b>Manual</b>
Ambient Temperature	<b>40 °C</b>	Drive End Bearing Size	<b>6205</b>
Opp Drive End Bearing Size	<b>6203</b>	UL	<b>Recognized</b>
CSA	<b>Y</b>	CE	<b>N</b>
IP Code	<b>22</b>		

### Technical Specifications

Electrical Type	<b>Capacitor Start Capacitor Run</b>	Starting Method	<b>Across The Line</b>
Poles	<b>2</b>	Rotation	<b>Selective Clockwise</b>
Mounting	<b>Rigid base</b>	Motor Orientation	<b>HORIZONTAL</b>
Drive End Bearing	<b>BALL</b>	Opp Drive End Bearing	<b>BALL</b>
Frame Material	<b>Rolled Steel</b>	Shaft Type	<b>T</b>
Overall Length	<b>13.20 in</b>	Frame Length	<b>8.00 in</b>
Shaft Diameter	<b>0.875 in</b>	Shaft Extension	<b>2.25 in</b>
Assembly/Box Mounting	<b>F1 ONLY</b>		
Outline Drawing	<b>028588</b>	Connection Diagram	<b>005056.03</b>

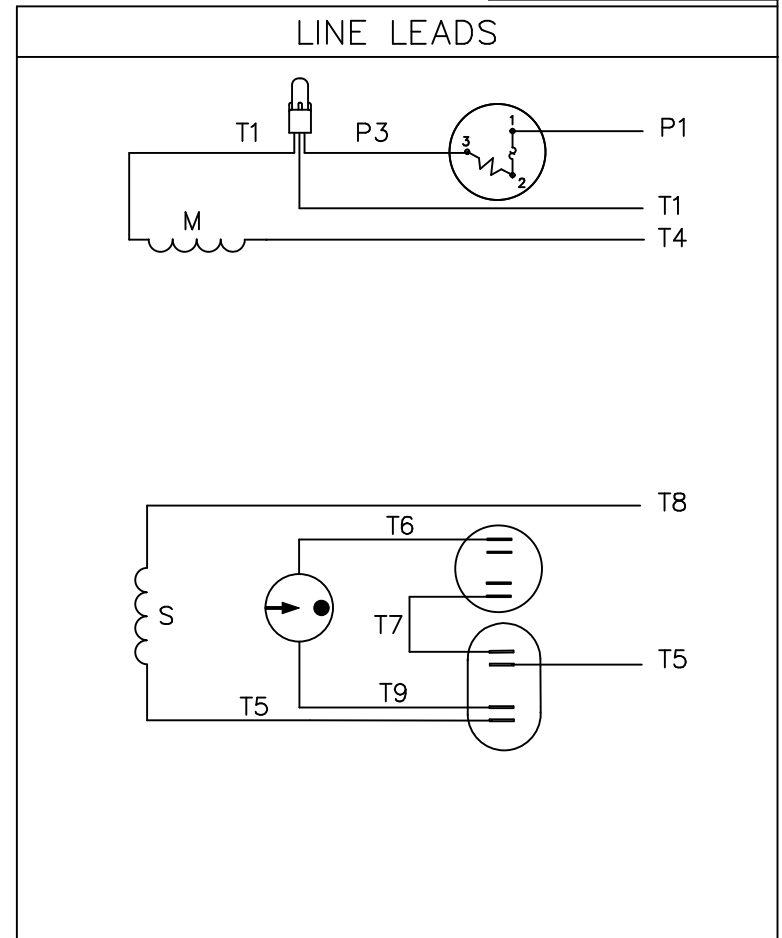
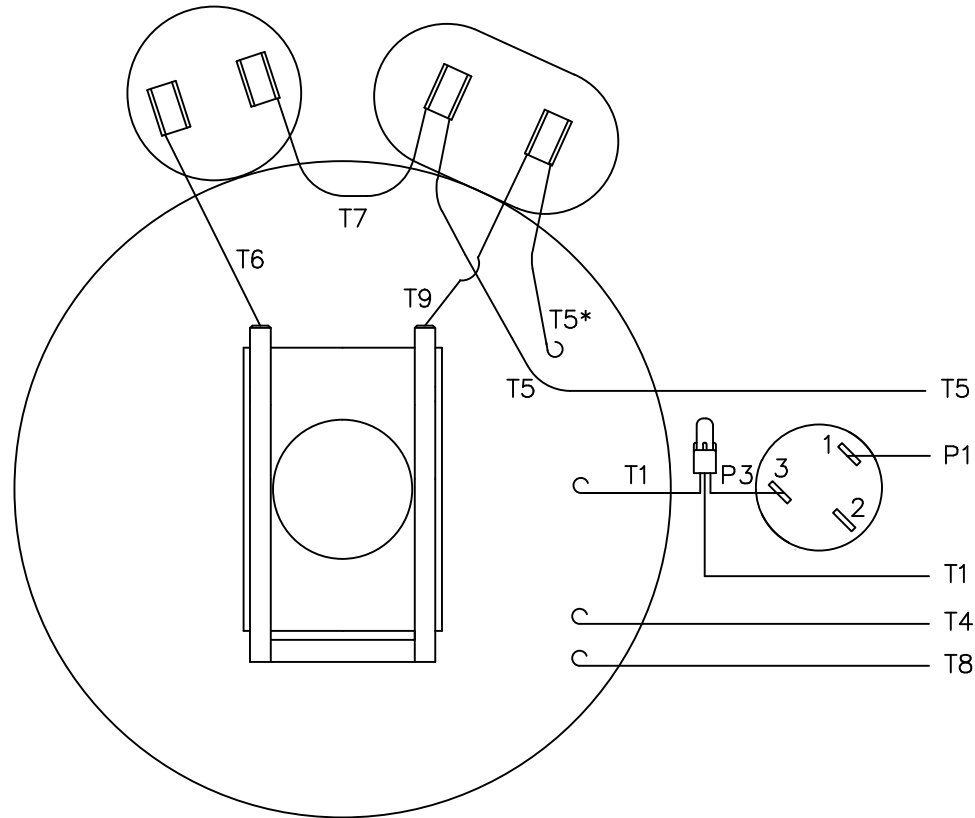


.19 SQ X 1.38 KEY

MANUAL PROTECTOR BUTTON


		TOLERANCES UNLESS SPECIFIED			<b>ELECTRIC MOTORS GEARMOTORS AND DRIVES</b>	DRAWN RDW 06/15/04
		DEC INCHES				CHK
		X ±.1				APPR SW 6/15/04
02	CHANGED TO MYLAR NAMEPLATE, UPDATED TO CURRENT DESIGN & REDRAWN IN SOLIDWORKS PER ISAAC 11-0954	SAD 3/2/2011	GWS XX ±.03	TITLE OUTLINE - 140T FRAME DRIP PROOF - RIGID	SCALE 1:2	
01	ADDED CONNECTION DECAL NOTE TO MATCH BOM	BJB 9/13/04	XXX ±.005 XXX ±.0005	MATL	REF 033389	
NO	REVISION	BY & DATE	CHK ANG ±1/2°	FINISH	PAGE OF	
THIRD ANGLE PROJECTION			RFP	PREV	SIZE DRAWING NO	REV
			NETWORK FILE NAME 028588	<b>B</b>	<b>028588</b>	02

VIEW FROM OUTSIDE OF MOTOR AT SWITCH END.



ROTATION FACING LEAD END	L1	L2	JOIN
C.C.W.	P1	T4, T5	T1, T8
C.W.	P1	T4, T8	T1, T5

\* THIS LEAD MAY BE WHITE

			TOLERANCES UNLESS SPECIFIED		 ELECTRIC MOTORS GEARMOTORS AND DRIVES	DRAWN WLW 08/30/76 CHK WRK 09/24/76 APPD
			DEC.	INCHES		SCALE 1=1
			.X	±.1		REF
08	ALTERNATE T5 LEAD MARKING WAS RED	RLW 8/6/02	.XX	±.01	TITLE	EXTERNAL WIRING DIAGRAM TYPE "K" W/ PROTECTOR
07	ADDED ALTERNATE T5 LEAD MARKING	RLW 5/31/02	KH	.XXX ±.005	MAT'L.	DECAL - 004015
06	REDRAWN TO CAD	DBT 5/31/02		.XXXX ±.0005	FINISH	
NO.	REVISION	BY & DATE	CHK	ANG ±1/2°		
THIS DRAWING IN DESIGN AND DETAIL IS OUR PROPERTY AND MUST NOT BE USED EXCEPT IN CONNECTION WITH OUR WORK ALL RIGHTS OF DESIGN AND INVENTION ARE RESERVED THIS IS AN ELECTRONICALLY GENERATED DOCUMENT - DO NOT SCALE THIS PRINT			RFP		CAD FILE	00505603
			DIST	BRF-NLV	SIZE	A
					DRAWING NO.	005056-03
					REV.	08

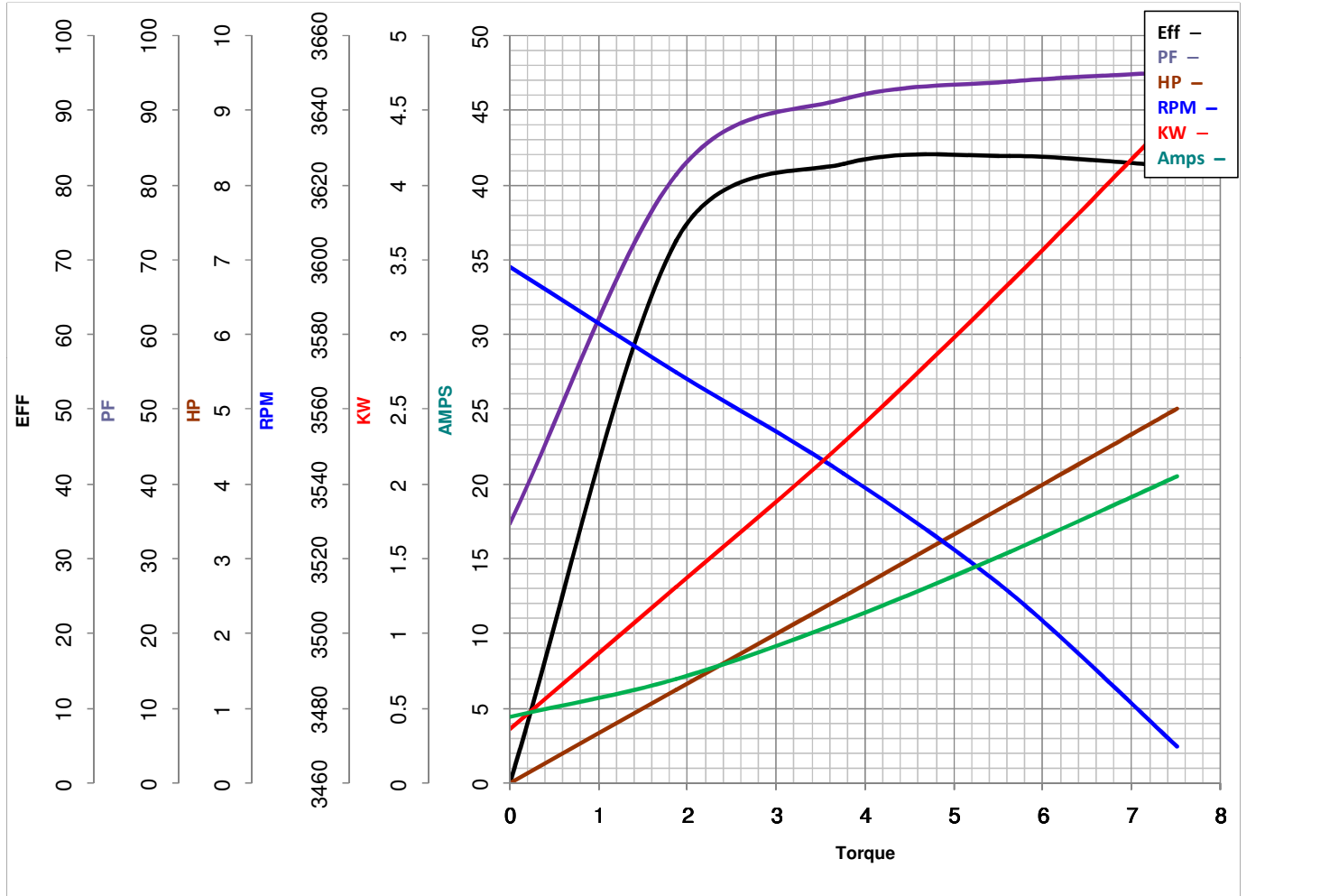


**LEESON ELECTRIC CORPORATION**  
TYPICAL PERFORMANCE CURVE for AC MOTOR

Model No 120554.00

Catalog No 120554.00

Curve at 230 Volts      HP 5.00      PHASE 1  
60 HZ  
5 HP      VOLTS 230  
HZ 60      RPM 3450



Torque in Lb.Ft

FL TORQUE 7.5 Lb.Ft  
 BD TORQUE 14.3 Lb.Ft  
 LR TORQUE 12.3 Lb.Ft

FL AMPS 20.8  
 PU TORQUE 13.3 Lb.Ft  
 LR AMPS 107

WINDING K632130-2

Date 3/16/2018