

PRODUCT INFORMATION PACKET



Model No: M6C34FB8J

Catalog No: 110109.00

..1 1/2HP..3450RPM.56.TEFC.115/208-230V.1PH.60HZ.CONT.40C.1SF.RIGID.M6C34FB8J.....GENERAL PURPOSE.MANUAL.....

Totally Enclosed Fan Cooled (TEFC)



Regal and Leeson are trademarks of Regal Beloit Corporation or one of its affiliated companies.

©2018 Regal Beloit Corporation, All Rights Reserved. MC017097E





Nameplate Specifications

Output HP	1.50 Hp	Output KW	1.1 kW
Frequency	60 Hz	Voltage	115/208-230 V
Current	17.0/9.0-8.5 A	Speed	3450 rpm
Service Factor	1	Phase	1
Efficiency	72 %	Duty	Continuous
Insulation Class	B	Design Code	L
KVA Code	H	Frame	56
Enclosure	Totally Enclosed Fan Cooled	Overload Protector	Manual
Ambient Temperature	40 °C	Drive End Bearing Size	6203
Opp Drive End Bearing Size	6203	UL	Recognized
CSA	Y	CE	N
IP Code	54		

Technical Specifications

Electrical Type	Capacitor Start Induction Run	Starting Method	Across The Line
Poles	2	Rotation	Selective Counterclockwise
Mounting	Rigid base	Motor Orientation	HORIZONTAL
Drive End Bearing	BALL	Opp Drive End Bearing	BALL
Frame Material	Rolled Steel	Shaft Type	NEMA 56
Overall Length	12.48 in	Frame Length	7.00 in
Shaft Diameter	0.625 in	Shaft Extension	1.88 in
Assembly/Box Mounting	F1 ONLY		
Outline Drawing	028793-700B	Connection Diagram	005003.03

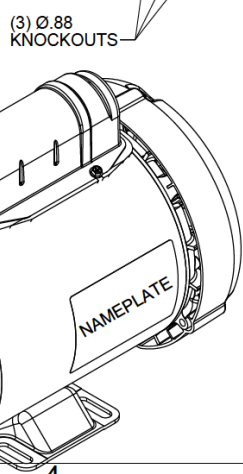
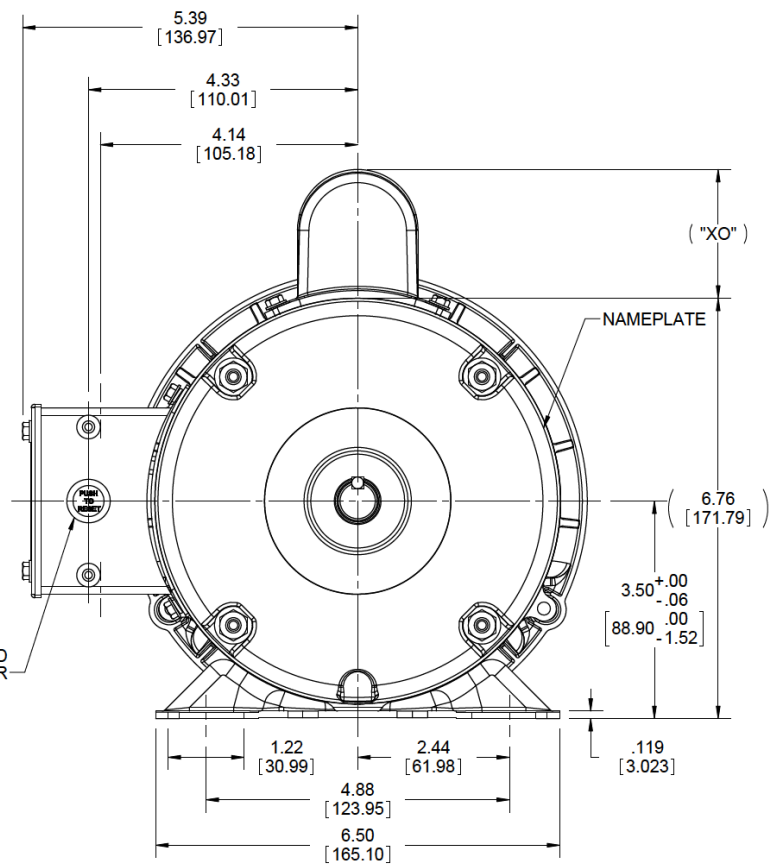
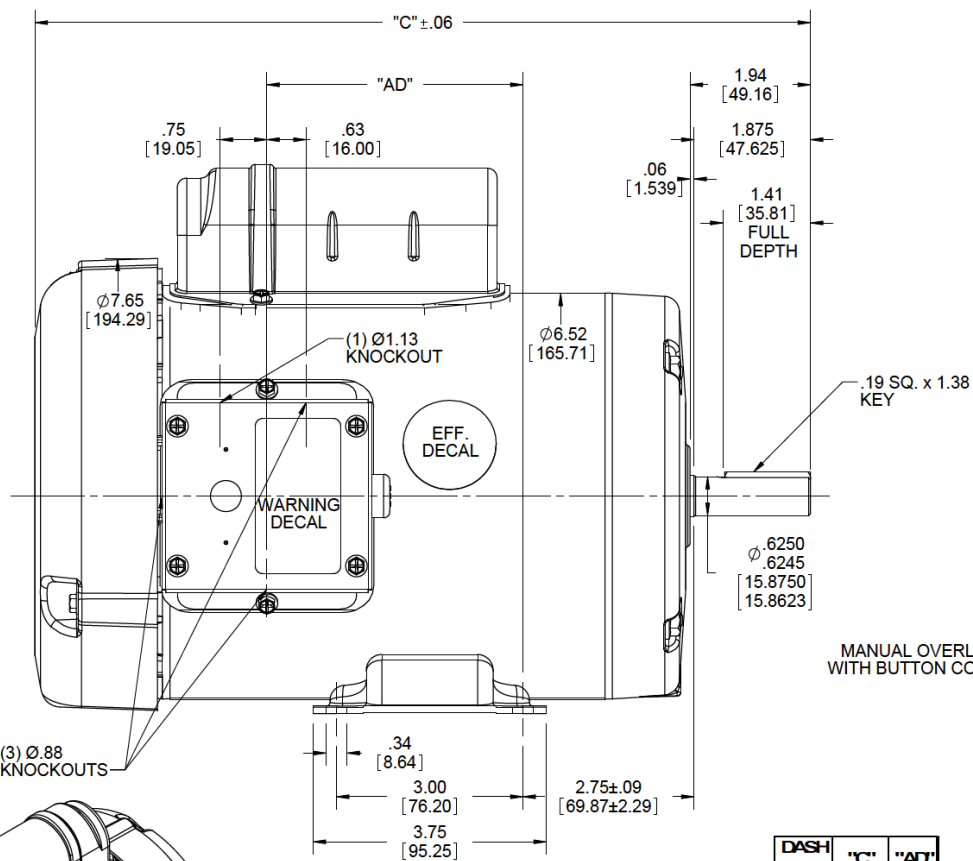
4

3

Uncontrolled Copy

2

1



DASH NO	"C"	"AD"	CAP	"XO"
500	10.48	2.13	DASH	1.61
550	10.98	2.63	A	2.08
600	11.48	3.13	B	2.32
650	11.98	3.63	C	
700	12.48	4.13		

NOTES:
1) GASKETS THROUGHOUT

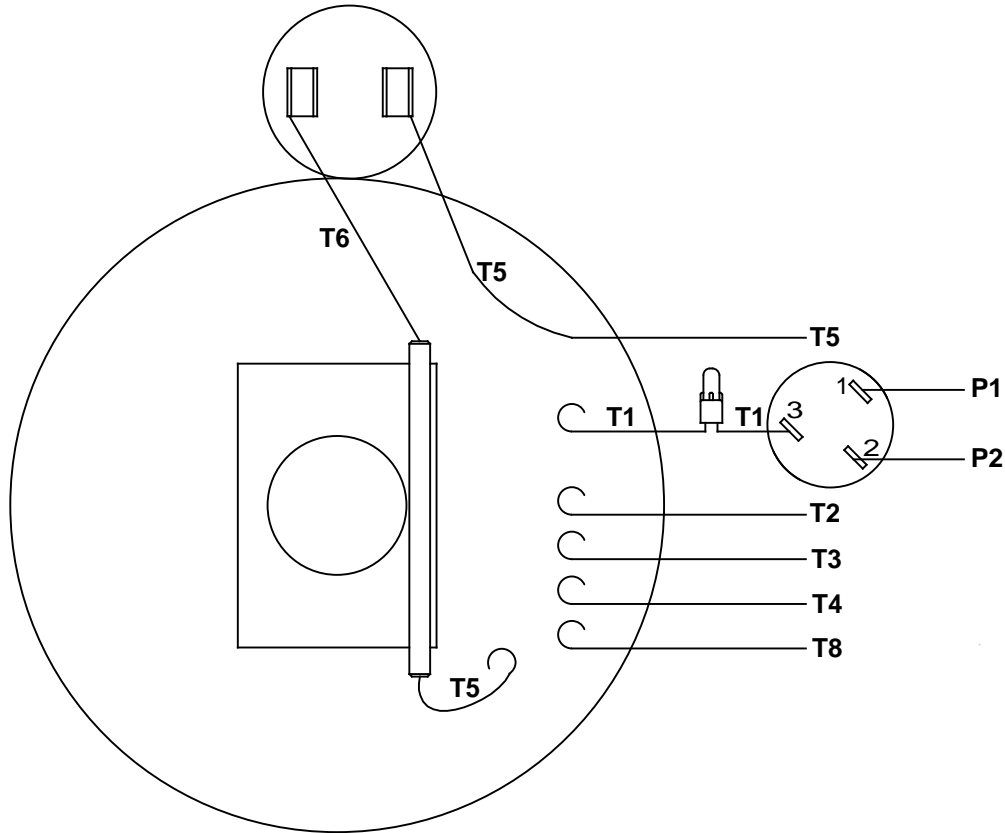
ORACLE REV	02
------------	----

DRAWING REVISION D	REVISION BY M. MCCAULEB	DATE 8/4/14
ECO ECO-0056788	APPROVED BY G. SCHALLOCK	DATE 8/4/14
ECO DESCRIPTION ADDED T-BOLT NUTS		
<small>COPYRIGHT REGAL BELOIT AMERICA, INC. ALL RIGHTS RESERVED. PROPRIETARY AND CONFIDENTIAL INFORMATION - THIS DOCUMENT IS THE PROPERTY OF REGAL BELOIT AMERICA, INC. (OWNER) AND CONTAINS OWNERS PROPRIETARY INFORMATION. ANY PERSON, CORPORATION OR OTHER FIRM RECEIVING IT IS DEEMED, BY RECEIVING IT, TO AGREE THAT IT, AND/OR ANY PART OF IT, SHALL NOT BE DISCLOSED TO ANY PERSON, CORPORATION OR OTHER ENTITY, DUPLICATED, AND/OR USED, EXCEPT AS EXPRESSLY APPROVED IN WRITING IN ADVANCE BY OWNER. THIS DOCUMENT SHALL BE RETURNED TO OWNER UPON REQUEST. IT MAY BE SUBJECT TO CERTAIN RESTRICTIONS UNDER APPLICABLE EXPORT CONTROL LAWS AND REGULATIONS.</small>		

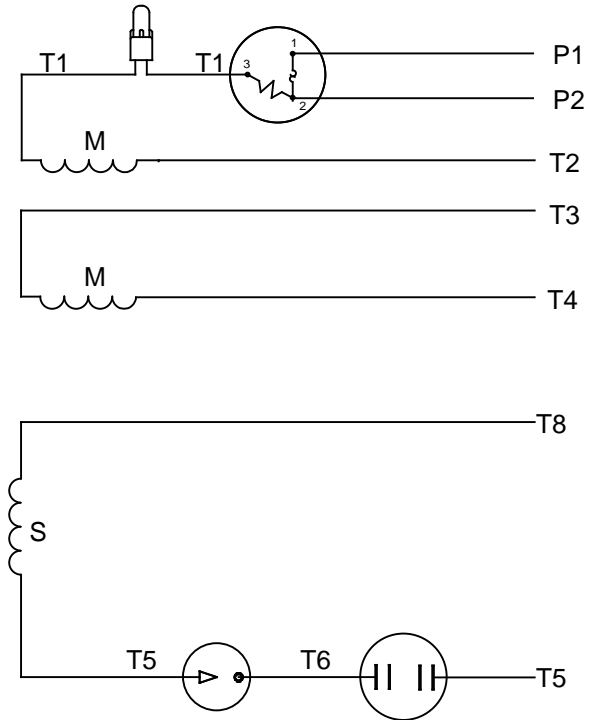
TOLERANCES UNLESS OTHERWISE SPECIFIED:			
DEC.	INCH	mm	ANGLE
X	+0.1	[±2.5]	±0.5°
XX	+0.03	[±0.76]	
XXX	+0.005	[±0.127]	
XXXX	+0.0005	[±0.0127]	
REMOVE BURRS & BREAK SHARP EDGES: .003/.015 [076/381] CORNER FILLETS: .02 [51] MACHINED SURFACES: 125/3.2 INCH/mm THIRD ANGLE PROJECTION			

DRAWN BY KMM 09/11/07	REGAL™ Regal Beloit America, Inc.	
DATE	DESCRIPTION OUTLINE TEFC - RIGID - 56 FRAME	
APPROVED BY	MATERIAL	PROCESS/FINISH GENERAL PURPOSE
DATE	SIZE B	DRAWING NUMBER 028793
REFERENCE	THIRD ANGLE PROJECTION	SHEET 1 OF 1

VIEW FROM OUTSIDE OF MOTOR AT SWITCH END



LINE LEADS



RBC PROPRIETARY AND CONFIDENTIAL INFORMATION
 This document is the property of REGAL BELOIT CORPORATION ("RBC") including its subsidiaries and divisions and contains proprietary information of RBC. This document is loaned on the express condition that neither it nor the information contained therein shall be disclosed to others without the express written consent of RBC, and that the information shall be used by the recipient only as approved expressly by RBC. This document shall be returned to RBC upon its request. This document may be subject to certain restrictions under U.S. export control laws and regulations.

	ROTATION FACING LEAD END	L1	L2	JOIN	INSULATE SEPARATELY
HIGH VOLT	C.C.W.	P1	T4 T5	T2,T3 T8	P2
	C.W.	P1	T4 T8	T2,T3 T5	P2
LOW VOLT	C.C.W.	P1	T2,T4 T5	P2,T3 T8	---
	C.W.	P1	T2,T4 T8	P2,T3 T5	---

		TOLERANCES UNLESS SPECIFIED		LEESON	ELECTRIC MOTORS GEARMOTORS AND DRIVES	DRAWN		
		DEC	INCHES			WLV	08/20/79	
		.X	±.1			CHK	ADN	08/27/76
		.XX	±.01			APPR	WRK	08/27/76
06	REDRAWN IN SOLIDWORKS	VJB	7/22/2011	.XXX	±.005	TITLE	EXTERNAL WIRING DIAGRAM TYPE "C" W/PROTECTOR	
05	REDRAWN ON CAD	DBT	05/27/97	.XXXX	±.0005	MAT'L	DECAL - 004011	
NO	REVISION	BY & DATE	CHK	ANG	±1/2°	FINISH	SCALE	1:1
			RFP	PREV		REF	FMF	
			NETWORK FILE NAME	00500303		PAGE	OF	
	THIRD ANGLE PROJECTION					SIZE	DRAWING NO	REV
						A	005003-03	06



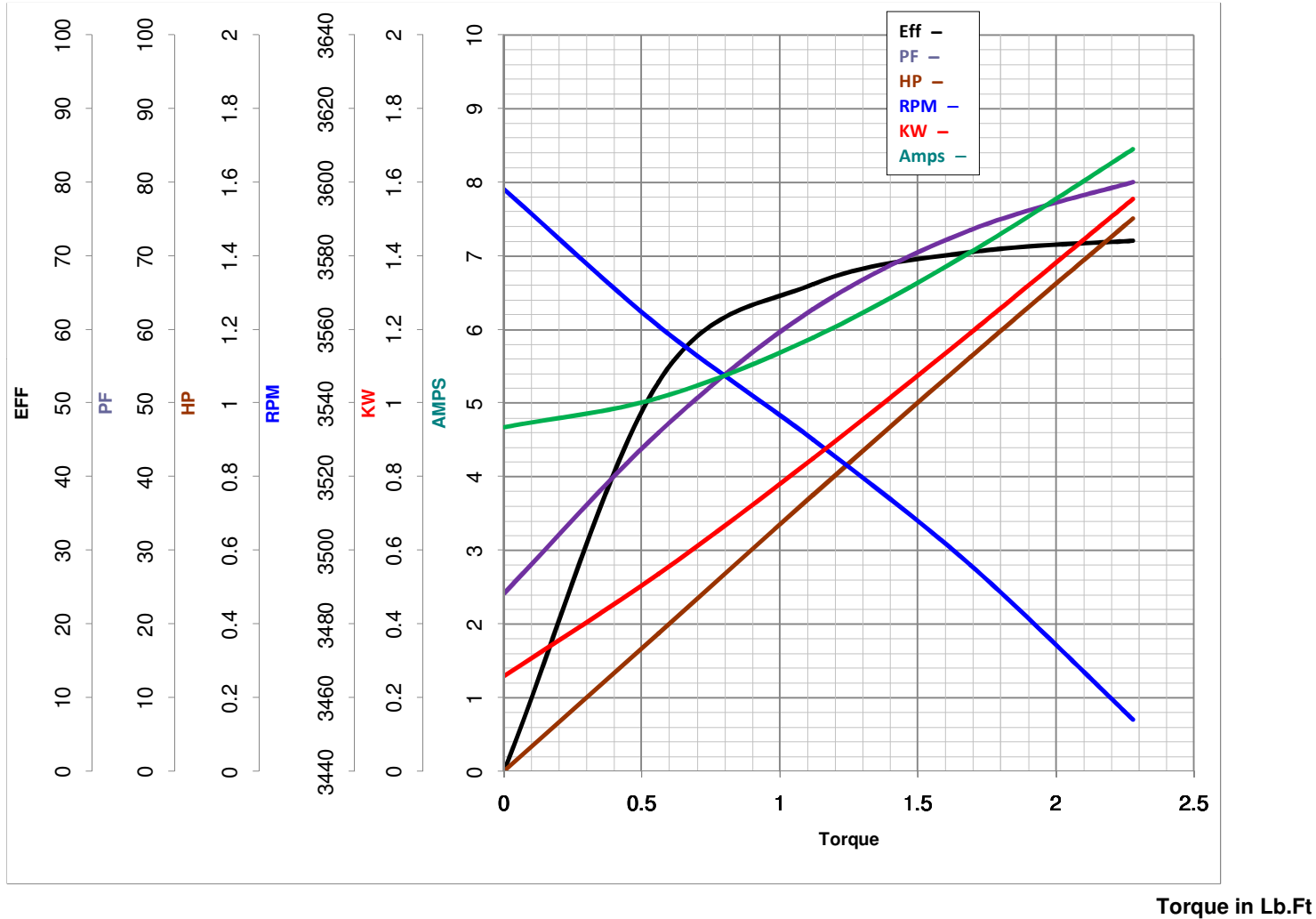
LEESON ELECTRIC CORPORATION TYPICAL PERFORMANCE CURVE for AC MOTOR

Model No 110109.00

Curve at 230 Volts HP 1.50 PHASE 1
60 HZ
1.5 HP VOLTS 115/208-230

Catalog No 110109.00

HZ 60 RPM 3450



FL TORQUE 2.28 Lb.Ft
BD TORQUE 5.6 Lb.Ft
LR TORQUE 5.5 Lb.Ft

FL AMPS 17/9-8.5
PU TORQUE 5.3 Lb.Ft
LR AMPS 46

WINDING C632212-3

Date 3/23/2018