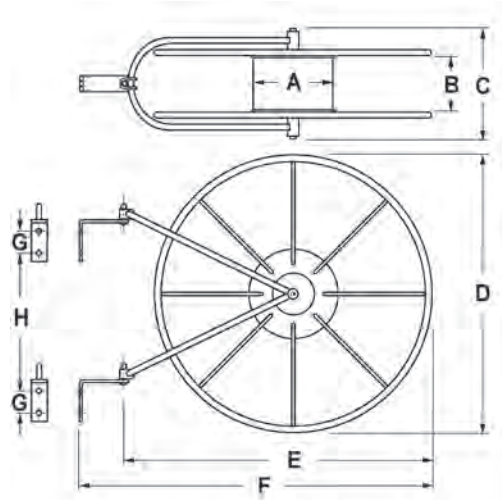


Style V Swing Type Hose Storage Reels

Features:

- drum storage of collapsible hose prevents damaging kinks allowing longer hose life
- pivot mounting permits reel to swing to the proper angle preventing twists and kinks
- open sides allow faster hose drying, to prevent mold and mildew
- red polyester powder coat finish
- wall mounting is standard, 2 wall mounting brackets included
- style V5 (when used with 1½" hose only), has a space between the reel sides to accommodate two widths of hose side by side, for maximum capacity in minimum space



Swing Wall Reels

| Size | Steel Part # | Hose Capacity | | | A | B | C | D | E | F | G | H | Price/E |
|-----------|---------------|---------------|--------|--------|----|-----|-----|-----|-----|-----|----|---------|-----------------|
| | | Rack | Single | Double | | | | | | | | | |
| 1½" - 1¾" | FHR-V1 | 100' | 75' | 50' | 8" | 3" | 7½" | 21" | 23" | 27" | 2" | 11-3/8" | \$250.00 |
| 1½" - 1¾" | FHR-V2 | 150' | 100' | 75' | 8" | 3" | 7½" | 26" | 29" | 33" | 2" | 15" | 250.00 |
| 1½" | FHR-V5 | 300' | 200' | 150' | 8" | 5½" | 9½" | 26" | 30" | 34" | 2" | 13" | 282.00 |
| 2" - 2½" | FHR-V5 | 150' | 100' | 75' | 8" | 5½" | 9½" | 26" | 30" | 34" | 2" | 13" | 282.00 |

- replacement brackets for above reels - **1212-0930-4**, 2 per set

P

Style V Swing Type Hose Storage Reel Covers



Features:

- fluorescent red vinyl coated nylon with Velcro™ closures
- printed on both sides

| Cover for | Fits Hose Reel Dimensions | Vinyl Part # | Price/E |
|-----------|---------------------------|---------------|----------------|
| FHR-V2 | 26" | FHR-C | \$64.45 |
| FHR-V1 | 21" | FHR-C1 | 62.50 |
| FHR-V5 | 26" | HSRC26 | 66.30 |