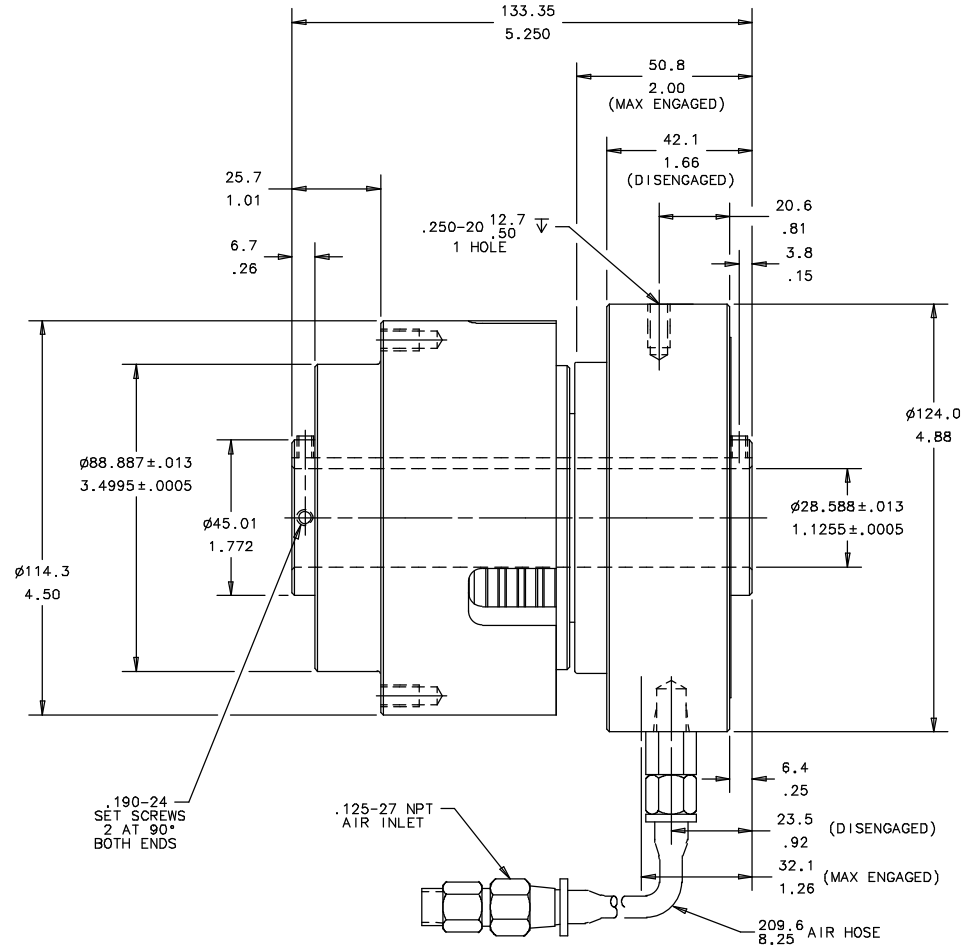
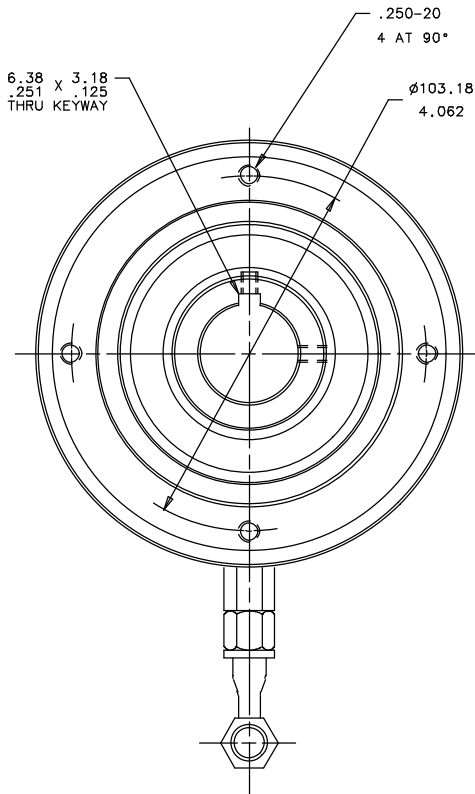


B-923500S



GEOMETRIC TOLERANCE VALUES		THIRD ANGLE PROJECTION																	
MM	INCH																		
.013	.0005	<table border="1"> <thead> <tr> <th colspan="2">SURFACE ROUGHNESS VALUES</th> </tr> <tr> <th>µm</th> <th>µin</th> </tr> </thead> <tbody> <tr> <td>6.3</td> <td>250</td> </tr> <tr> <td>3.2</td> <td>125</td> </tr> <tr> <td>1.6</td> <td>63</td> </tr> <tr> <td>0.8</td> <td>32</td> </tr> <tr> <td>0.4</td> <td>16</td> </tr> <tr> <td>0.2</td> <td>8</td> </tr> </tbody> </table>		SURFACE ROUGHNESS VALUES		µm	µin	6.3	250	3.2	125	1.6	63	0.8	32	0.4	16	0.2	8
SURFACE ROUGHNESS VALUES																			
µm	µin																		
6.3	250																		
3.2	125																		
1.6	63																		
0.8	32																		
0.4	16																		
0.2	8																		
.03	.001																		
.05	.002																		
.08	.003																		
.13	.005																		
.20	.008																		
.25	.010																		
.38	.015																		

- UNLESS OTHERWISE SPECIFIED
1. SURFACE TEXTURE: ✓
 2. METRIC TOLERANCES: X ± 0.8; .X ± 0.5; .XX ± 0.13
INCH TOLERANCES: .XX ± .02; .XXX ± .005
 3. ANGLES ± .5°
 4. PRIMARY DIMENSIONS ARE IN MM
SECONDARY DIMENSIONS ARE IN INCHES
 5. REMOVE ALL BURRS AND SHARP EDGES
 6. DO NOT SCALE DWG - WORK TO DIMS
 7. PART MUST CONFORM TO ENGINEERING STANDARD WORK INSTRUCTIONS

nexen™ Nexen Group, Inc.

TITLE GENERAL DIMENSIONS

MODEL 4H35P, 1.125" BORE, PILOT MOUNT

MATL	A	14486	04-26-00
MATL #	REV	ECO	ERO
DWN	DJG	DATE	02-23-00
CHKD	CDV	DATE	03-27-00
APVD	AM	DATE	04-26-00
SCALE: NONE		WAS	
SHEET 1 OF 1			REV
B-923500S			A