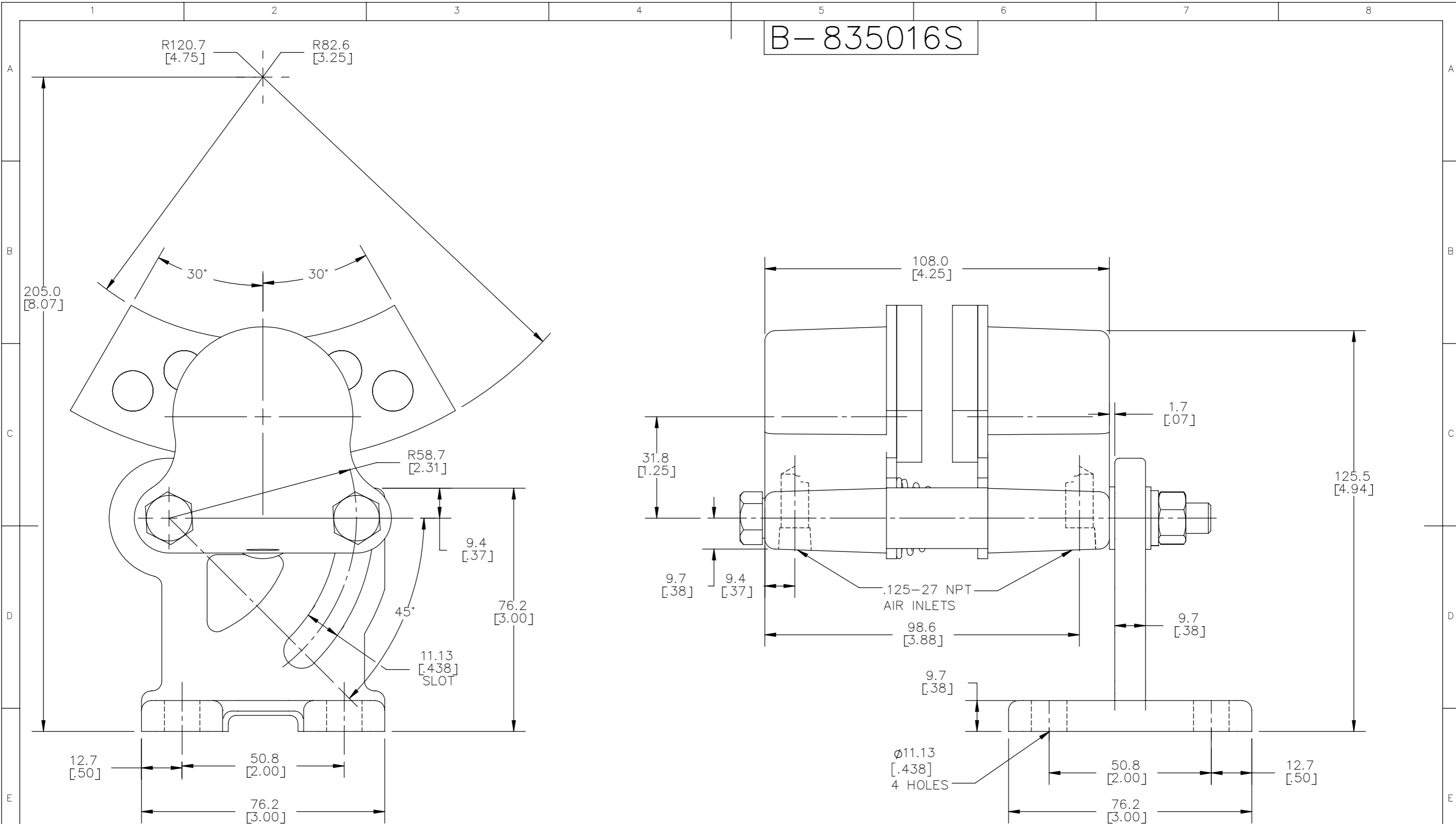


# B-835016S



GEOMETRIC TOLERANCE VALUES		THIRD ANGLE PROJECTION	
MM	INCH		
.013	.0005		
.03	.001		
.05	.002	SURFACE ROUGHNESS VALUES	
.08	.003	μm	μin
.13	.005	6.3	250
.20	.008	3.2	125
.25	.010	1.6	63
.38	.015	0.8	32
		0.4	16
		0.2	8

**UNLESS OTHERWISE SPECIFIED**

- METRIC TOLERANCES: X ±0.8; .X ±0.5; .XX ±0.13  
INCH TOLERANCES: .XX ±.02; .XXX ±.005
- ANGLES ±.5°
- PRIMARY DIMENSIONS ARE IN MM  
SECONDARY DIMENSIONS ARE IN INCHES
- DO NOT SCALE DWG - WORK TO DIMS
- PRODUCT MUST CONFORM TO ENGINEERING STANDARD WORK INSTRUCTIONS

**nexen** Nexen Group, Inc.

TITLE GENERAL DIMENSIONS

MODEL DB\*CALIPER,LESS DISC,ULTRA LCO

44277	20562	12/3/2014
ERO	ECO	DATE

DWN	TRW	DATE 6/17/2011	SCALE: 7:8 <input checked="" type="checkbox"/>	SHEET 1 OF 1
CHKD	TGH	DATE 6/17/2011	B-835016S	REV
APVD	CDV	DATE 6/17/2011		E