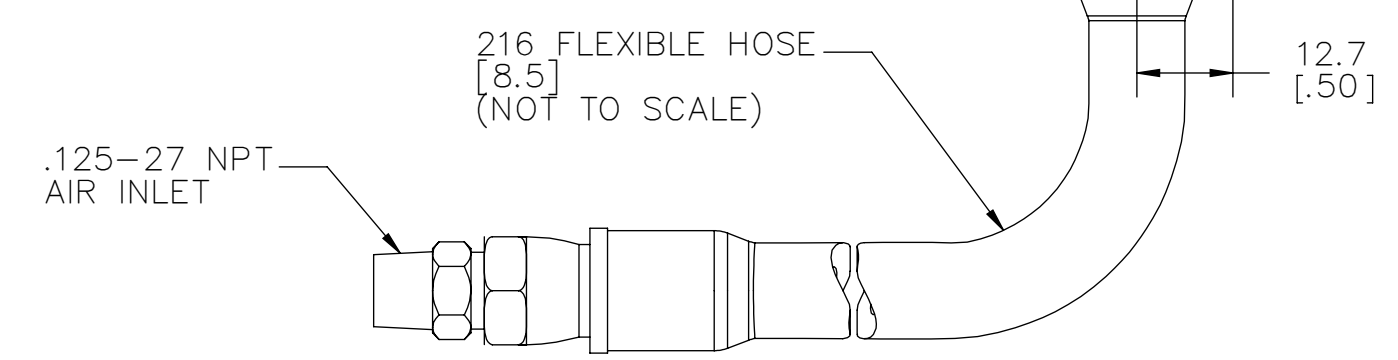
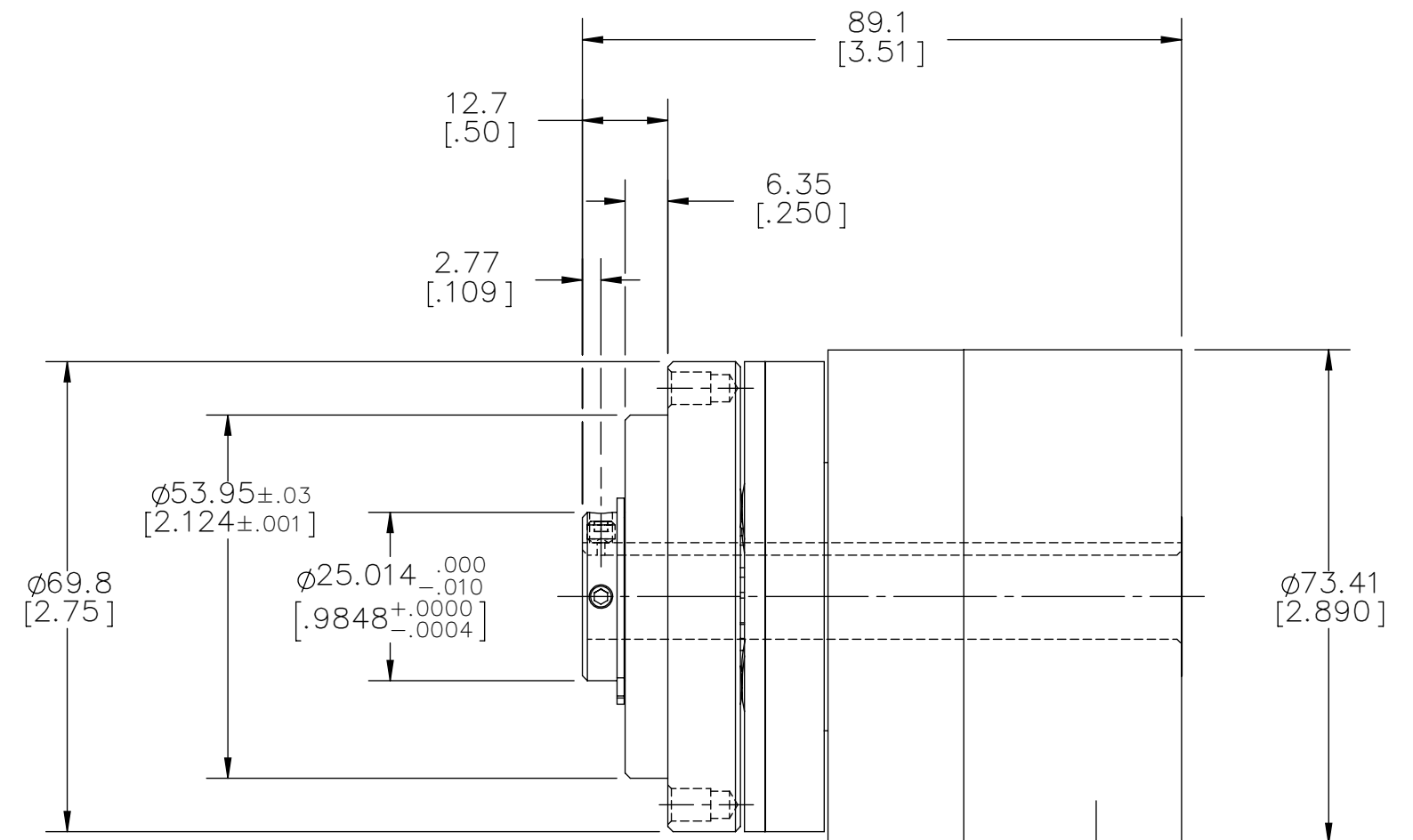
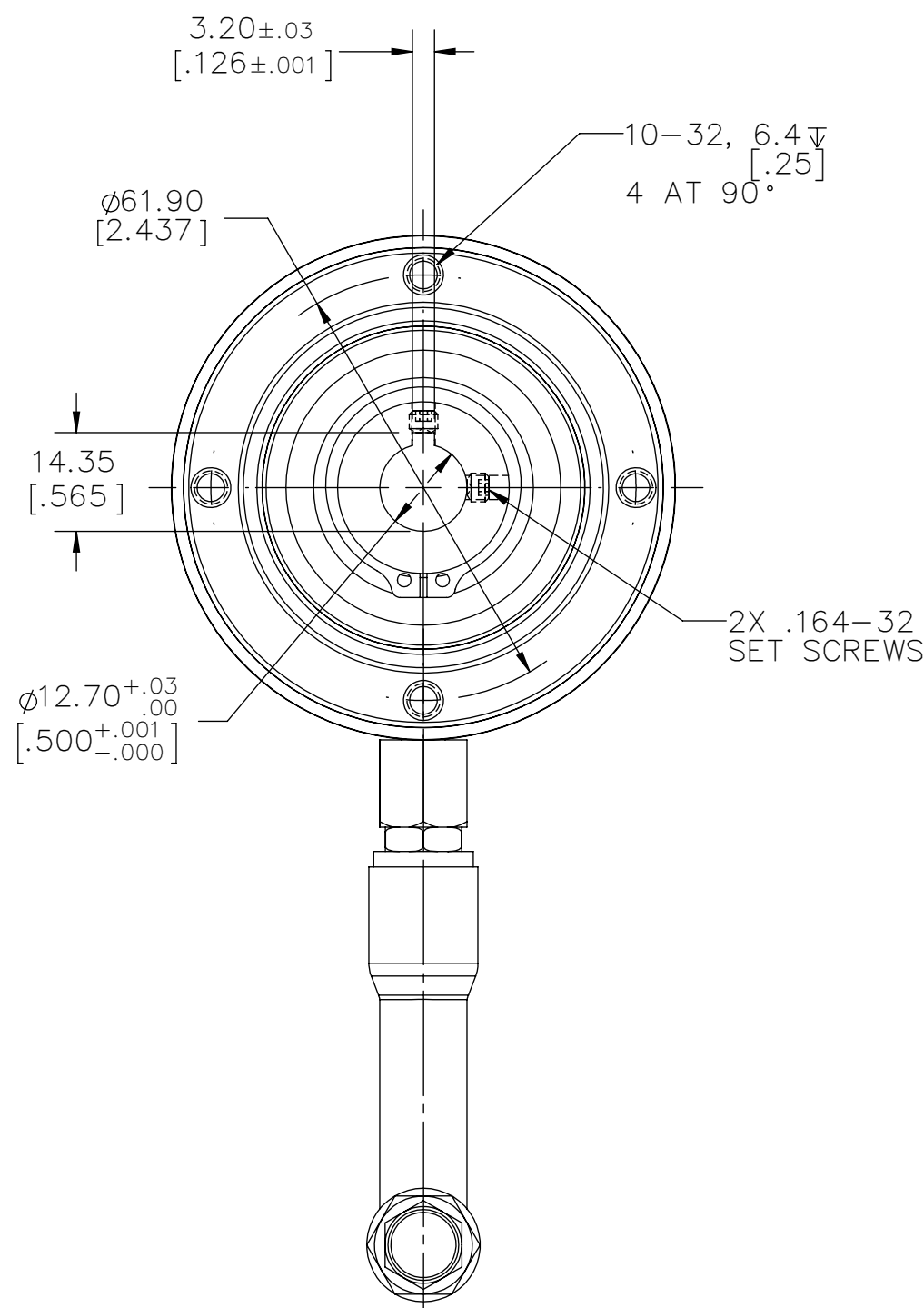


# B-802871S



GEOMETRIC TOLERANCE VALUES		THIRD ANGLE PROJECTION	
MM	INCH		
.013	.0005	SURFACE ROUGHNESS VALUES $\mu\text{m}$ $\mu\text{in}$	
.03	.001		
.05	.002	6.3	250
.08	.003	3.2	125
.13	.005	1.6	63
.20	.008	0.8	32
.25	.010	0.4	16
.38	.015	0.2	8

UNLESS OTHERWISE SPECIFIED

- METRIC TOLERANCES: X  $\pm 0.8$ ; .X  $\pm 0.5$ ; .XX  $\pm 0.13$
- INCH TOLERANCES: .XX  $\pm 0.02$ ; .XXX  $\pm 0.005$
- ANGLES  $\pm 5^\circ$
- PRIMARY DIMENSIONS ARE IN MM  
SECONDARY DIMENSIONS ARE IN INCHES
- DO NOT SCALE DWG - WORK TO DIMS
- PRODUCT MUST CONFORM TO ENGINEERING STANDARD WORK INSTRUCTIONS

**nexen** Nexen Group, Inc.

TITLE GENERAL DIMENSIONS			
MODEL B-275*0.500,PILOT MOUNT			
		20568	12/5/2014
		ERO	ECO
		DATE	
DWN	TGH	DATE 8/4/2011	SCALE: 1:1 <input checked="" type="checkbox"/>
CHKD	CDV	DATE 8/5/2011	SHEET 1 OF 1
APVD	IKK	DATE 8/5/2011	REV E
			<b>B-802871S</b>